



US00D475269S

(12) **United States Design Patent**
Matern

(10) **Patent No.:** **US D475,269 S**

(45) **Date of Patent:** **** Jun. 3, 2003**

(54) **HANDWHEEL**

(75) Inventor: **Gerard J. Matern**, Waterloo (CA)

(73) Assignee: **Leggett & Platt Ltd.**, Waterloo (CA)

(**) Term: **14 Years**

(21) Appl. No.: **29/157,144**

(22) Filed: **Mar. 14, 2002**

(51) **LOC (7) Cl.** **08-06**

(52) **U.S. Cl.** **D8/312**

(58) **Field of Search** D8/300, 307, 310,
D8/312; 297/463.1; 292/347; 116/309, 319,
DIG. 29; 16/110.1, 412, 414-420, 441,
443-446

(56) **References Cited**

U.S. PATENT DOCUMENTS

D328,559 S *	8/1992	Wilson	D8/312
D398,214 S *	9/1998	Yui	D8/312
D424,401 S *	5/2000	Zierner	D8/312
6,352,308 B1 *	3/2002	Chen	297/344.21

* cited by examiner

Primary Examiner—B. J. Bullock

(74) *Attorney, Agent, or Firm*—Shook, Hardy & Bacon L.L.P.

(57) **CLAIM**

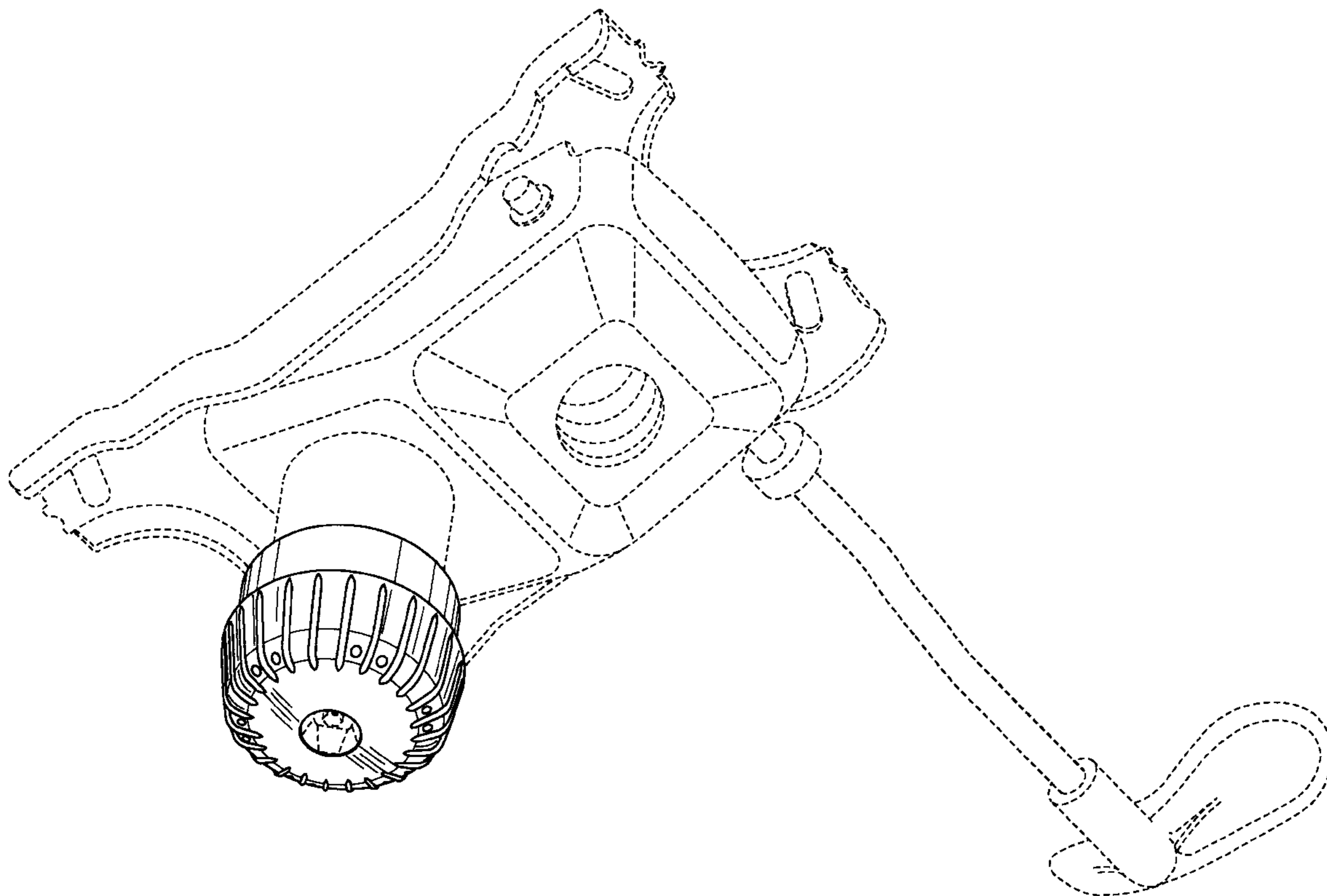
The ornamental design for a handwheel, as shown and described.

DESCRIPTION

FIG. 1 is a left side bottom perspective view of the handwheel;
FIG. 2 is an inside top perspective view of the handwheel;
FIG. 3 is a bottom view of the handwheel;
FIG. 4 is a top view of the handwheel; and,
FIG. 5 is a left side view of the handwheel.

The broken lines shown in FIG. 1 are for environment purposes only and form no part of the claimed design. The broken lines shown in FIGS. 2 and 4 are not part of the design as claimed.

1 Claim, 2 Drawing Sheets



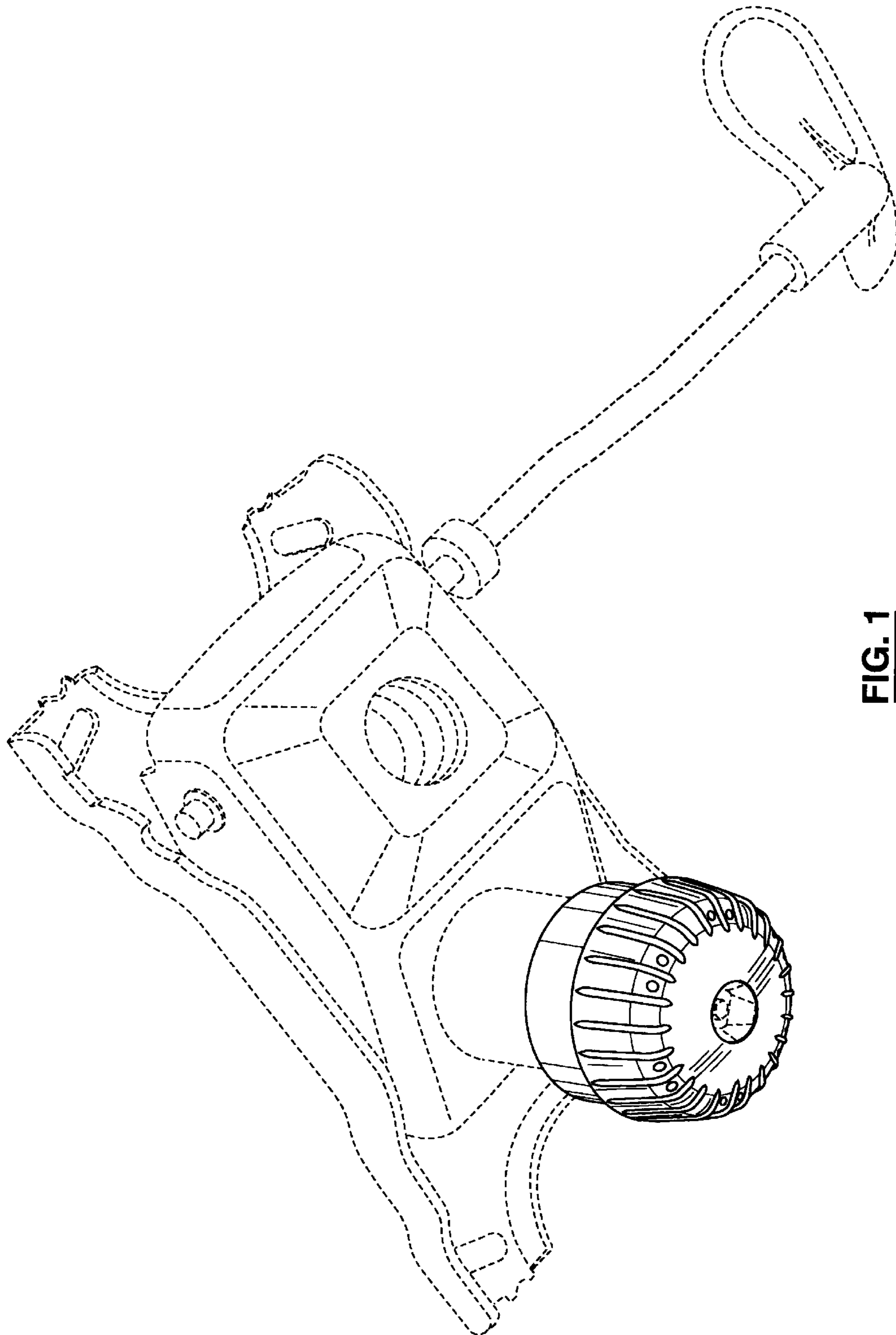


FIG. 1

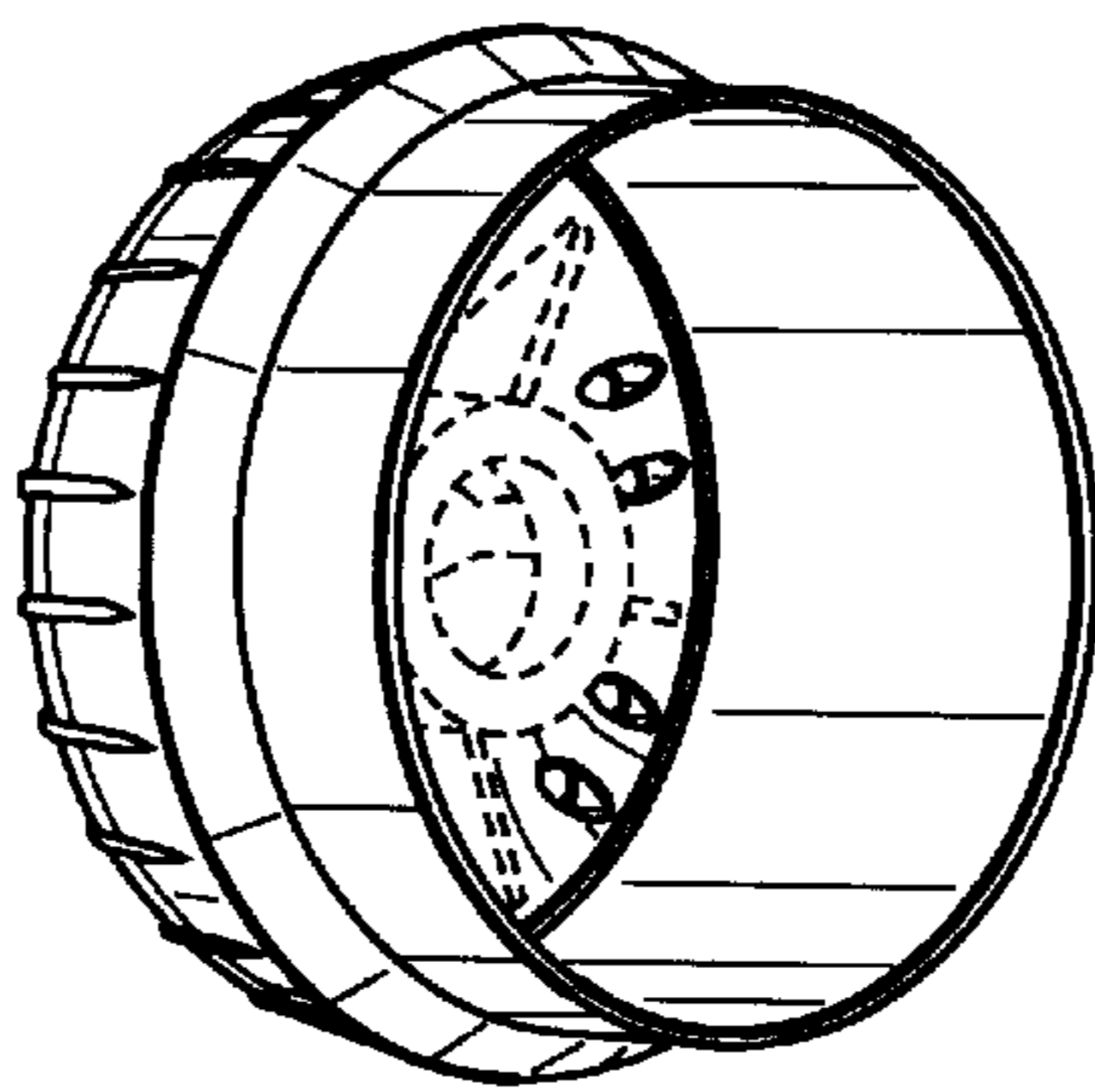


FIG. 2

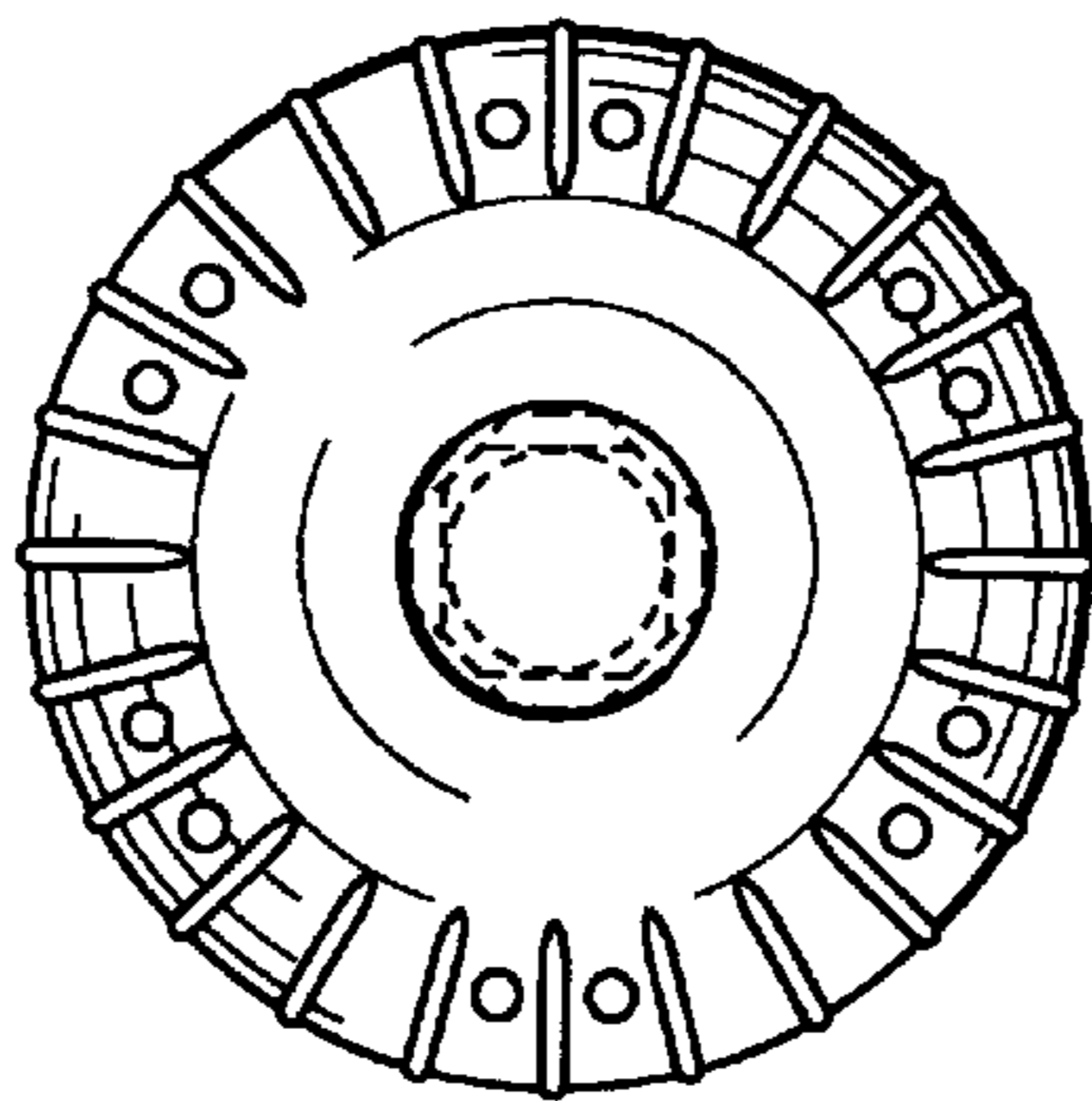


FIG. 3

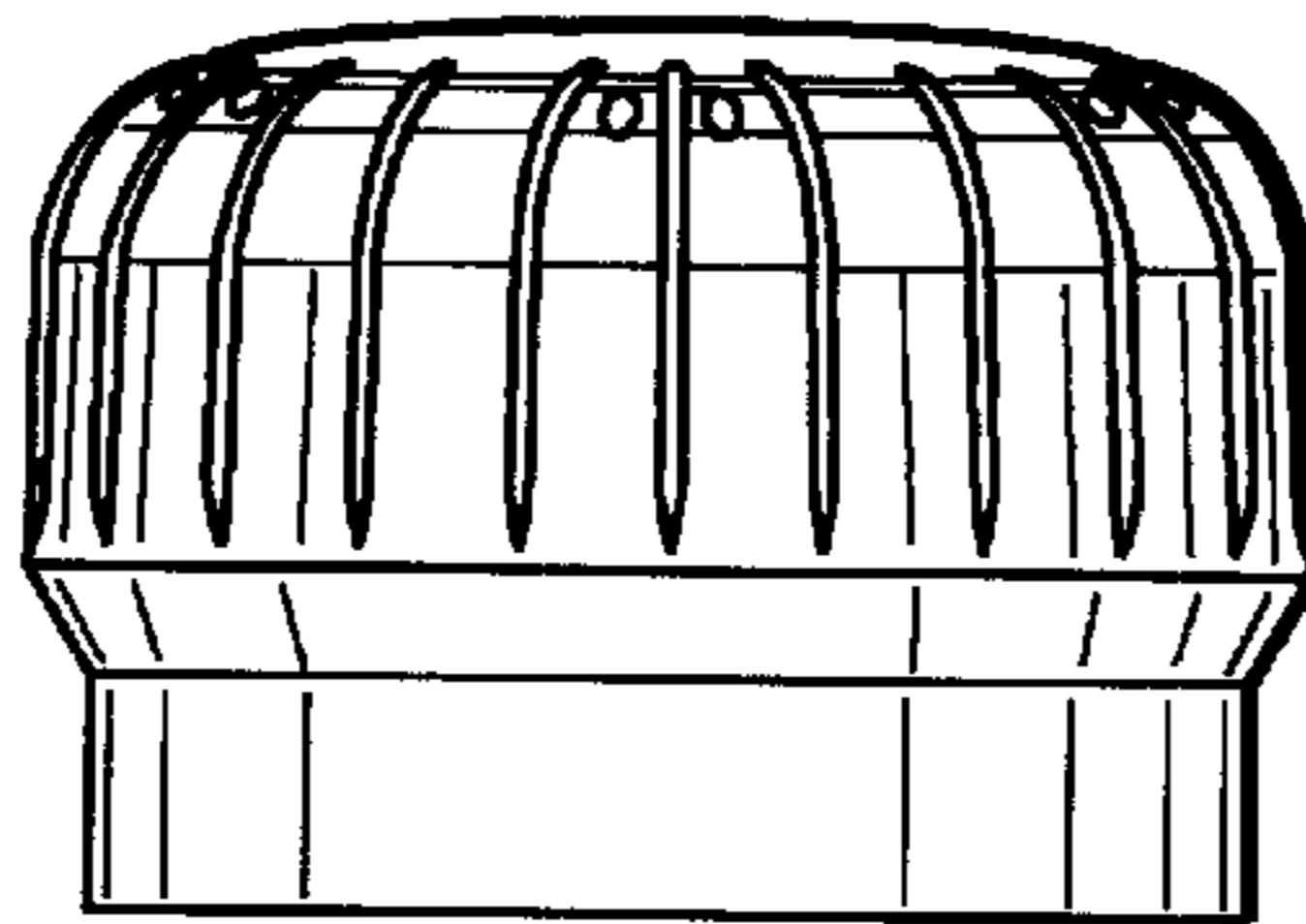


FIG. 4

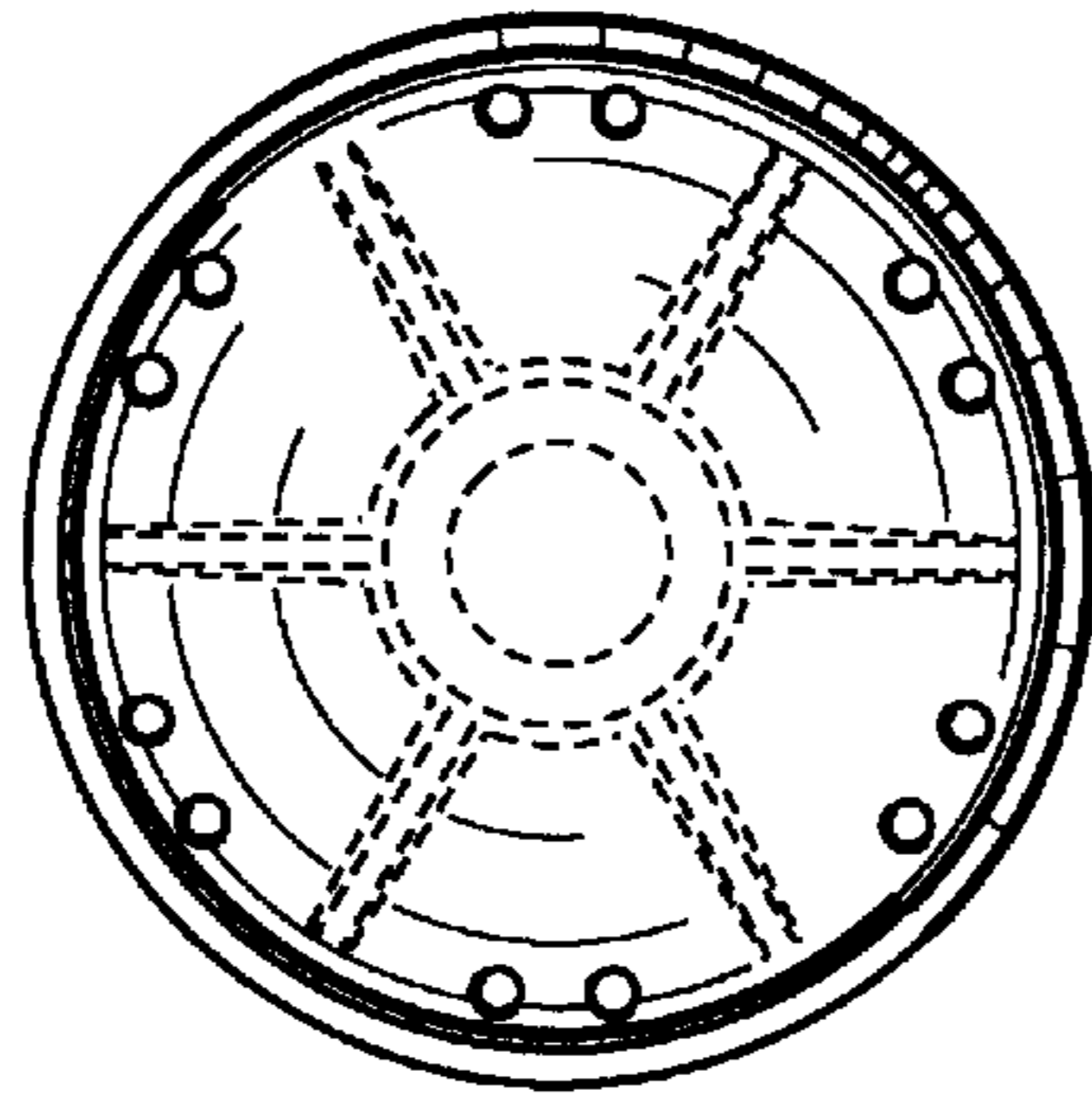


FIG. 5