



US00D475267S

(12) **United States Design Patent**  
**Bradfield et al.**

(10) **Patent No.:** **US D475,267 S**

(45) **Date of Patent:** **\*\* Jun. 3, 2003**

(54) **TILE CUTTER**

6,439,218 B1 \* 8/2002 Hulett ..... 125/13.01

(75) Inventors: **Iain Bradfield**, Spixworth (GB); **Paul Steabben Hepworth**, Guildford (GB)

\* cited by examiner

(73) Assignee: **Turner Intellectual Property Limited** (GB)

*Primary Examiner*—Philip S. Hyder

(74) *Attorney, Agent, or Firm*—Thomas J. Nikolai; Nikolai & Mersereau, P.A.

(\*\*) Term: **14 Years**

(57) **CLAIM**

(21) Appl. No.: **29/155,685**

The ornamental design for a tile cutter, as shown and described.

(22) Filed: **Feb. 12, 2002**

**DESCRIPTION**

(30) **Foreign Application Priority Data**

Aug. 13, 2001 (GB) ..... 2103998

(51) **LOC (7) Cl.** ..... **08-03**

(52) **U.S. Cl.** ..... **D8/98; D8/51; D15/133**

(58) **Field of Search** ..... **D8/98, 51; D15/127, D15/133; 125/13.01; 83/468.3, 468.7, 477, 477.2, 478**

FIG. 1 is a top plan view of a tile cutter showing the new design;

FIG. 2 is a bottom plan view thereof;

FIG. 3 is a rear elevational view thereof;

FIG. 4 is a front elevational view thereof;

FIG. 5 is a right side view thereof;

FIG. 6 is a left side view thereof;

FIG. 7 is a right side perspective view thereof;

FIG. 8 is a left side perspective view thereof;

FIG. 9 is a rear perspective view thereof;

FIG. 10 is a front perspective view thereof;

FIG. 11 is a bottom perspective view from the right side; and,

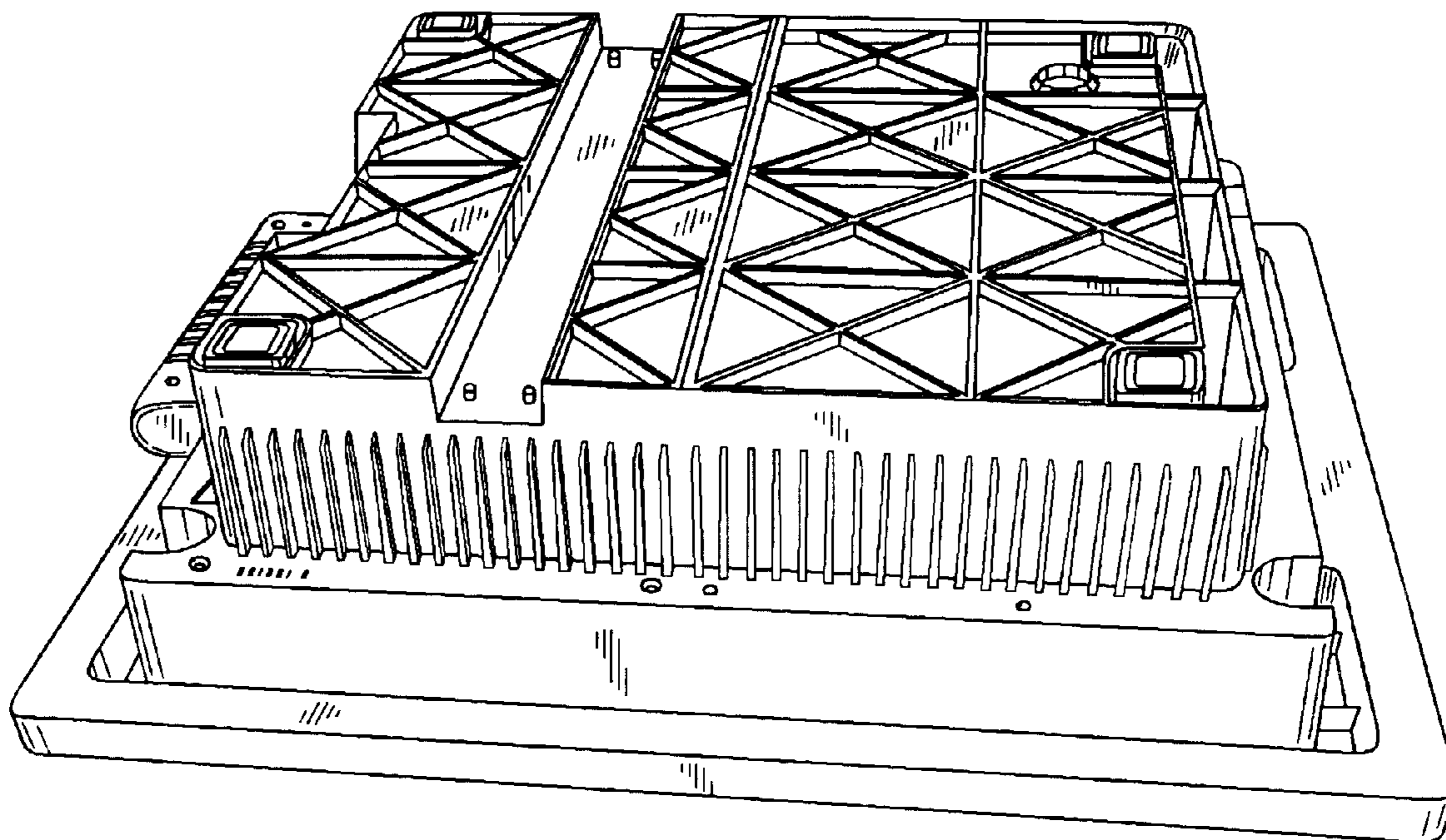
FIG. 12 is a bottom perspective view from the left side thereof.

(56) **References Cited**

**U.S. PATENT DOCUMENTS**

- D354,757 S \* 1/1995 Wixey ..... D15/133
- D377,654 S \* 1/1997 Jedlicka et al. .... D15/133
- D400,896 S \* 11/1998 Hepworth ..... D15/127
- D427,213 S \* 6/2000 Chen ..... D15/127
- D453,345 S \* 2/2002 Chen ..... D15/133

**1 Claim, 8 Drawing Sheets**



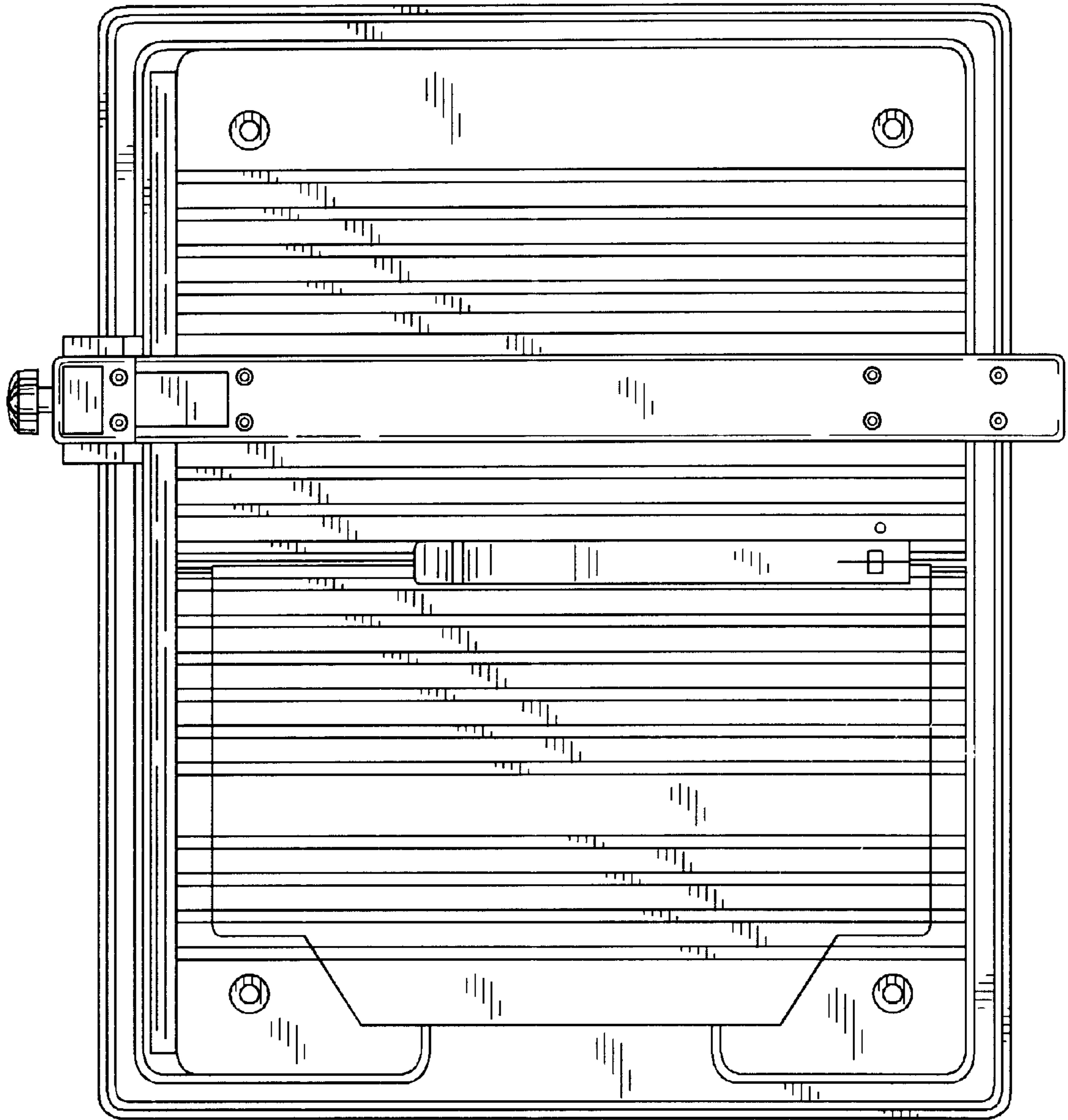


FIG. 1

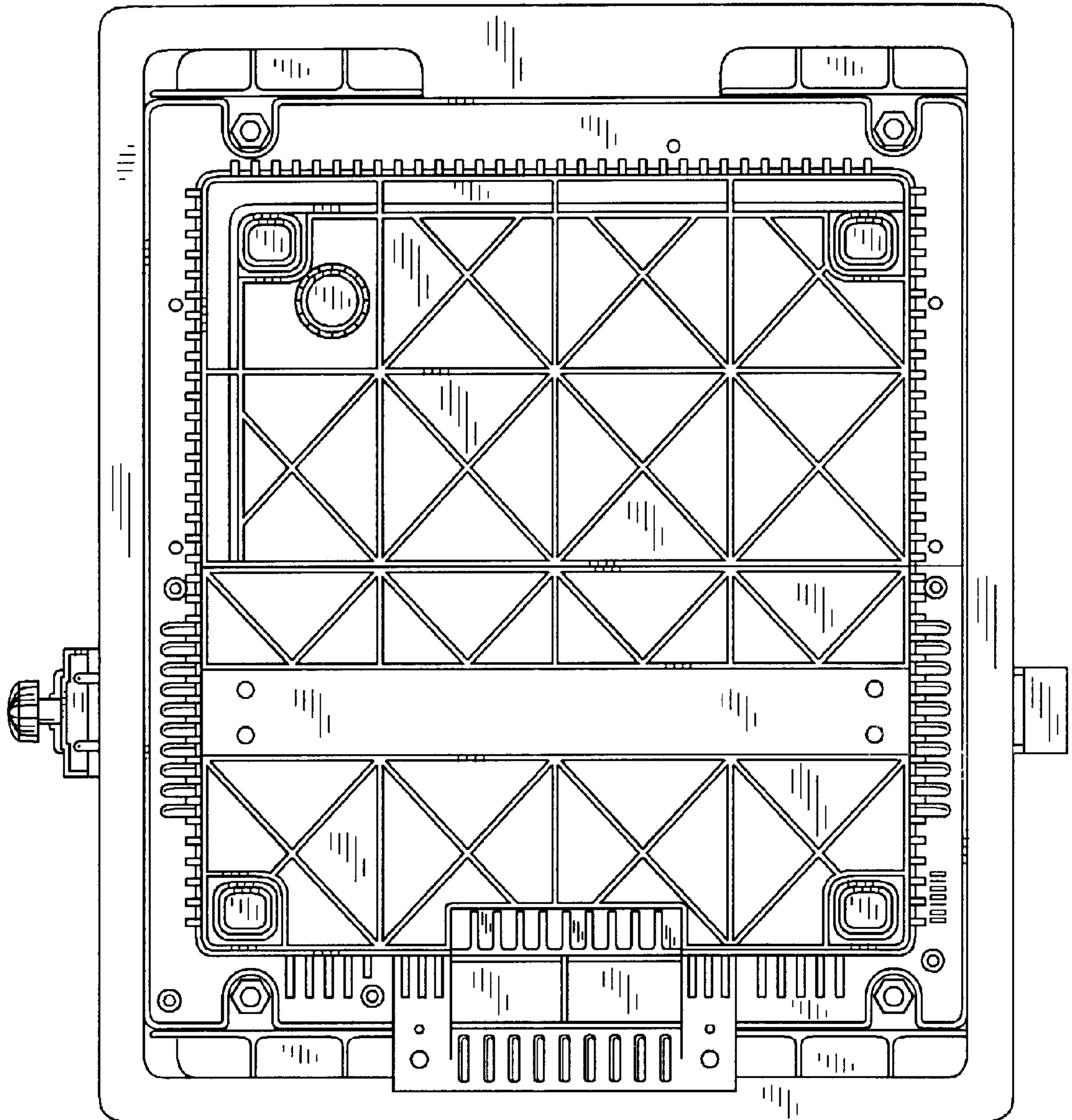
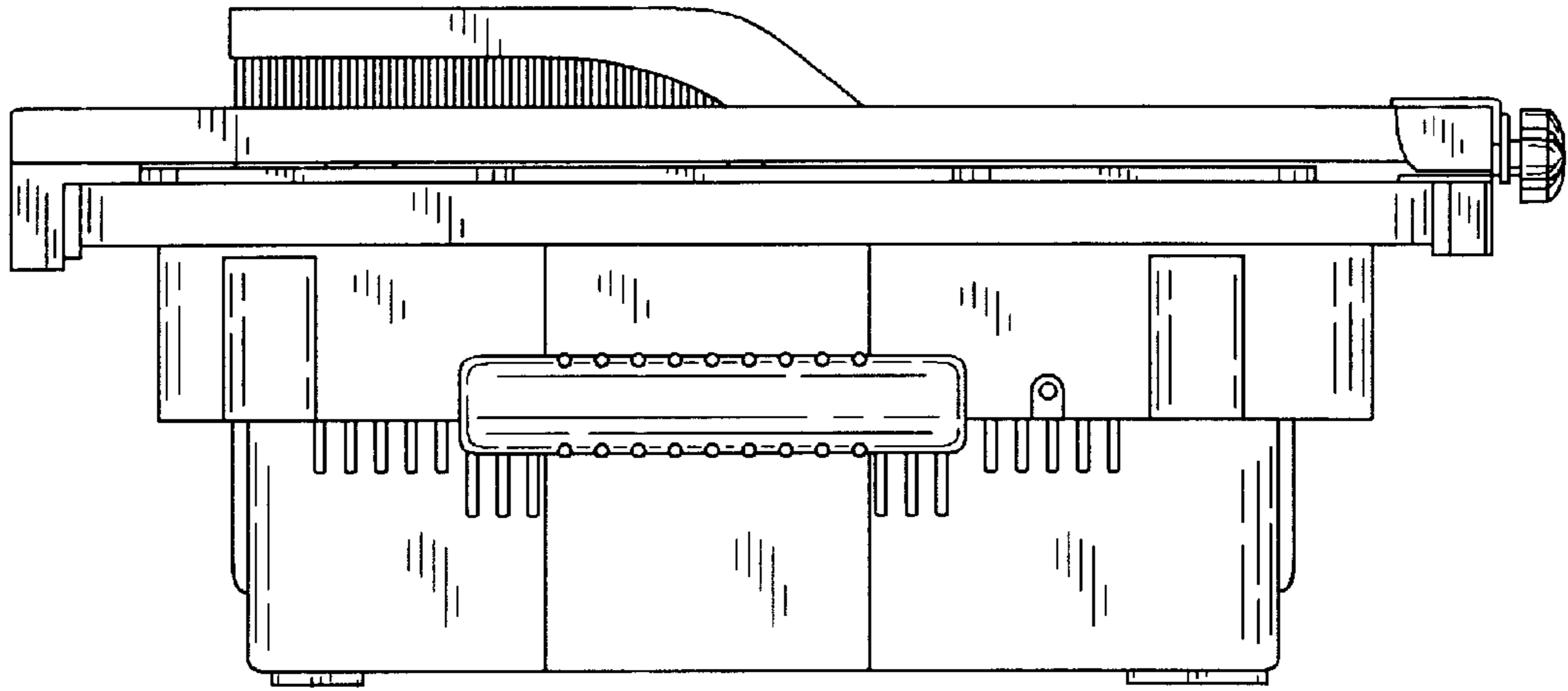
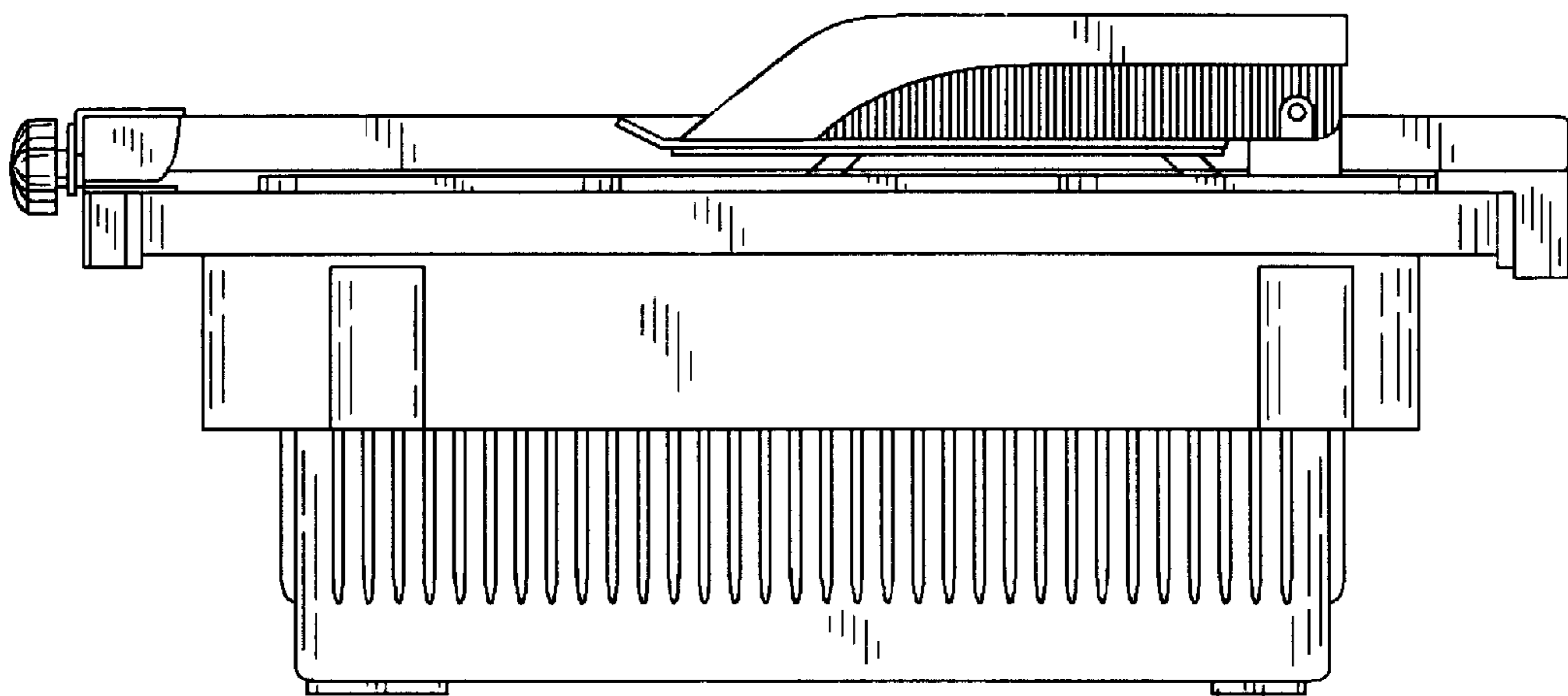


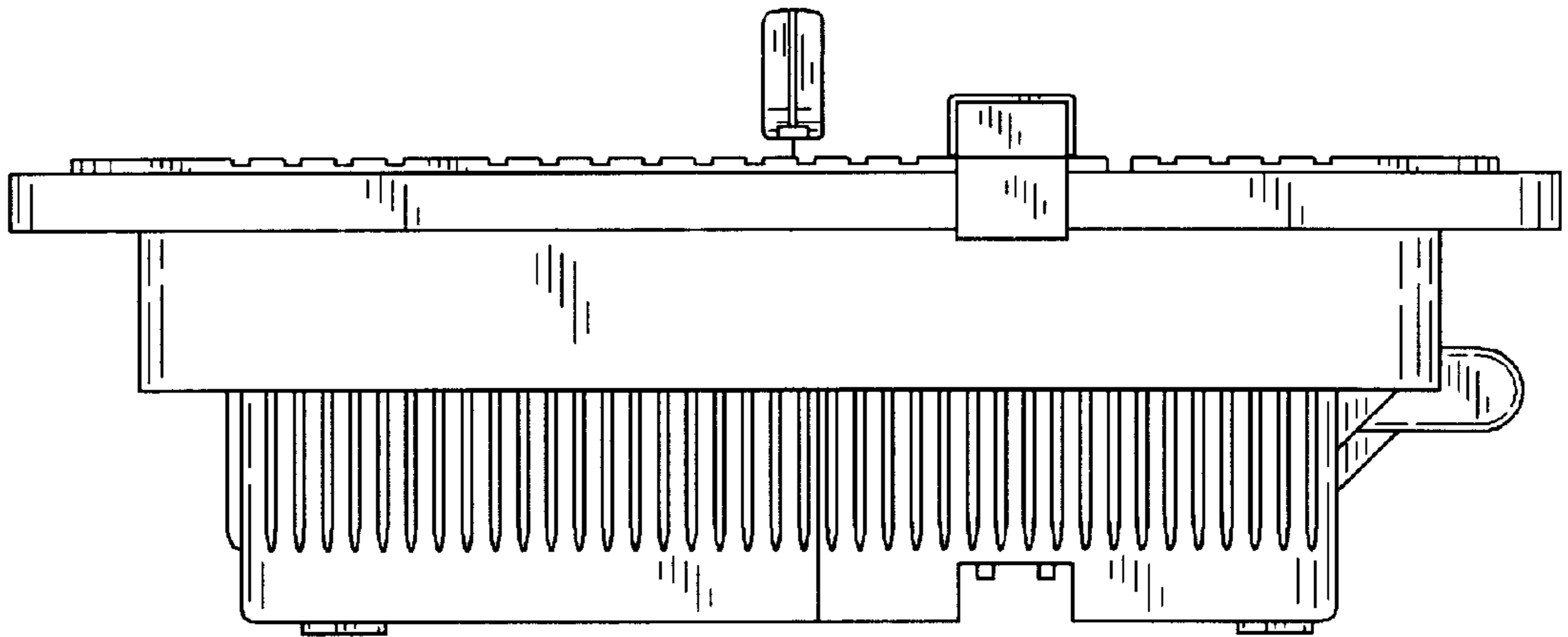
FIG. 2



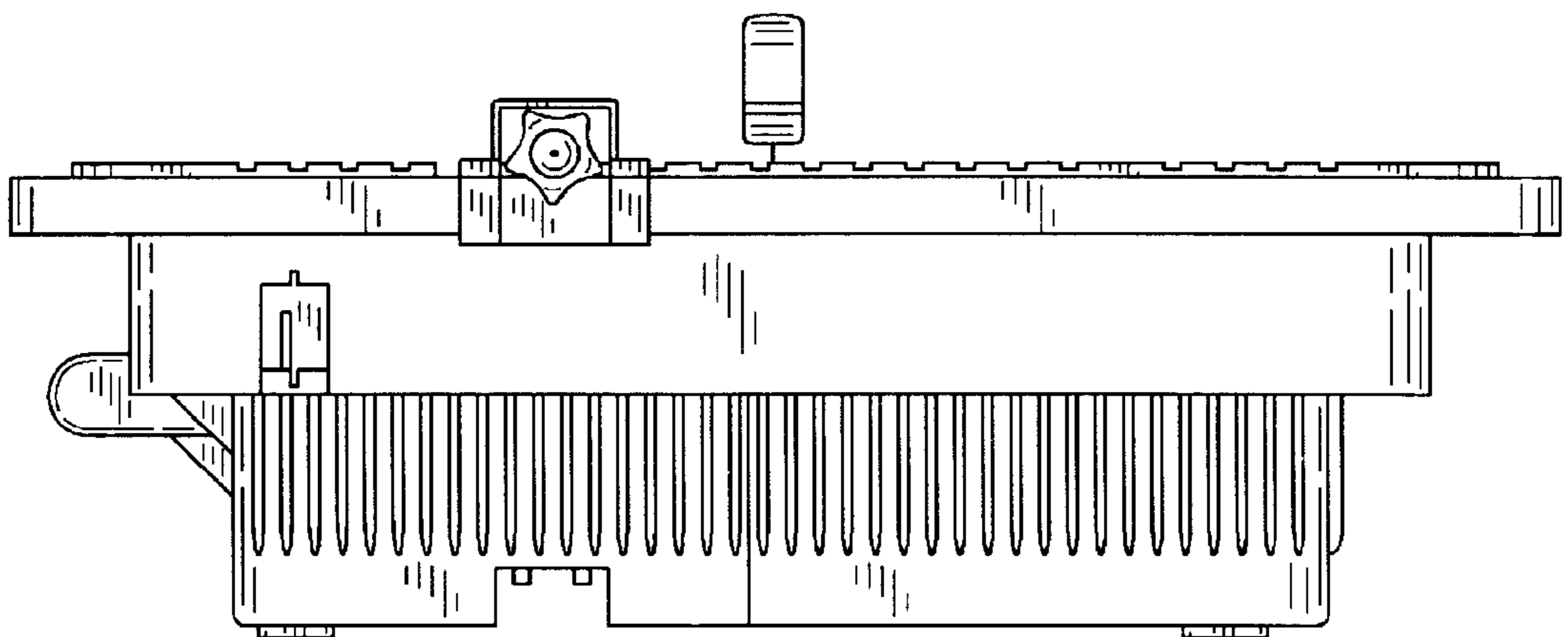
**FIG. 3**



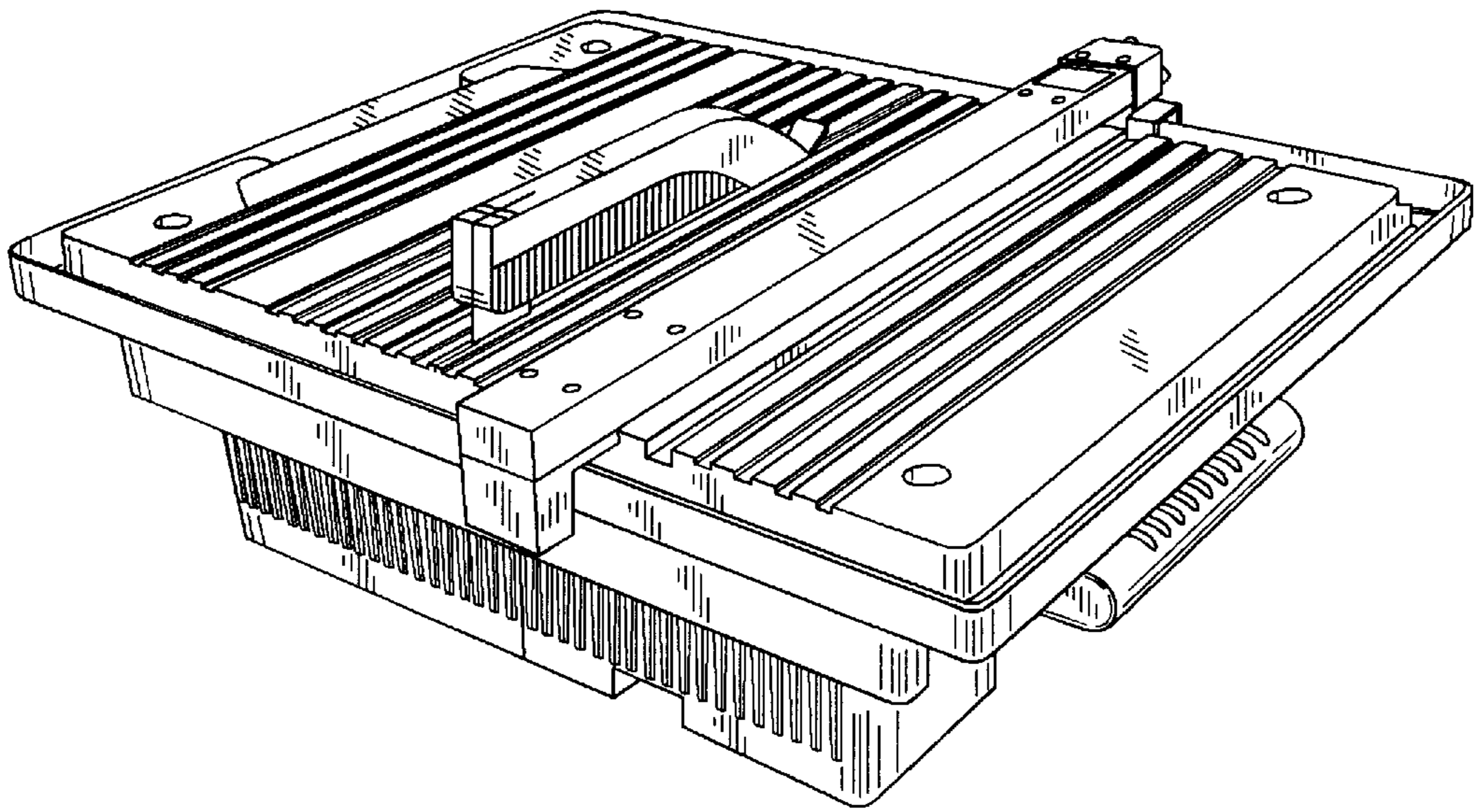
**FIG. 4**



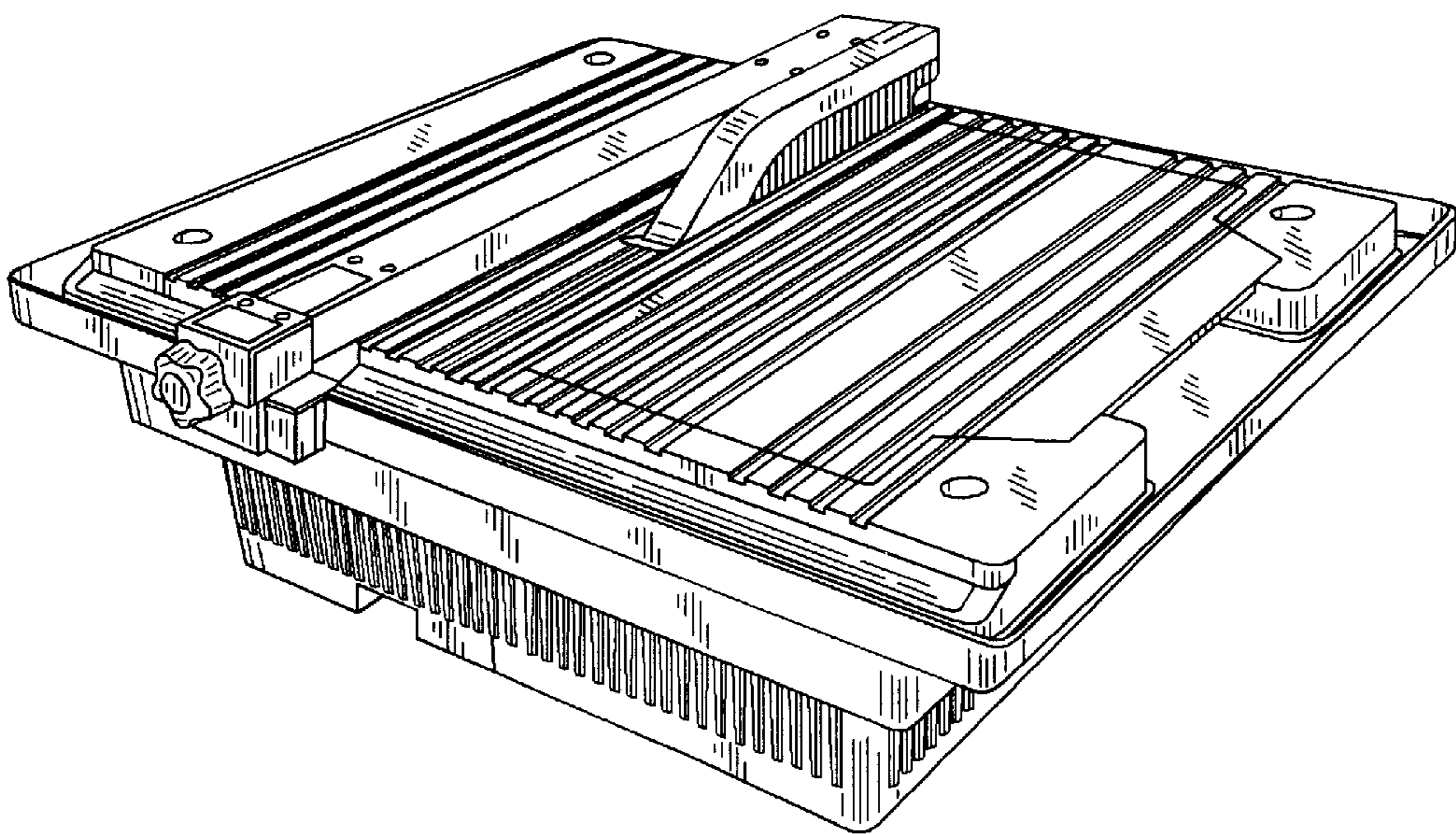
**FIG. 5**



**FIG. 6**



**FIG. 7**



**FIG. 8**

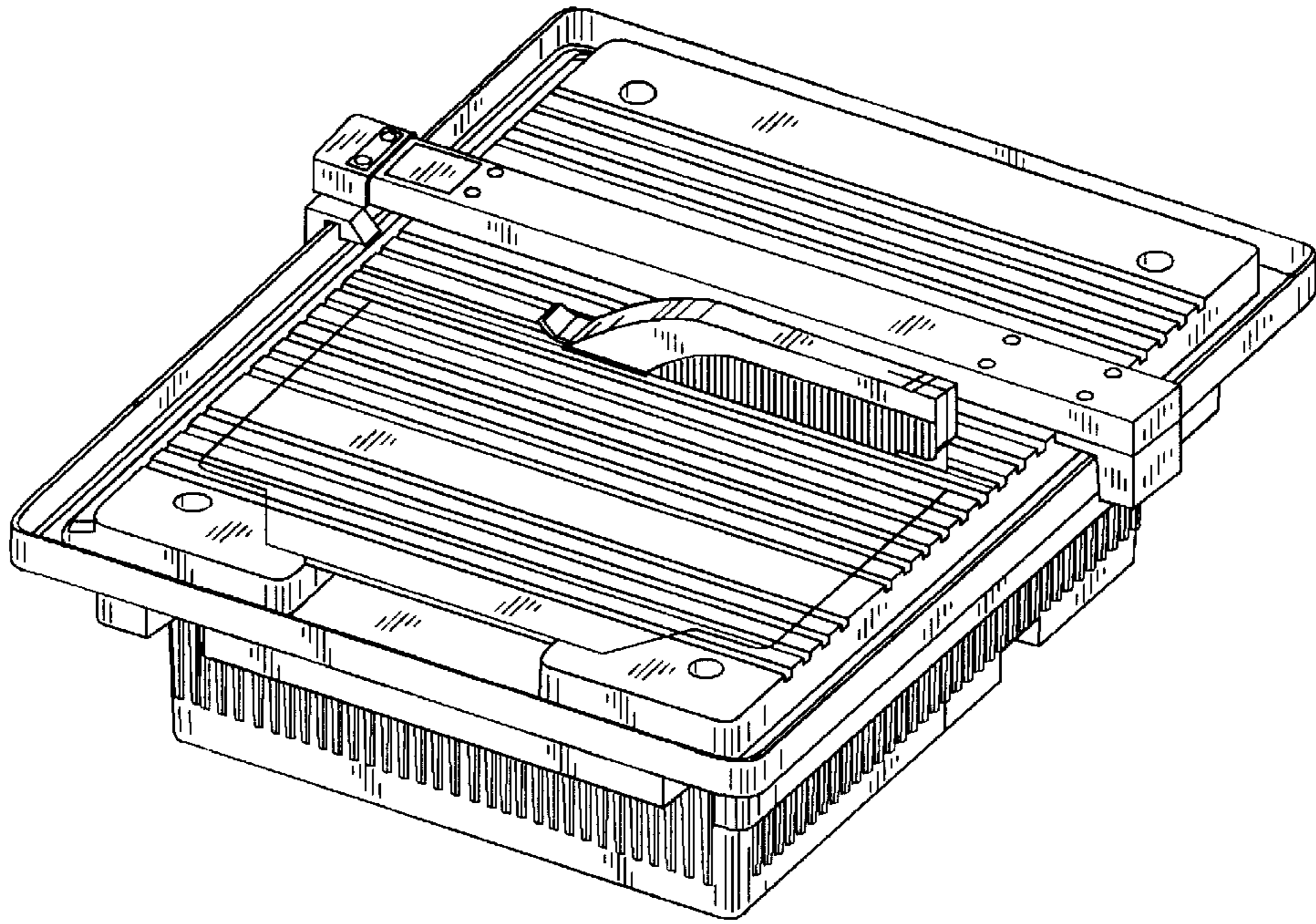


FIG. 9

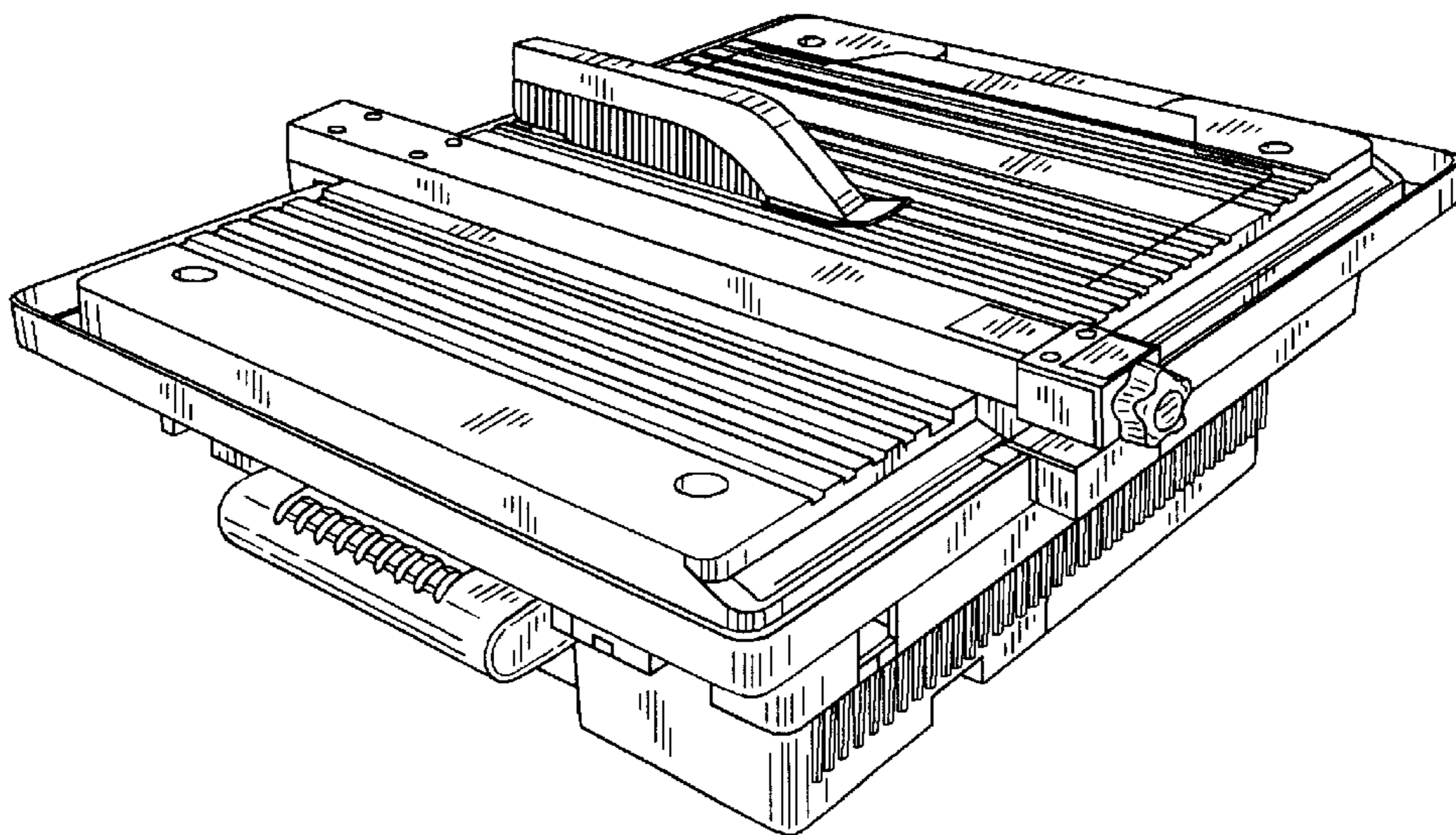


FIG. 10

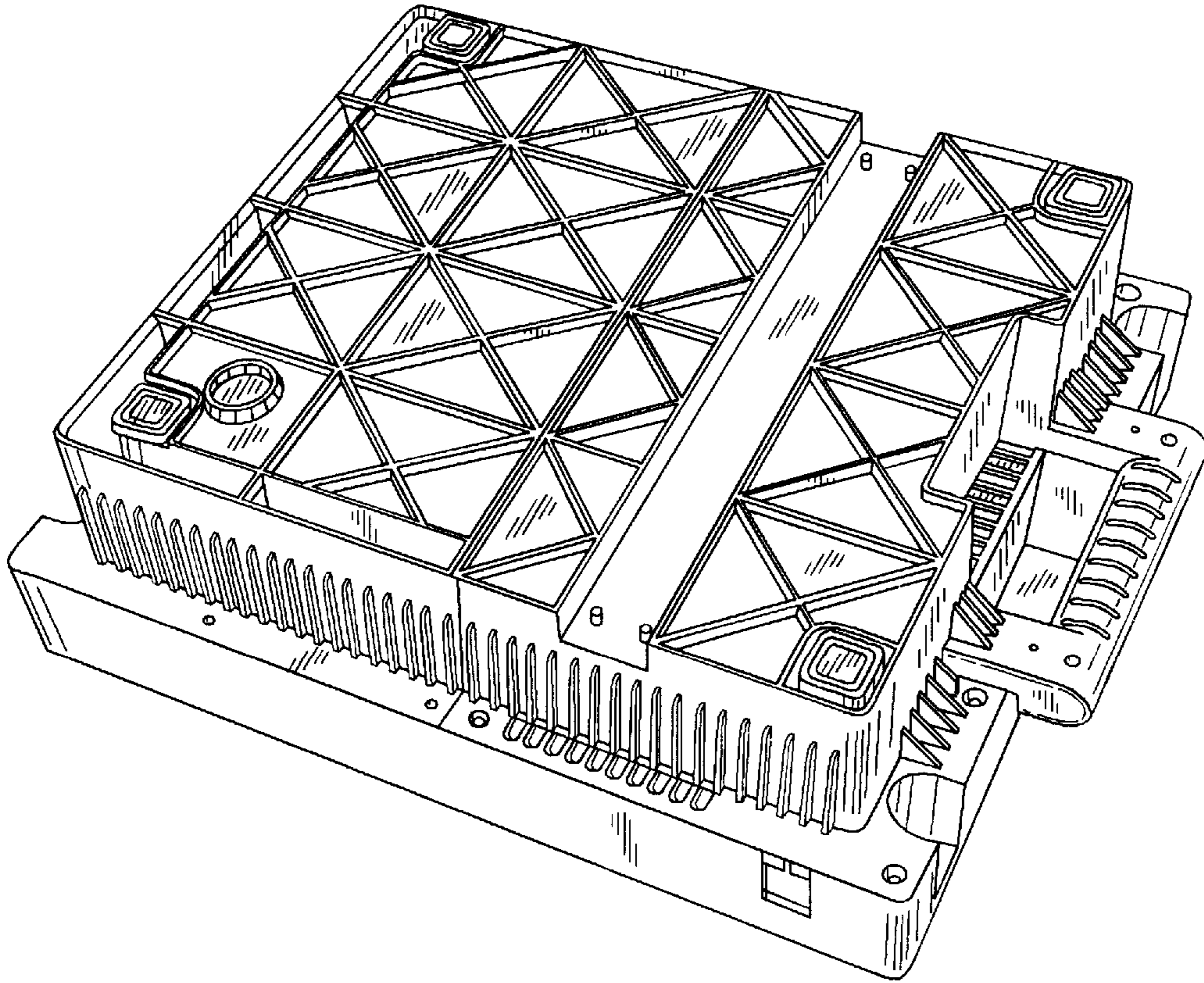
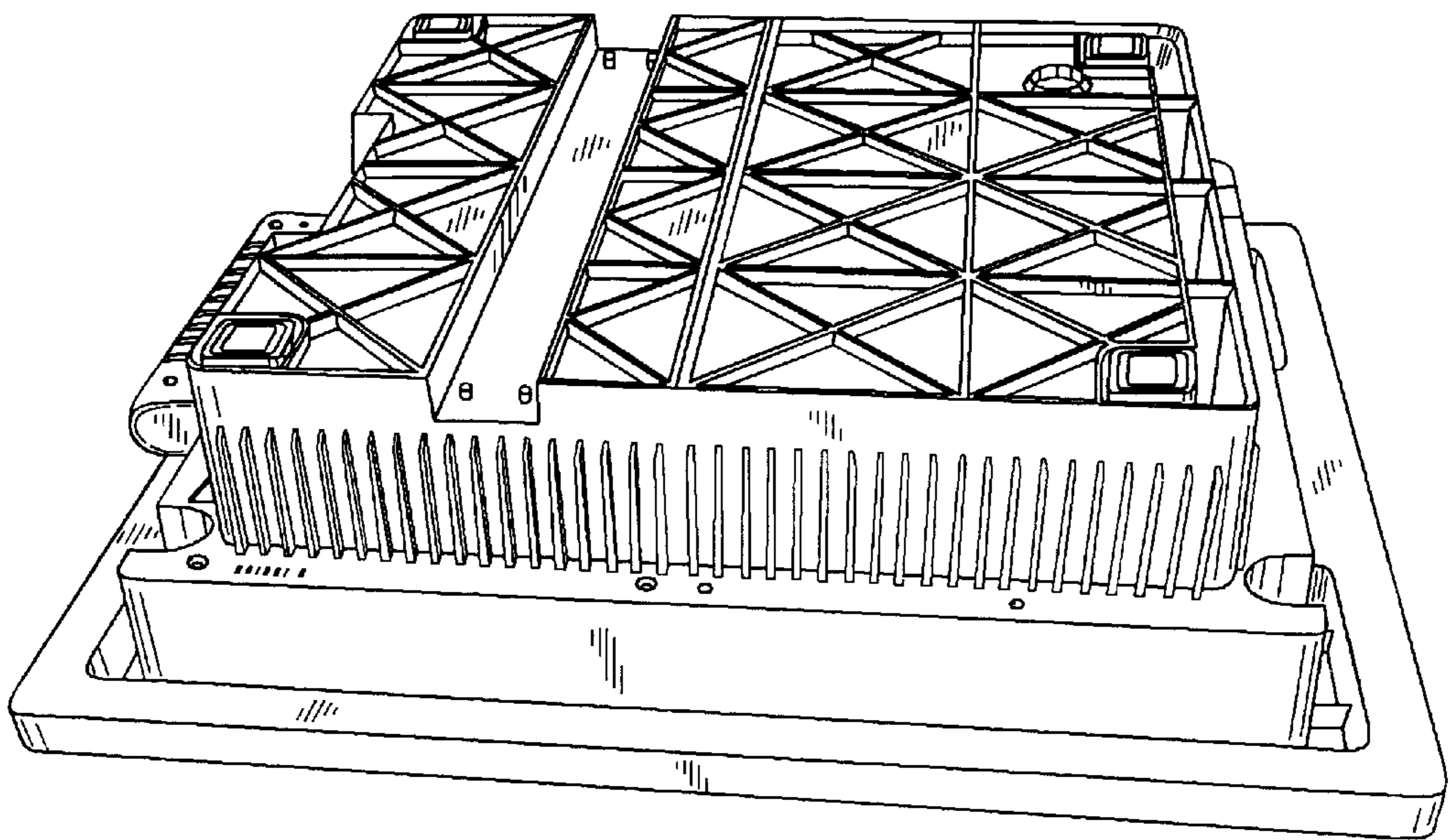


FIG. 11





**FIG. 12**