



US00D475266S

(12) **United States Design Patent**
Sakai et al.

(10) **Patent No.:** **US D475,266 S**

(45) **Date of Patent:** **** Jun. 3, 2003**

(54) **PORTABLE ELECTRIC DISC SAW**

(75) Inventors: **Masato Sakai, Ibaraki (JP); Takuma Nonaka, Ibaraki (JP)**

(73) Assignee: **Hitachi Koki Co., Ltd., Tokyo (JP)**

(**) Term: **14 Years**

(21) Appl. No.: **29/165,065**

(22) Filed: **Aug. 6, 2002**

(30) **Foreign Application Priority Data**

Feb. 7, 2002 (JP) 2002-002922

(51) **LOC (7) Cl.** **08-03**

(52) **U.S. Cl.** **D8/66**

(58) **Field of Search** D8/64, 66, 67,
D8/69, 70; 30/375, 376, 377, 388, 389,
390, 391; 144/218; 83/666, 863

(56) **References Cited**

U.S. PATENT DOCUMENTS

4,706,386 A * 11/1987 Wiley 83/666
5,023,999 A * 6/1991 Looper et al. 30/390
D332,735 S * 1/1993 Fushiya et al. D8/66

D334,523 S * 4/1993 Hoshino et al. D8/66
D378,488 S * 3/1997 Ito et al. D8/66
5,832,614 A * 11/1998 Gallagher et al. 30/390
D428,319 S * 7/2000 Gallagher D8/66
D460,672 S * 7/2002 Pretzell D8/66

* cited by examiner

Primary Examiner—Stacia Cadmus

Assistant Examiner—Elizabeth Albert

(74) *Attorney, Agent, or Firm*—Sughrue Mion, PLLC

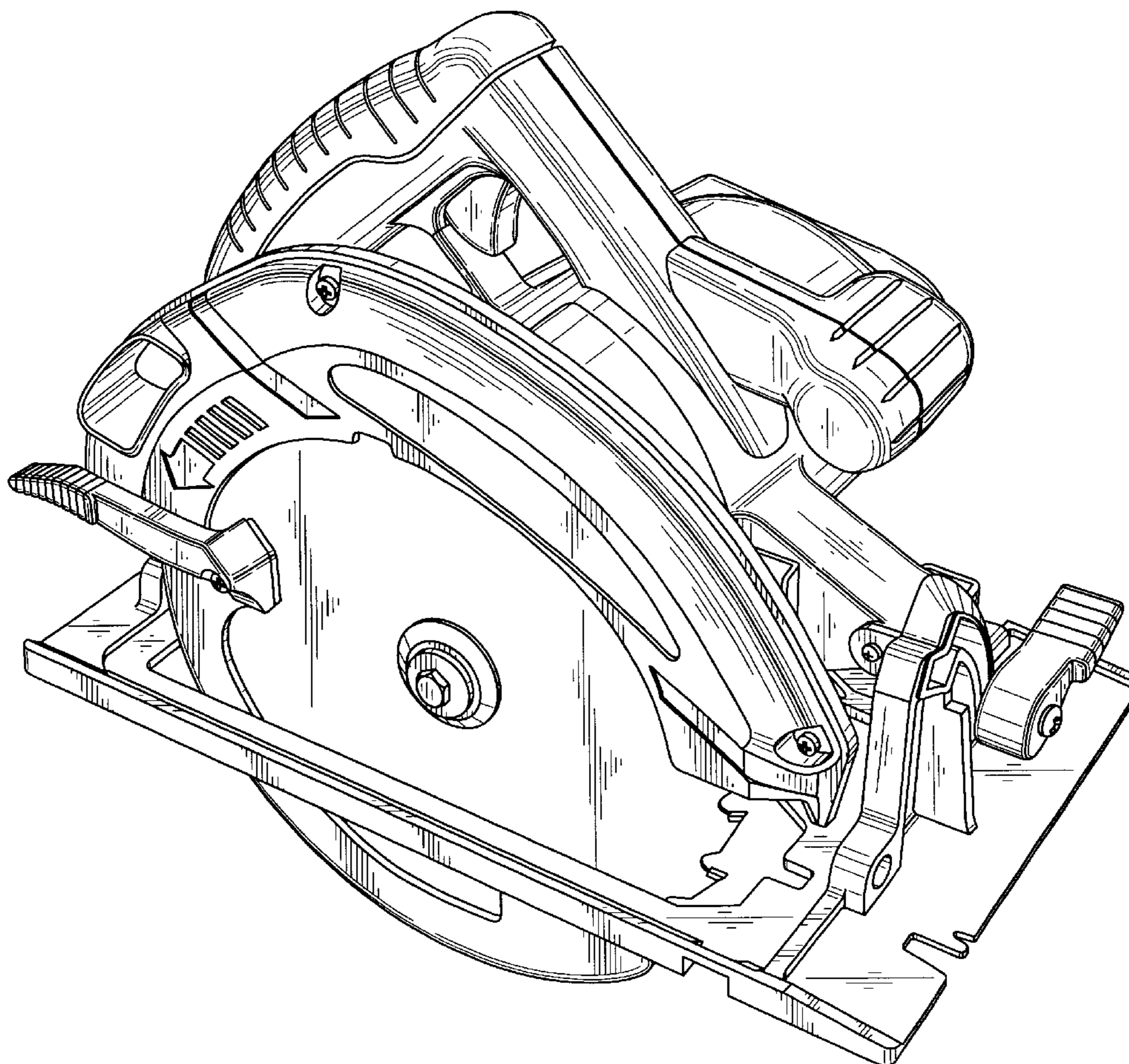
(57) **CLAIM**

The ornamental design for a portable electric disc saw, as shown.

DESCRIPTION

FIG. 1 is a perspective view of the top, front and right side of a portable electric disc saw showing our new design; FIG. 2 is a front elevational view thereof; FIG. 3 is a rear elevational view thereof; FIG. 4 is a left side elevational view thereof; FIG. 5 is a right side elevational view thereof; FIG. 6 is a top plan view thereof; and, FIG. 7 is a bottom plan view thereof.

1 Claim, 7 Drawing Sheets



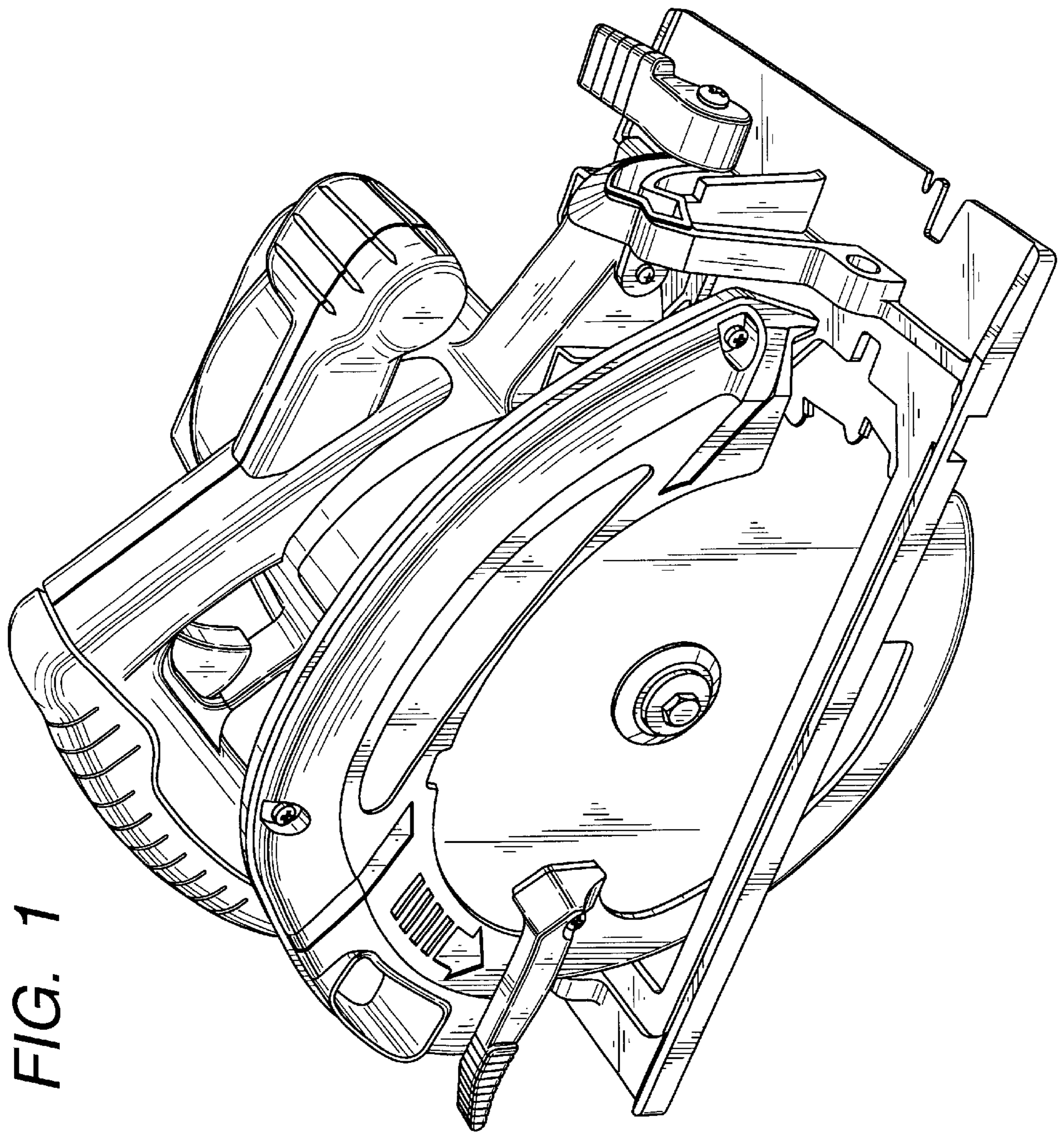


FIG. 1

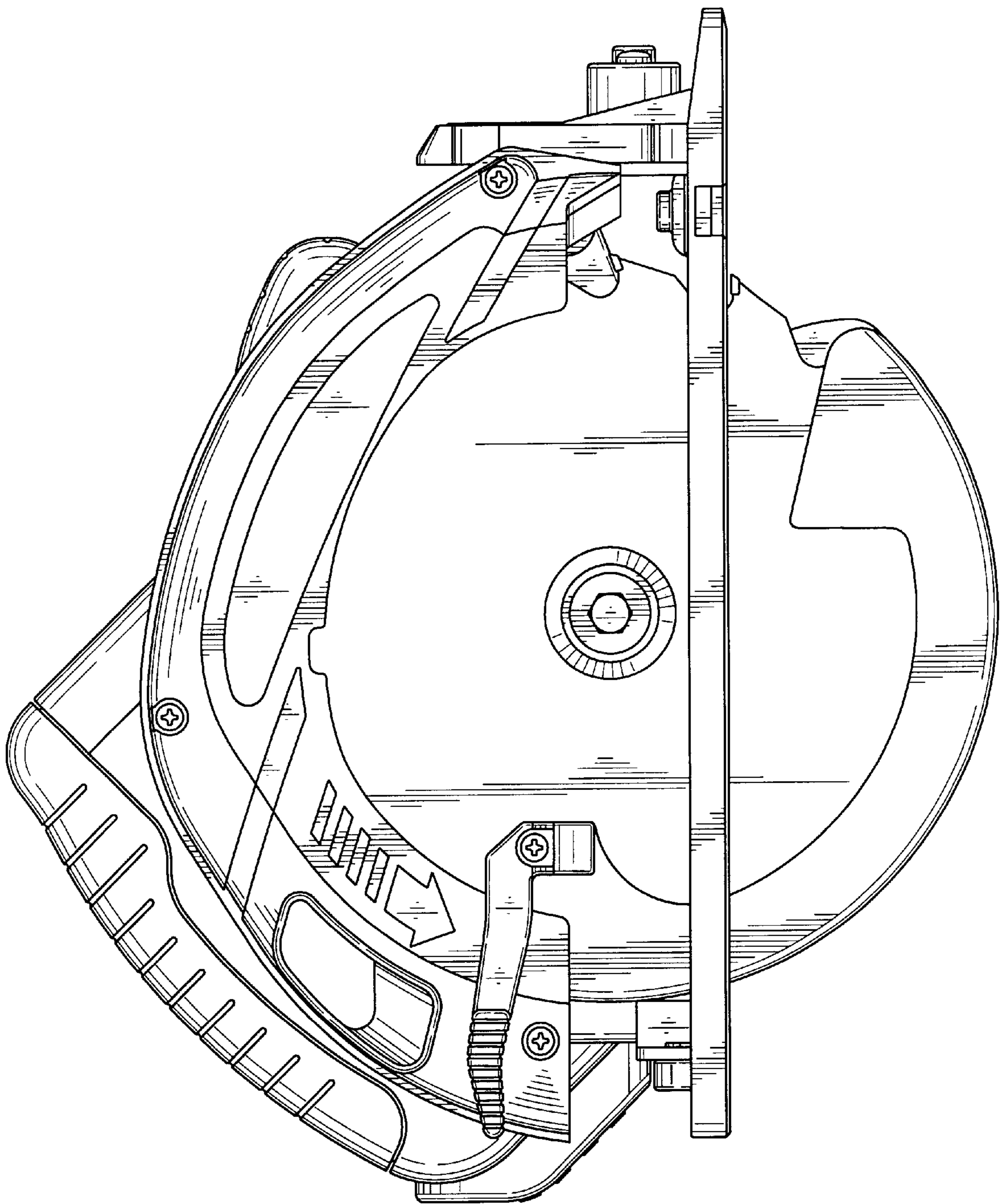


FIG. 2

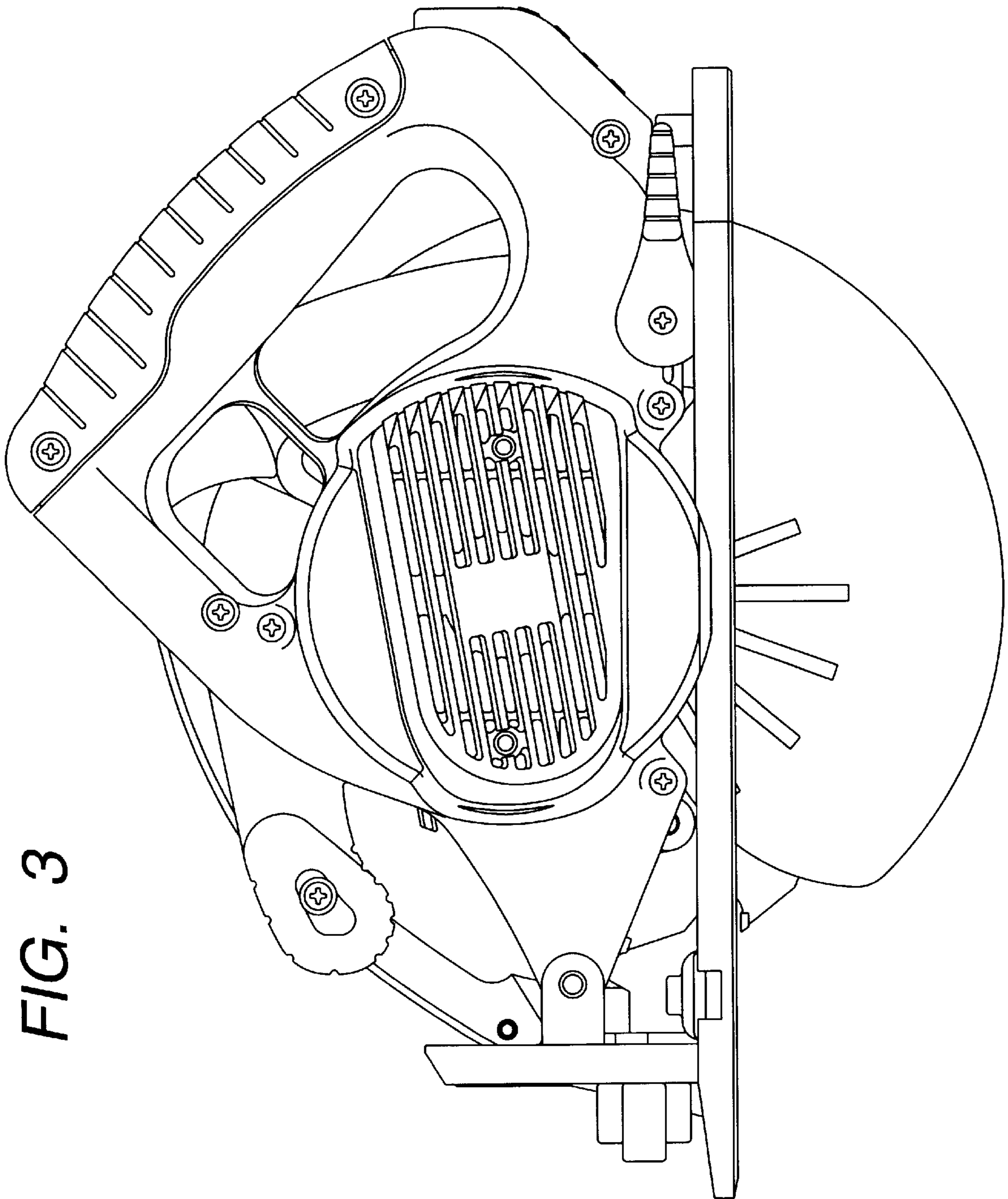


FIG. 3

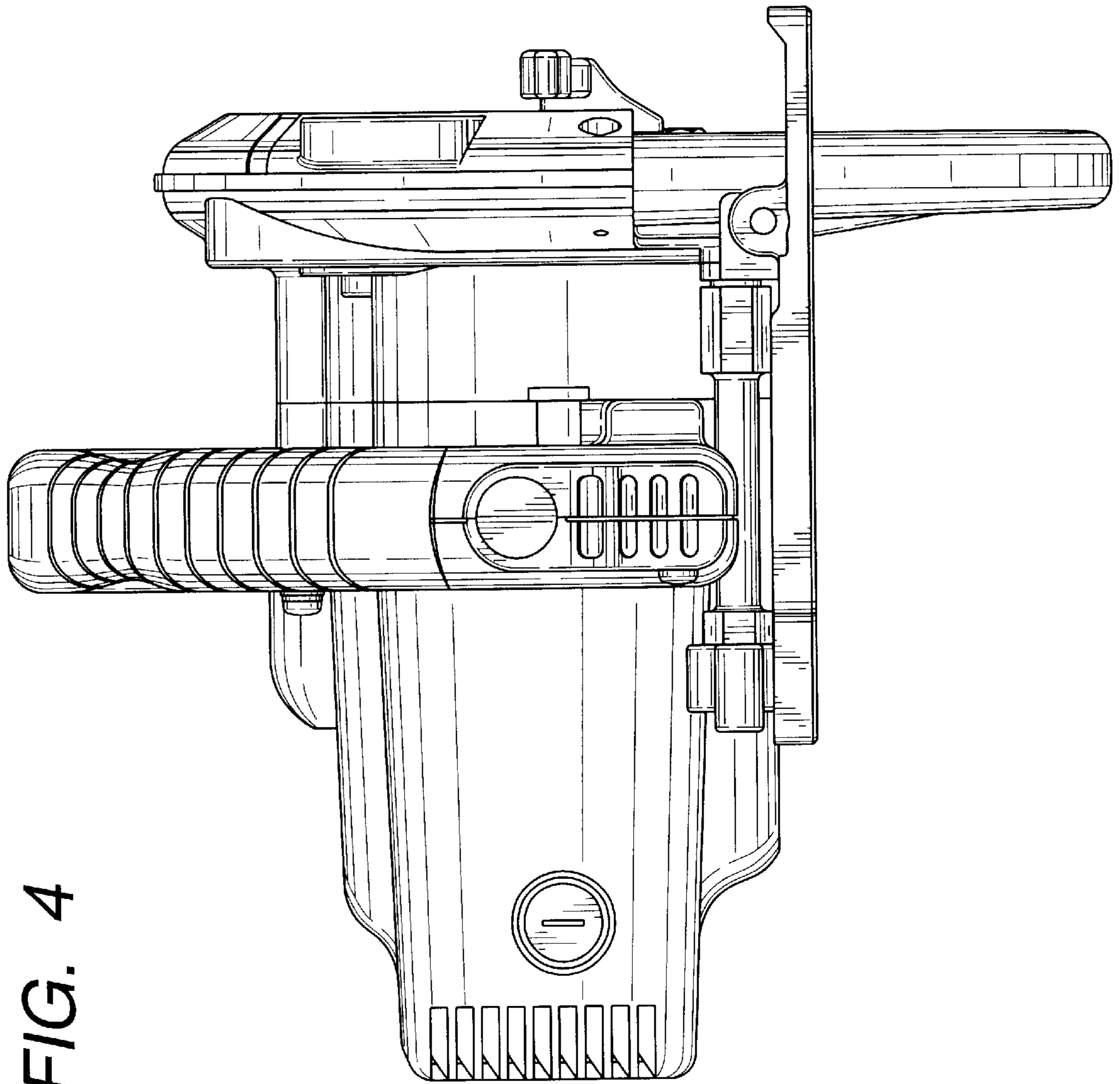


FIG. 4

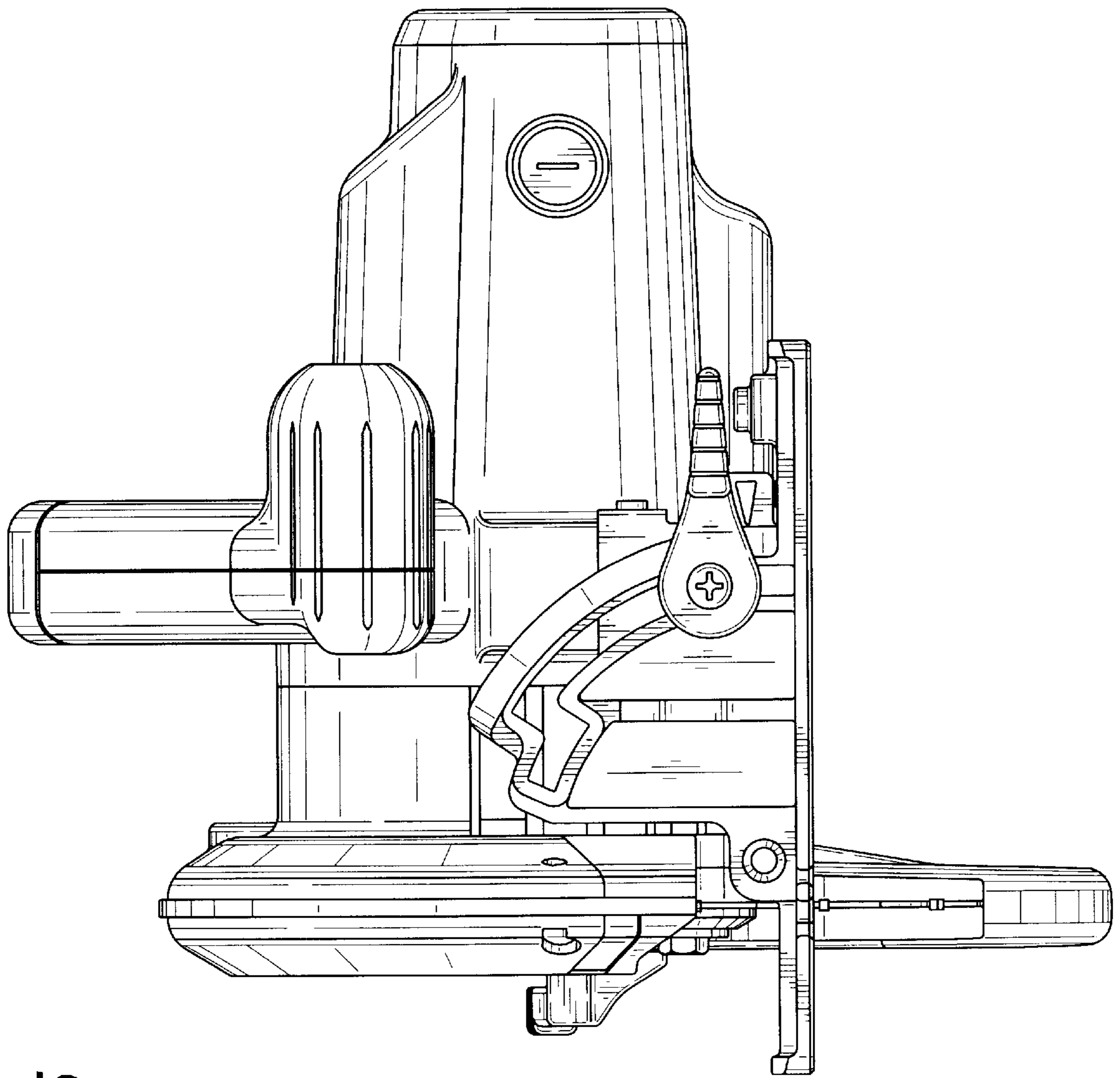


FIG. 5

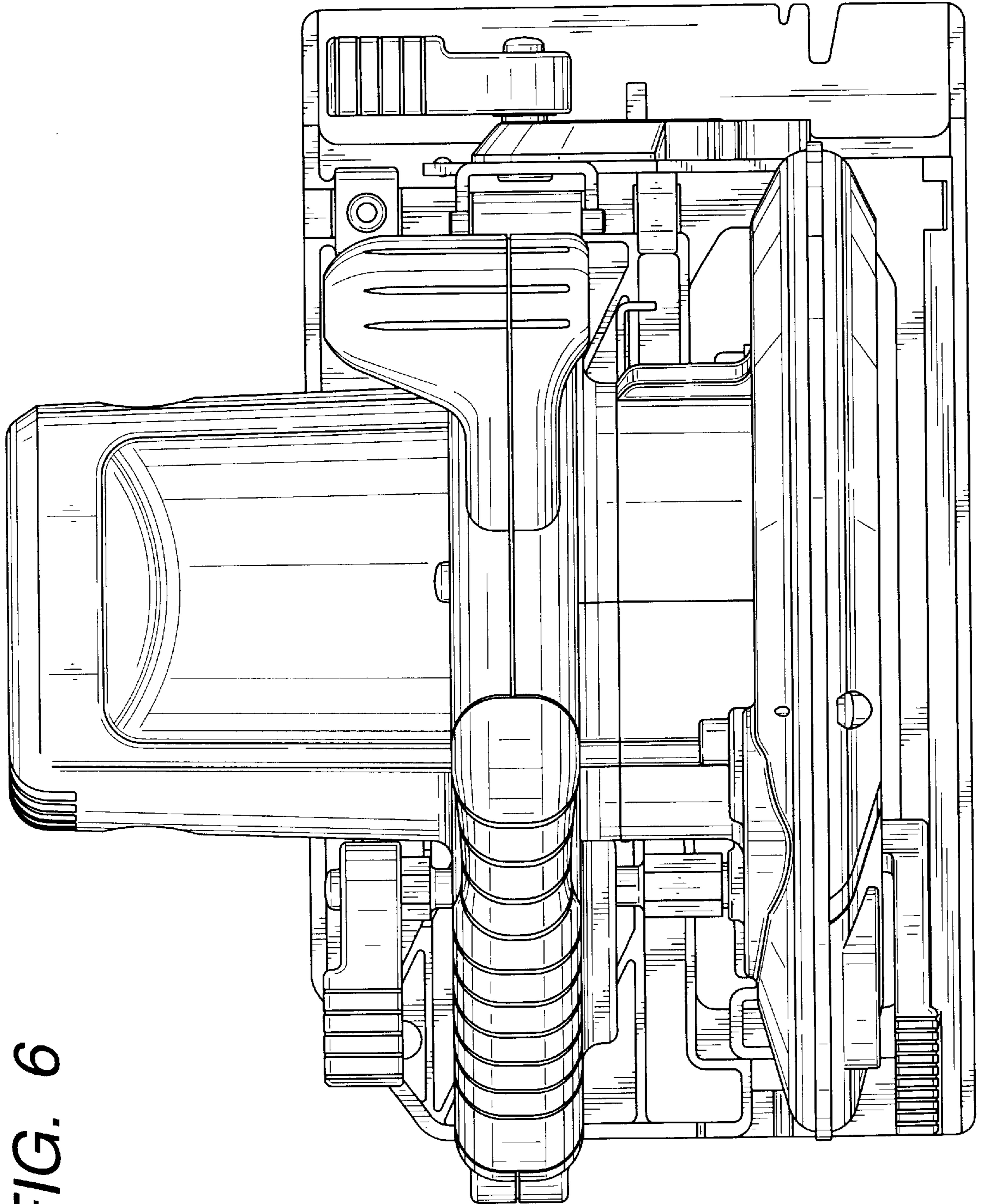


FIG. 6

FIG. 7

