



US00D475265S

(12) **United States Design Patent**
Hatch et al.

(10) **Patent No.:** **US D475,265 S**

(45) **Date of Patent:** **** Jun. 3, 2003**

(54) **CIRCULAR SAW WITH REAR HANDLE**

(75) Inventors: **Paul D. Hatch**, Chicago, IL (US); **P. Sean Gallagher**, Arlington Heights, IL (US); **Kristian Buschmann**, Chicago, IL (US)

(73) Assignee: **S-B Power Tool Corporation**, Chicago, IL (US)

(**) Term: **14 Years**

(21) Appl. No.: **29/161,760**

(22) Filed: **Jun. 4, 2002**

(51) **LOC (7) Cl.** **08-03**

(52) **U.S. Cl.** **D8/66**

(58) **Field of Search** D8/64, 66, 67,
D8/69, 70; 30/375, 376, 377, 388, 389,
390, 391; 83/666, 863; 144/218

(56) **References Cited**

U.S. PATENT DOCUMENTS

4,472,880	A	*	9/1984	Johansson	30/389
4,787,145	A	*	11/1988	Klicker et al.	30/388
4,939,843	A	*	7/1990	Rogers	30/388
D315,854	S	*	4/1991	Kawakami et al.	D8/66
5,361,501	A	*	11/1994	Fajnsztajn	30/390
5,850,697	A	*	12/1998	Welch	30/390
5,850,698	A	*	12/1998	Hurn et al.	30/391
D408,248	S		4/1999	Zurwelle et al.		
6,026,576	A	*	2/2000	Hurn et al.	30/377
D421,702	S	*	3/2000	Sakai et al.	D8/66
D433,300	S		11/2000	Buck		
D449,503	S	*	10/2001	Tsuzuki et al.	D8/66
D453,099	S		1/2002	Welsh		

OTHER PUBLICATIONS

SKIL Power Tools, "SKIL Power Tools and Accessories" Catalog, published in the U.S.A, 1999.

Dewalt Website, Jun. 3, 2002, http://www.dewalt.com/us/products/tool_detail_listing.asp?categoryID=85.

Milwaukee Electric Tool Corporation Website, Jun. 3, 2002 http://www.milwaukeeconnect.com/cgi-bin/ncommerce3/ProductDisplay?prfibr=368&prmenbr=27&CGRY_NUM=51&search=yes.

Makita U.S.A., Inc. Website, Jun. 3, 2002 http://www.makita.com/tools_Item_View.asp?id=217.

* cited by examiner

Primary Examiner—Doris V. Coles

Assistant Examiner—Elizabeth Albert

(74) *Attorney, Agent, or Firm*—Victor A. Henzi

(57) **CLAIM**

The ornamental design for a circular saw with rear handle, as shown and described.

DESCRIPTION

FIG. 1 is a front perspective view of our new design for a circular saw with rear handle;

FIG. 2 is a right side view thereof;

FIG. 3 is a left side view thereof;

FIG. 4 is a front view thereof;

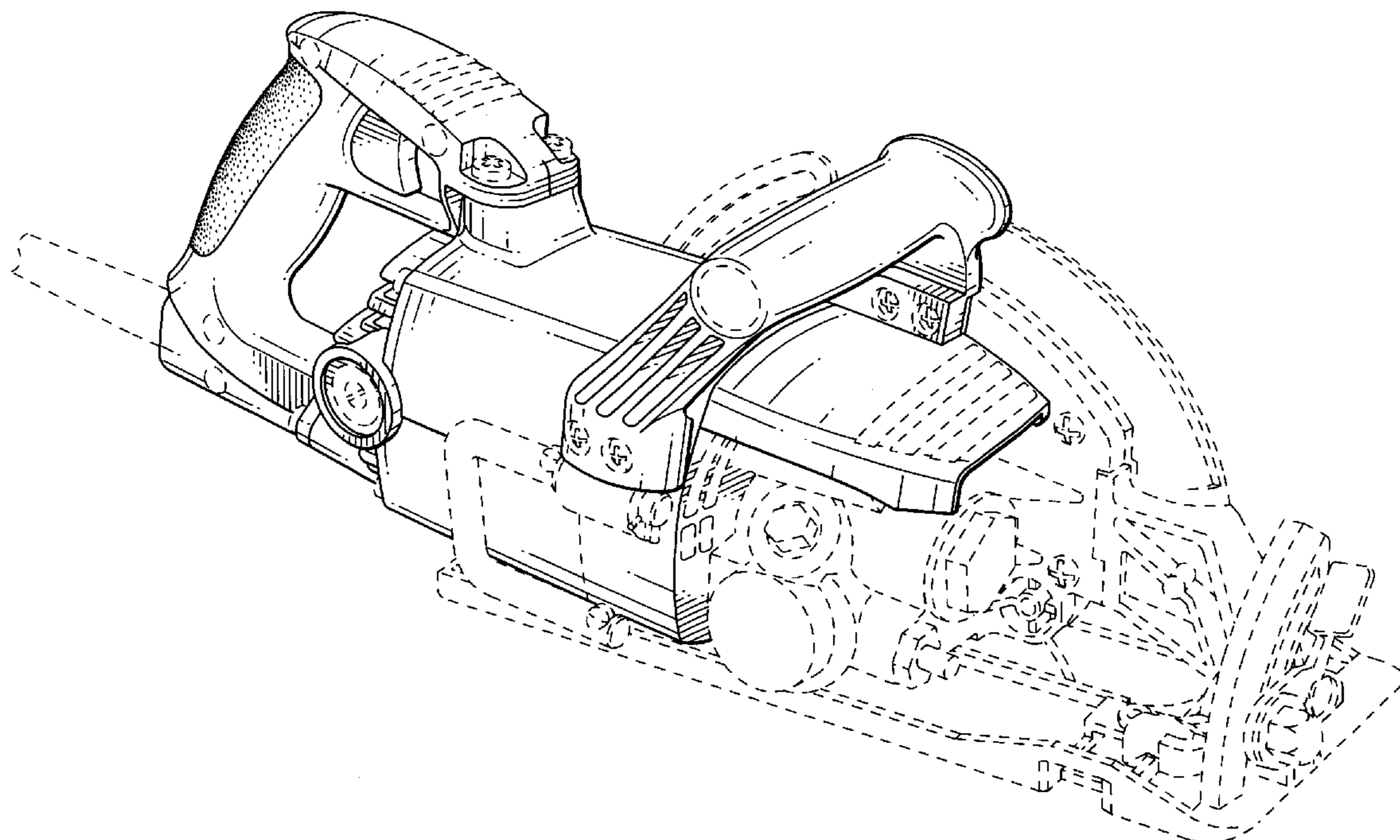
FIG. 5 is a rear view thereof;

FIG. 6 is top view thereof; and,

FIG. 7 is a bottom view thereof.

The broken lines showing various features of a circular saw are for illustrative purposes only and form no part of the claimed design.

1 Claim, 6 Drawing Sheets



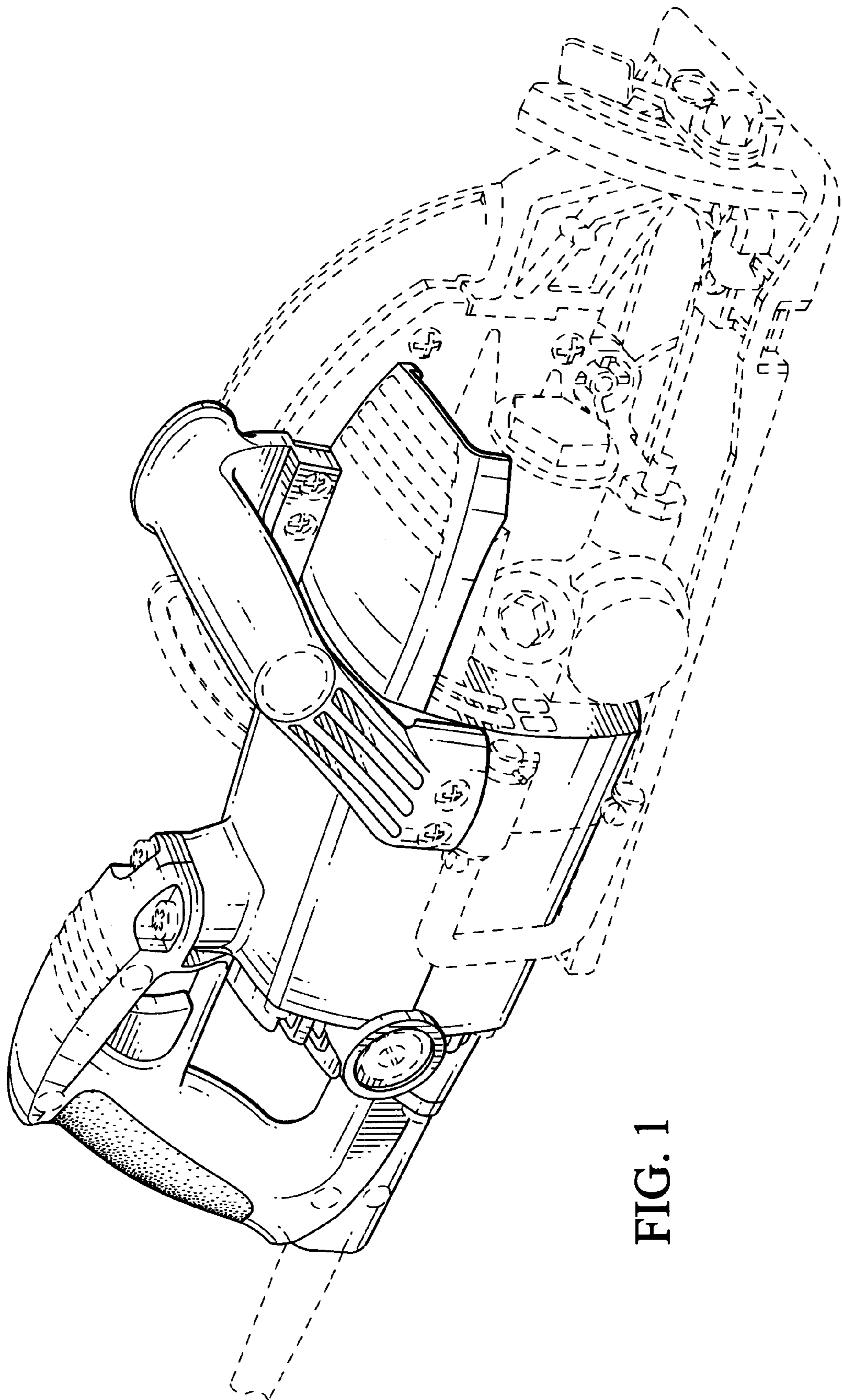


FIG. 1

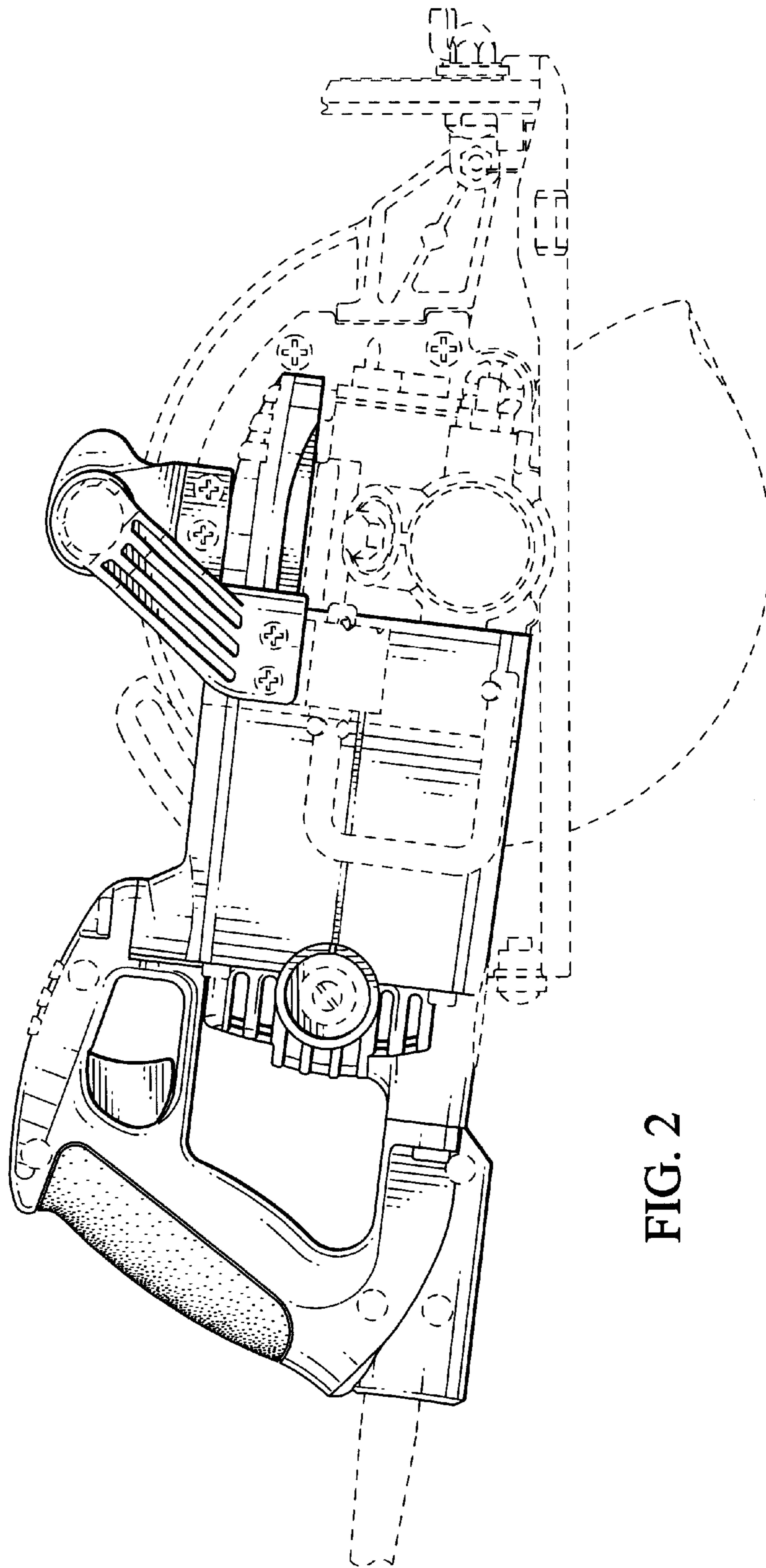


FIG. 2

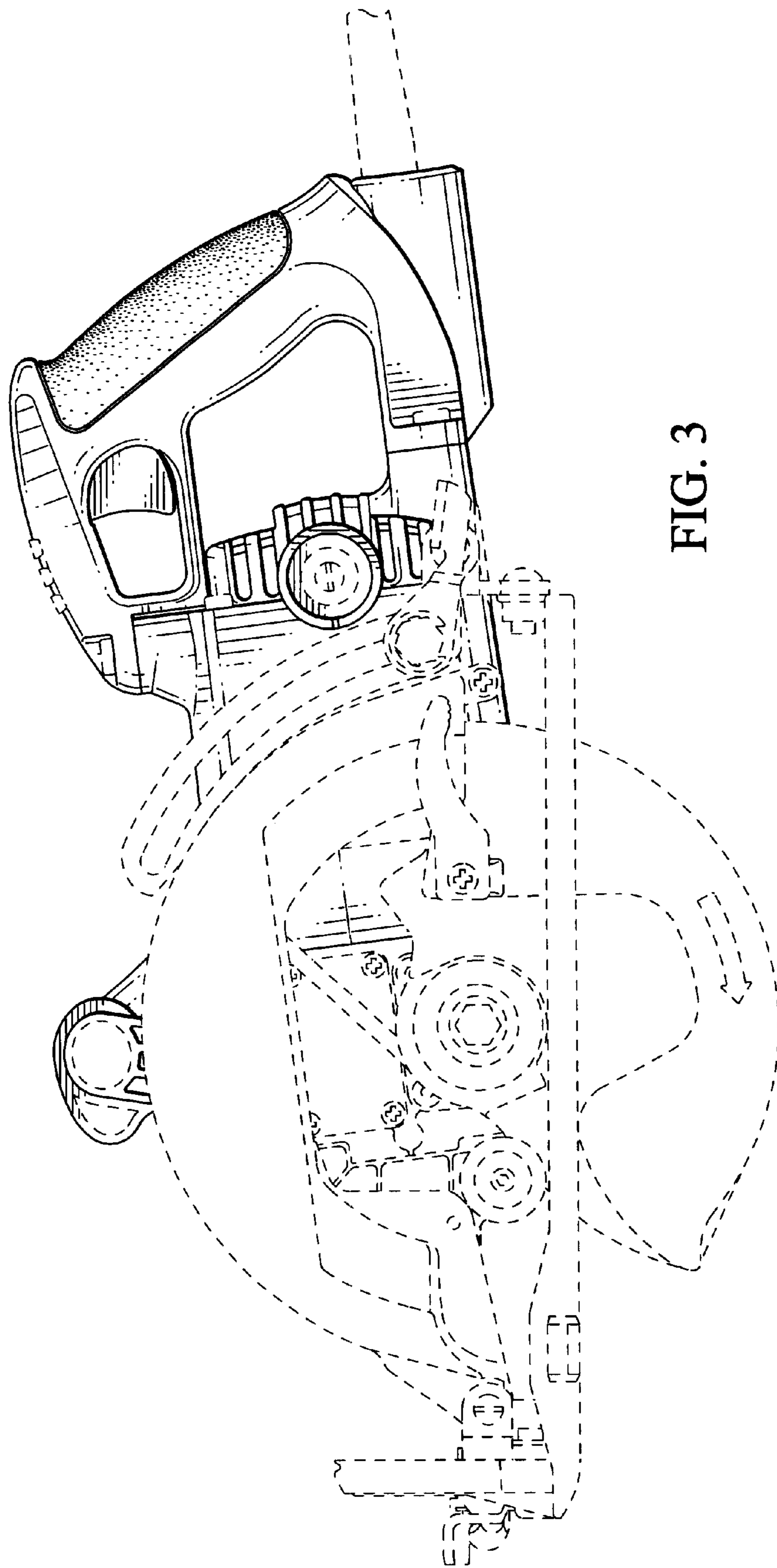


FIG. 3

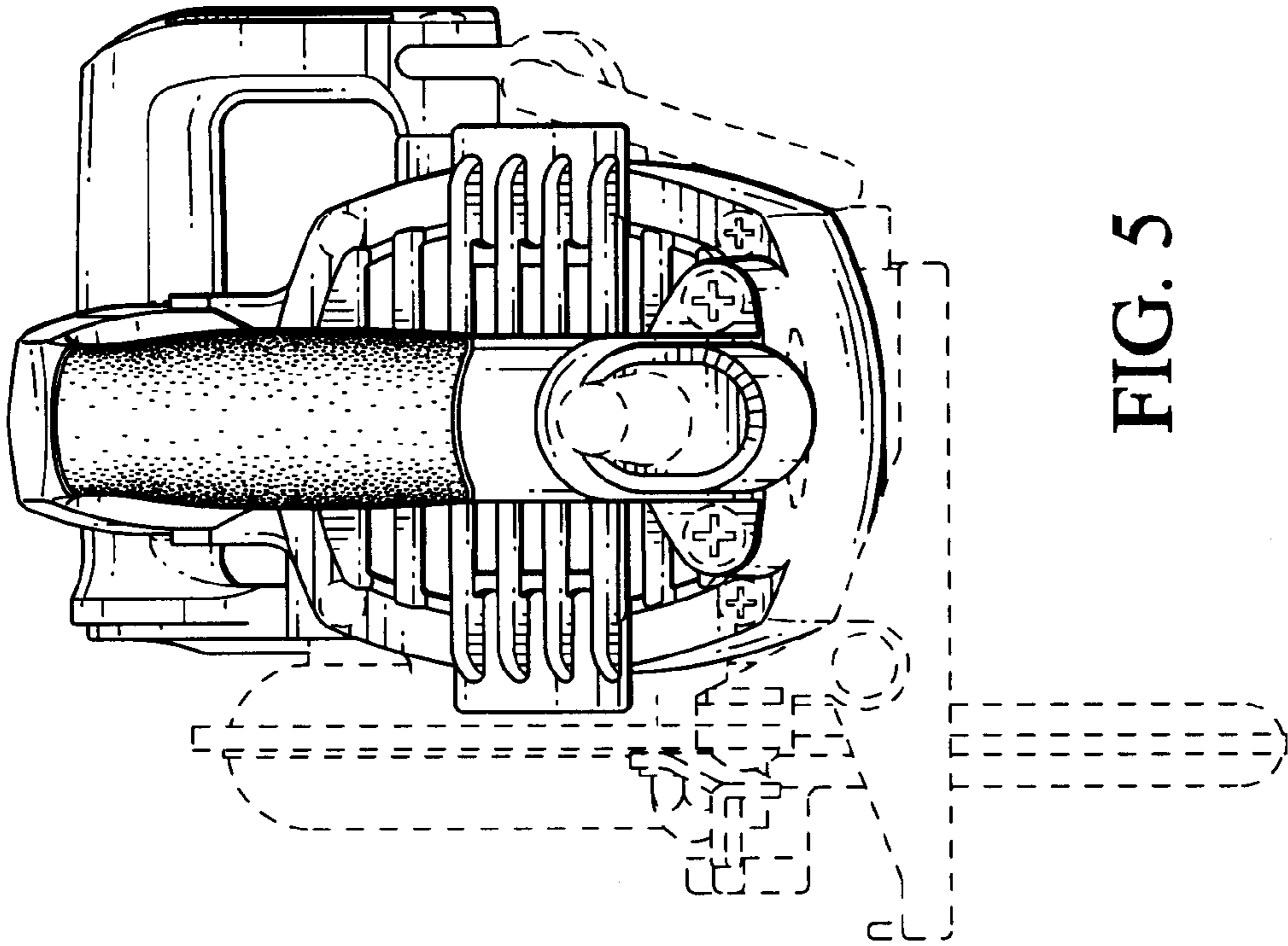


FIG. 5

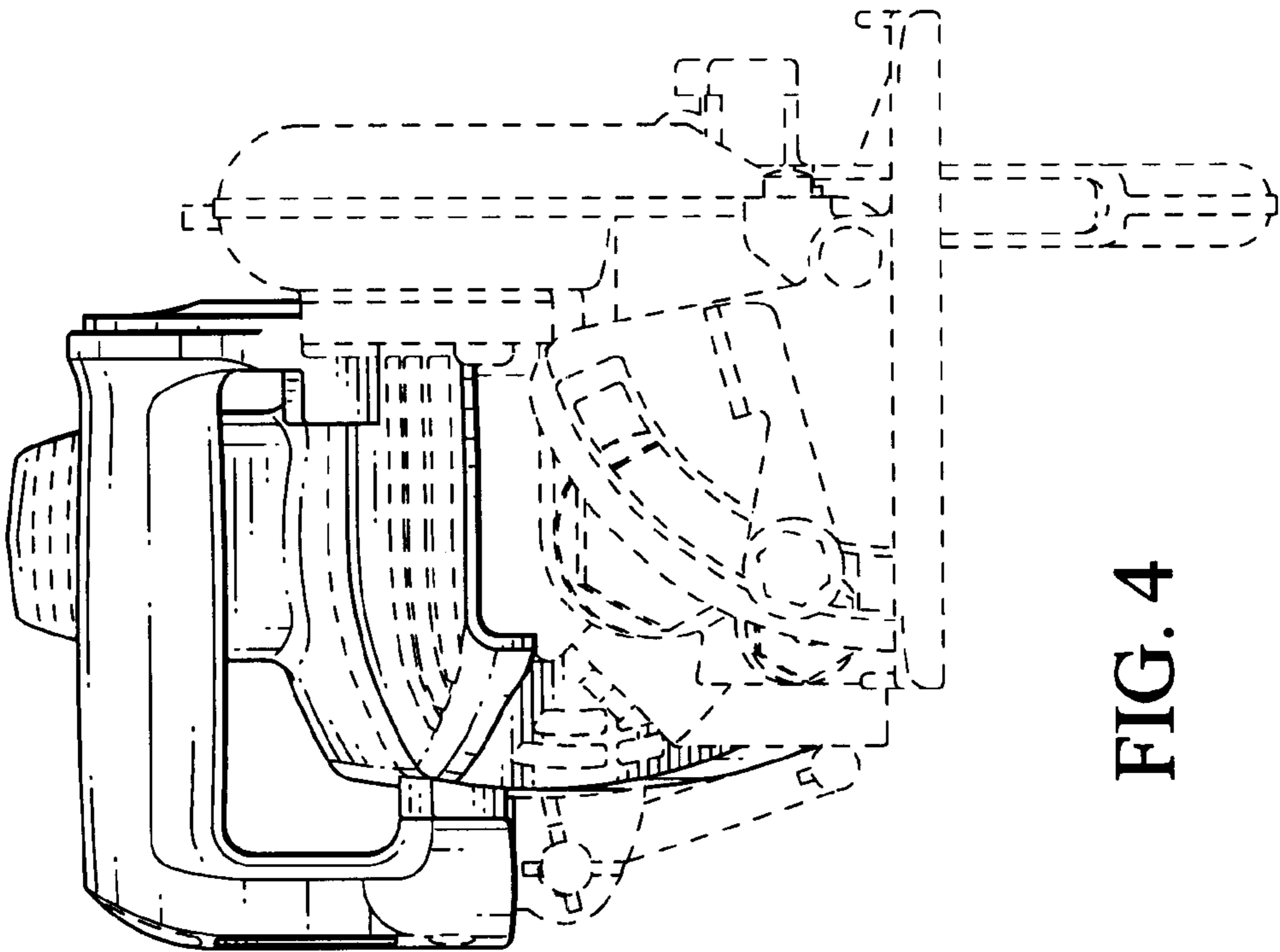


FIG. 4

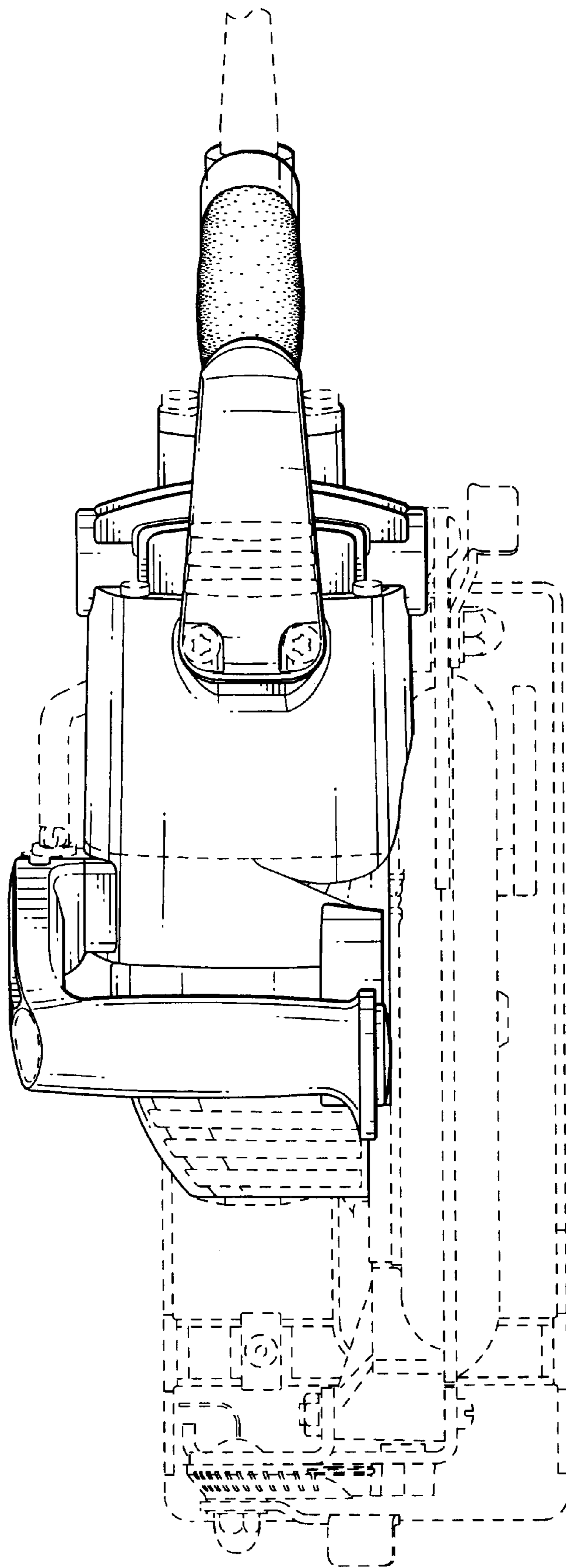


FIG. 6

FIG. 7

