



US00D475263S

(12) **United States Design Patent**
Andriolo

(10) **Patent No.:** **US D475,263 S**

(45) **Date of Patent:** **** Jun. 3, 2003**

(54) **ANGLE GRINDER POWER TOOL**

(75) **Inventor:** **Paolo Andriolo, Vicenza (IT)**

(73) **Assignee:** **Positec Power Tools (Europe) Ltd.**
(GB)

(**) **Term:** **14 Years**

(21) **Appl. No.:** **29/157,275**

(22) **Filed:** **Mar. 15, 2002**

(30) **Foreign Application Priority Data**

Sep. 15, 2001 (GB) 2104778

(51) **LOC (7) Cl.** **08-01**

(52) **U.S. Cl.** **D8/62**

(58) **Field of Search** D8/61, 62, 67,
D8/69, 70; D32/15, 19; 15/97.1, 98; 310/50;
451/294, 344, 353, 354, 355, 356, 357,
358, 451, 453, 456

(56) **References Cited**

U.S. PATENT DOCUMENTS

- D255,417 S * 6/1980 Sakamoto et al. D8/62
- D295,824 S * 5/1988 Hoshino et al. D8/62
- D297,907 S * 10/1988 Hoshimo et al. D8/62
- 5,468,176 A * 11/1995 Udert et al. 451/353
- D396,175 S * 7/1998 Chung D8/62

- D423,898 S * 5/2000 Kelley D8/61
- 6,120,362 A * 9/2000 Etter et al. 451/354
- D433,906 S * 11/2000 Heun D8/62
- D438,077 S * 2/2001 Schmid D8/61
- 6,241,594 B1 * 6/2001 Lepold 451/359
- D453,098 S * 1/2002 Pretzell D8/62
- D453,288 S * 2/2002 Lui D8/62

* cited by examiner

Primary Examiner—Doris V. Coles

Assistant Examiner—Elizabeth Albert

(74) *Attorney, Agent, or Firm*—Young & Basile, P.C.

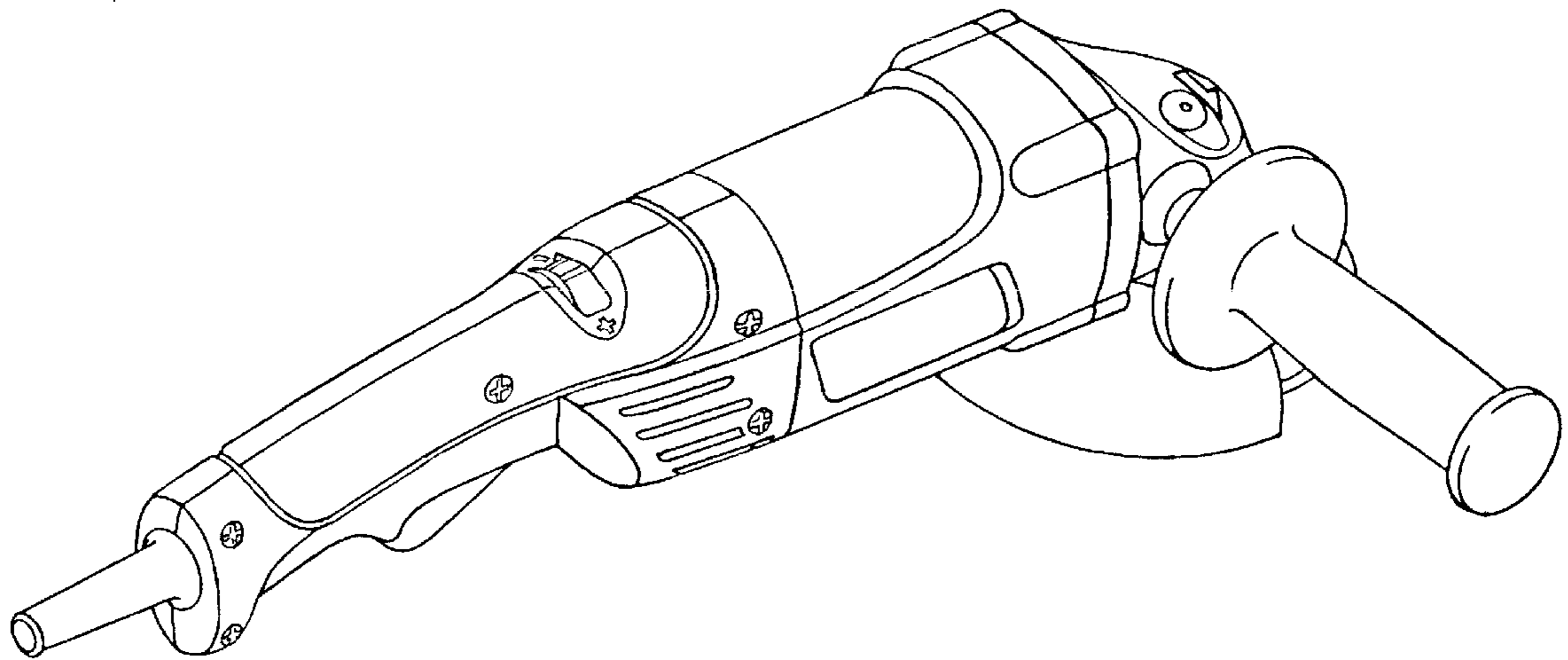
(57) **CLAIM**

The ornamental design for an angle grinder power tool, as shown and described.

DESCRIPTION

FIG. 1 is a perspective view showing my new design of an angle grinder power tool;
 FIG. 2 is a front elevational view of an angle grinder power tool in FIG. 1;
 FIG. 3 is a rear elevational view thereof;
 FIG. 4 is a right-side elevational view thereof;
 FIG. 5 is a left-side elevational view thereof;
 FIG. 6 is a top elevational view thereof; and,
 FIG. 7 is a bottom elevational view thereof.

1 Claim, 6 Drawing Sheets



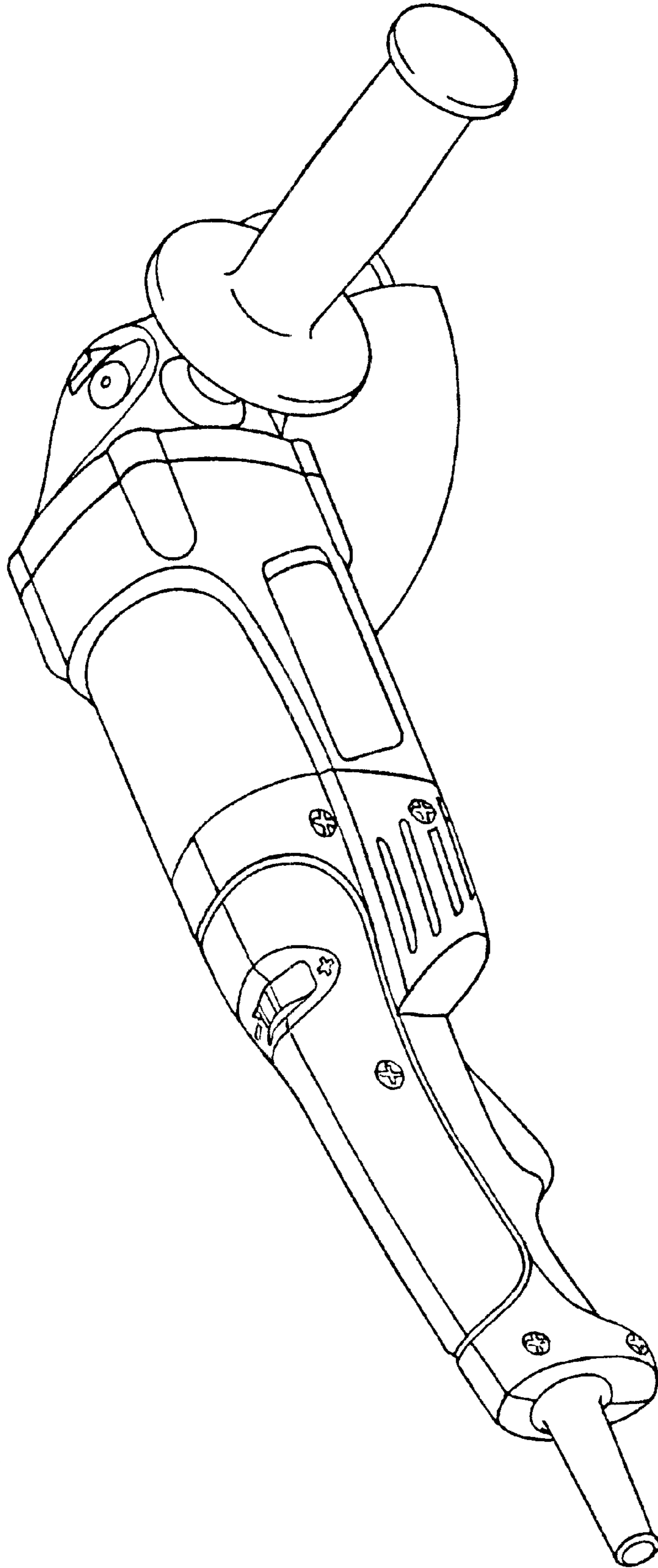


FIG. 1

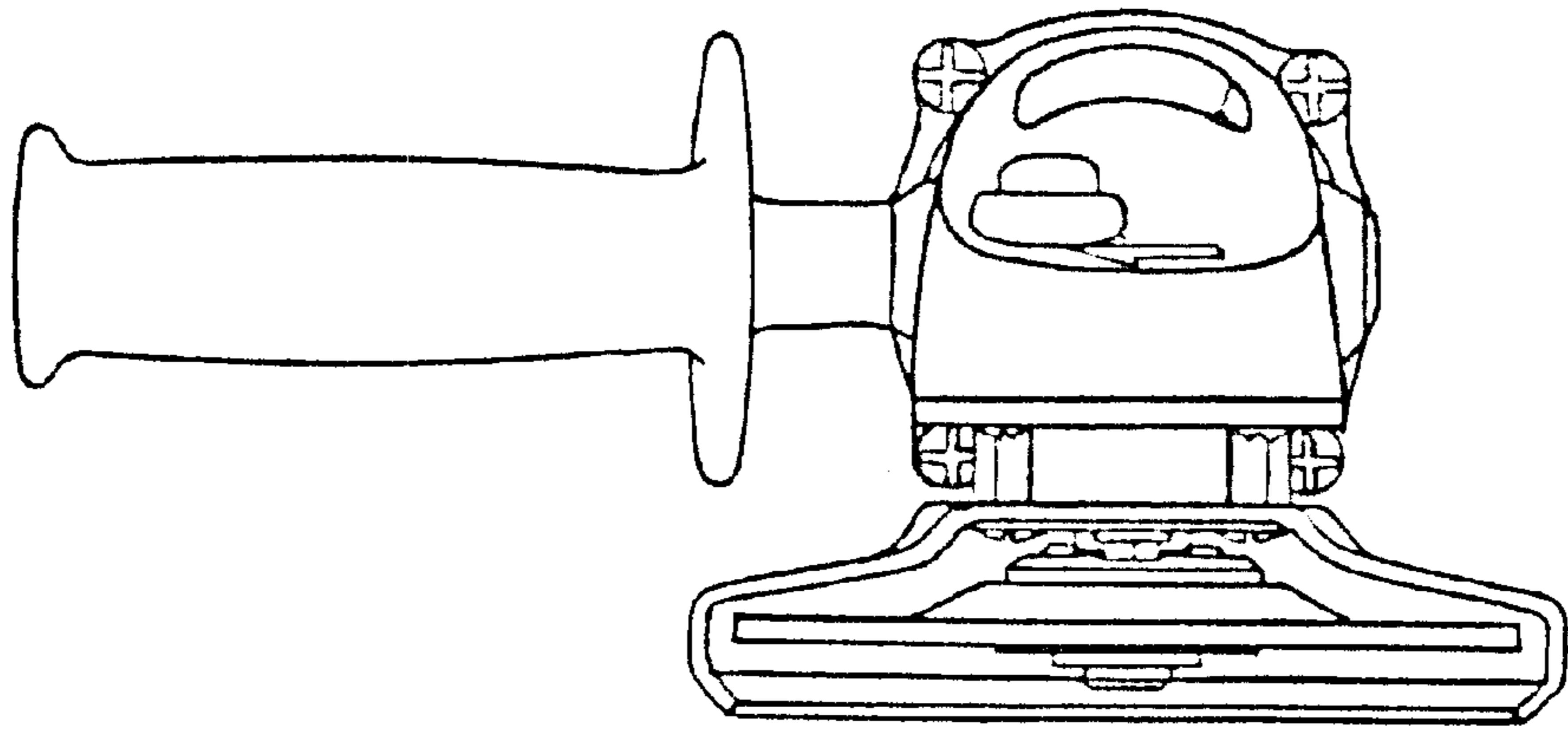


FIG. 2

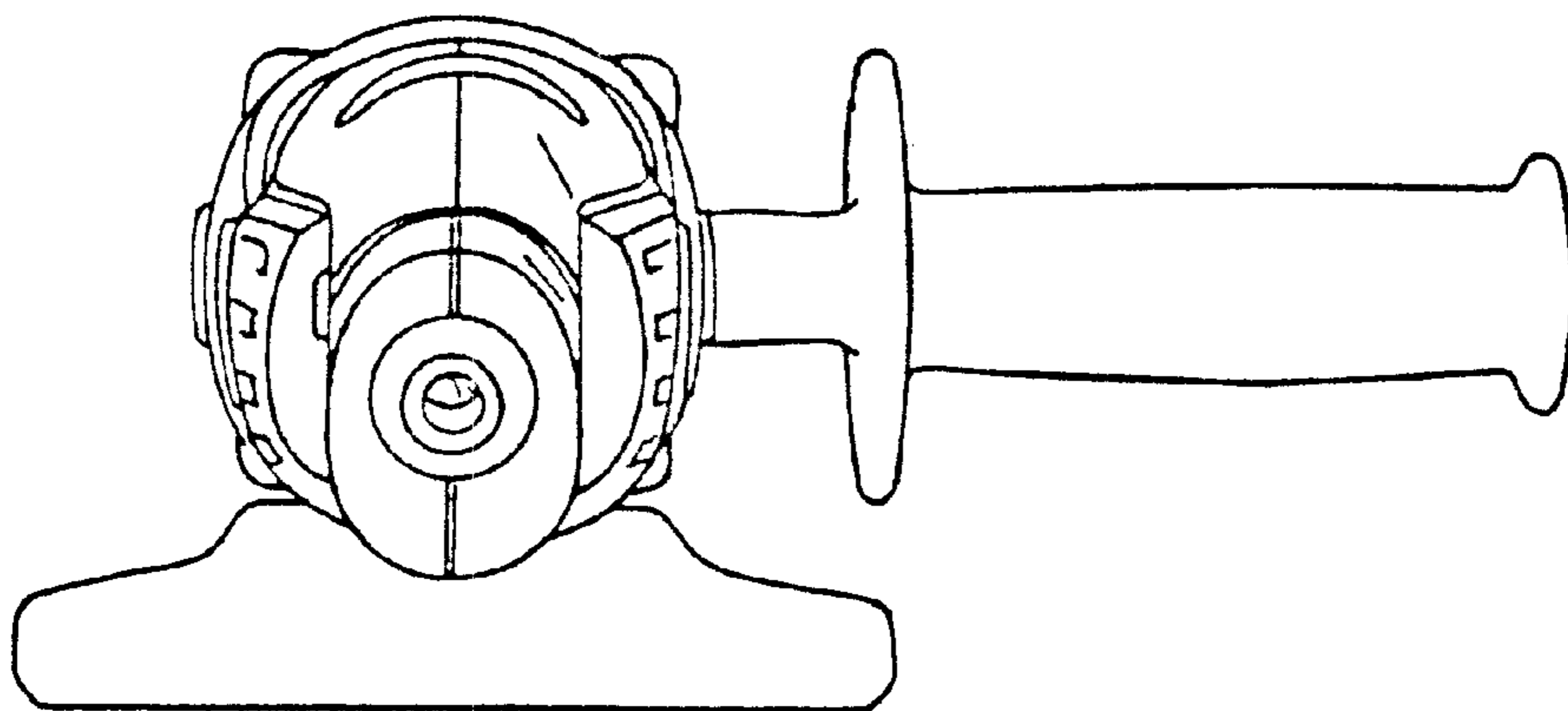


FIG. 3

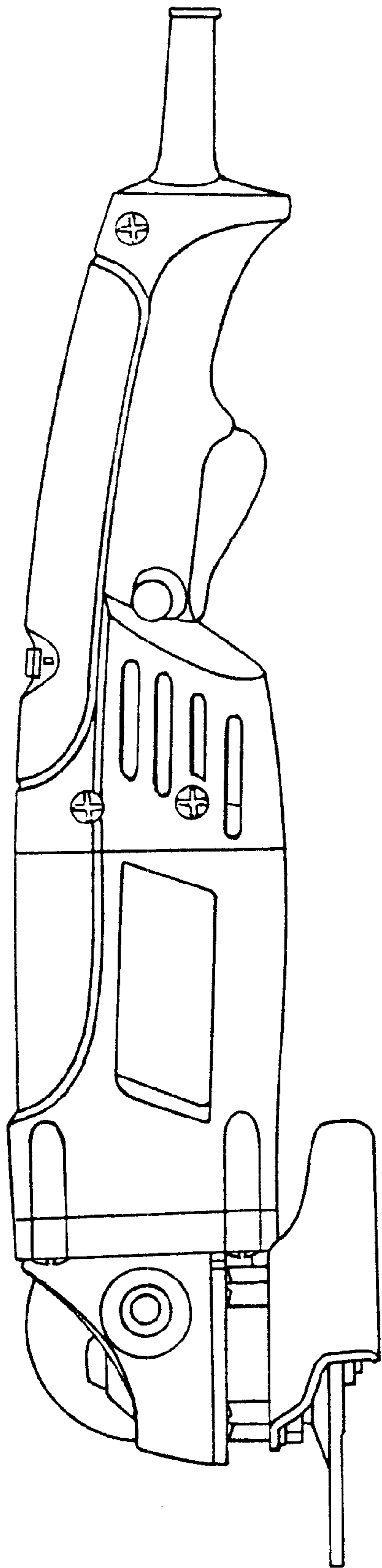


FIG. 4

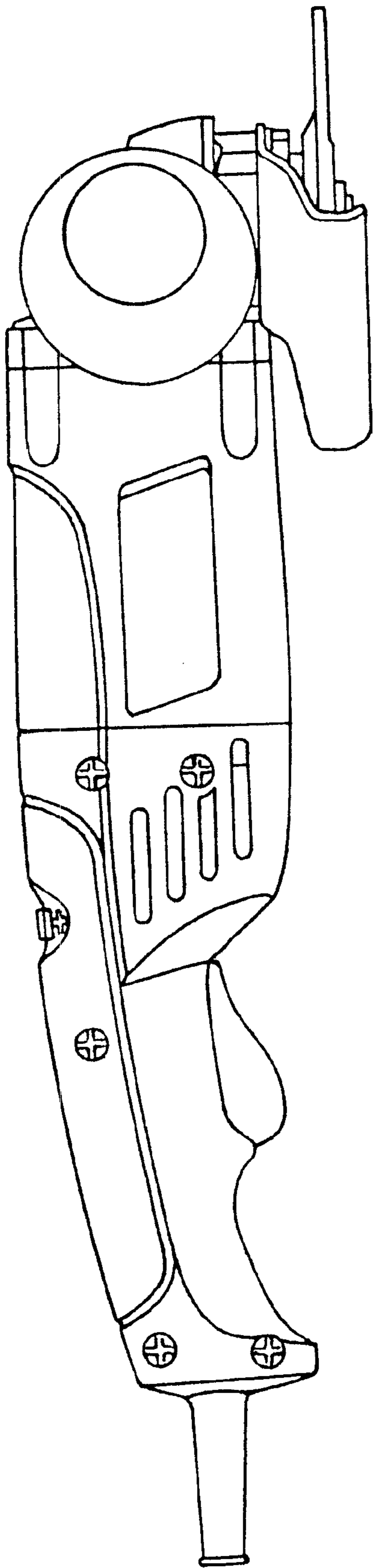


FIG. 5

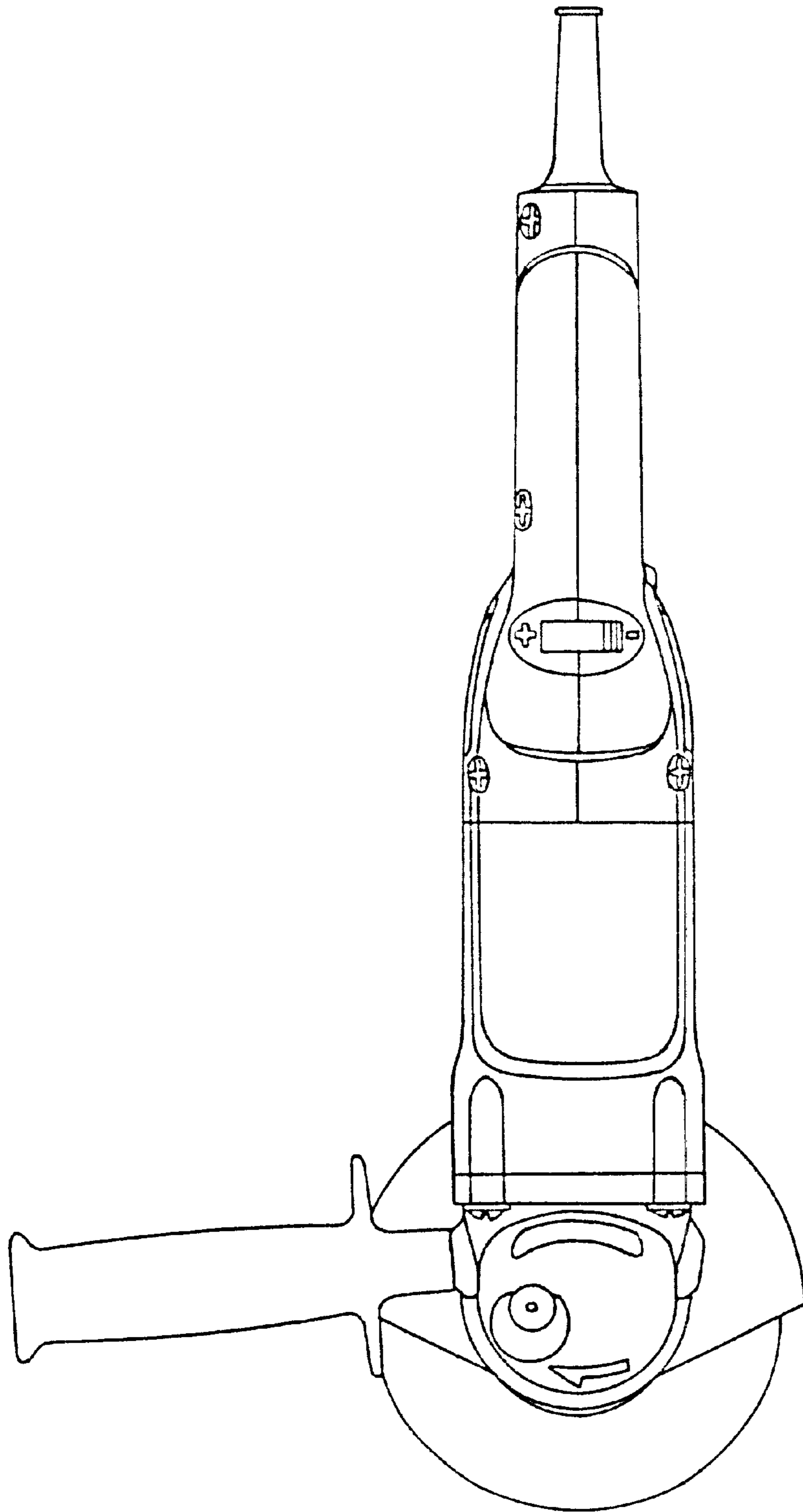


FIG. 6

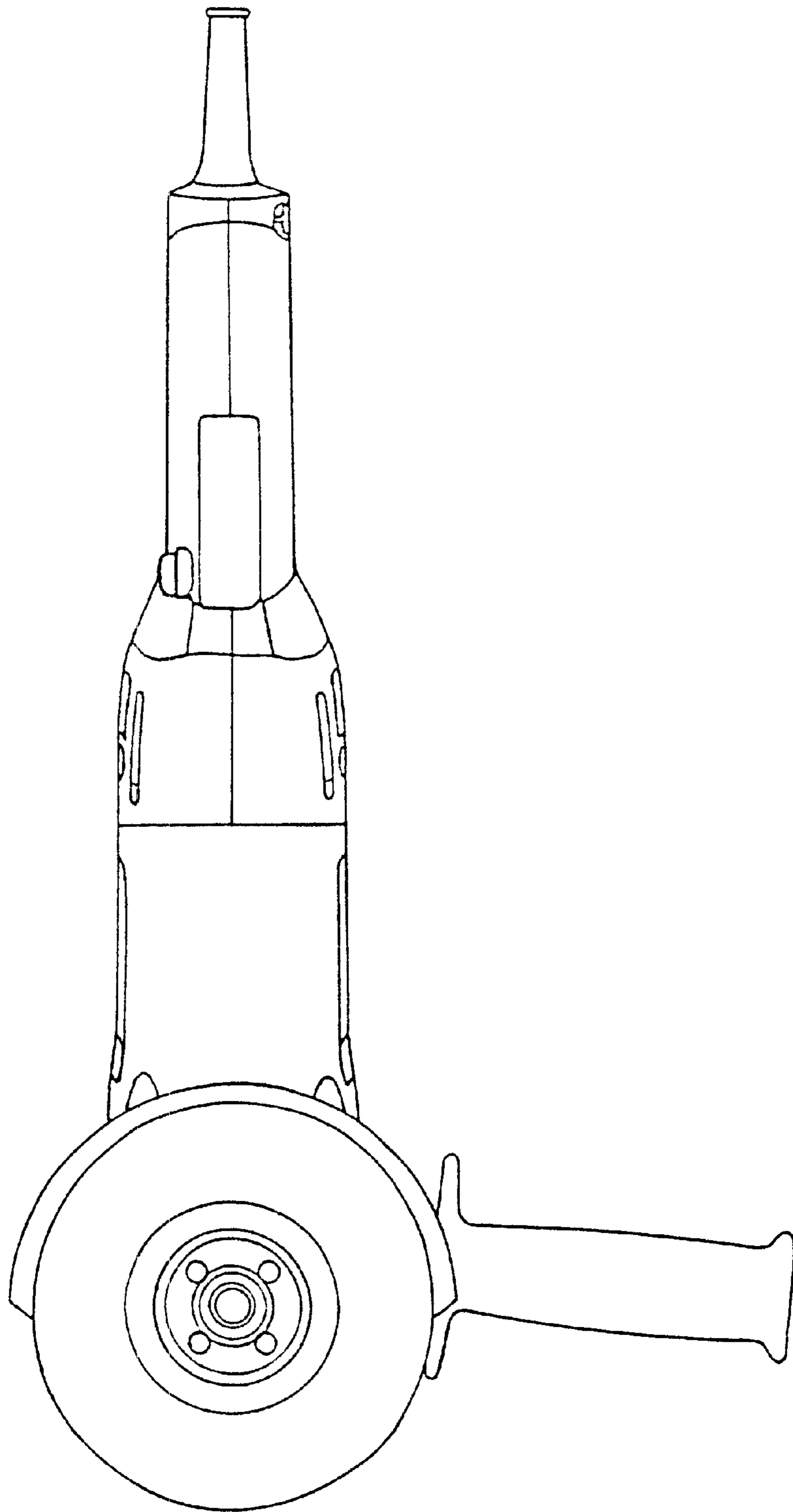


FIG. 7