



US00D475262S

(12) **United States Design Patent**
Hsieh

(10) **Patent No.:** **US D475,262 S**

(45) **Date of Patent:** **** Jun. 3, 2003**

(54) **CORKSCREW PROVIDED WITH A BOTTLE PLUG**

(76) **Inventor:** **David Hsieh**, 1F., No.275, Yung Fust St., San Chung Cuty, Taipei (TW)

(**) **Term:** **14 Years**

(21) **Appl. No.:** **29/166,986**

(22) **Filed:** **Sep. 9, 2002**

(51) **LOC (7) Cl.** **07-06**

(52) **U.S. Cl.** **D8/42**

(58) **Field of Search** D8/33-43, 308, D8/4, 5, 107, 52, 48; 30/400-443; 81/3.07-3.49; 7/151-156; D7/665, 666; 215/226

(56) **References Cited**

U.S. PATENT DOCUMENTS

| | | | | | | |
|-----------|---|---|---------|------------|-------|---------|
| 109,958 | A | * | 12/1870 | Smith | | 81/3.48 |
| 297,232 | A | * | 4/1884 | Curley | | 81/3.48 |
| 350,702 | A | * | 10/1886 | Schollhorn | | 215/226 |
| 476,777 | A | * | 6/1892 | Beust | | 215/226 |
| 514,200 | A | * | 2/1894 | Painter | | 81/3.55 |
| 757,548 | A | * | 4/1904 | Goodrich | | 215/226 |
| 952,085 | A | * | 3/1910 | Stephens | | 215/226 |
| 1,062,458 | A | * | 5/1913 | Hainisch | | 81/3.45 |
| 1,132,931 | A | * | 3/1915 | Hamilton | | 215/226 |
| 2,712,251 | A | * | 7/1955 | Hanson | | 81/3.45 |
| D239,362 | S | * | 3/1976 | Peterson | | D8/42 |
| 4,291,597 | A | * | 9/1981 | Allen | | 81/3.48 |
| 4,580,303 | A | * | 4/1986 | Henshaw | | 7/155 |
| D291,052 | S | * | 7/1987 | Henshaw | | D8/40 |

| | | | | | | |
|-----------|----|---|---------|----------|-------|---------|
| 5,031,486 | A | * | 7/1991 | Rydgren | | 81/3.45 |
| D339,969 | S | * | 10/1993 | Gonyaw | | D8/42 |
| D397,010 | S | * | 8/1998 | Usbeck | | D8/42 |
| 6,179,138 | B1 | * | 1/2001 | Puleston | | 215/226 |
| D455,059 | S | * | 4/2002 | Stirling | | D8/40 |

OTHER PUBLICATIONS

www.beantownmktgpromotions.com/wineaccessories.htm, item 2272 combined corkscrew and stopper, site viited Nov. 27, 2002 (also at www.franmara.com).*

Collectible Corkscrews by Frederique Crestin-Billet; ISBN; 2-8010-551-5; English language edition. Copyright 2001 Flammarion Inc.; p.148 corkscrew with artificial cork.*

* cited by examiner

Primary Examiner—Jeffrey Asch

(57) **CLAIM**

The ornamental design for the corkscrew provided with a bottle plug, as shown and described.

DESCRIPTION

FIG. 1 is a front elevation of the corkscrew provided with a bottle plug;

FIG. 2 is a left side elevation thereof;

FIG. 3 is a right side elevation thereof;

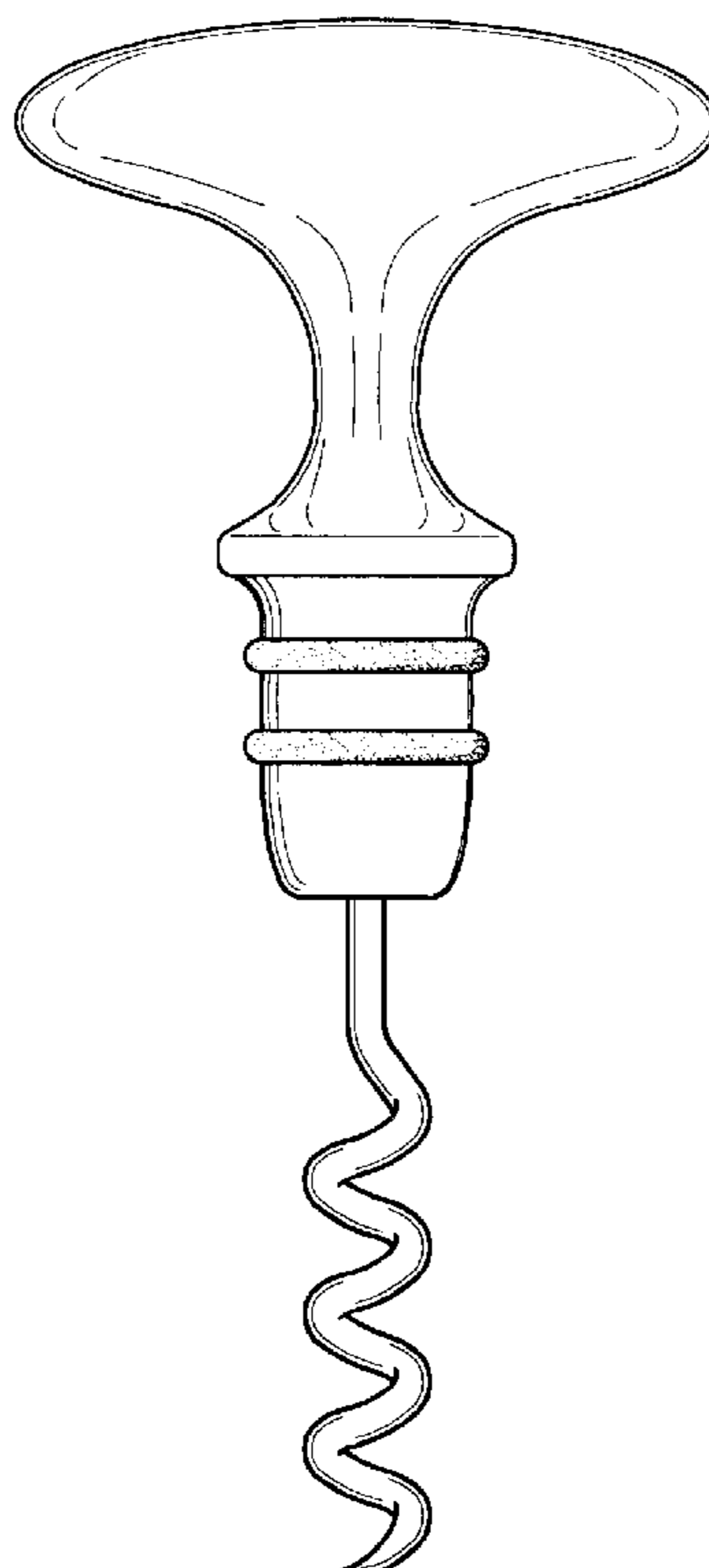
FIG. 4 is a bottom plan view thereof;

FIG. 5 is a top plan view thereof;

FIG. 6 is a rear elevation thereof; and,

FIG. 7 is a perspective view thereof.

1 Claim, 4 Drawing Sheets



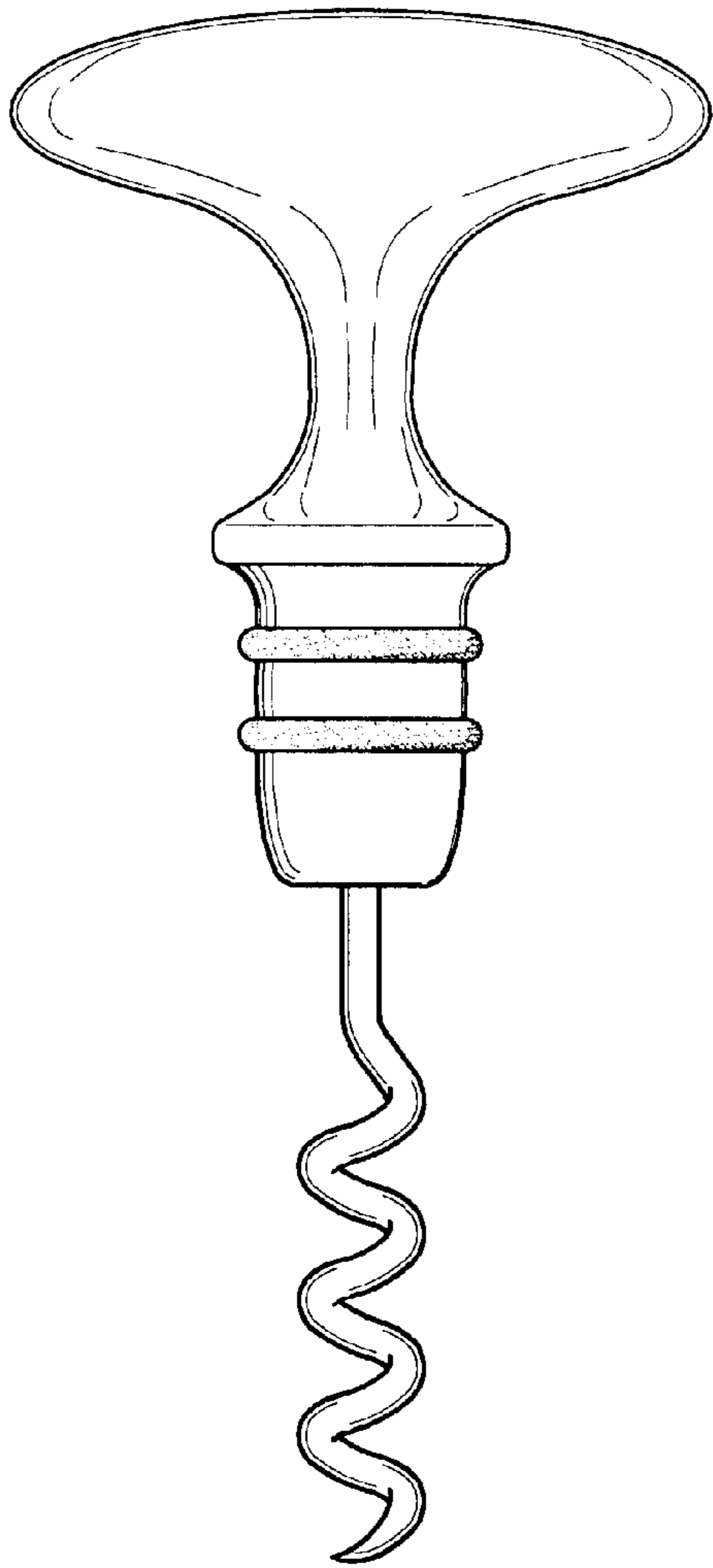


Fig. 1

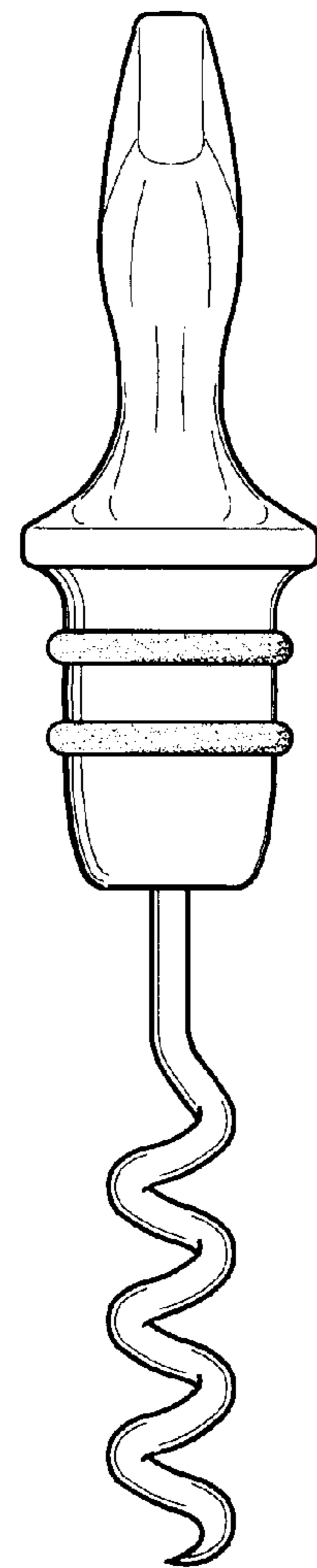


Fig. 2

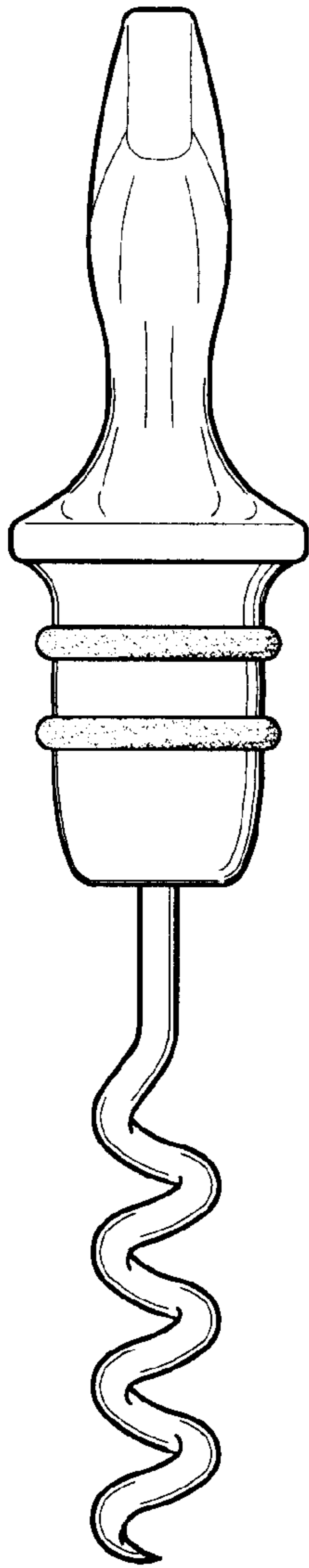


Fig. 3

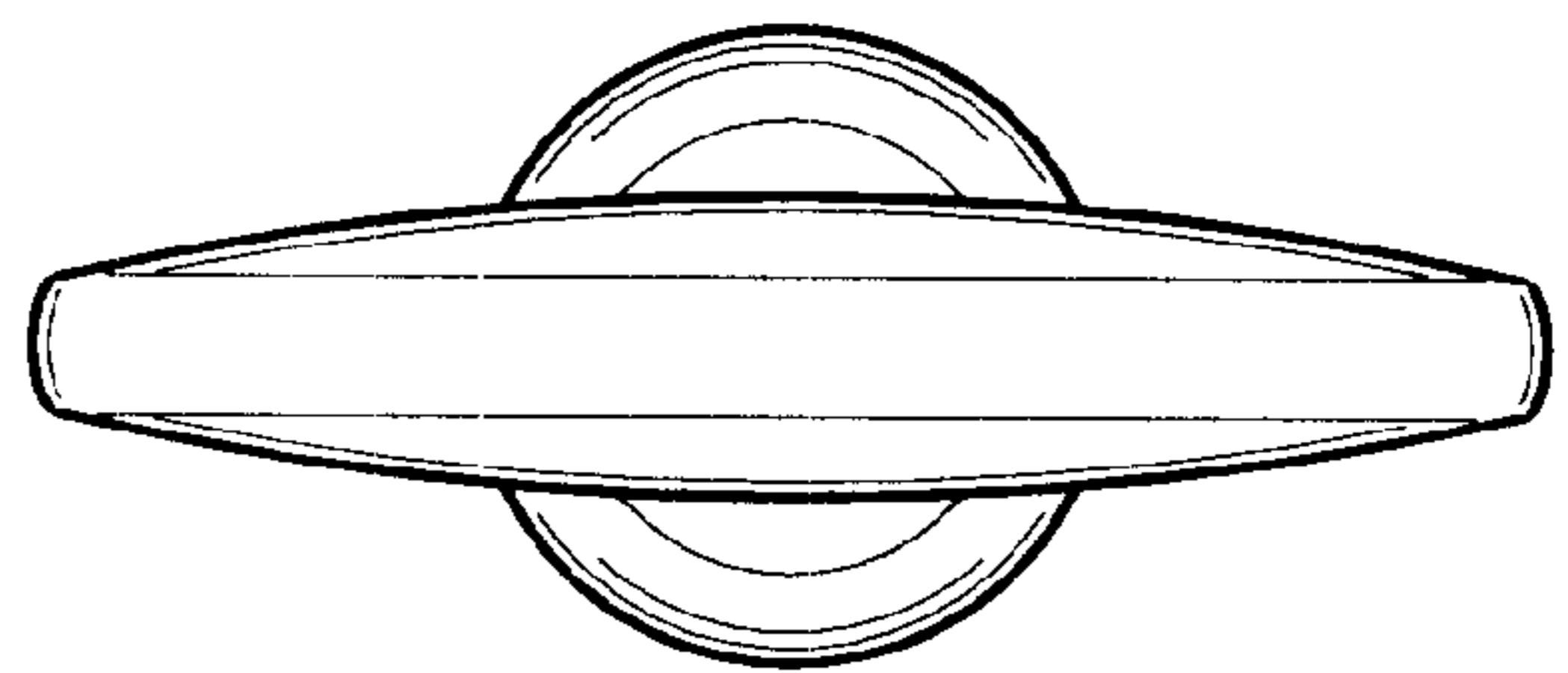


Fig. 4

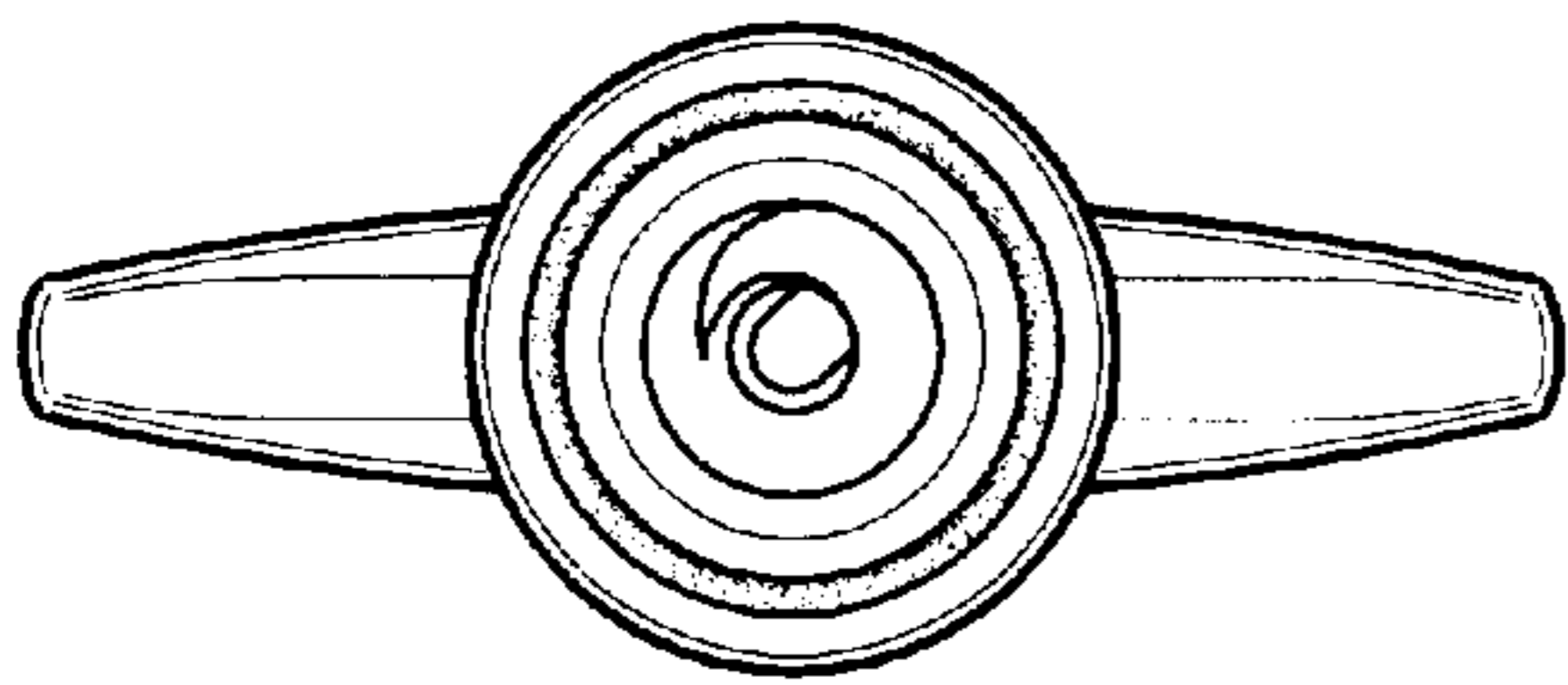


Fig. 5

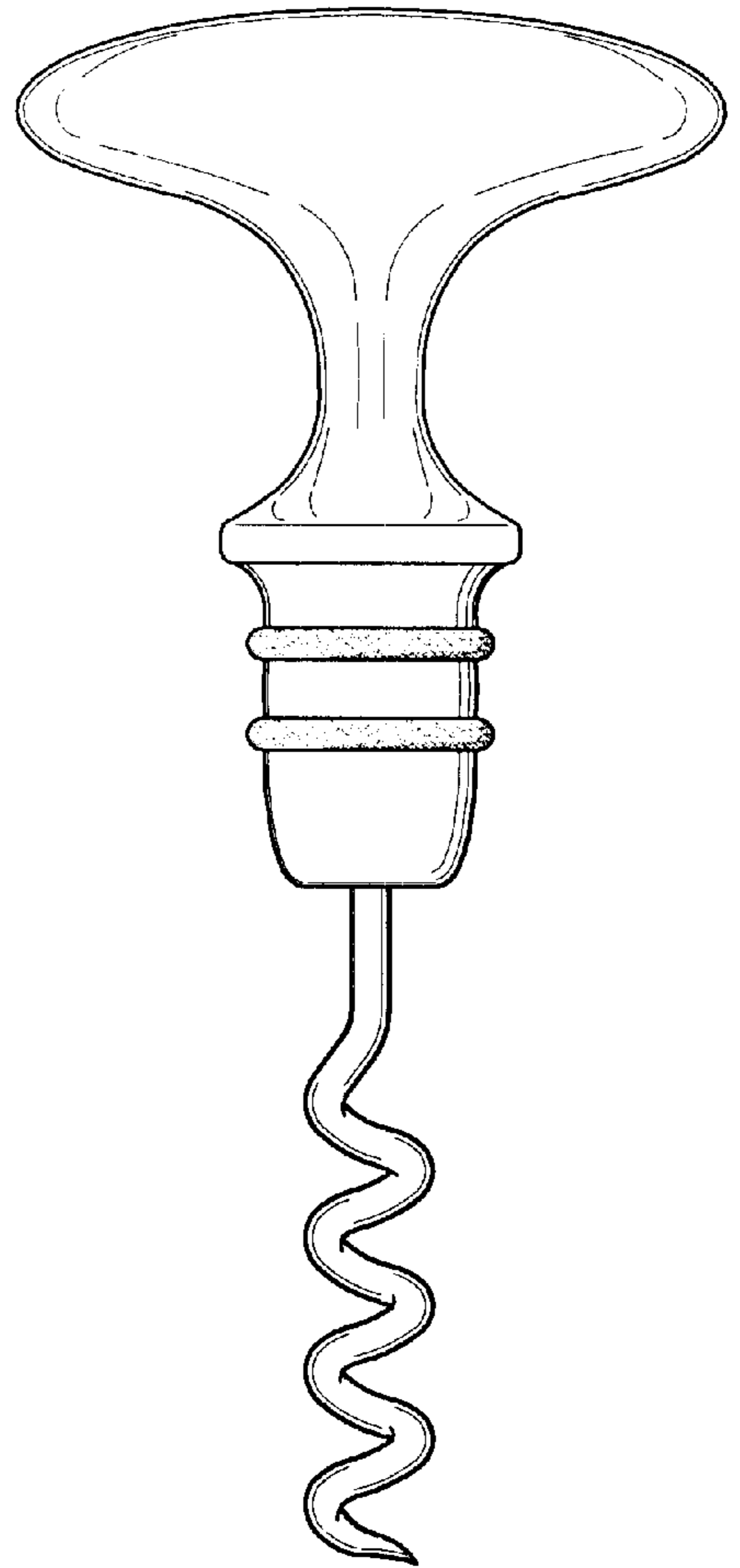


Fig. 6

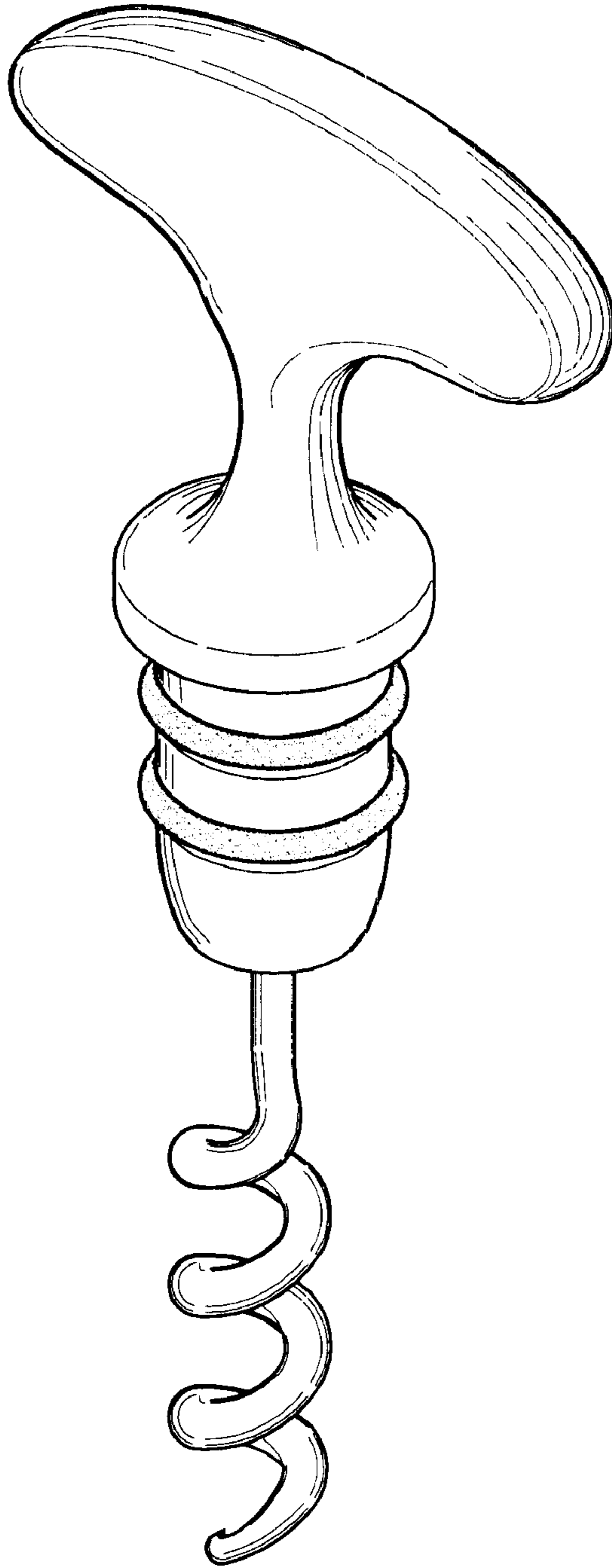


Fig. 7