



US00D475259S

(12) **United States Design Patent**
Källberg

(10) **Patent No.:** **US D475,259 S**

(45) **Date of Patent:** **** Jun. 3, 2003**

(54) **REFUELLING HANDLE**

5,829,491 A * 11/1998 Bennett 141/59

(75) Inventor: **Sylvid Källberg**, Vallentuna (SE)

* cited by examiner

(73) Assignee: **Identic AB**, Vallentuna (SE)

Primary Examiner—Pamela Burgess

(**) Term: **14 Years**

(74) *Attorney, Agent, or Firm*—Young & Thompson

(21) Appl. No.: **29/168,022**

(57) **CLAIM**

(22) Filed: **Sep. 26, 2002**

The ornamental design for a refuelling handle, as shown.

(30) **Foreign Application Priority Data**

DESCRIPTION

Mar. 26, 2002 (SE) 02-0544

(51) **LOC (7) Cl.** **08-05**

(52) **U.S. Cl.** **D8/14**

(58) **Field of Search** D8/30, 14, 14.1,
D8/69, 68, 29.1, 29.2; D15/9.1, 9.2, 9.3;
141/392, 206, 208, 312, 382, 94, 96, 352;
222/528, 75; D23/200, 223, 226

FIG. 1 is a right side elevational view of a refuelling handle, showing my new design;

FIG. 2 is a front view thereof;

FIG. 3 is a left side elevational view thereof;

FIG. 4 is a rear view thereof;

FIG. 5 is a top plan view thereof; and,

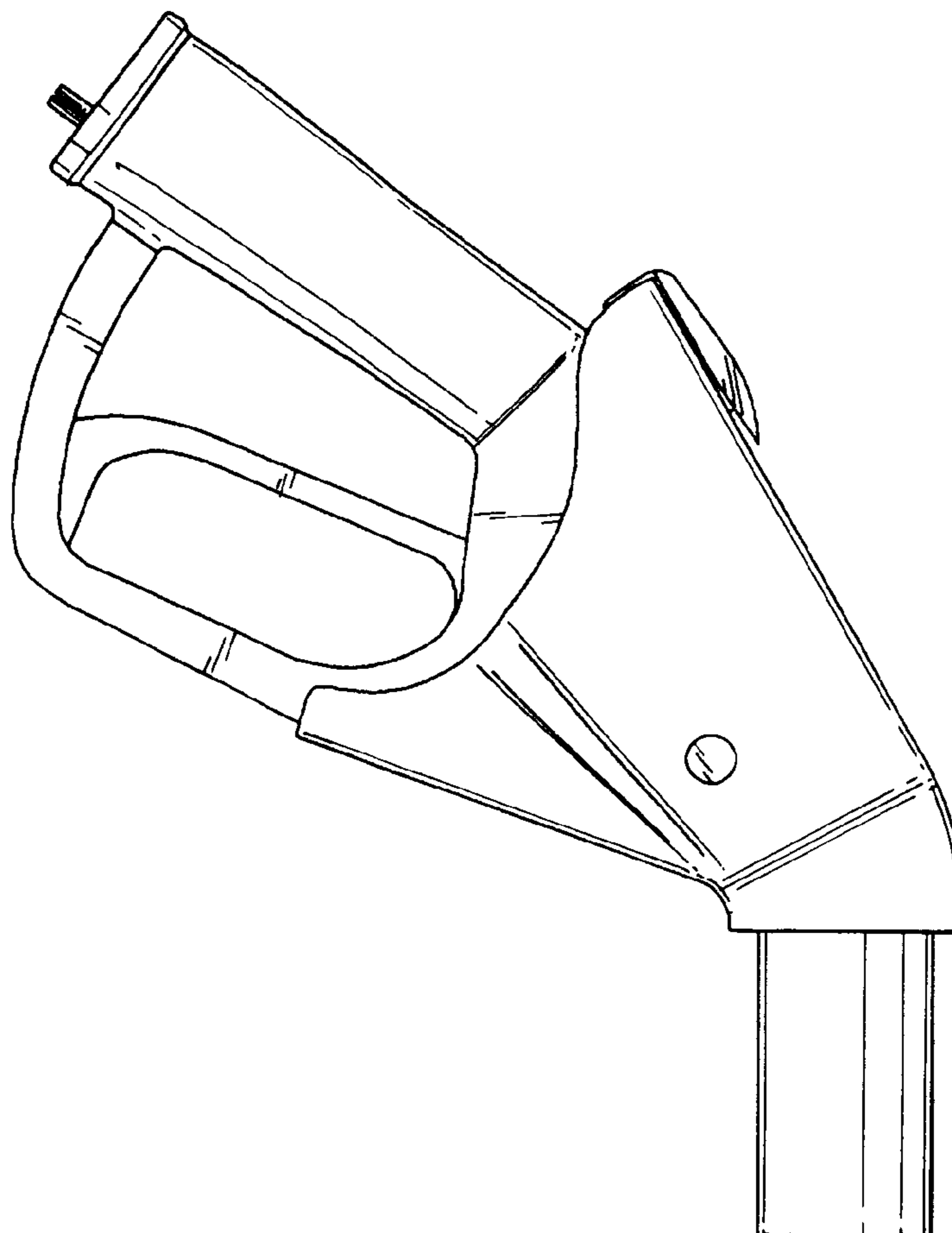
FIG. 6 is a bottom plan view thereof.

(56) **References Cited**

U.S. PATENT DOCUMENTS

5,004,023 A * 4/1991 Monticup, et al. 141/208

1 Claim, 1 Drawing Sheet



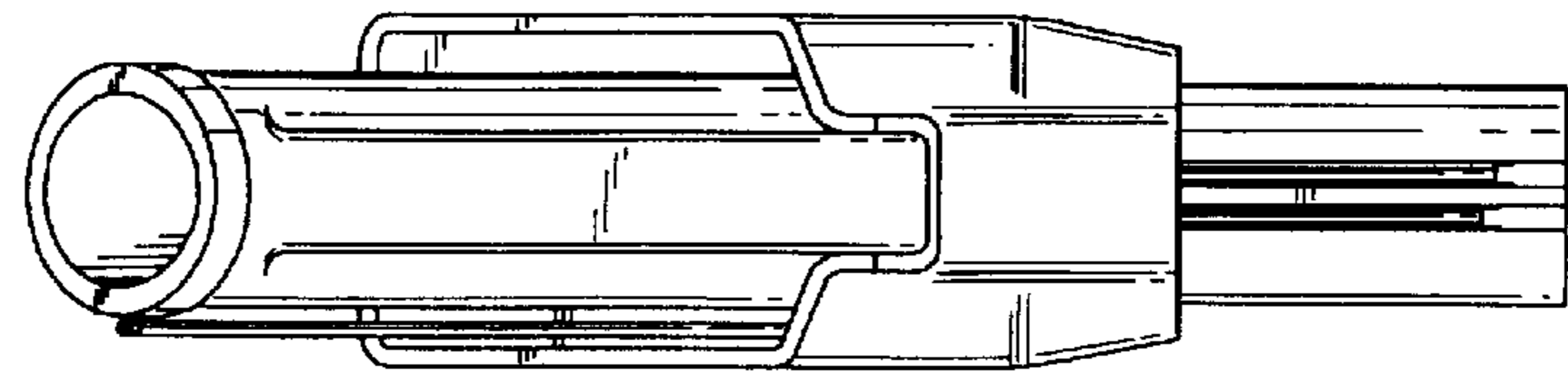


FIG. 4

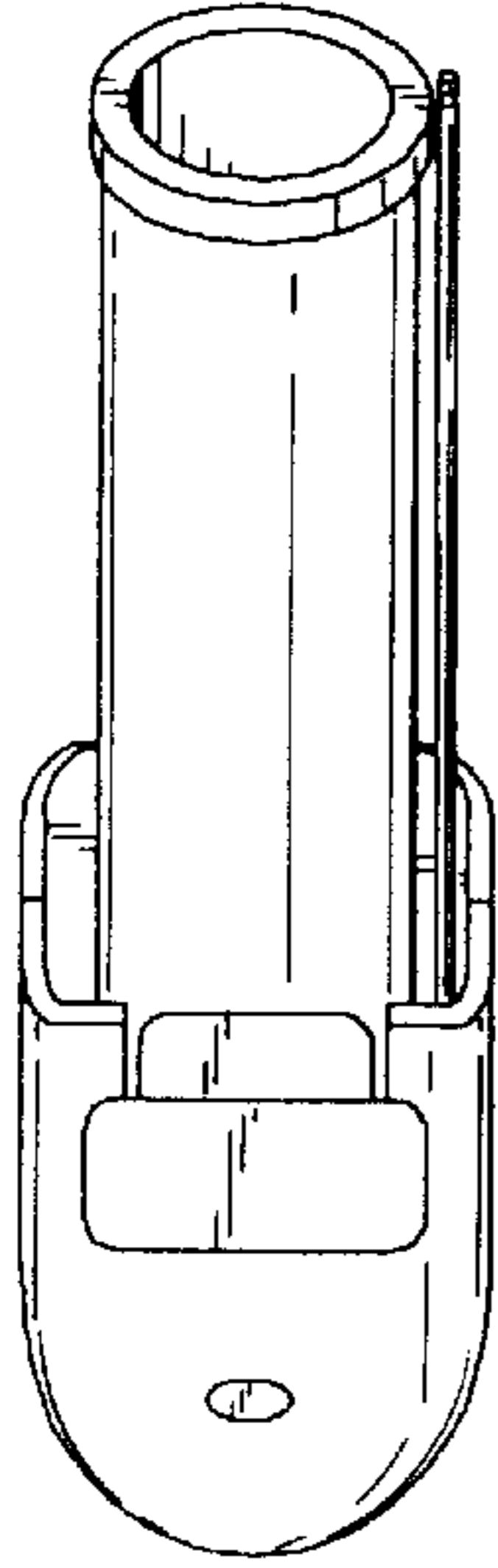


FIG. 5

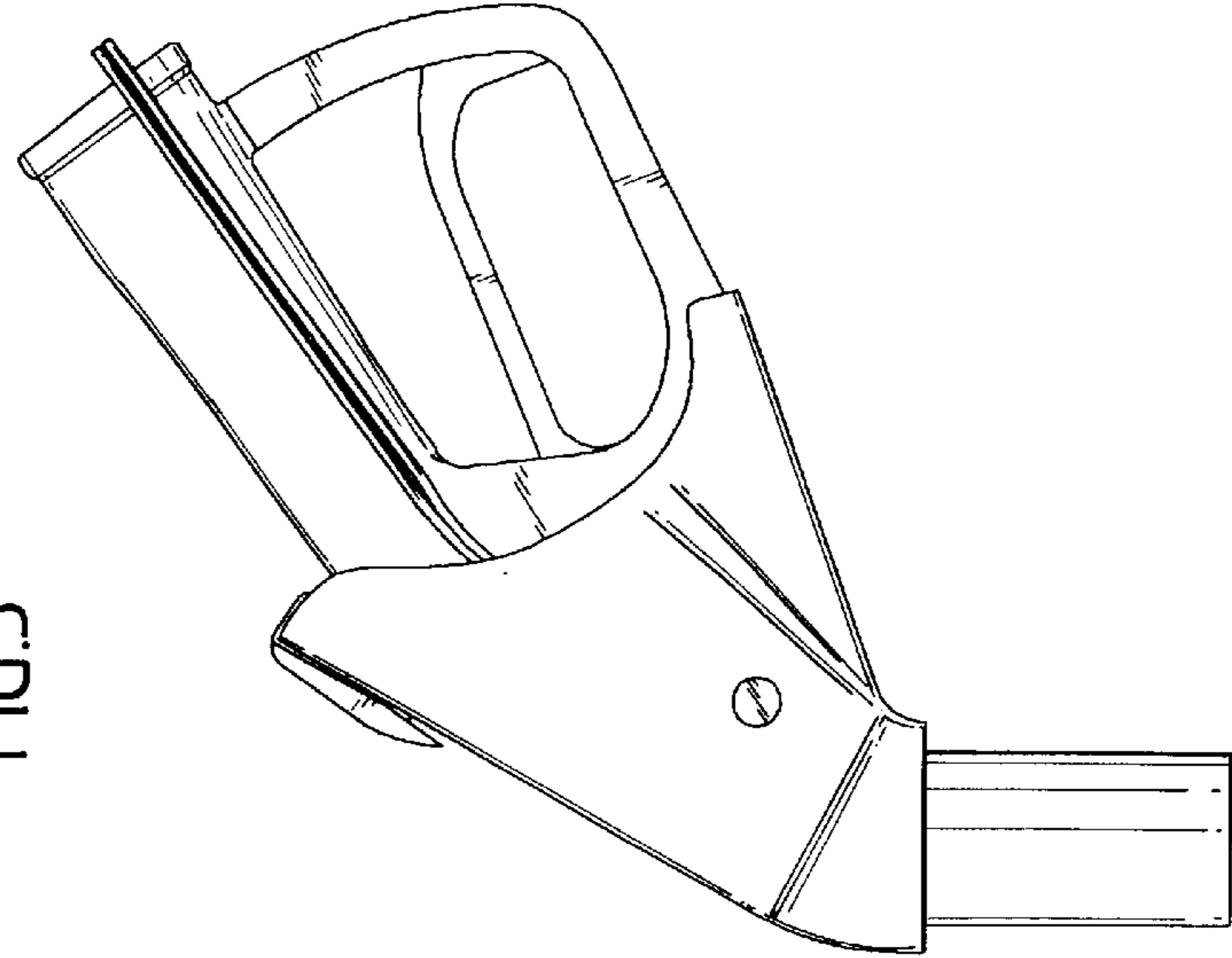


FIG. 3

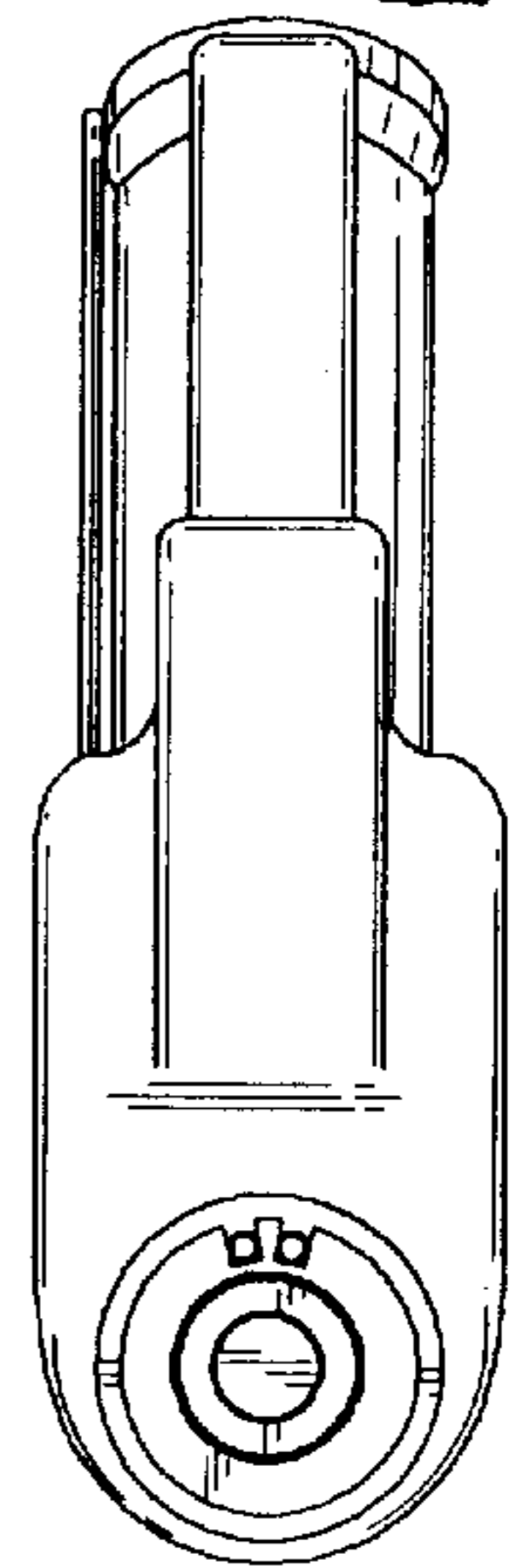


FIG. 6

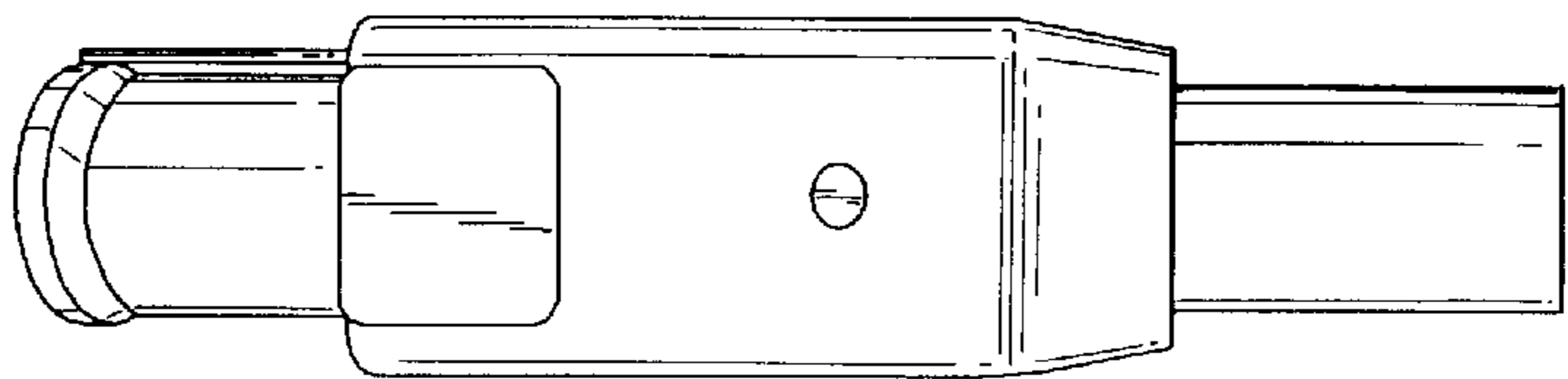


FIG. 2

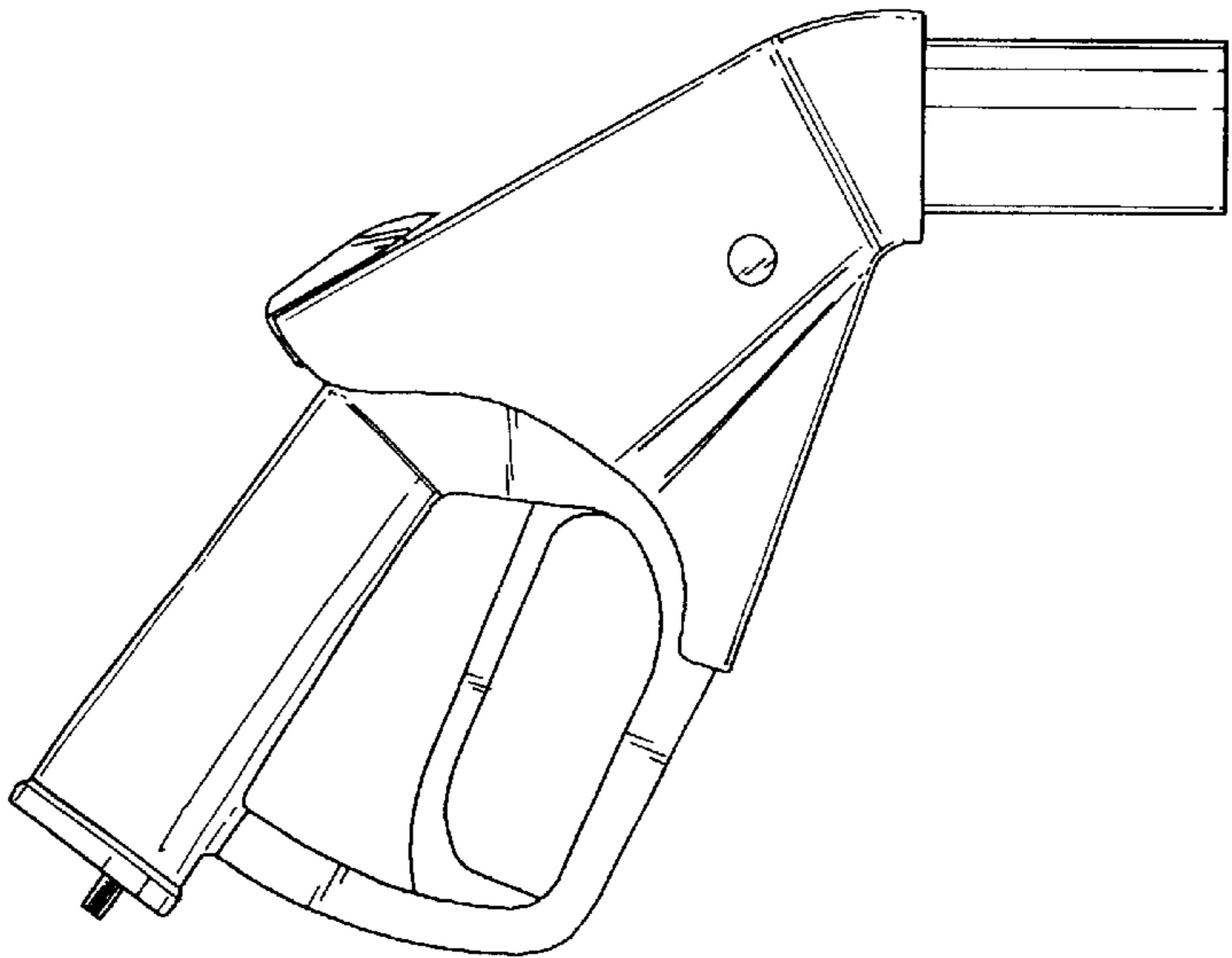


FIG. 1