



US00D475257S

(12) **United States Design Patent**  
**Somers**

(10) **Patent No.:** **US D475,257 S**

(45) **Date of Patent:** **\*\* Jun. 3, 2003**

(54) **SNOW SHOVEL**

(76) Inventor: **Robert S. Somers**, 10414 Pine Ridge Rd., Greenfield, WI (US) 53228

(\*\*) Term: **14 Years**

(21) Appl. No.: **29/166,116**

(22) Filed: **Aug. 22, 2002**

(51) **LOC (7) Cl.** ..... **08-01**

(52) **U.S. Cl.** ..... **D8/10**

(58) **Field of Search** ..... D8/1, 10; 294/49, 294/54.5, 60, 51

(56) **References Cited**

**U.S. PATENT DOCUMENTS**

D265,169 S	*	6/1982	Bunnell et al.	.....	D8/10
D333,074 S	*	2/1993	Ciccarelli	.....	D8/10
5,228,734 A	*	7/1993	Pollastro	.....	294/54.5
D375,882 S	*	11/1996	Ritchie et al.	.....	D8/10
5,887,919 A	*	3/1999	Sallinen et al.	.....	294/54.5
D409,885 S	*	5/1999	McKenzie	.....	D8/10
D417,826 S	*	12/1999	Yacobi et al.	.....	D8/10

\* cited by examiner

*Primary Examiner*—Robin V. Taylor

(74) *Attorney, Agent, or Firm*—Reinhart Boerner Van Deuren S.C.

(57) **CLAIM**

The ornamental design for a snow shovel, as shown and described.

**DESCRIPTION**

FIG. 1 is a perspective view of the snow shovel of the present invention from a position to the right and forward of the shovel;

FIG. 2 is a front elevation view of the snow shovel illustrated in FIG. 1;

FIG. 3 is a side elevation view of the snow shovel illustrated in FIGS. 1 and 2 from the left side thereof, the right side thereof being a mirror image of the right side shown in FIG. 3;

FIG. 4 is a rear elevation view of the snow shovel illustrated in FIGS. 1 through 3;

FIG. 5 is a top plan view of the snow shovel illustrated in FIGS. 1 through 4; and,

FIG. 6 is a bottom plan view of the snow shovel illustrated in FIGS. 1 through 5.

**1 Claim, 4 Drawing Sheets**

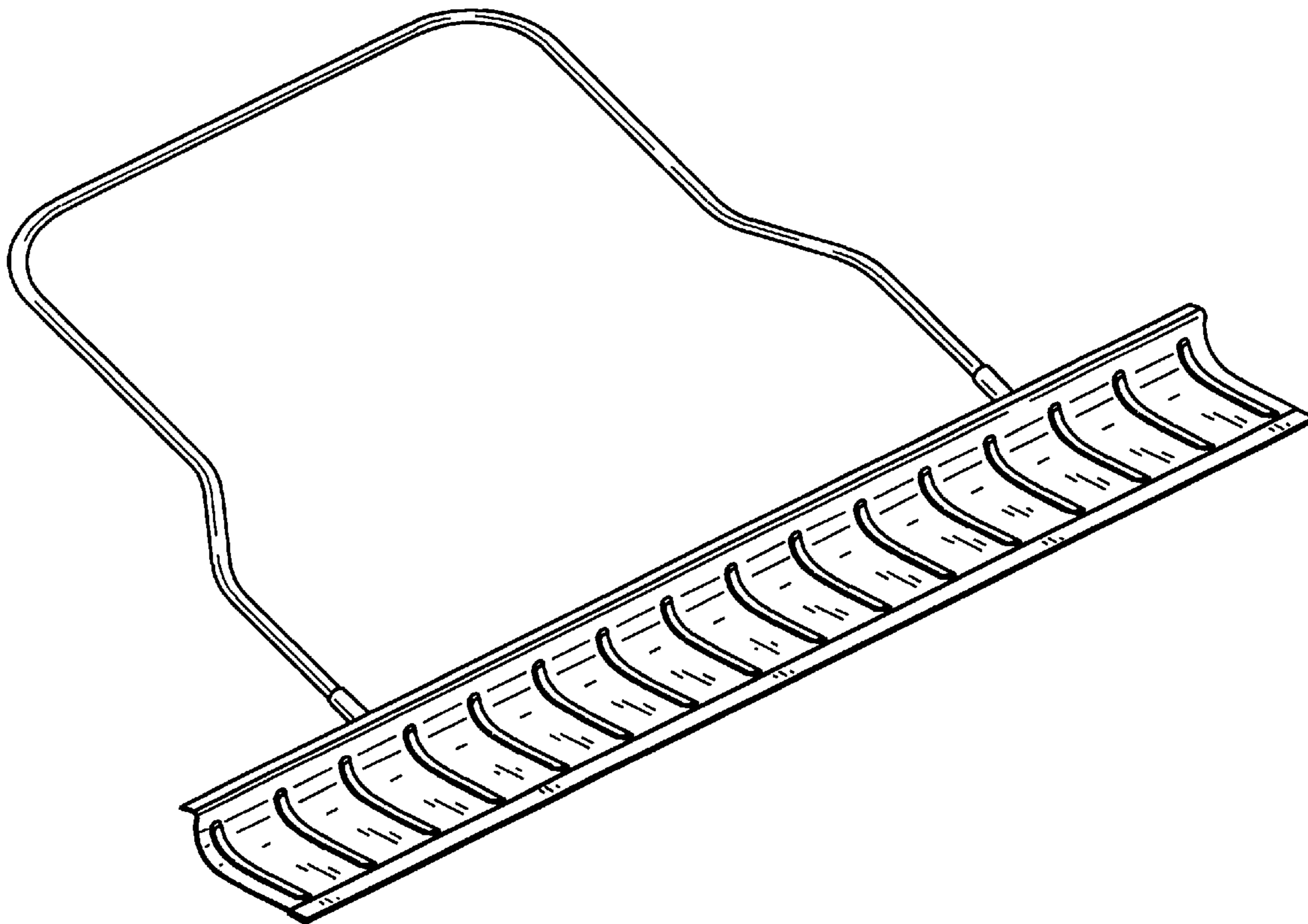
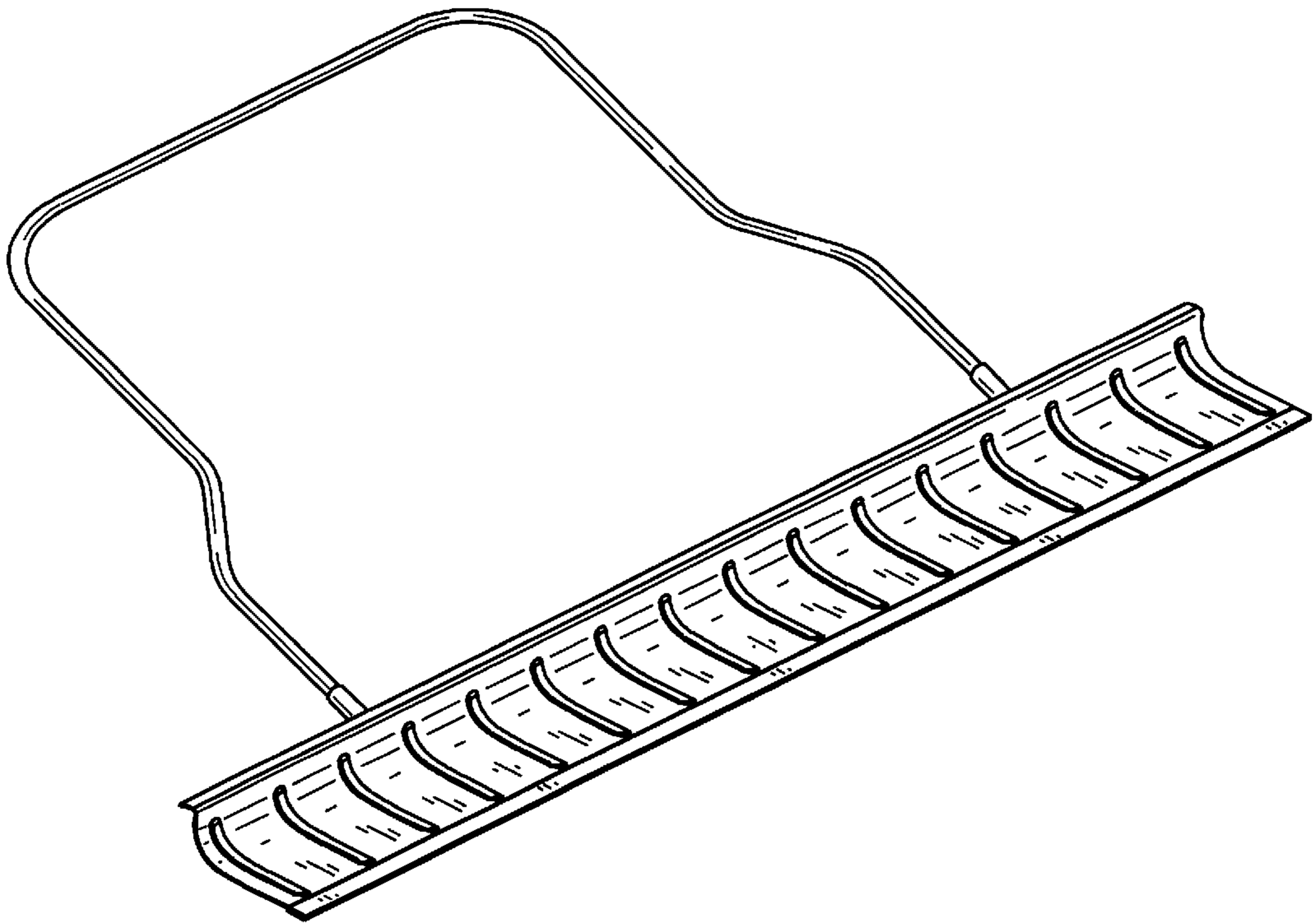


FIG. 1



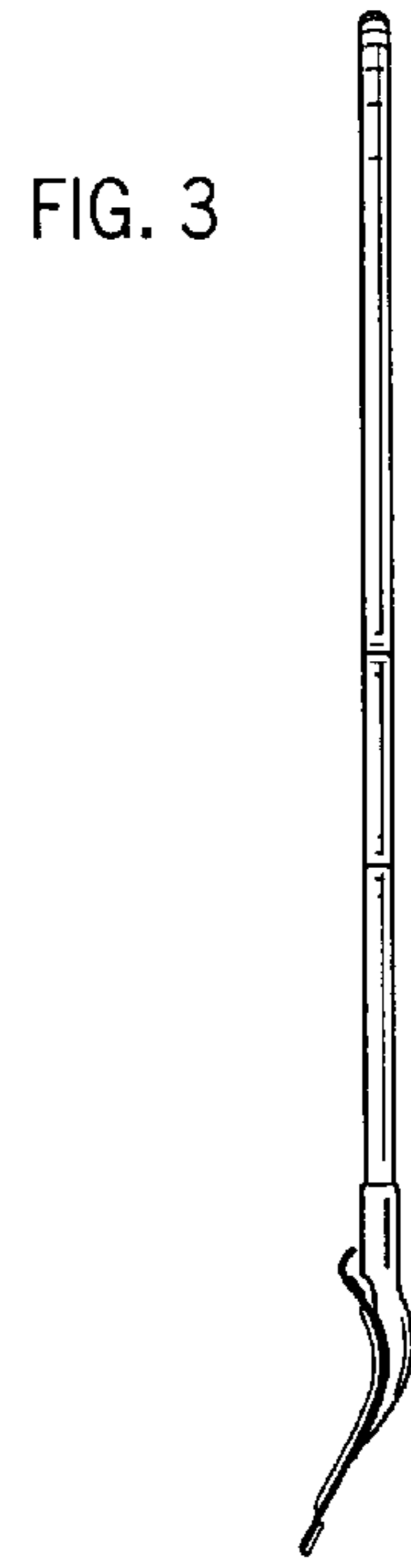
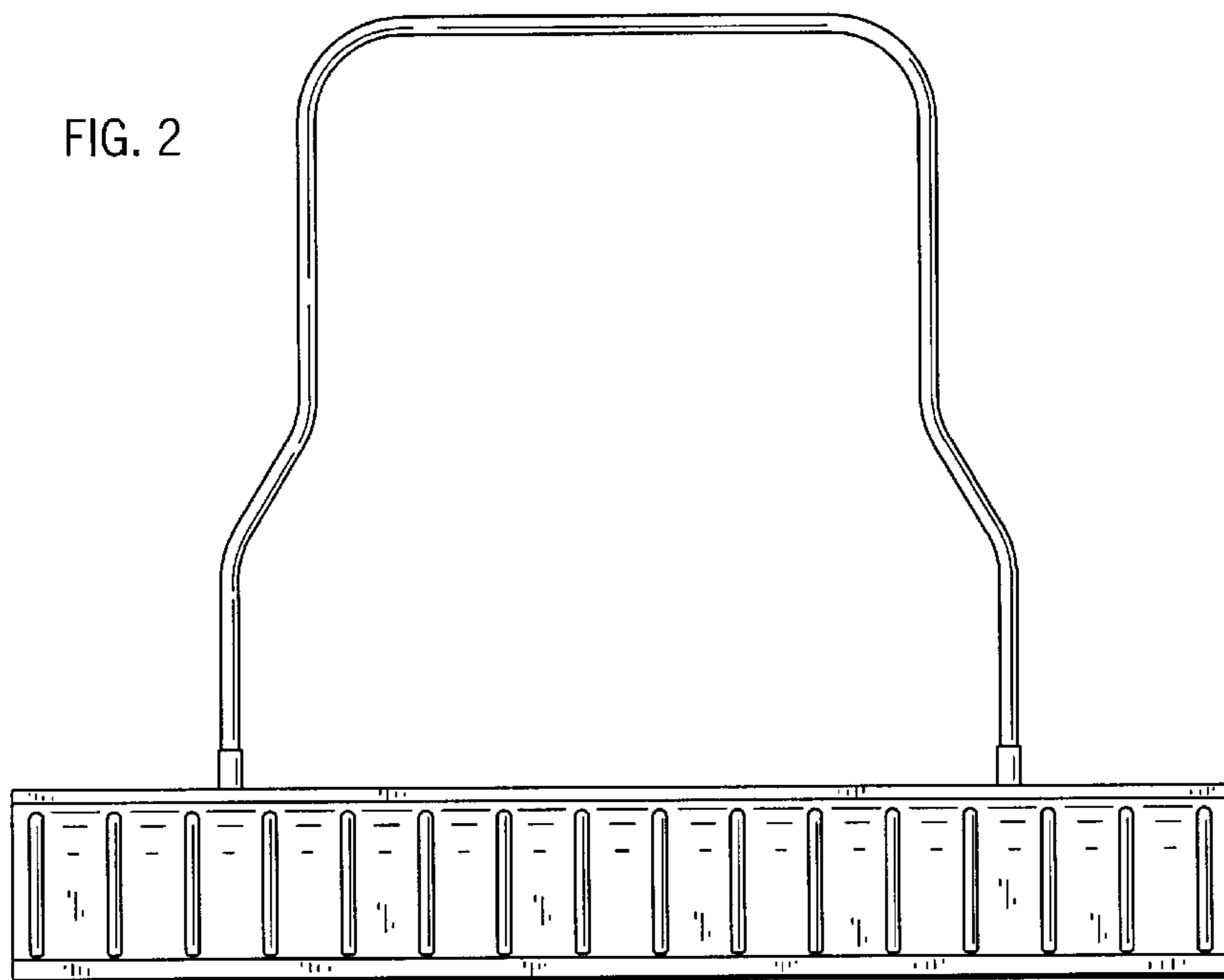


FIG. 4

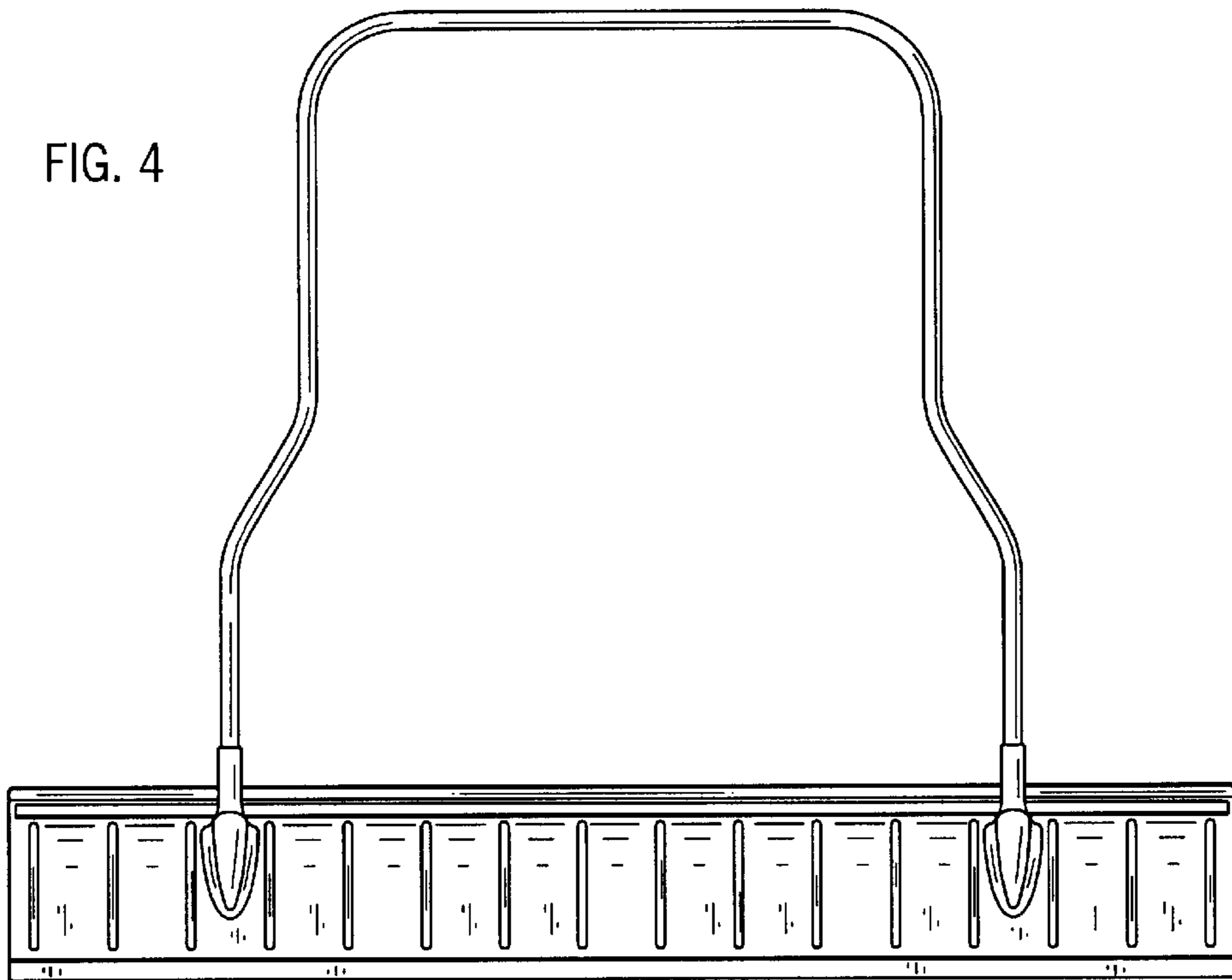


FIG. 5

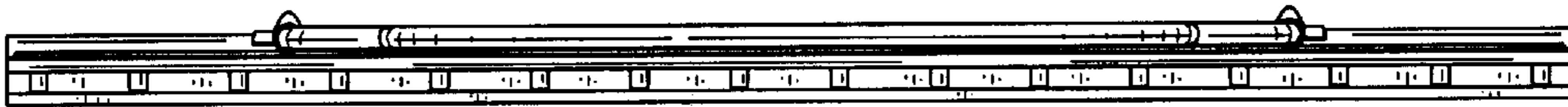


FIG. 6

