



US00D475256S

(12) **United States Design Patent**
Yamane et al.

(10) **Patent No.:** **US D475,256 S**

(45) **Date of Patent:** **** Jun. 3, 2003**

(54) **CUTTER FOR EDGE TRIMMER**
(75) Inventors: **Yoshiro Yamane, Akashi (JP); Tadao Yashirodai, Kakogawa (JP); Kazuhiko Takemoto, Kakogawa (JP)**

5,383,330 A 1/1995 Yokocho et al.
5,490,371 A * 2/1996 Potucek, III 56/17.2
D423,308 S * 4/2000 Marshall et al. D8/8
6,263,975 B1 * 7/2001 Rosa et al. 172/15
6,293,349 B1 * 9/2001 Marshall et al. 172/123
D460,668 S * 7/2002 Yamane et al. D8/8

(73) Assignee: **Kawasaki Jukogyo Kabushiki Kaisha, Kobe (JP)**

* cited by examiner

(**) Term: **14 Years**

Primary Examiner—Mitchell Siegel
(74) *Attorney, Agent, or Firm*—Wenderoth, Lind & Ponack, L.L.P.

(21) Appl. No.: **29/135,713**

(22) Filed: **Jan. 18, 2001**

(30) **Foreign Application Priority Data**

Jul. 19, 2000 (JP) 2000-019908

(51) **LOC (7) Cl.** **08-01**

(52) **U.S. Cl.** **D8/8**

(58) **Field of Search** D8/8, 1; D15/10;
56/17.4, 12.1, 12.7, 17.1, 17.2; 172/15,
41; 180/19.3

(56) **References Cited**

U.S. PATENT DOCUMENTS

4,365,535 A * 12/1982 Buttner et al. 248/412

(57) **CLAIM**

The ornamental design for a cutter for edge trimmer, as shown and described.

DESCRIPTION

FIG. 1 is a perspective view of a cutter for edge trimmer; FIG. 2 is a front elevational view thereof; FIG. 3 is a rear elevational view thereof; FIG. 4 is a right side elevational view thereof; FIG. 5 is a left side elevational view thereof; FIG. 6 is a top plan view thereof; and, FIG. 7 is a bottom plan view thereof.

1 Claim, 2 Drawing Sheets

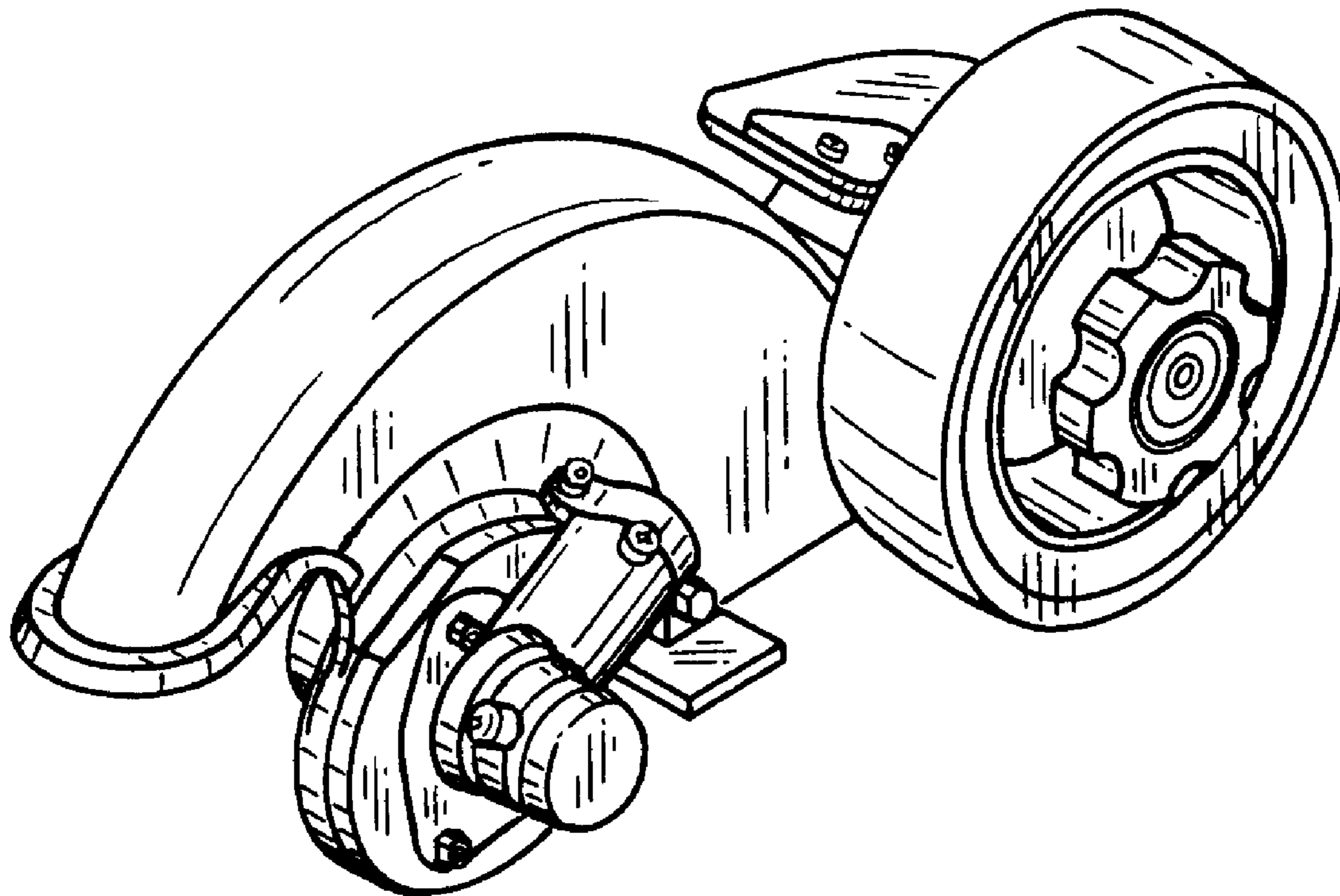


FIG. 1

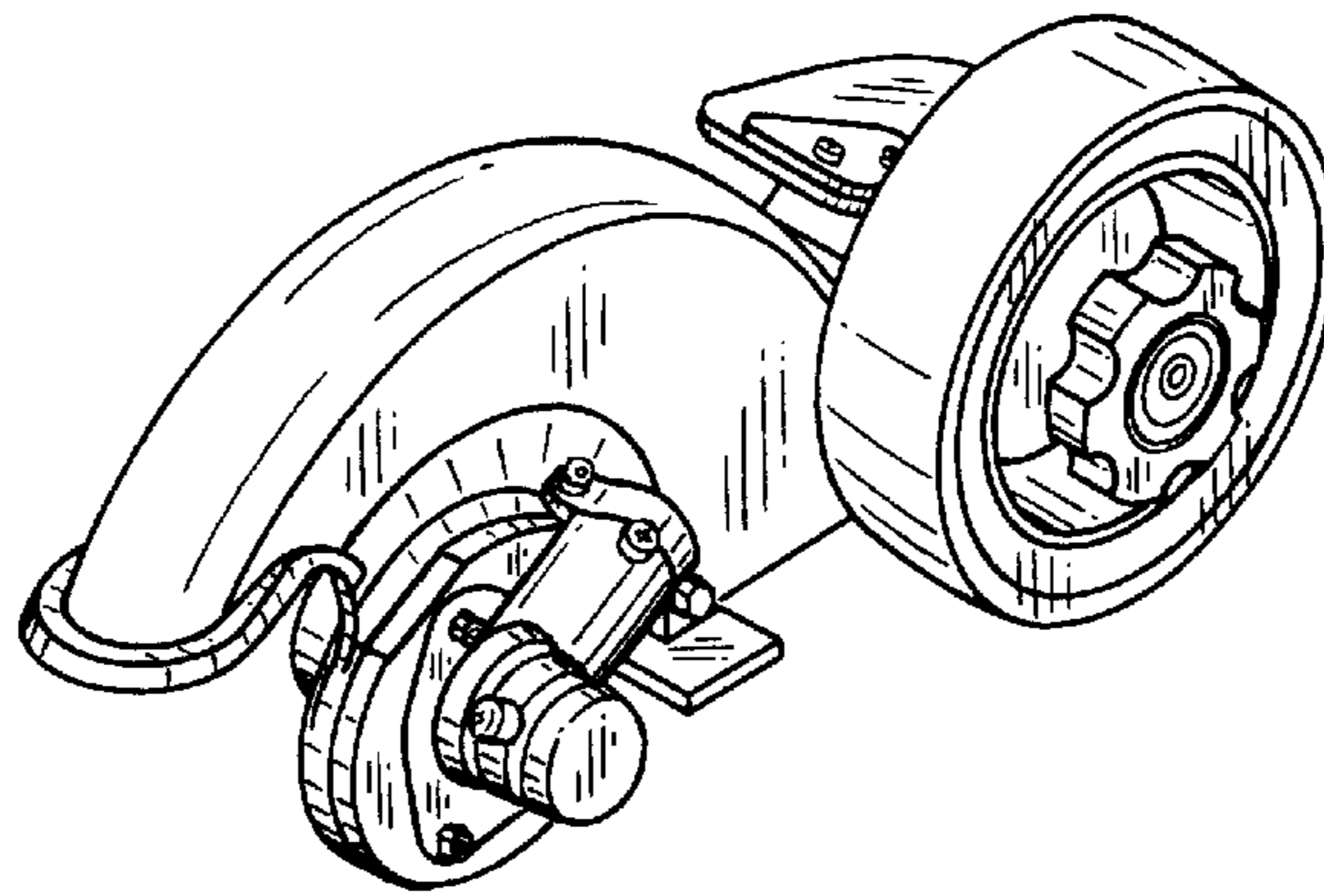


FIG. 2

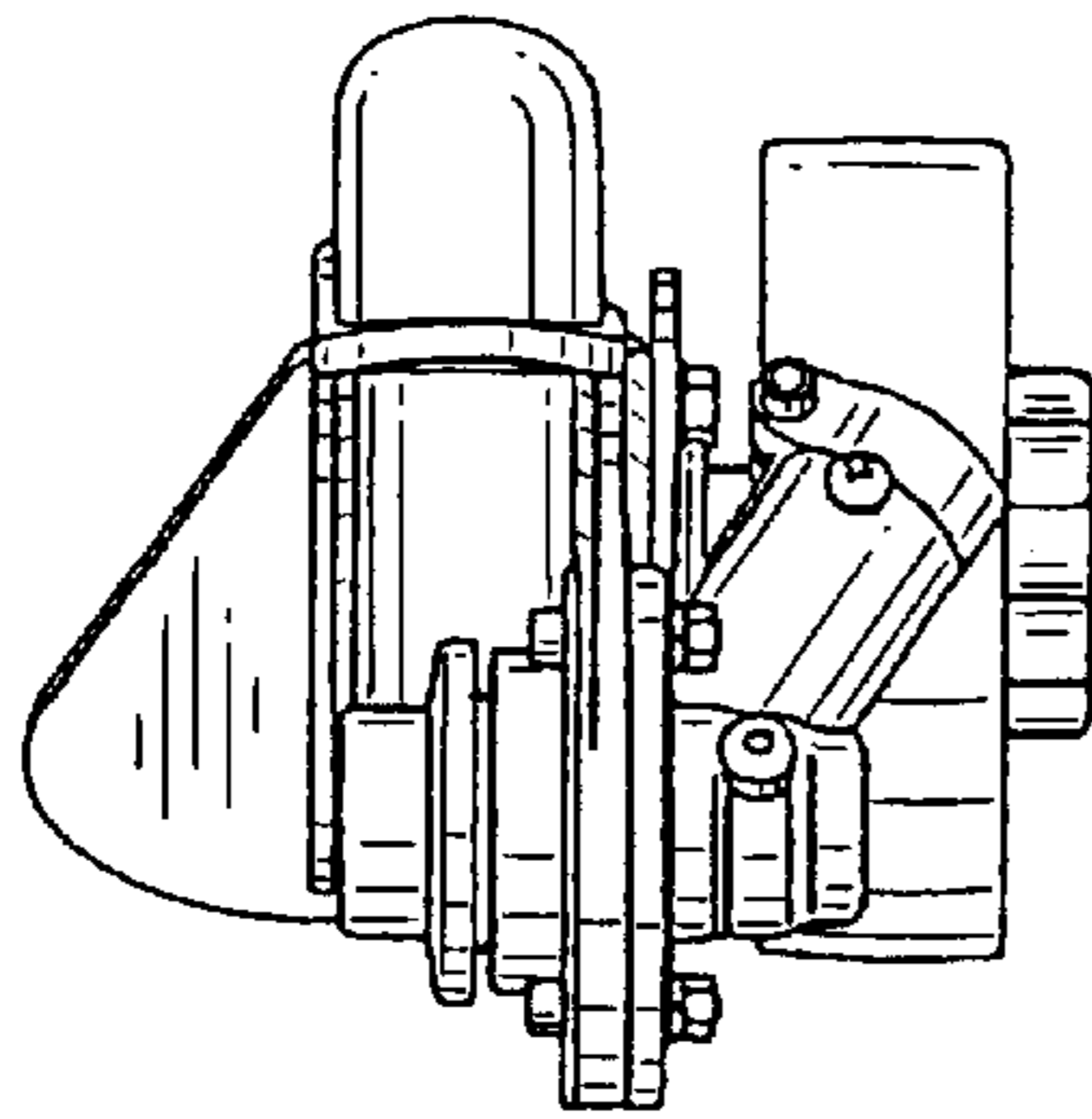


FIG. 3

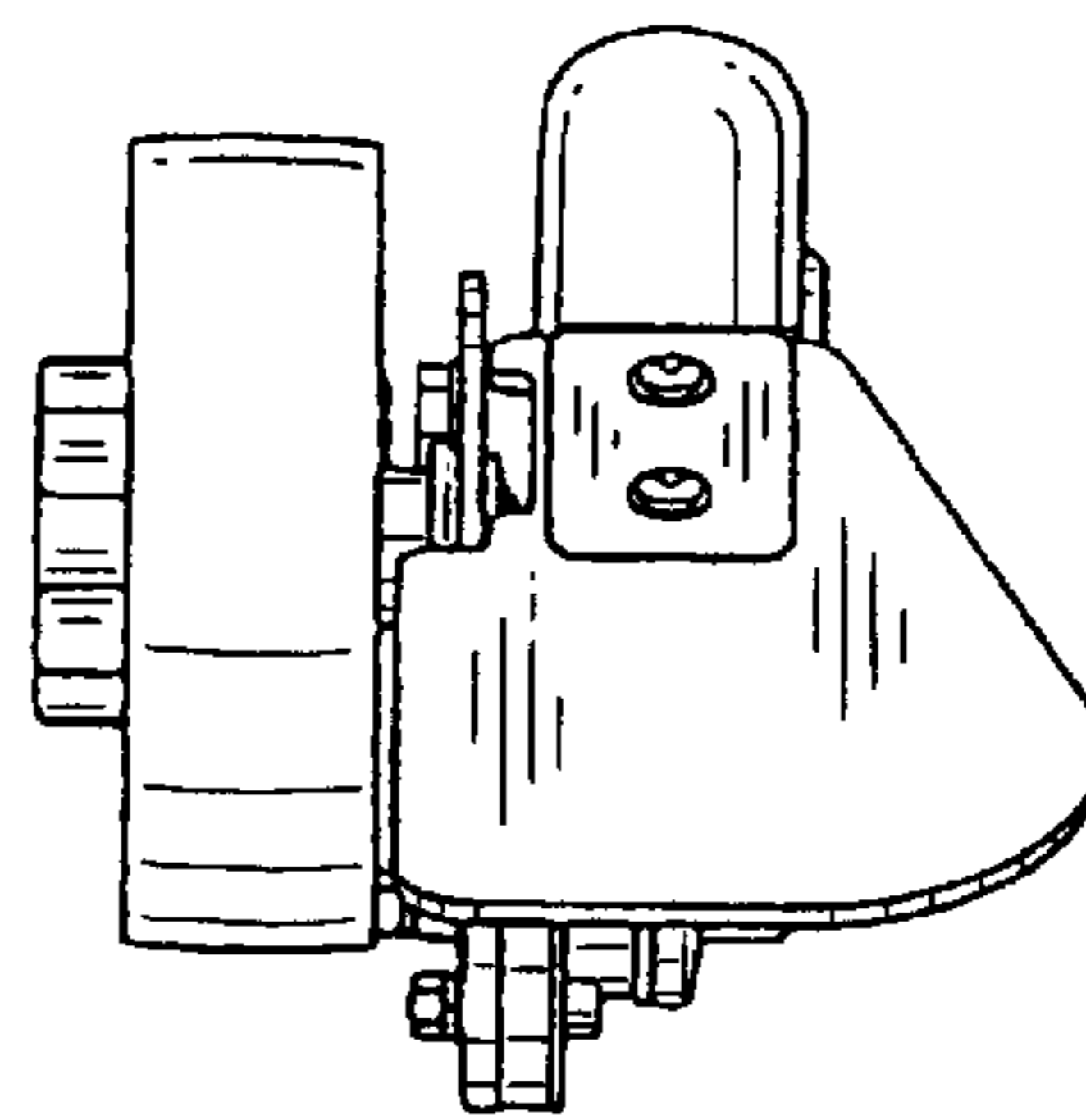


FIG. 4

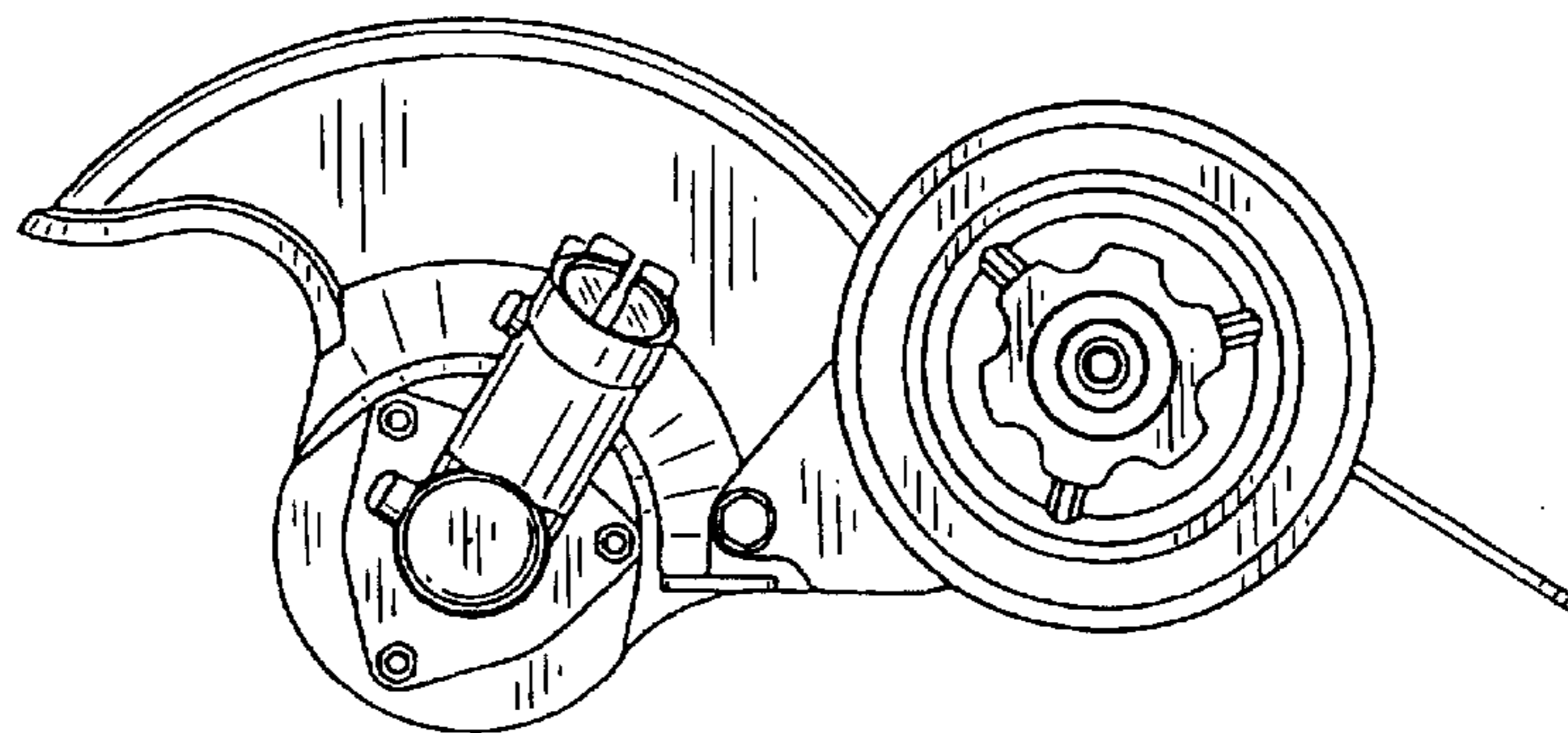


FIG. 5

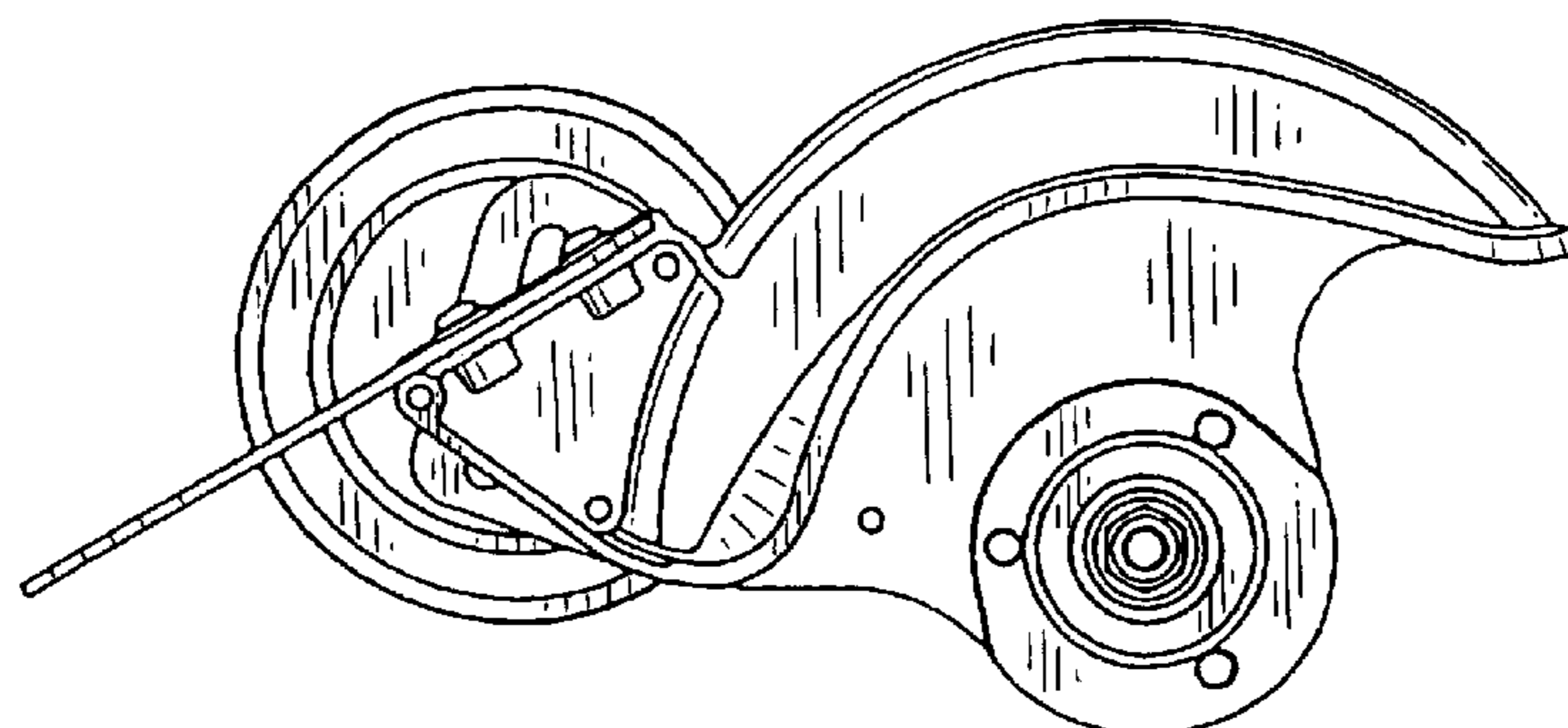


FIG. 6

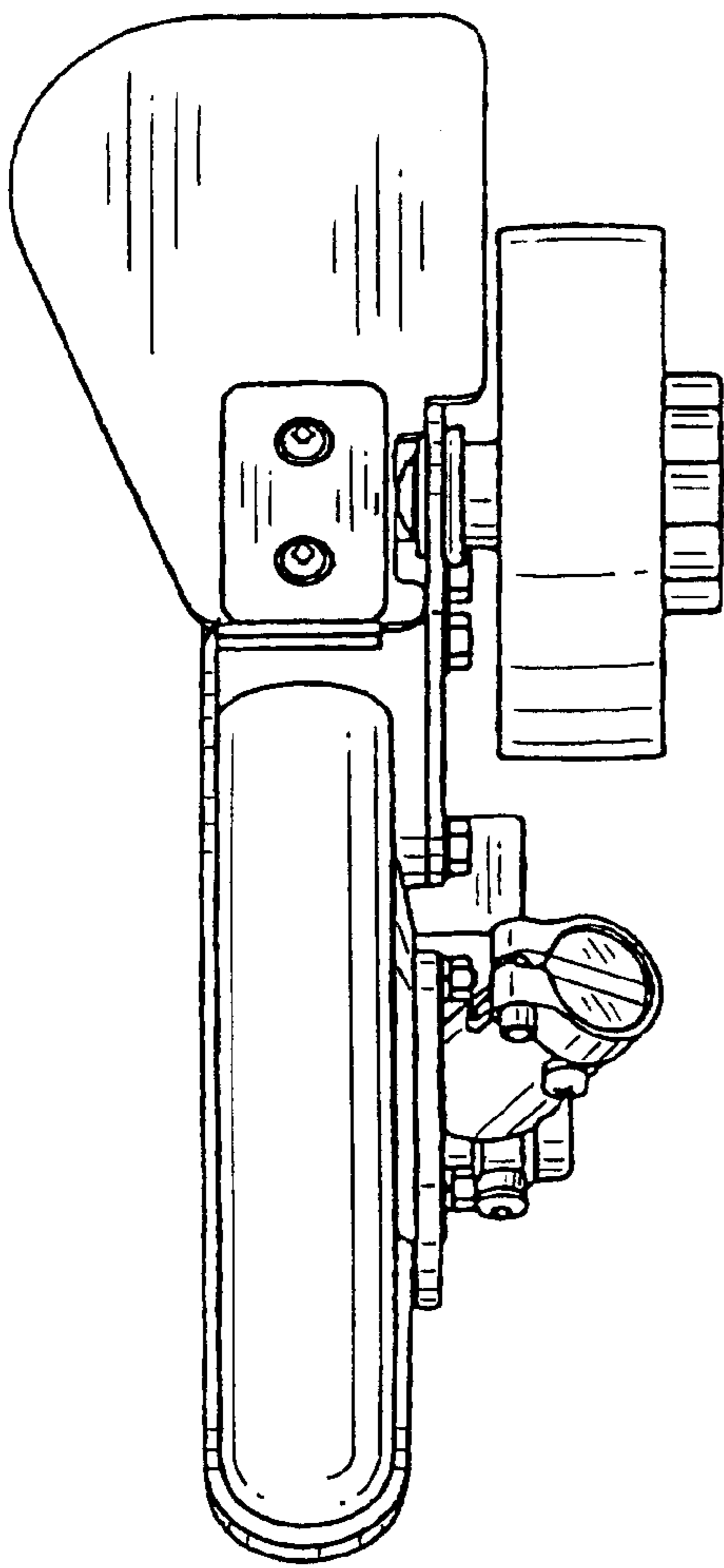


FIG. 7

