



US00D475253S

(12) **United States Design Patent**  
**Yip**

(10) **Patent No.:** **US D475,253 S**

(45) **Date of Patent:** **\*\* Jun. 3, 2003**

(54) **COMBINED JUICE EXTRACTOR AND JUICE CONTAINER**

D260,351 S \* 8/1981 Shun ..... D7/372  
D332,899 S \* 2/1993 Shun ..... D7/665  
D424,889 S \* 5/2000 Yip ..... D7/679

(76) Inventor: **Chung Lun Yip**, 3<sup>rd</sup> Floor, Blocks A & C King Yip Factory Building, No. 59 King, Yip Street, Kwun Tong, Kowloon (HK)

\* cited by examiner

*Primary Examiner*—Terry A. Wallace  
(74) *Attorney, Agent, or Firm*—Ladas & Parry

(\*\*) Term: **14 Years**

(57) **CLAIM**

(21) Appl. No.: **29/149,792**

I claim the ornamental design for combined juice extractor and juice container, as shown and described.

(22) Filed: **Oct. 16, 2001**

**DESCRIPTION**

(30) **Foreign Application Priority Data**

Apr. 16, 2001 (CN) ..... 01 3 04668

(51) **LOC (7) Cl.** ..... **07-04**

(52) **U.S. Cl.** ..... **D7/666**

(58) **Field of Search** ..... D7/372, 665, 666, D7/678; 99/499, 501-508; 241/100

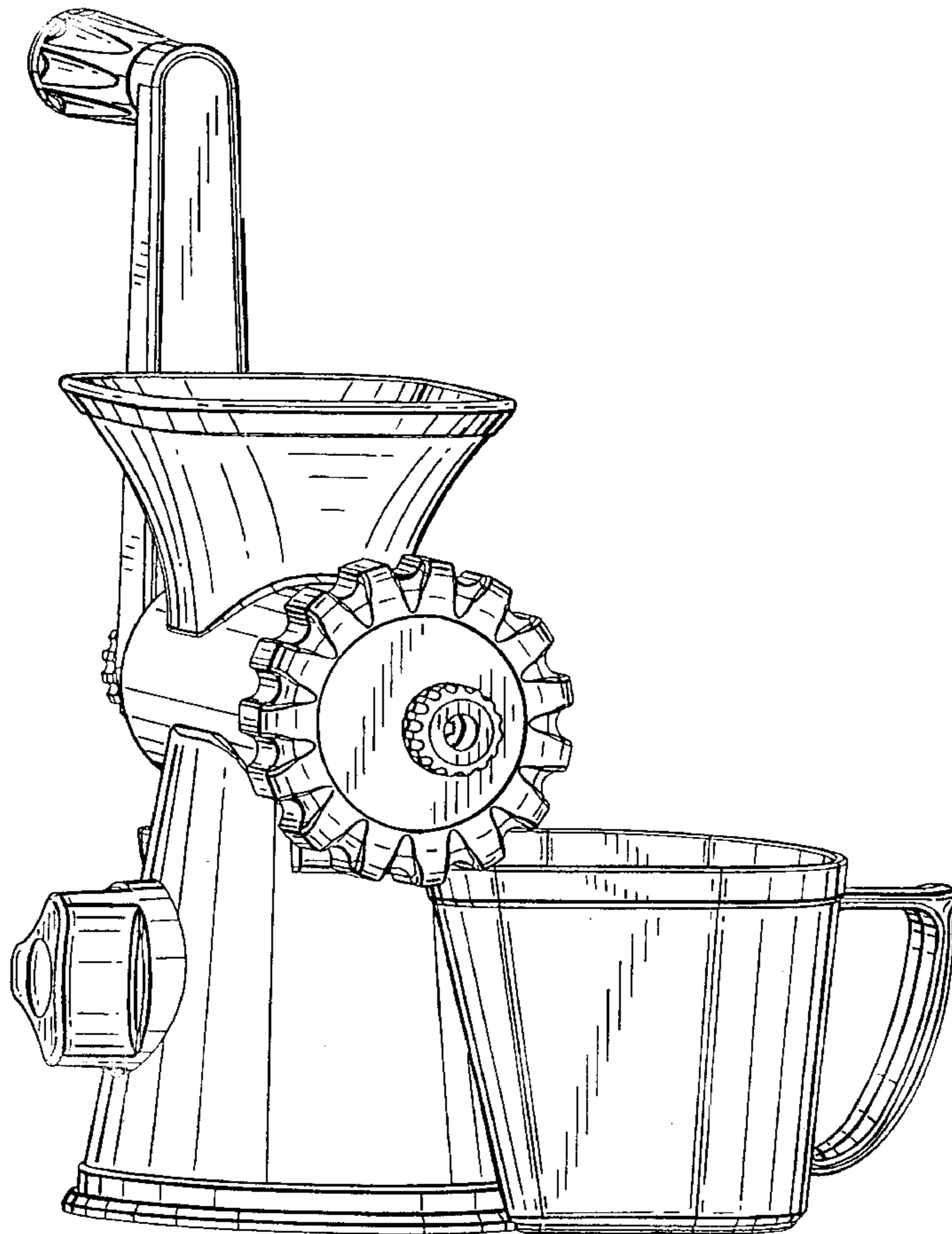
FIG. 1 is a front/top/left-side perspective view of a combined juice extractor and juice container showing my new design with a rear rotatable crank handle in a vertical position;  
FIG. 2 is a front elevational view thereof;  
FIG. 3 is a rear elevational view thereof;  
FIG. 4 is a right-side elevational view thereof;  
FIG. 5 is a left-side elevational view thereof;  
FIG. 6 is a top plan view thereof; and,  
FIG. 7 is a bottom plan view thereof.

(56) **References Cited**

**U.S. PATENT DOCUMENTS**

D206,927 S \* 2/1967 Popell ..... D7/372  
D208,385 S \* 8/1967 Iwata et al. .... D7/372

**1 Claim, 7 Drawing Sheets**



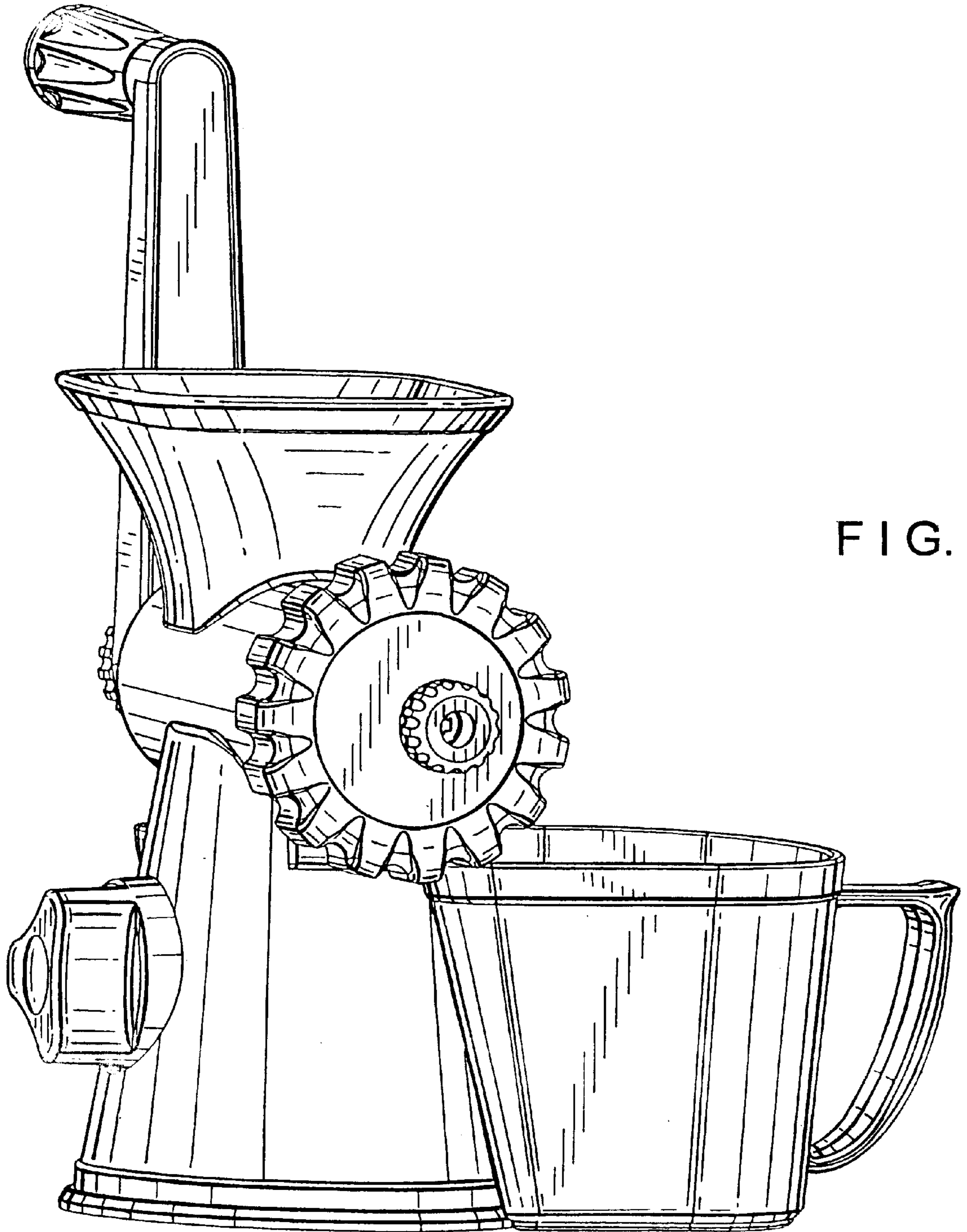


FIG. 1

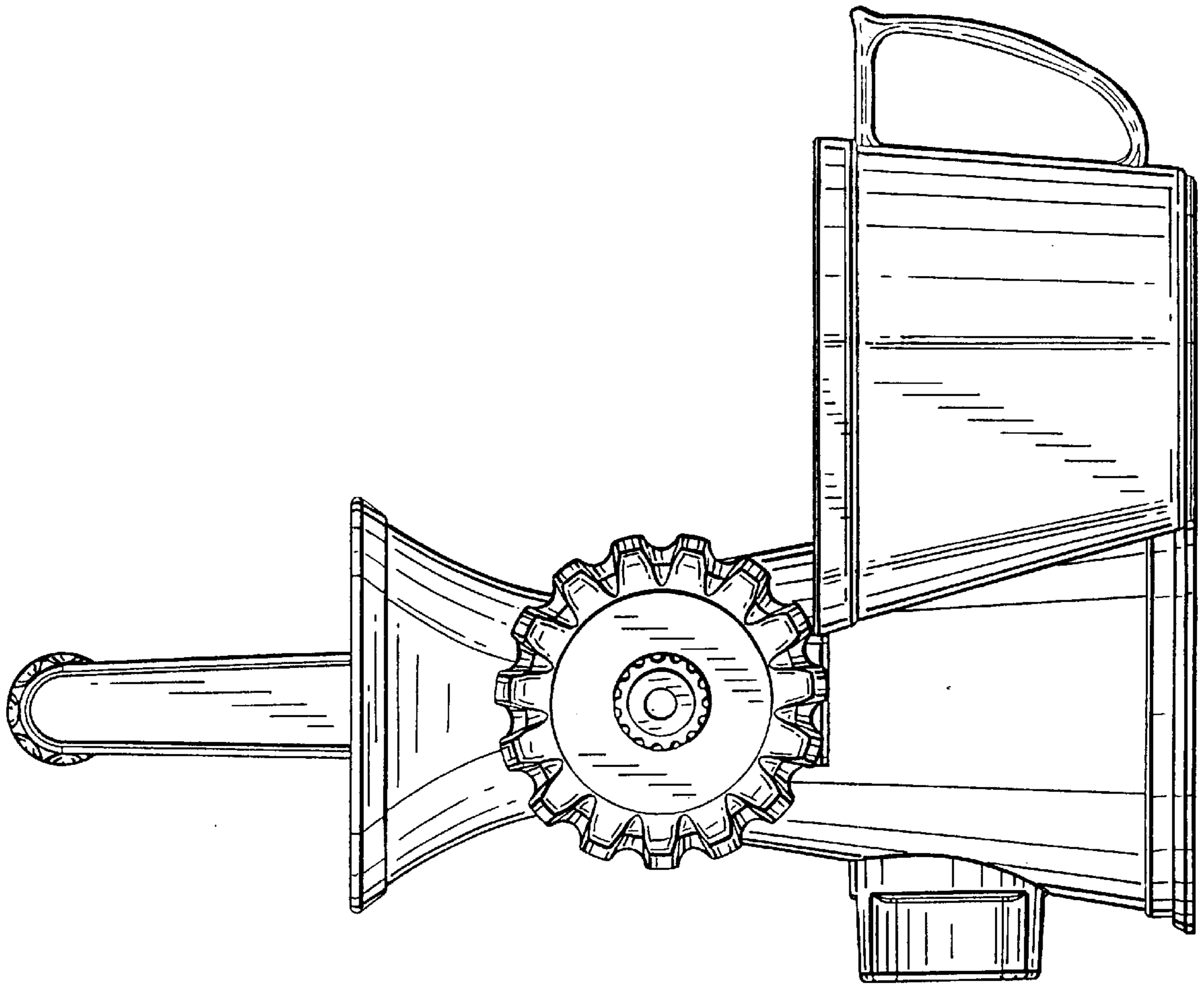


FIG. 2

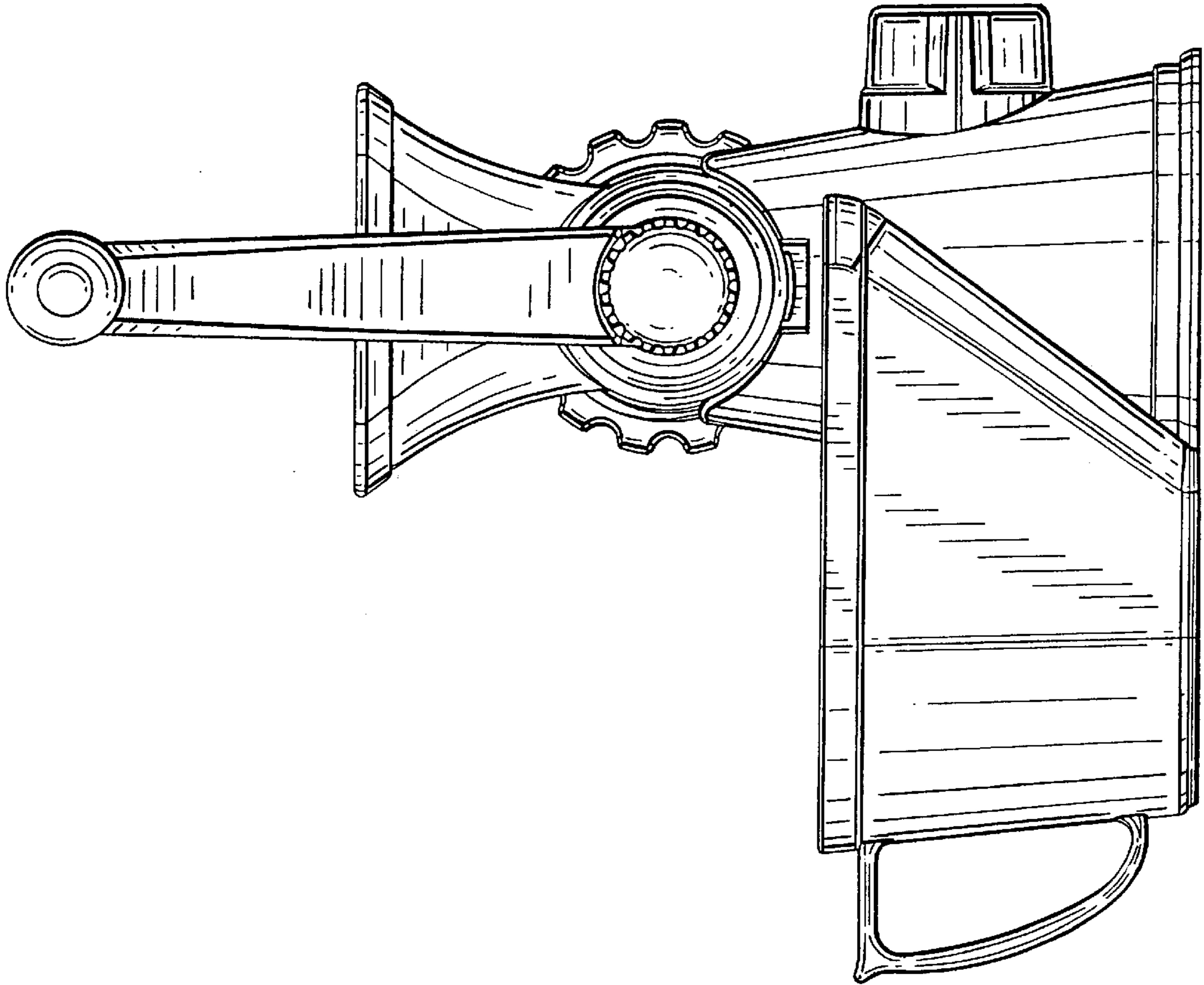


FIG. 3

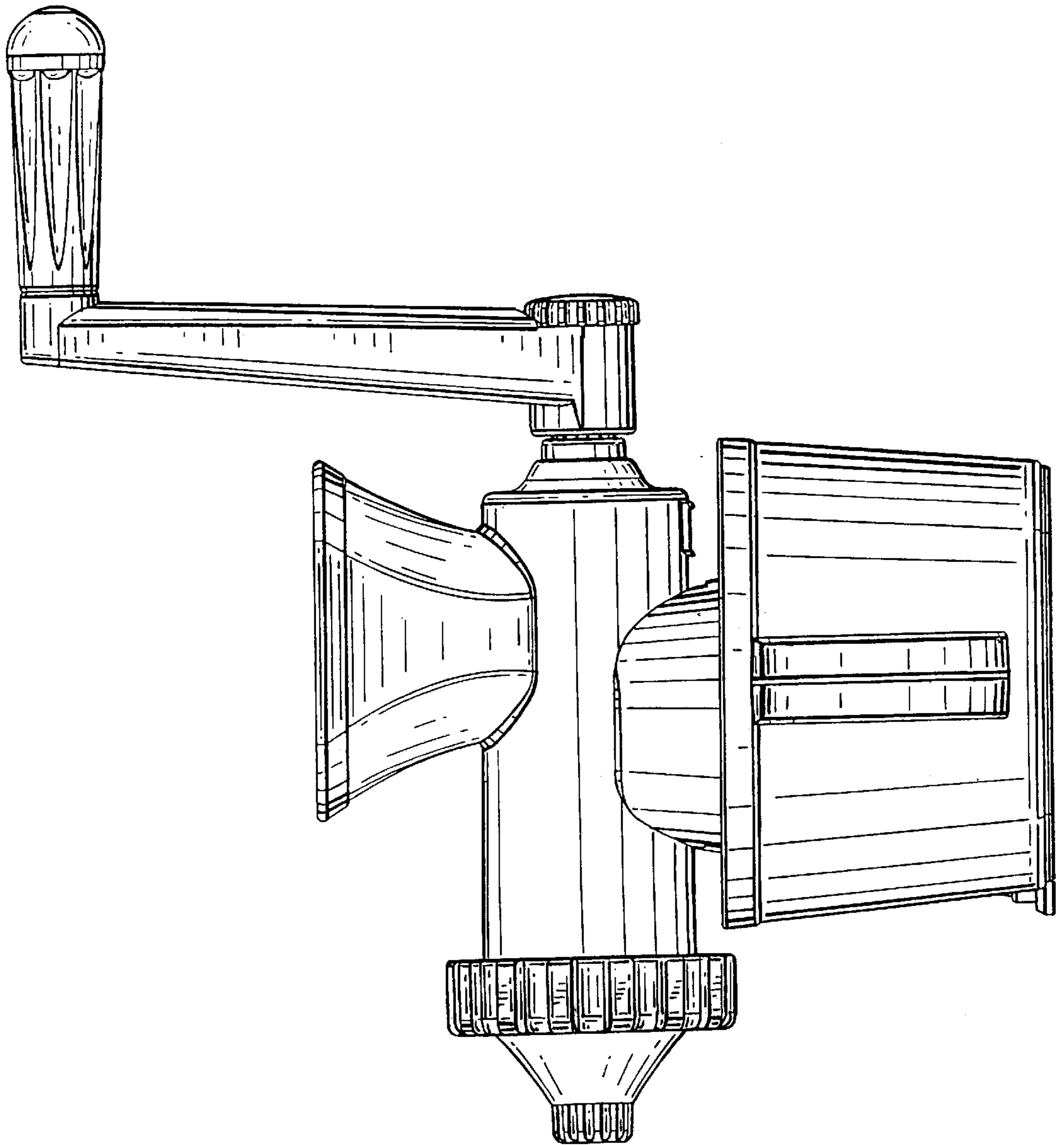


FIG. 4



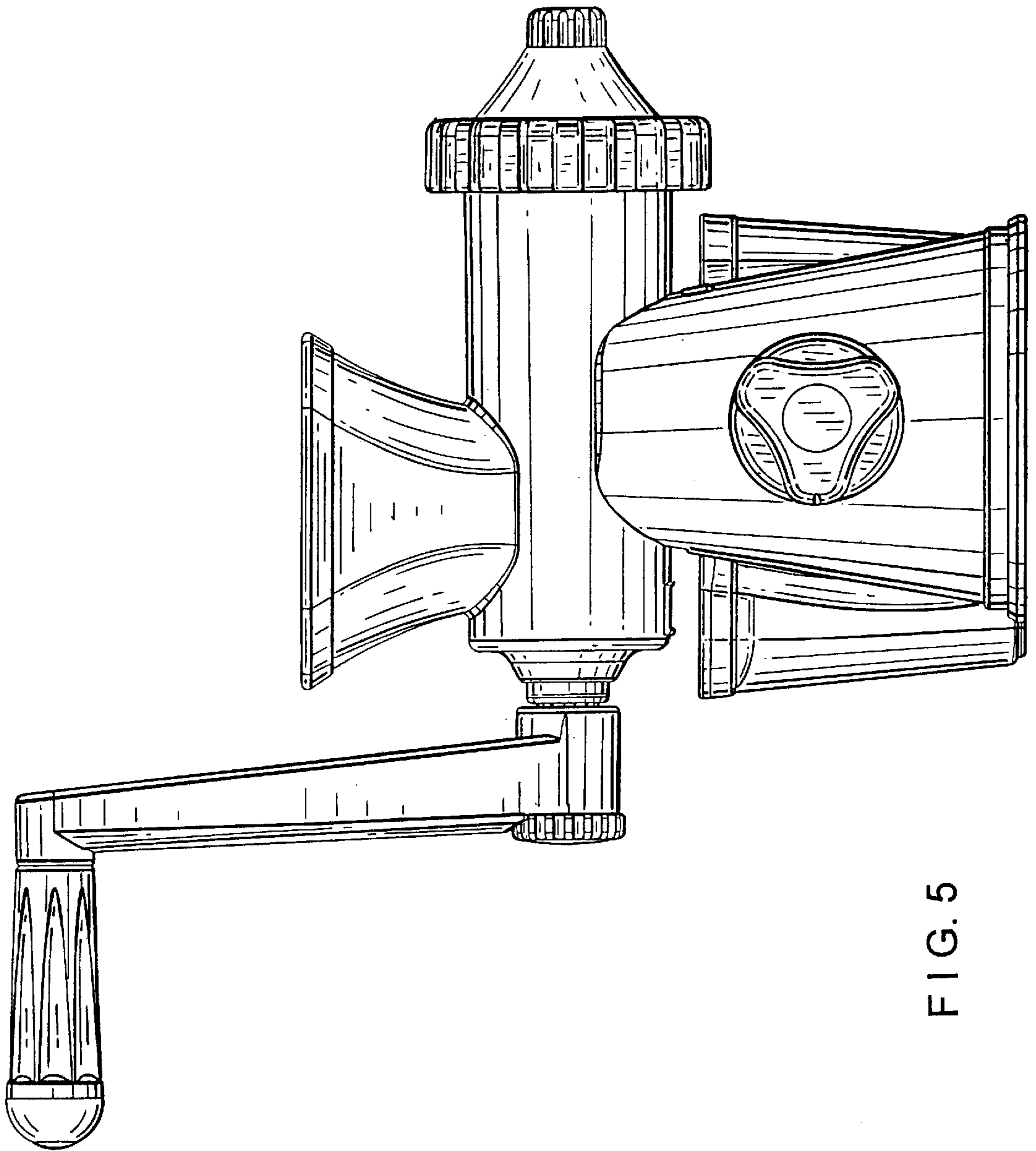


FIG. 5

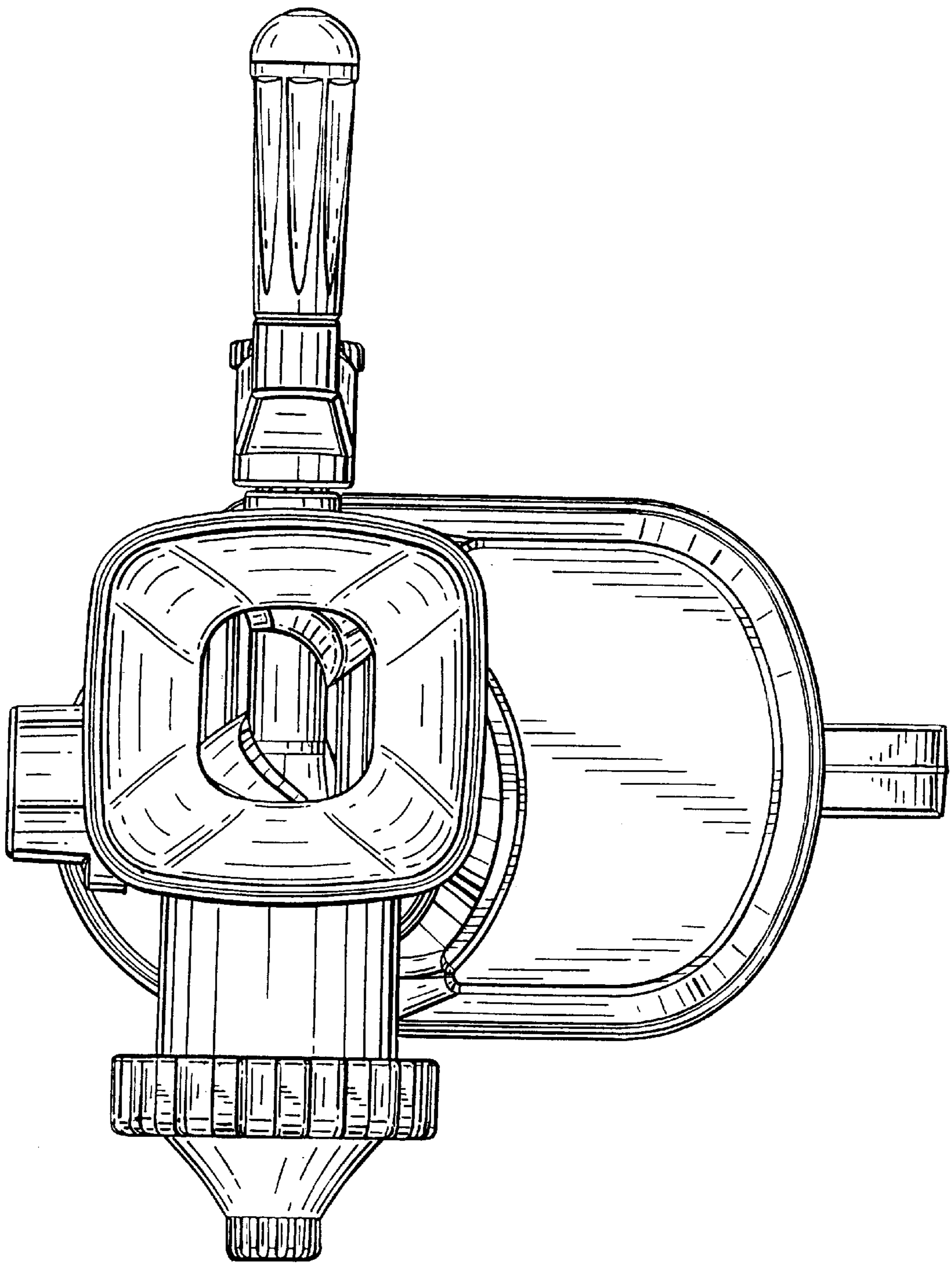


FIG. 6

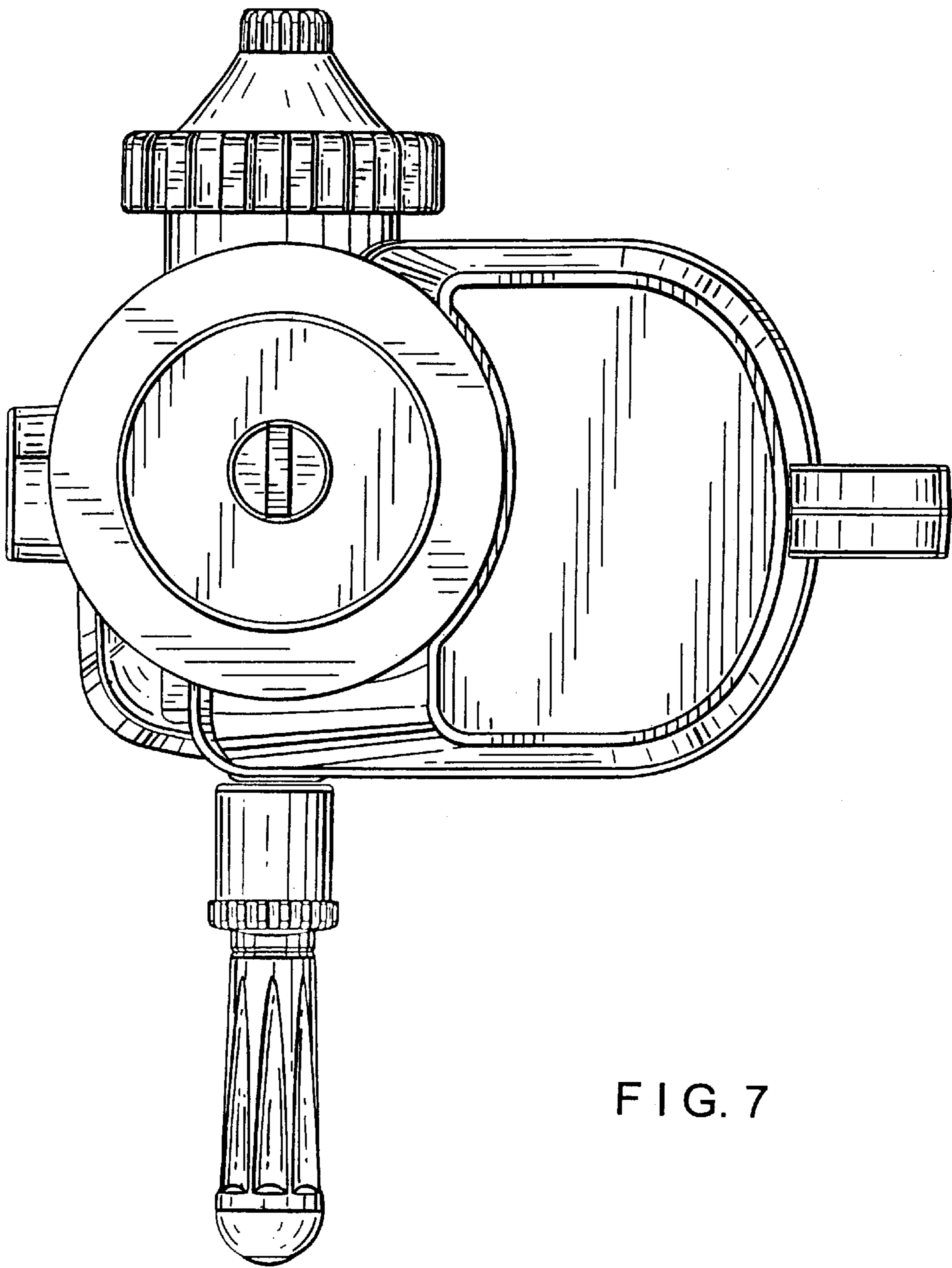


FIG. 7