



US00D475250S

(12) **United States Design Patent**
Crandall et al.

(10) **Patent No.:** **US D475,250 S**

(45) **Date of Patent:** **** Jun. 3, 2003**

(54) **COOLER**

(75) Inventors: **Kevin Crandall**, Chicago, IL (US);
Rick Stephens, Chicago, IL (US); **Sean Daw**, Chicago, IL (US)

(73) Assignee: **OCP Acquisition Corp.**, Chicago, IL (US)

(**) Term: **14 Years**

(21) Appl. No.: **29/159,526**

(22) Filed: **Apr. 23, 2002**

(51) **LOC (7) Cl.** **07-01**

(52) **U.S. Cl.** **D7/607**

(58) **Field of Search** D7/605-608; D3/273,
D3/276, 283-287, 289; 62/457.1-457.7,
371, 372; 190/110; 220/592.2, 592.24, 592.25,
915.1, 915.2; 383/6, 20, 34, 43, 97, 110,
113

(56) **References Cited**

U.S. PATENT DOCUMENTS

1,374,126	A	*	4/1921	Walter	D7/606	X
2,960,136	A		11/1960	Ziff	150/29	
3,578,115	A	*	5/1971	Schneider	190/115	
D281,645	S		12/1985	Bomes et al.	D3/48	
D281,647	S		12/1985	Bomes et al.	D3/71	
D282,505	S		2/1986	Bomes et al.	D3/48	
D286,229	S	*	10/1986	Knoepke et al.	D3/286	
4,966,260	A		10/1990	Young	190/111	
D346,693	S		5/1994	Saltzman et al.	D3/283	
D350,874	S	*	9/1994	Gowin	D7/606	
5,361,603	A		11/1994	Merritt-Munson	62/457.2	
D396,144	S		7/1998	Farmer	D3/287	
5,865,314	A		2/1999	Jacober	206/570	
5,927,856	A		7/1999	Hung	383/34	

5,964,384	A		10/1999	Young	224/153	
6,047,752	A		4/2000	Southwick	150/117	
D436,443	S		1/2001	Hillman	D3/283	
6,213,268	B1		4/2001	Dancyger	190/110	
D441,613	S	*	5/2001	Nottingham et al.	D7/607	
D447,632	S		9/2001	Gisser	D3/289	

* cited by examiner

Primary Examiner—Terry A. Wallace

(74) *Attorney, Agent, or Firm*—McDonnell Boehnen Hulbert & Berghoff

(57) **CLAIM**

The ornamental design for a cooler, as shown and described.

DESCRIPTION

FIG. 1 is a perspective view of a cooler of the present design; FIG. 2 is a front elevational view thereof; FIG. 3 is a right side elevational view thereof; FIG. 4 is a left side elevational view thereof; FIG. 5 is a top plan view thereof; and FIG. 6 is a bottom plan view thereof. FIG. 7 is a perspective view of the cooler of FIG. 1, with the mouth of the cooler open; FIG. 8 is a front elevational view thereof; FIG. 9 is a right side elevational view thereof; FIG. 10 is a left side elevational view thereof; FIG. 11 is a top plan view thereof; and, FIG. 12 is a bottom plan view thereof.

The rear elevational view of the cooler shown in FIG. 1 is a mirror image of the view of FIG. 2.

The rear elevational view of the cooler shown in FIG. 7 is a mirror image of the view of FIG. 8.

The broken line portions of the drawings are for illustrative purposes only and form no part of the claimed design.

The dashed lines are used to portray stitching.

1 Claim, 8 Drawing Sheets

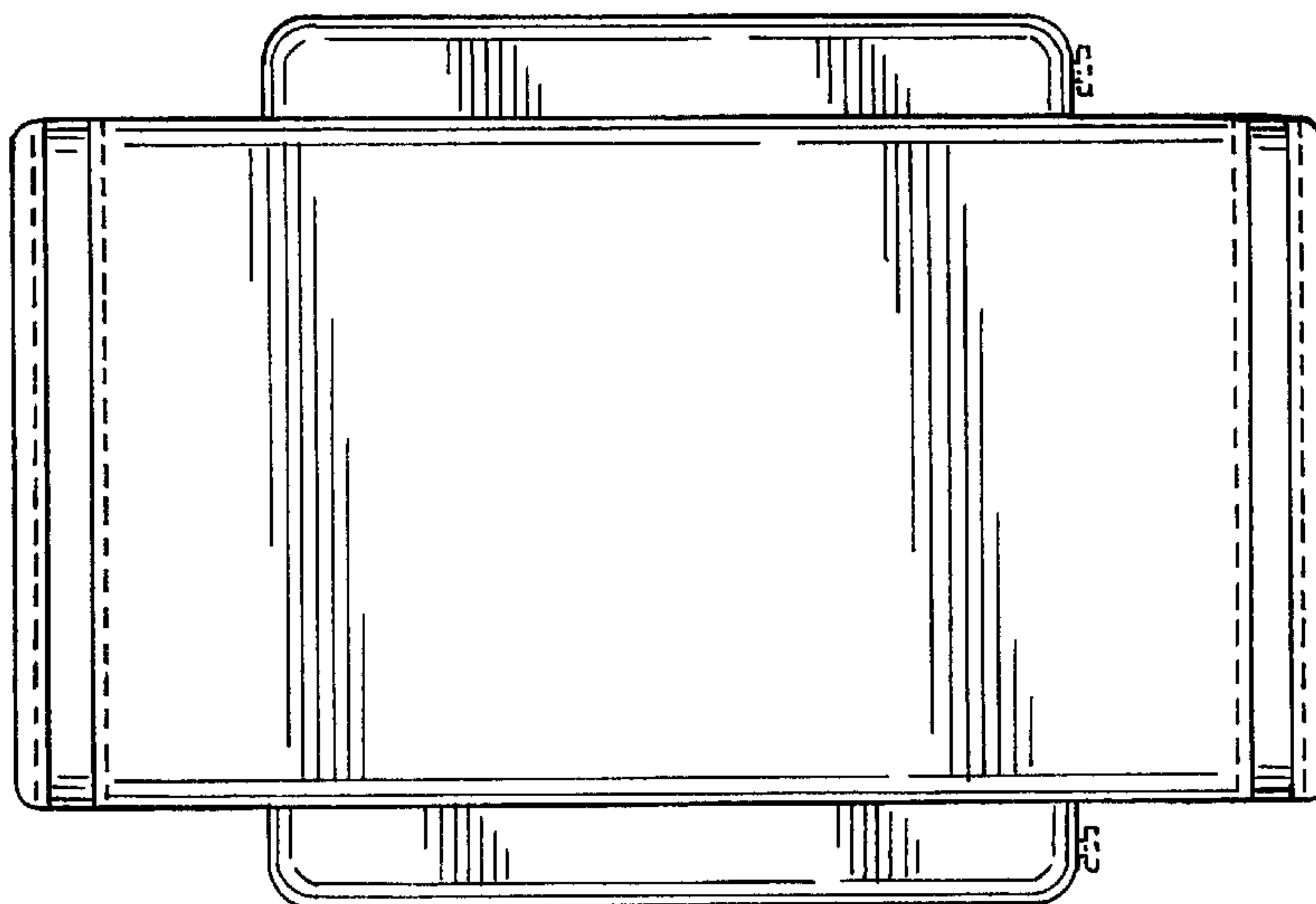


FIG. 1

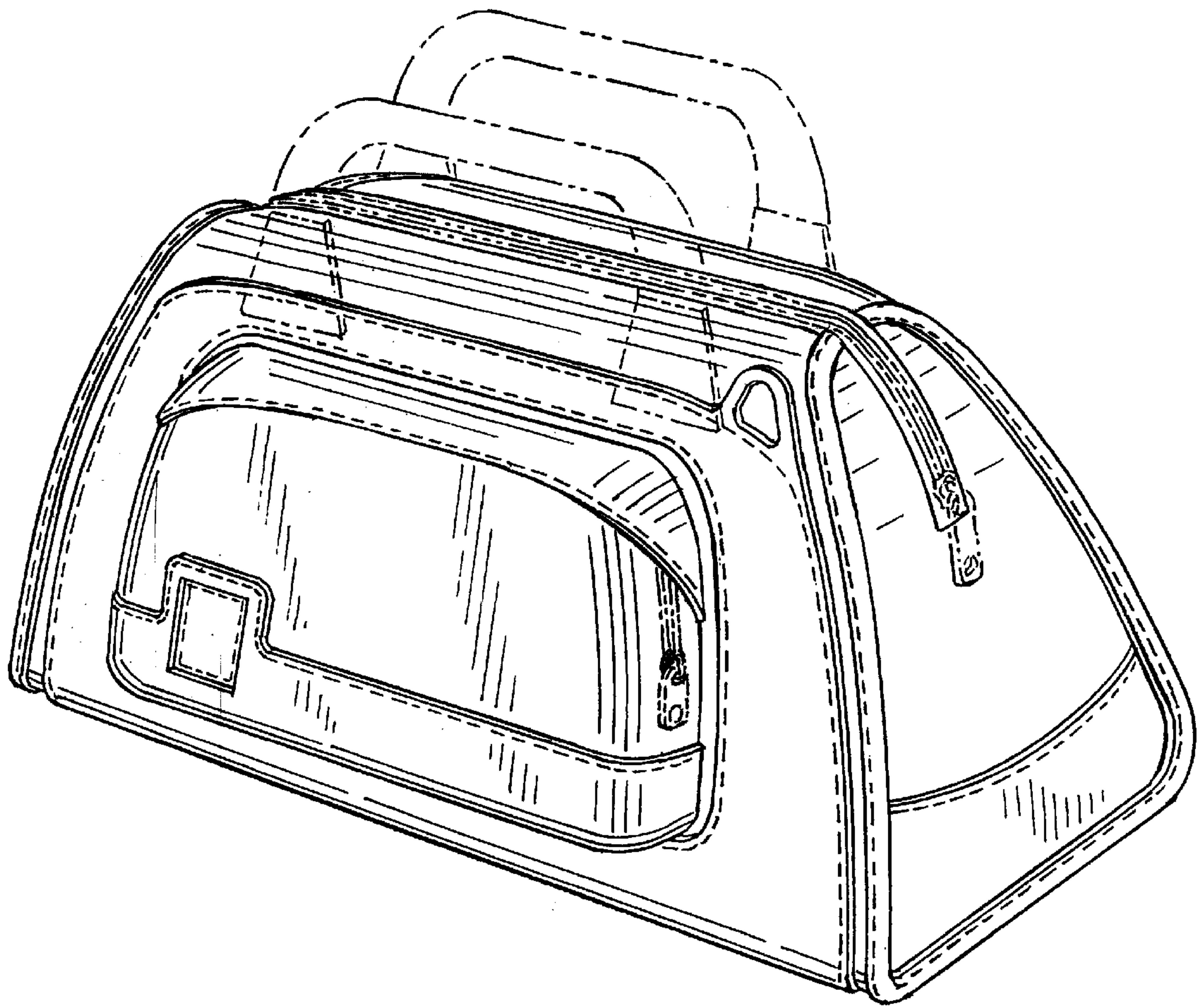


FIG. 2

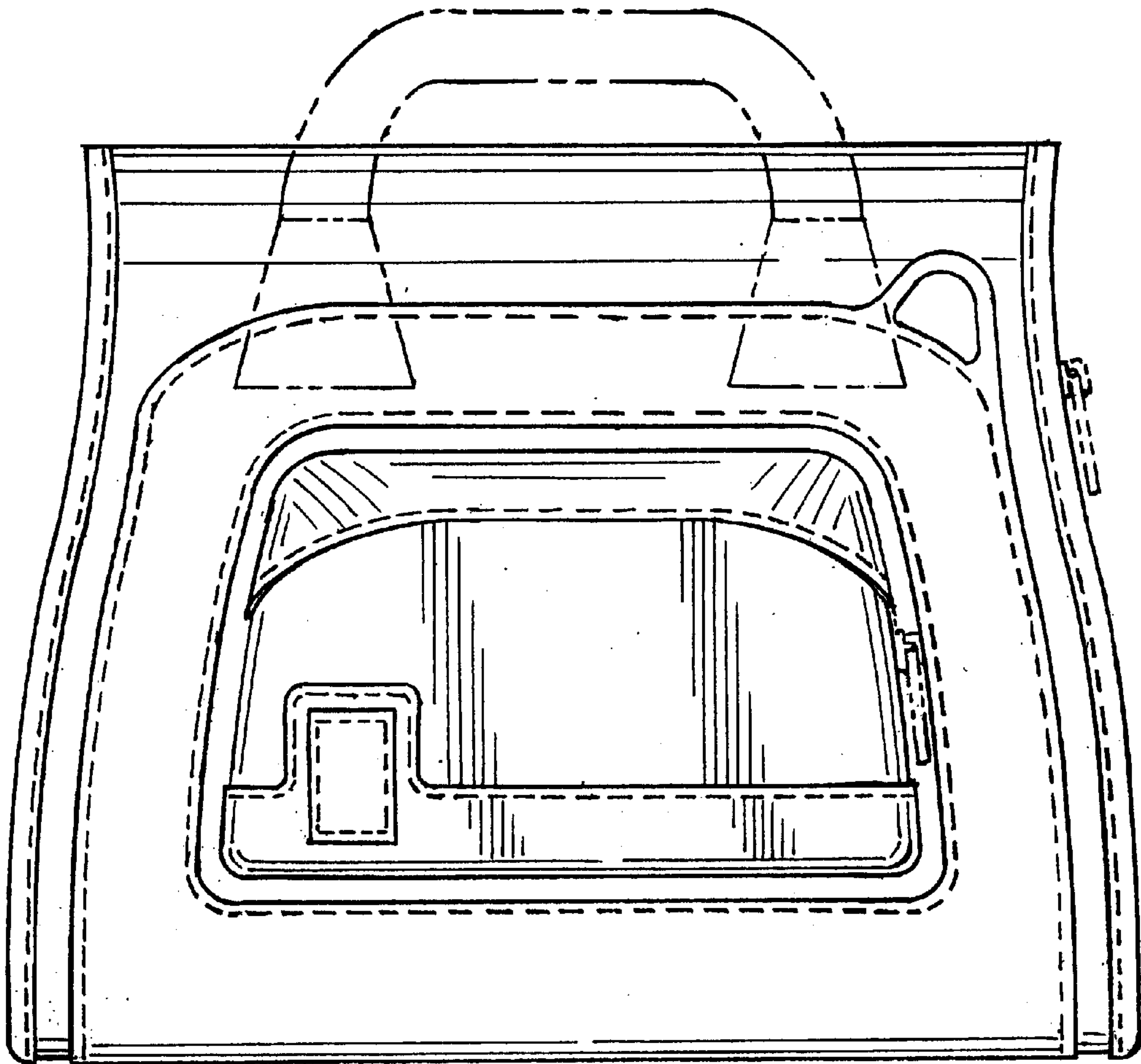


FIG. 4

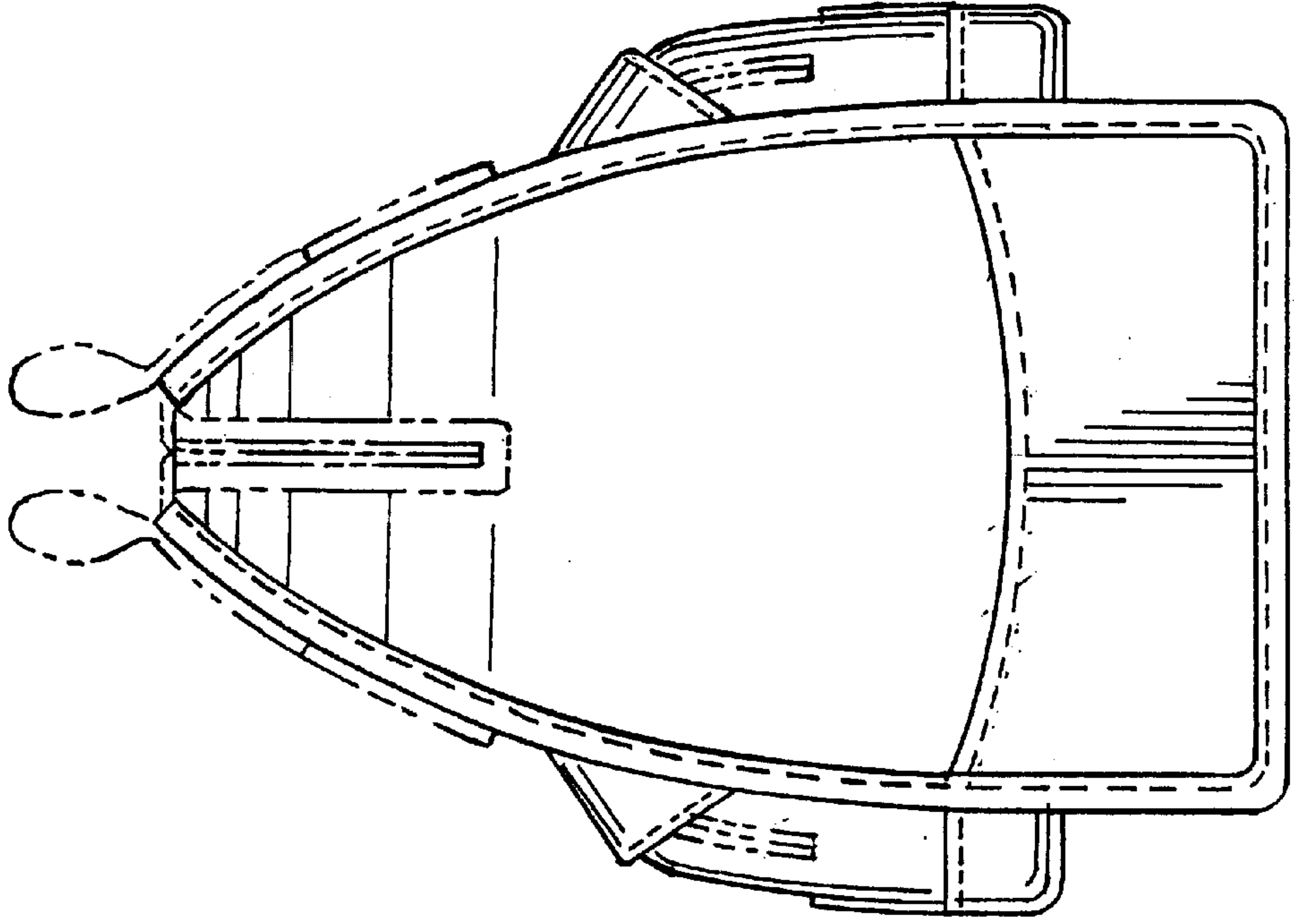


FIG. 3

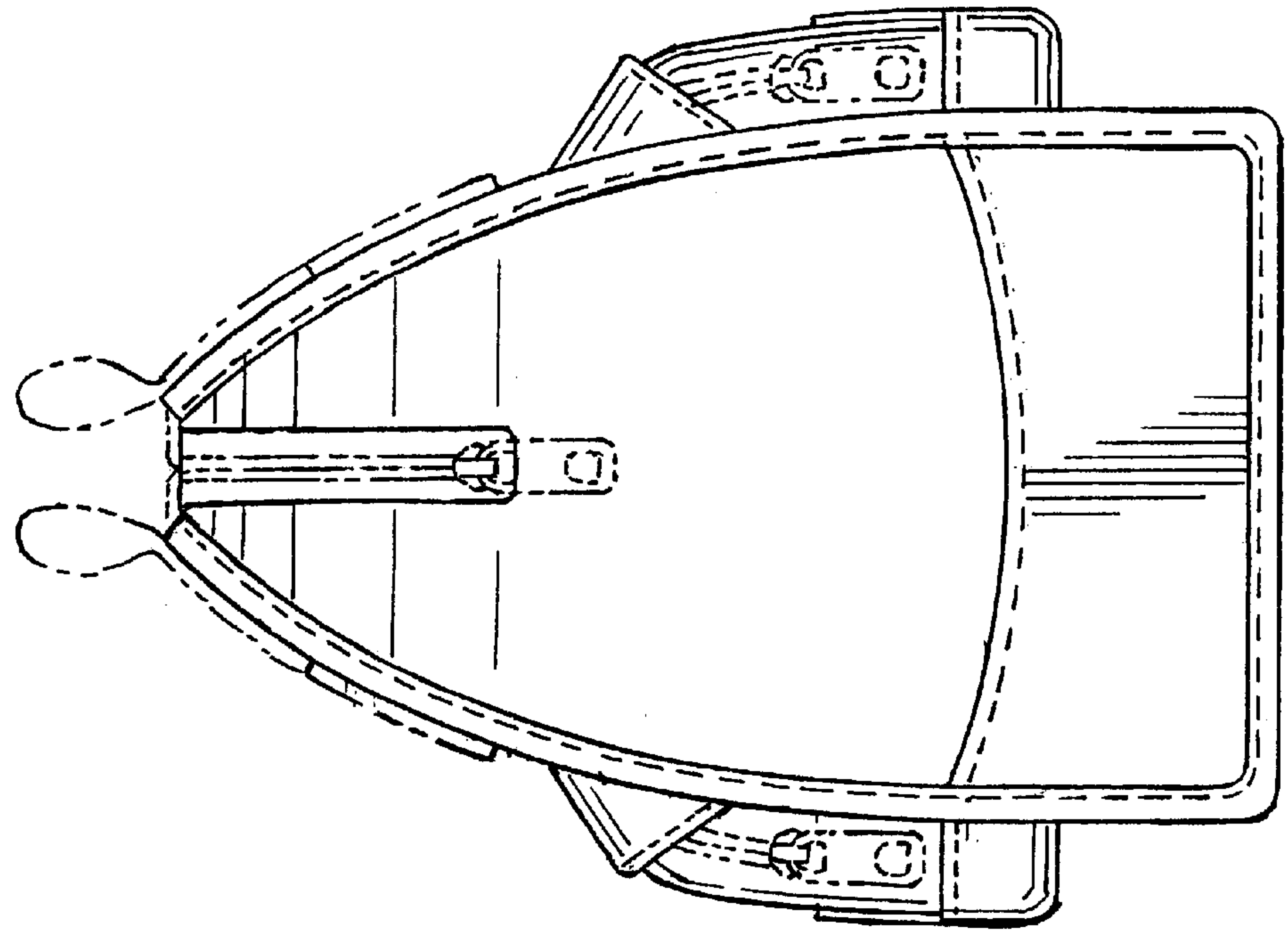


FIG. 5

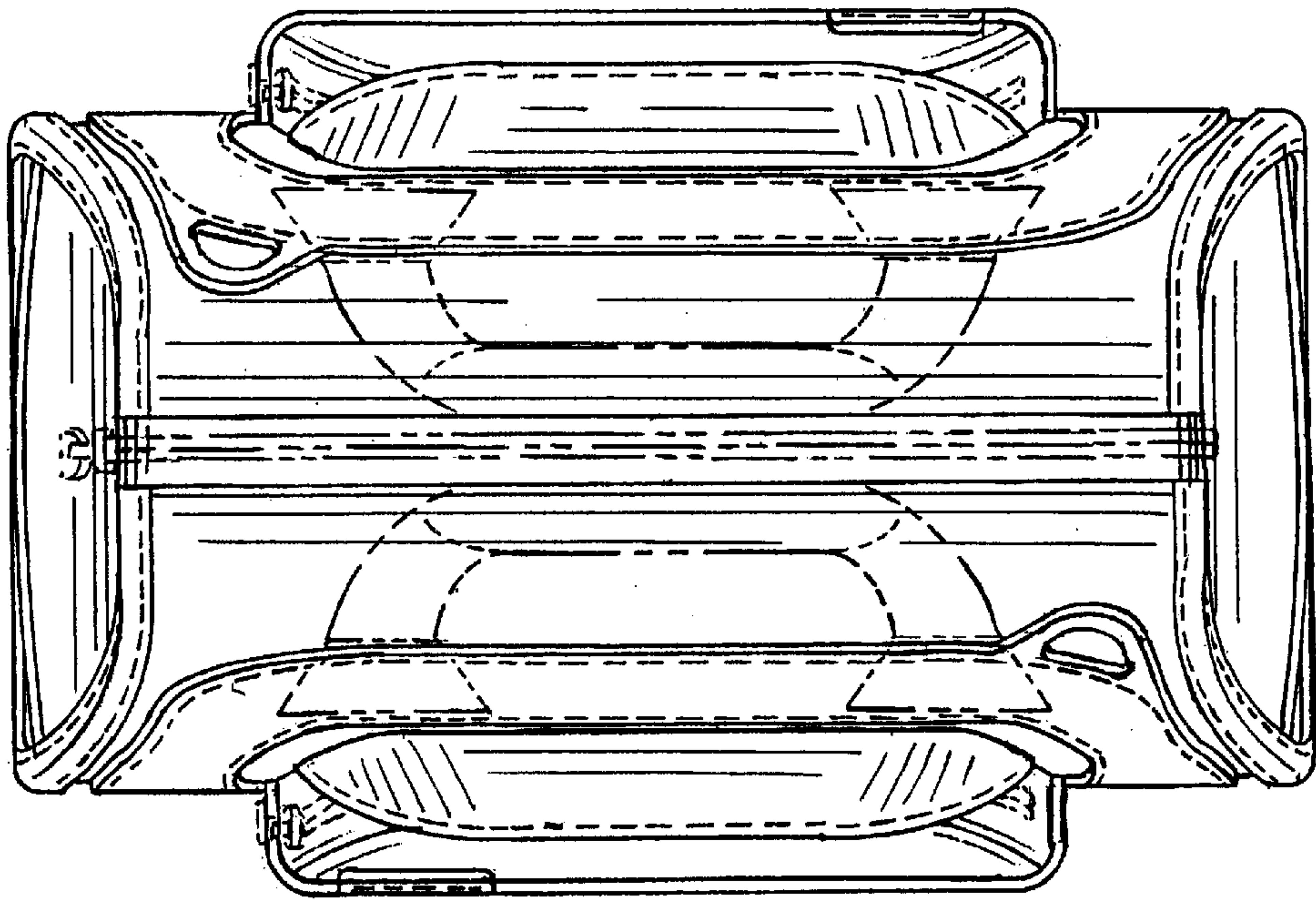


FIG. 6

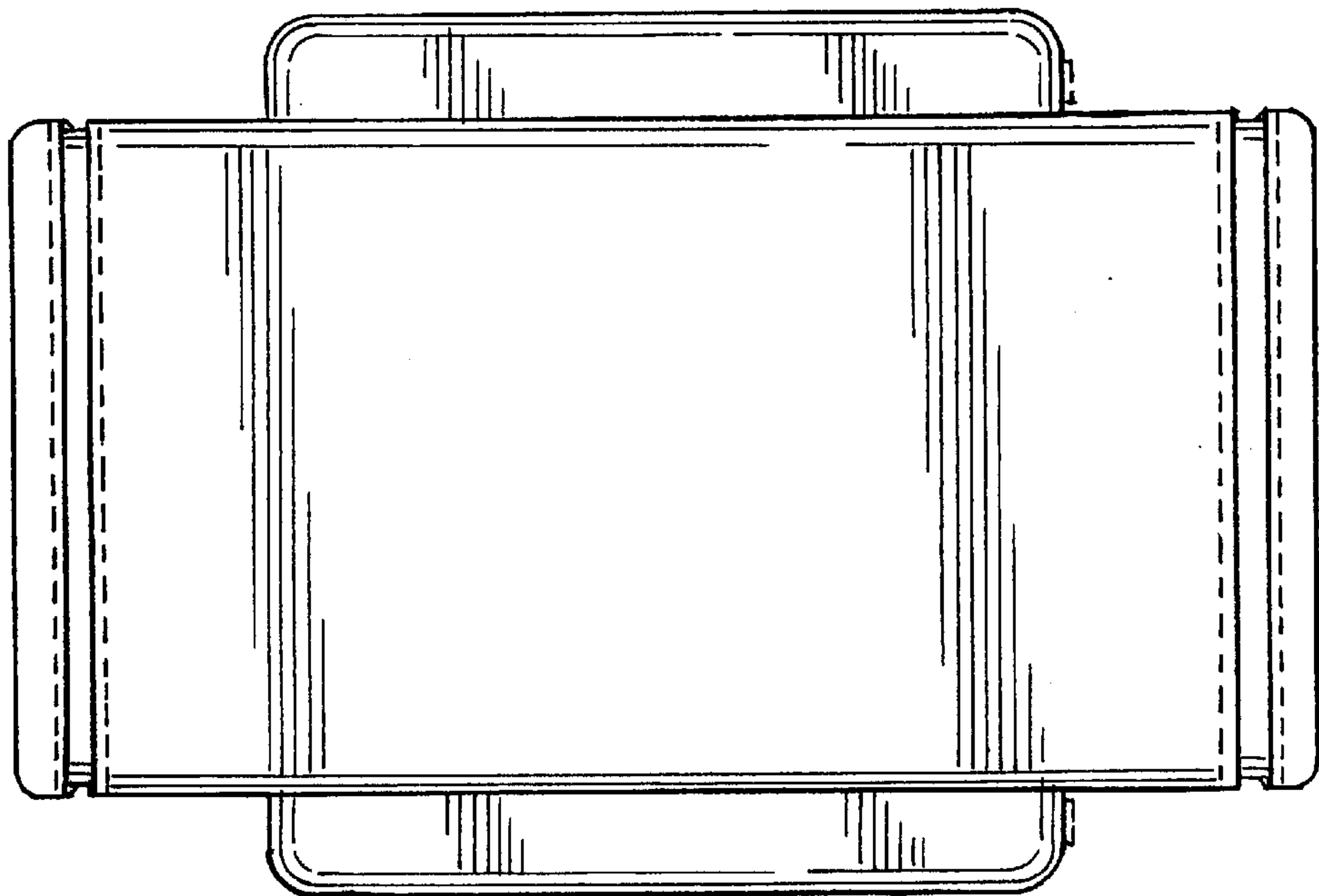


FIG. 7

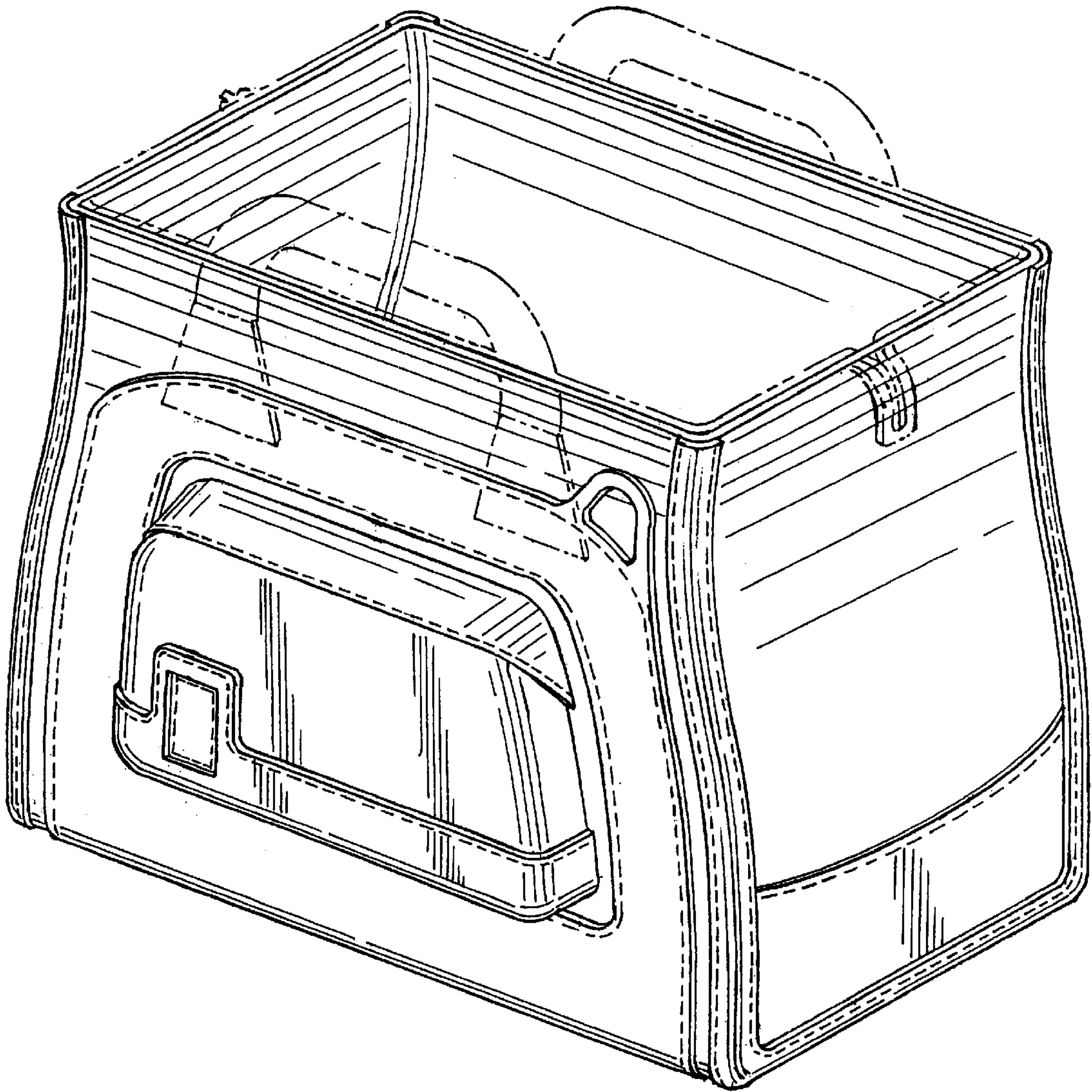


FIG. 8

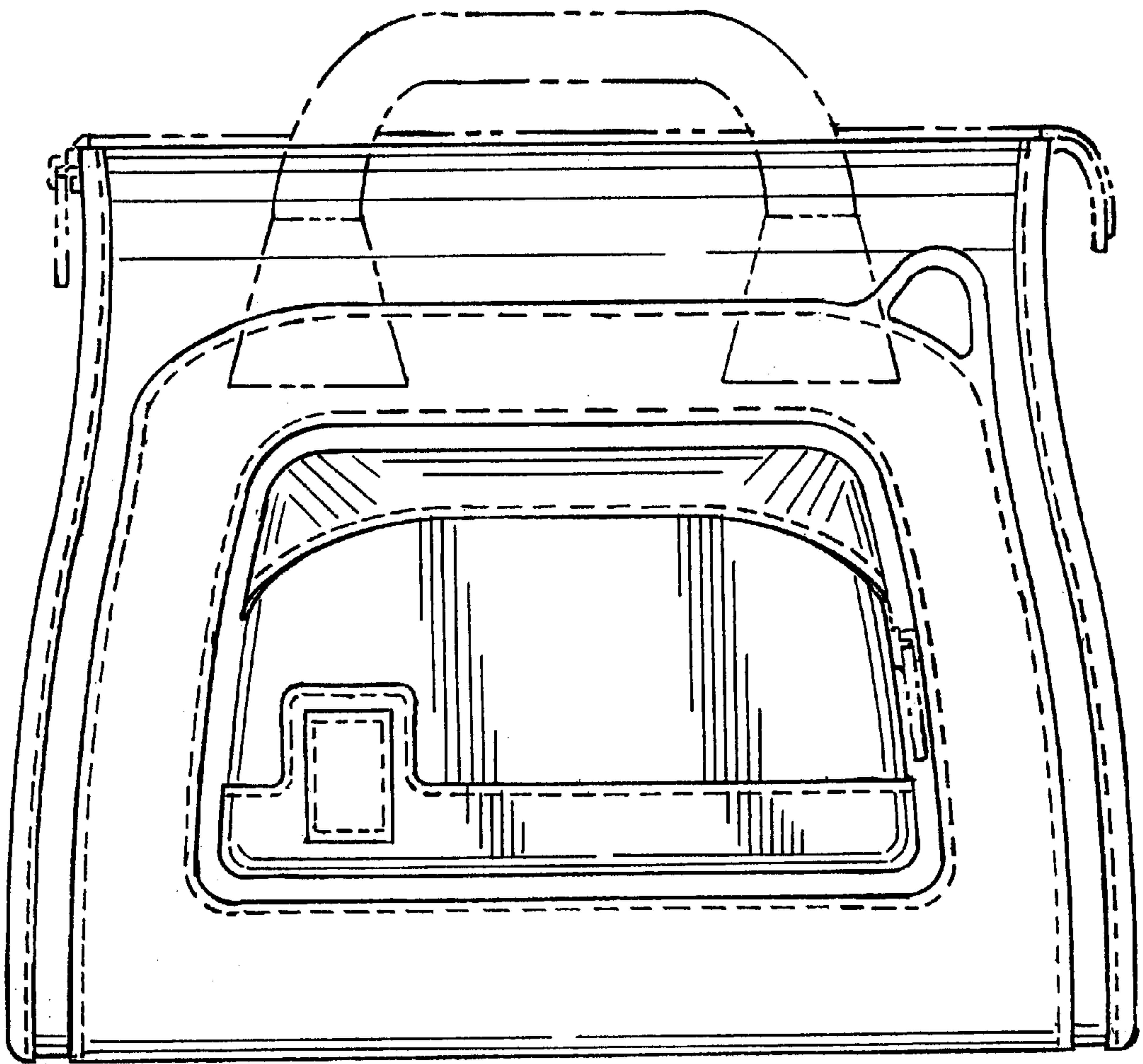


FIG. 10

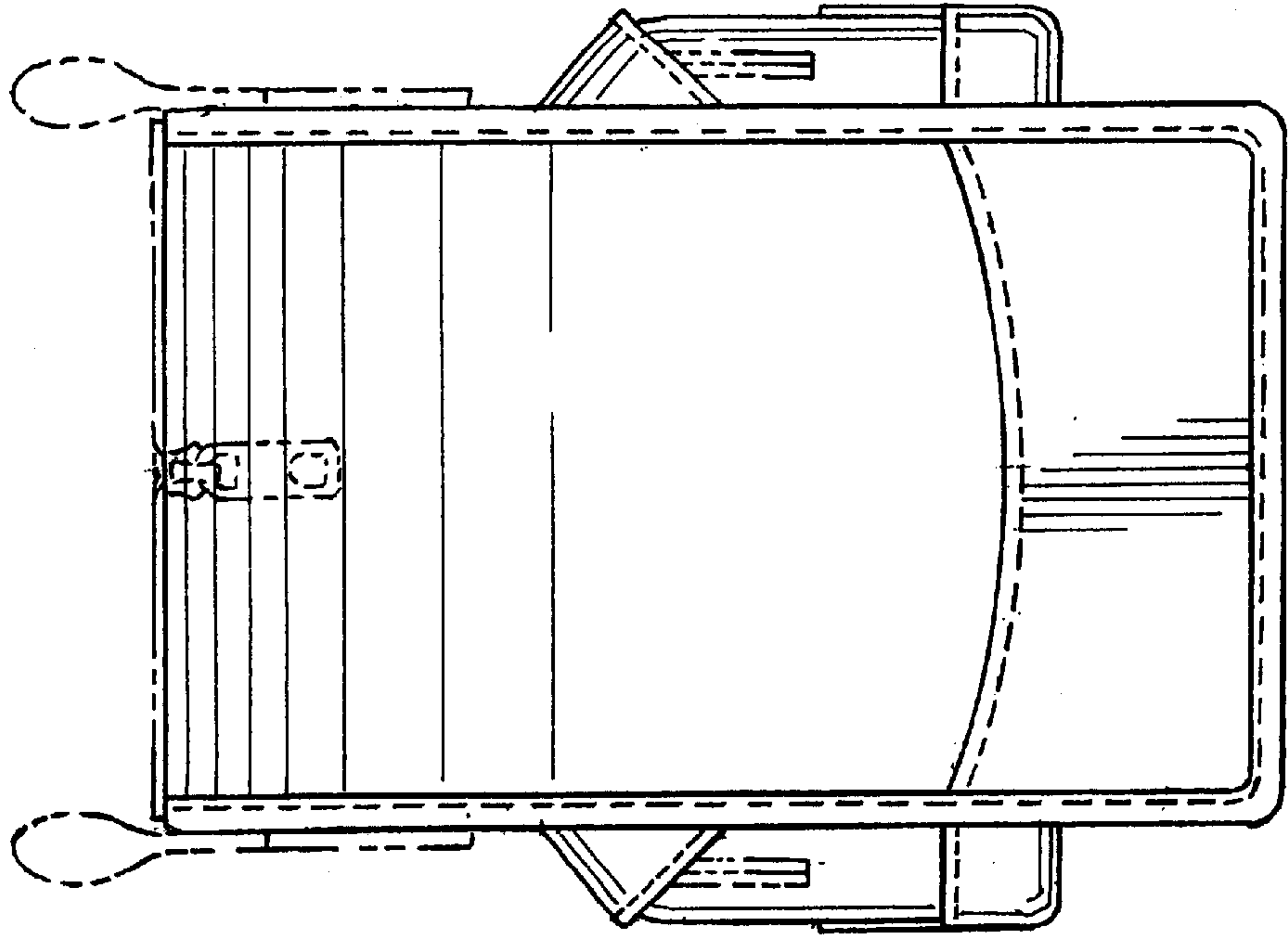


FIG. 9

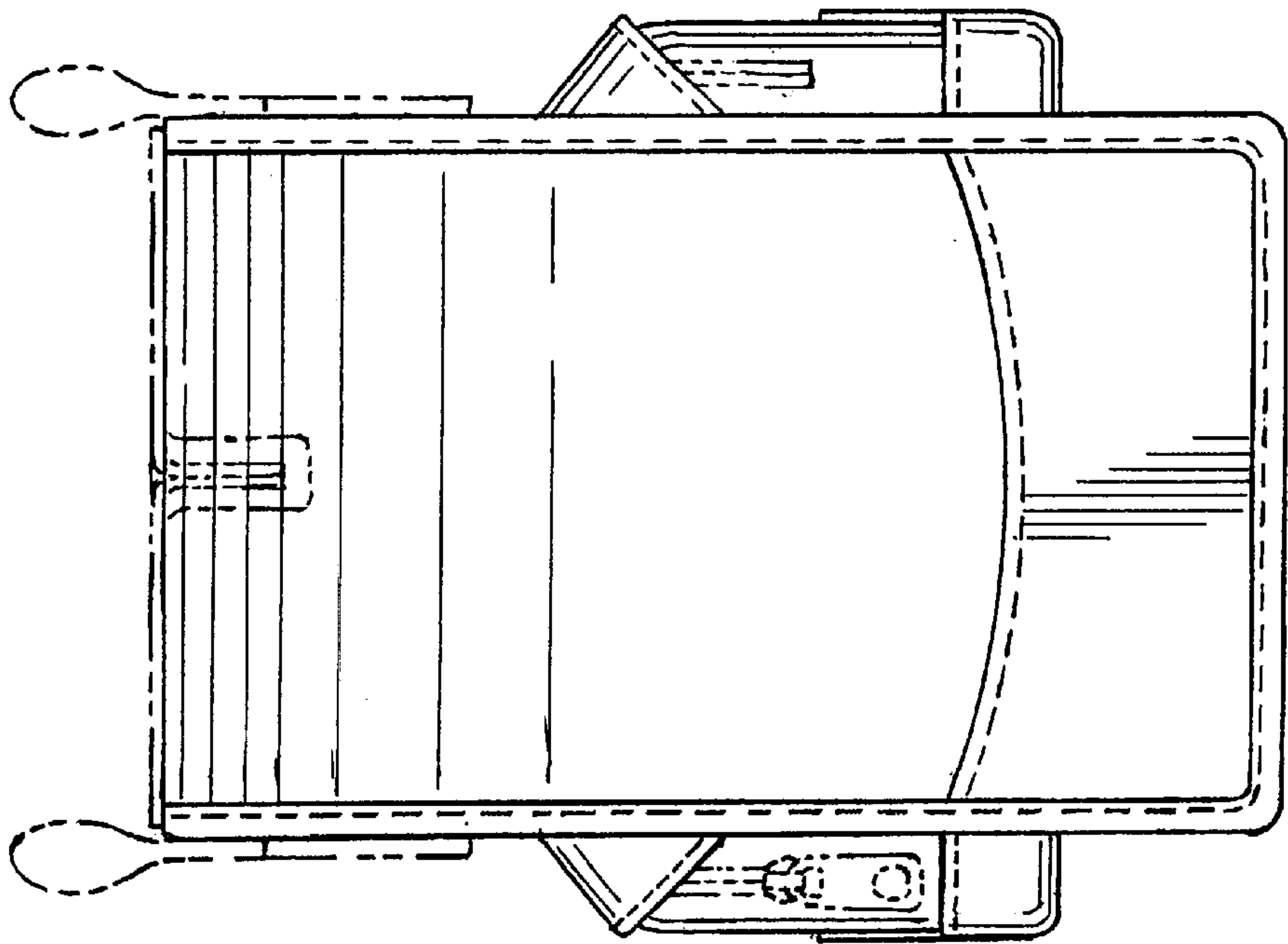


FIG.11

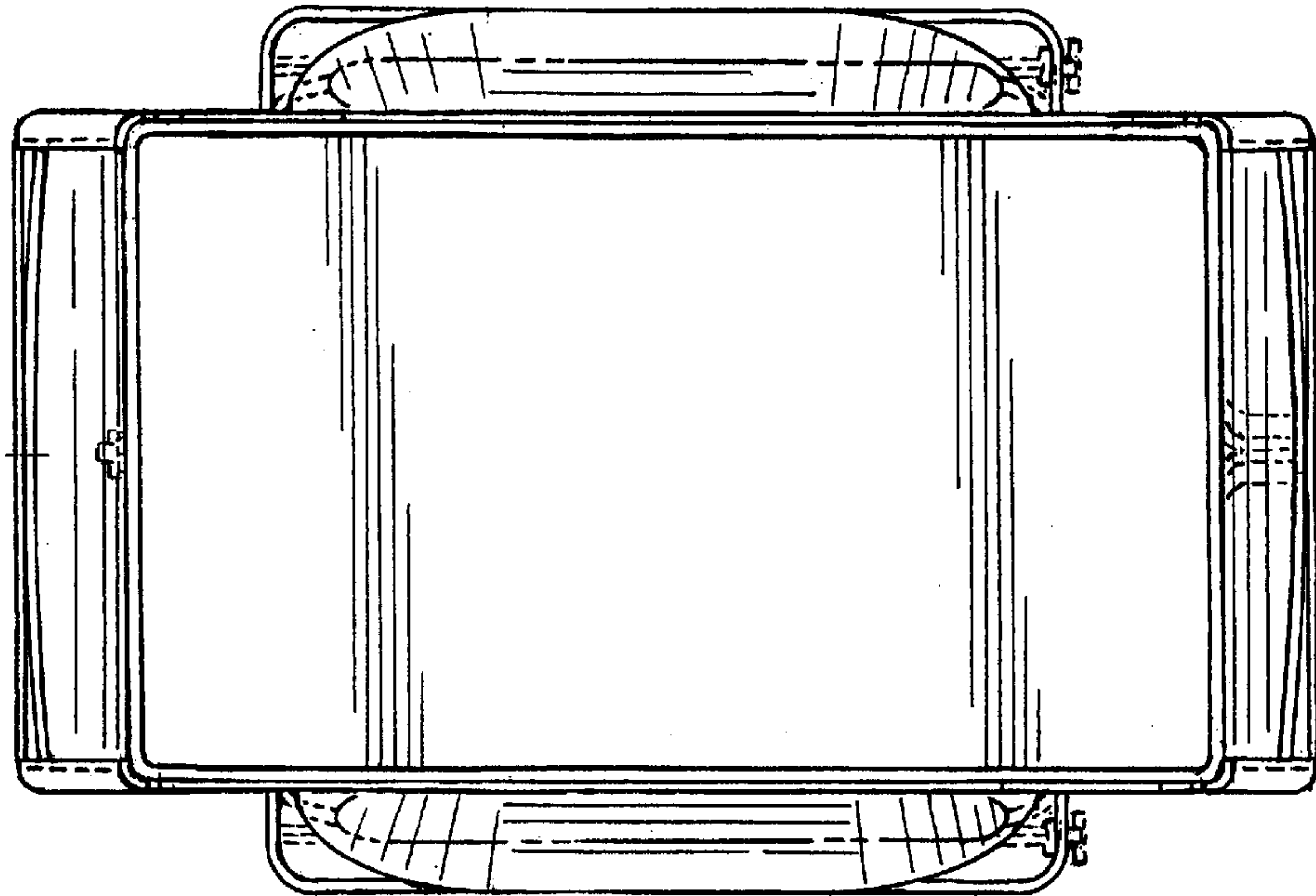


FIG.12

