



US00D475248S

(12) **United States Design Patent**
Cantor et al.

(10) **Patent No.:** **US D475,248 S**

(45) **Date of Patent:** **** Jun. 3, 2003**

(54) **COOLER**

5,154,158 A * 10/1992 Lindsey 62/457.7
D378,562 S * 3/1997 Miller et al. D7/606

(76) Inventors: **Kenneth Cantor**, 4379 Strathdale, West
Bloomfield, MI (US) 48323; **John E.
Nemazi**, 4373 Stoneleigh, Bloomfield
Hills, MI (US) 48302

* cited by examiner

Primary Examiner—Terry A. Wallace
(74) *Attorney, Agent, or Firm*—Brooks & Kushman P.C.

(**) Term: **14 Years**

(57) **CLAIM**

(21) Appl. No.: **29/152,952**

The ornamental design for a cooler, as shown and described.

(22) Filed: **Dec. 27, 2001**

DESCRIPTION

(51) **LOC (7) Cl.** **07-01**

(52) **U.S. Cl.** **D7/605**

(58) **Field of Search** D7/605–608, 391–392.1;
D9/434, 451; D21/484, 488, 498; 206/457;
62/457.1, 457.7, 371, 372; 220/592.2, 592.24,
592.25, 915.1, 915.2

FIG. 1 is a perspective view of a cooler;
FIG. 2 is a front side elevational view thereof;
FIG. 3 is a top plan view thereof;
FIG. 4 is a rear side elevational view;
FIG. 5 is a bottom plan view thereof;
FIG. 6 is a left side elevational view thereof; and,
FIG. 7 is a right side elevational view thereof of the present
invention.

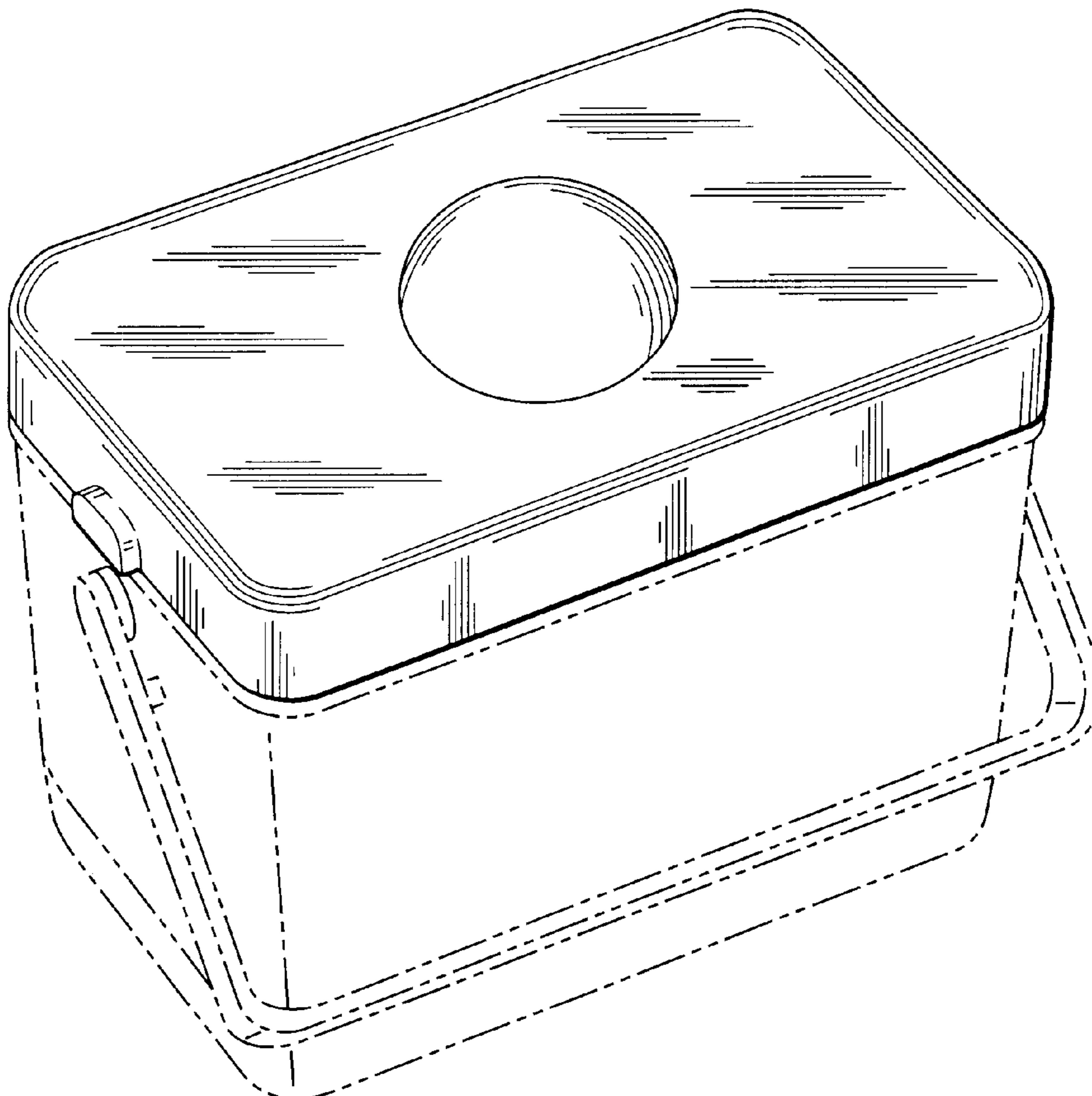
The broken lines are for illustrative purposes only and form
no part of the claimed design.

(56) **References Cited**

U.S. PATENT DOCUMENTS

3,095,967 A * 7/1963 Harvey, Jr. 206/457

1 Claim, 3 Drawing Sheets



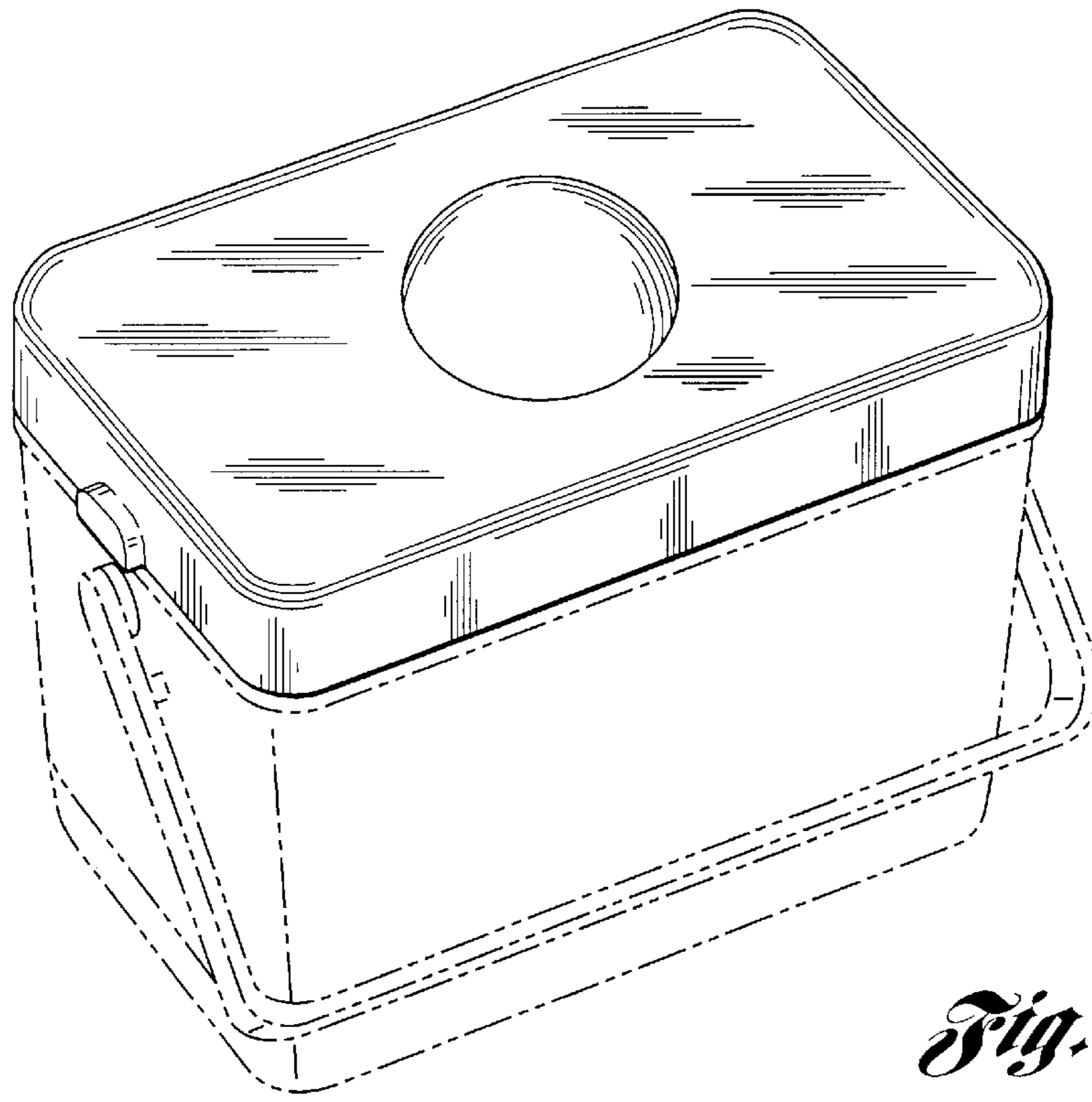


Fig. 1



Fig. 2

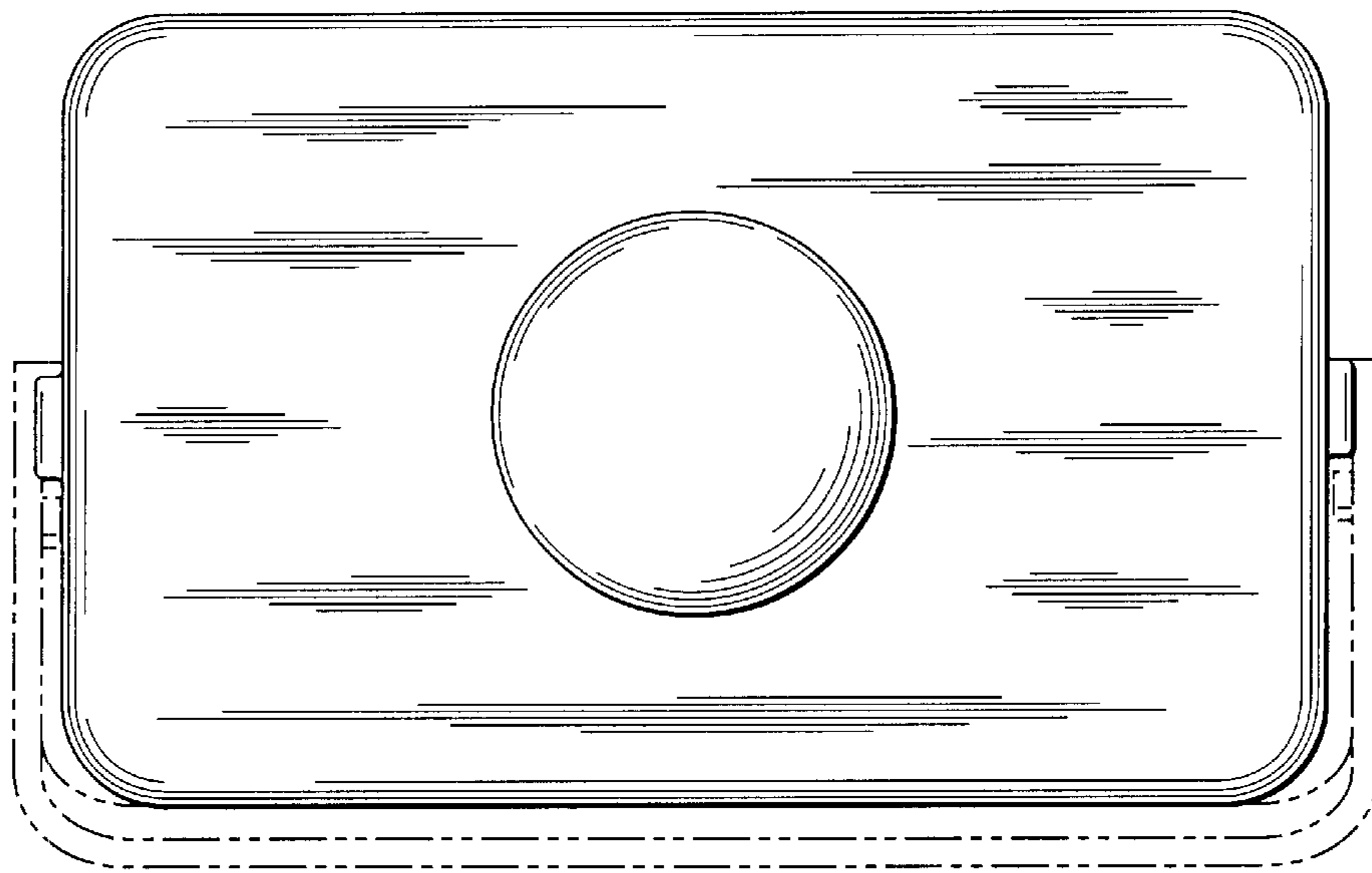


Fig. 3

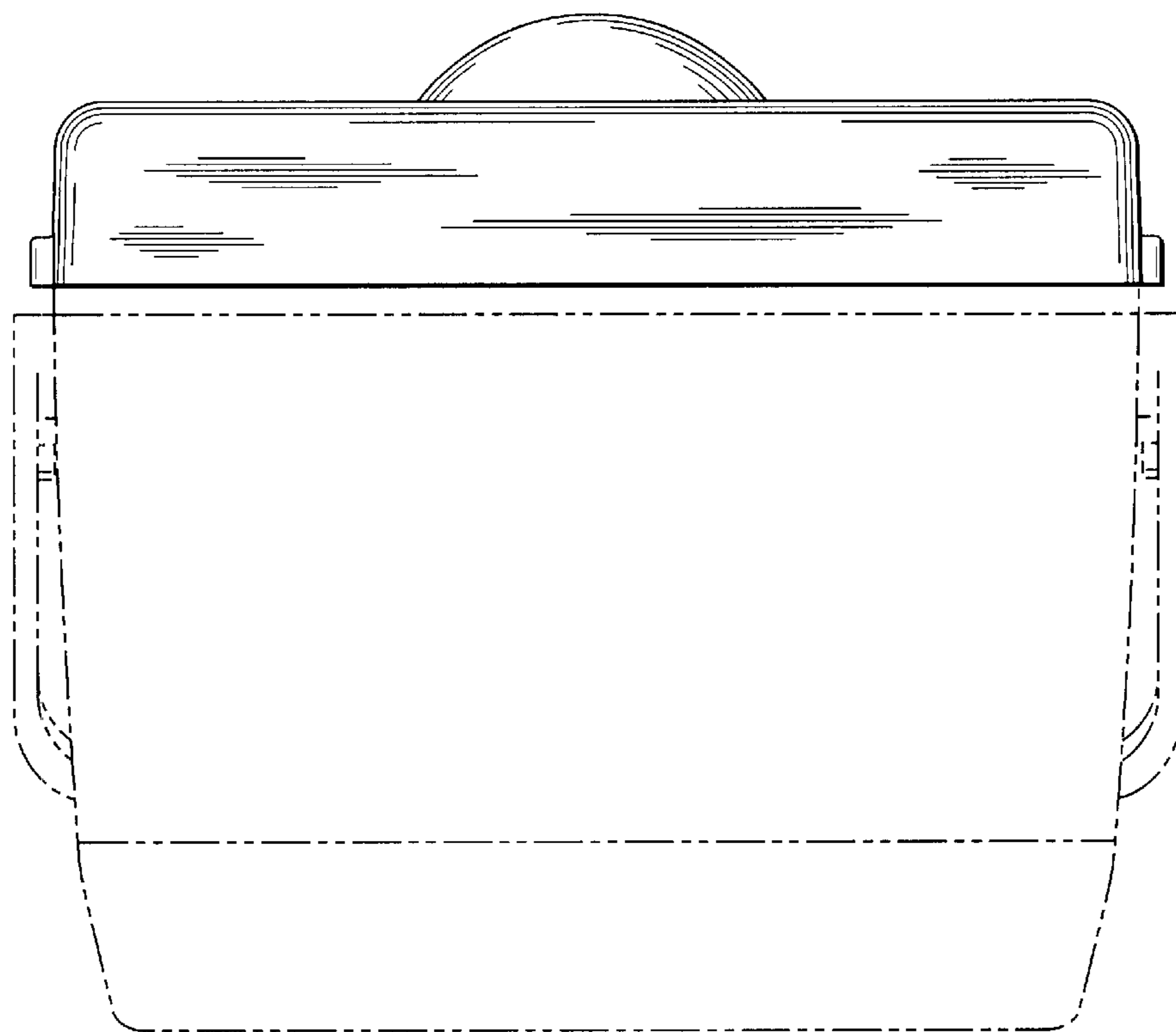


Fig. 4



Fig. 5

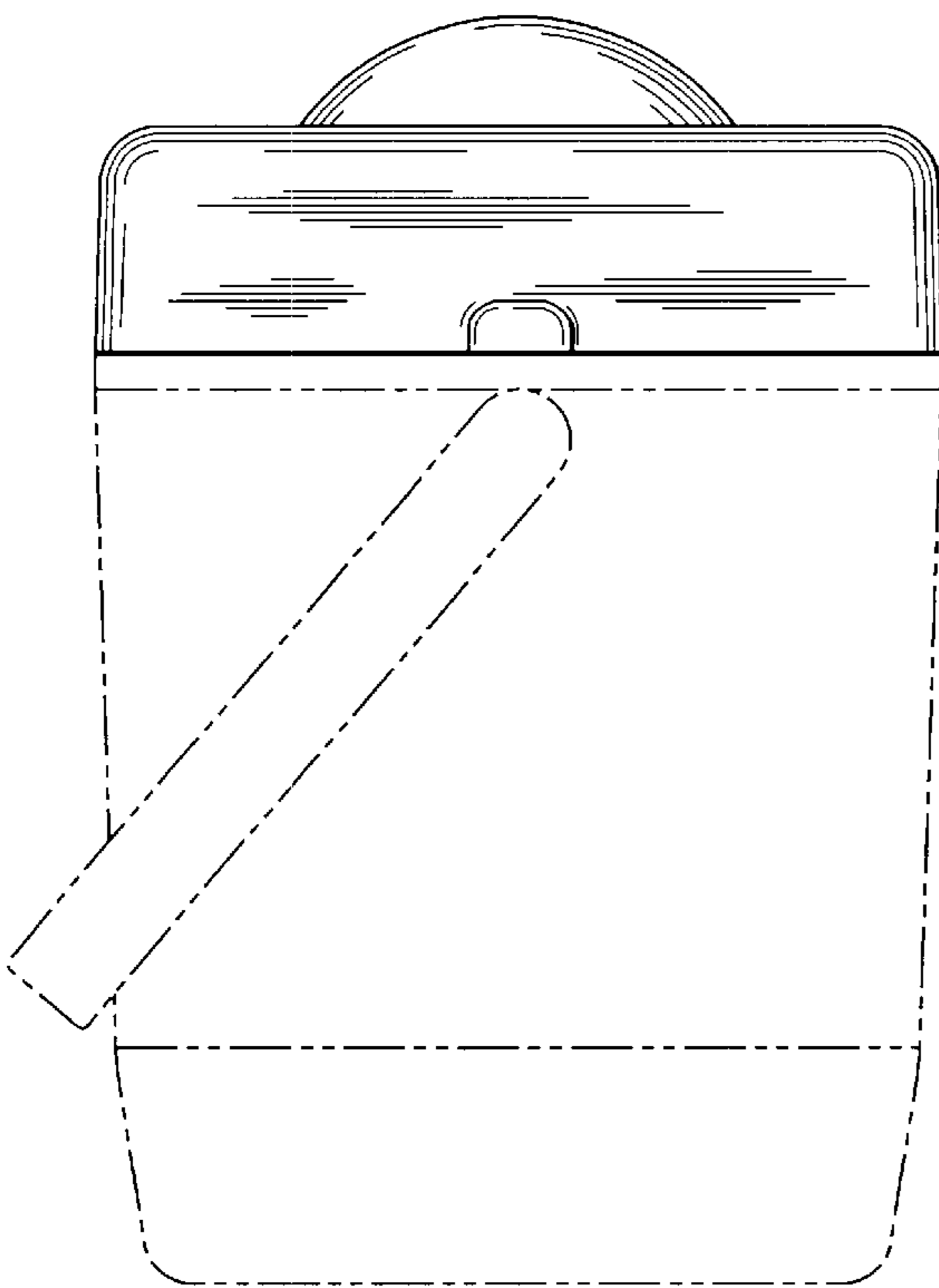


Fig. 6

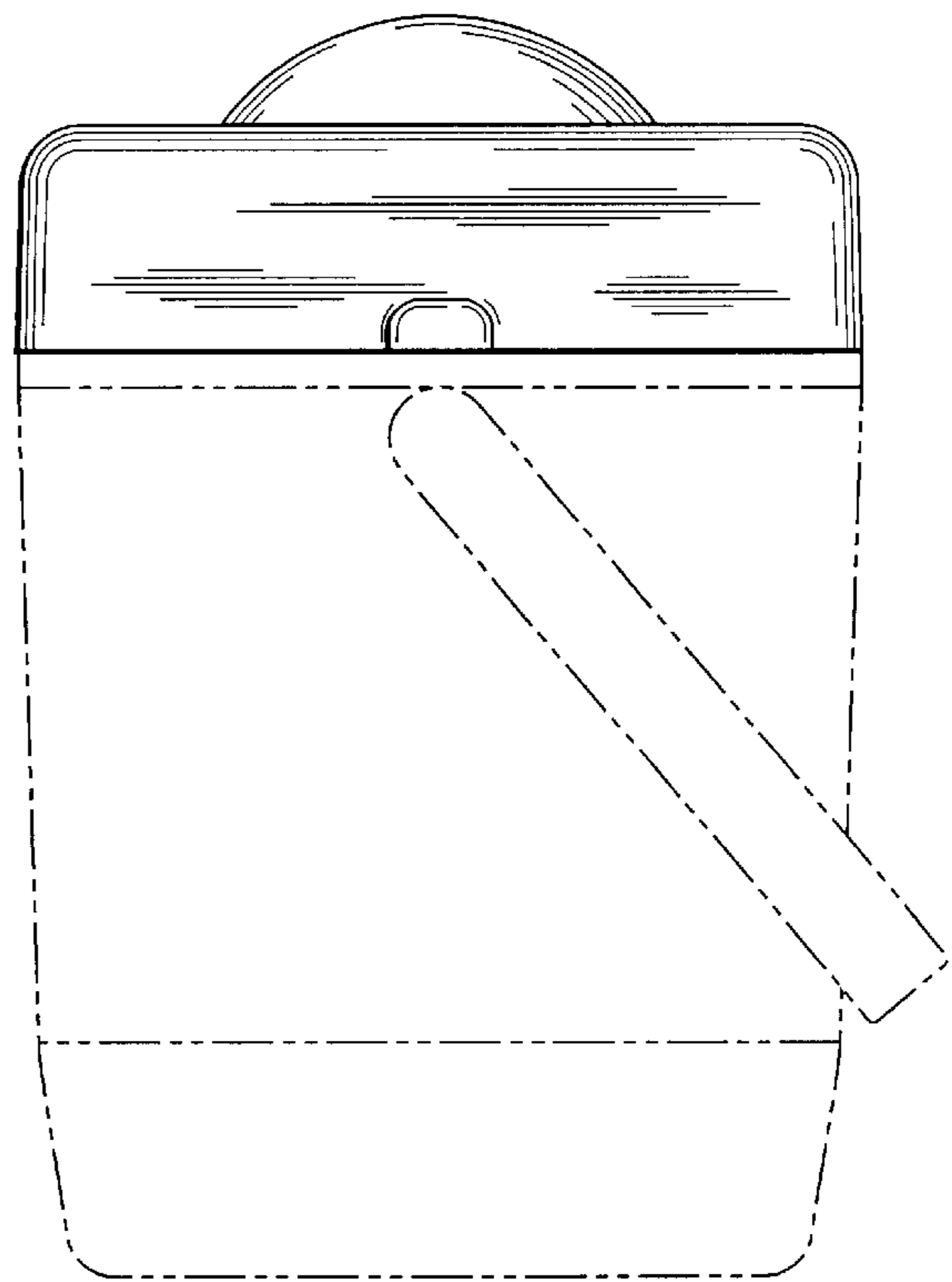


Fig. 7