



US00D475245S

(12) **United States Design Patent**  
**Scherer**

(10) **Patent No.:** **US D475,245 S**

(45) **Date of Patent:** **\*\* Jun. 3, 2003**

(54) **SOUP CUP**

(75) Inventor: **Bernard Scherer**, Luxembourg (LU)

(73) Assignee: **Villeroy & Boch AG**, Mettlach (DE)

(\*\*) Term: **14 Years**

(21) Appl. No.: **29/159,850**

(22) Filed: **Apr. 26, 2002**

(51) **LOC (7) Cl.** ..... **07-01**

(52) **U.S. Cl.** ..... **D7/543; D7/534**

(58) **Field of Search** ..... **D7/533, 534, 543,**  
**D7/545, 586, 587, 360; 220/710.5, 603,**  
**574; 215/396, 398**

(56) **References Cited**

**U.S. PATENT DOCUMENTS**

1,985,375	A	*	12/1934	Krueger	.....	229/400
D101,865	S	*	11/1936	Fuerst	.....	D7/533
2,102,653	A	*	12/1937	Smith	.....	220/574
2,114,260	A	*	4/1938	Von Nessen	.....	215/396
D191,214	S	*	8/1961	Fisher	.....	D7/534
4,096,966	A	*	6/1978	Korshak	.....	220/603

D258,796	S	*	4/1981	Paulides	.....	D7/513
D306,387	S	*	3/1990	Junkman	.....	D7/534
D348,588	S	*	7/1994	Yasunaga	.....	D7/510
D366,987	S	*	2/1996	Allegre	.....	D7/510
D407,605	S	*	4/1999	Berger	.....	D7/516
D427,855	S	*	7/2000	Baker	.....	D7/516
D445,646	S	*	7/2001	Indekeu	.....	D7/536
D462,239	S	*	9/2002	Schibuola	.....	D7/534

\* cited by examiner

*Primary Examiner*—M. N. Pandozzi

(74) *Attorney, Agent, or Firm*—Friedrich Kueffner

(57) **CLAIM**

The ornamental design for a soup cup, as shown and described.

**DESCRIPTION**

FIG. 1 is a perspective front view of a soup cup showing my new design;

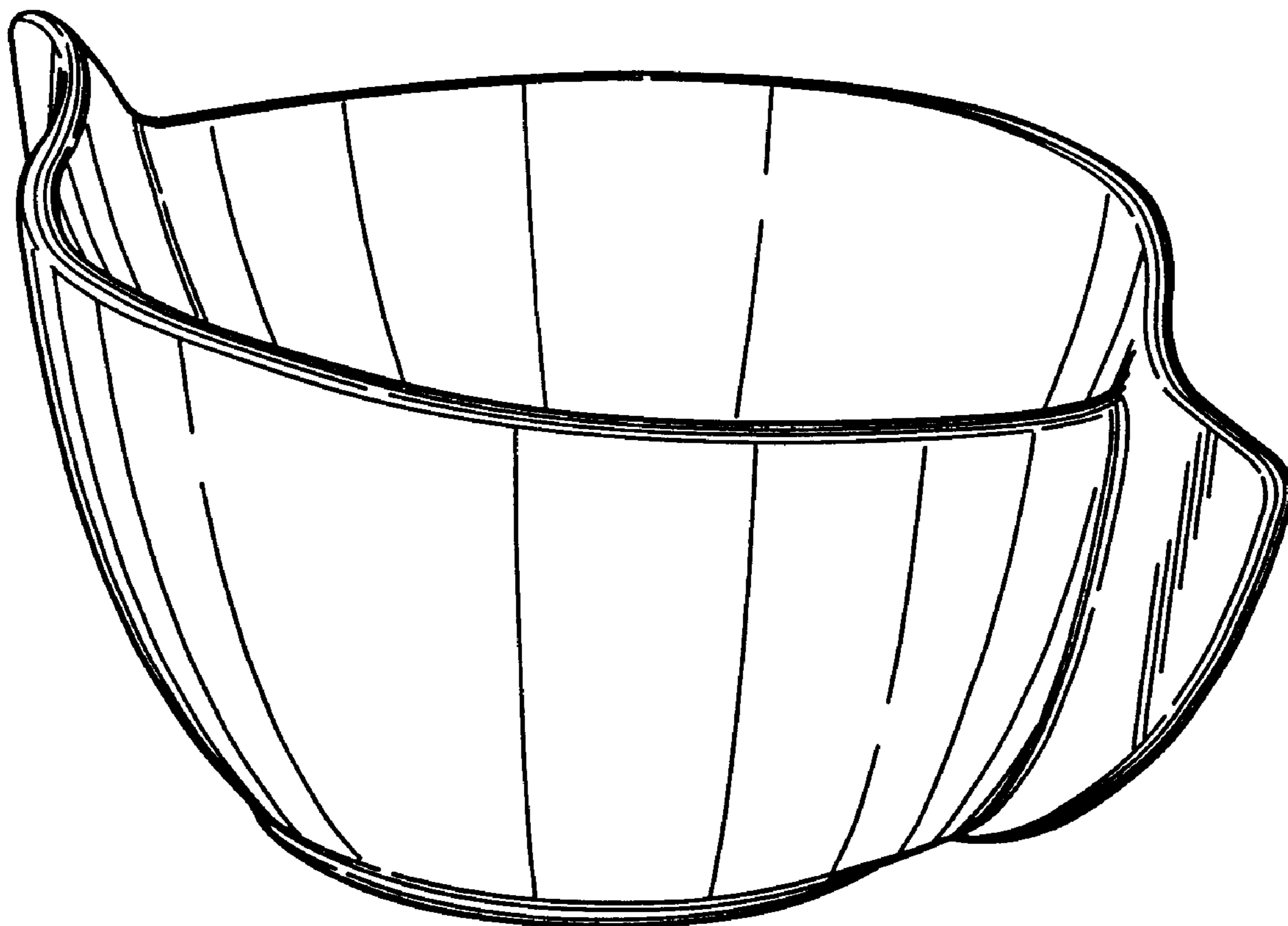
FIG. 2 is a side view thereof;

FIG. 3 is a top view thereof;

FIG. 4 is a front view thereof; and,

FIG. 5 is a back view thereof.

**1 Claim, 3 Drawing Sheets**



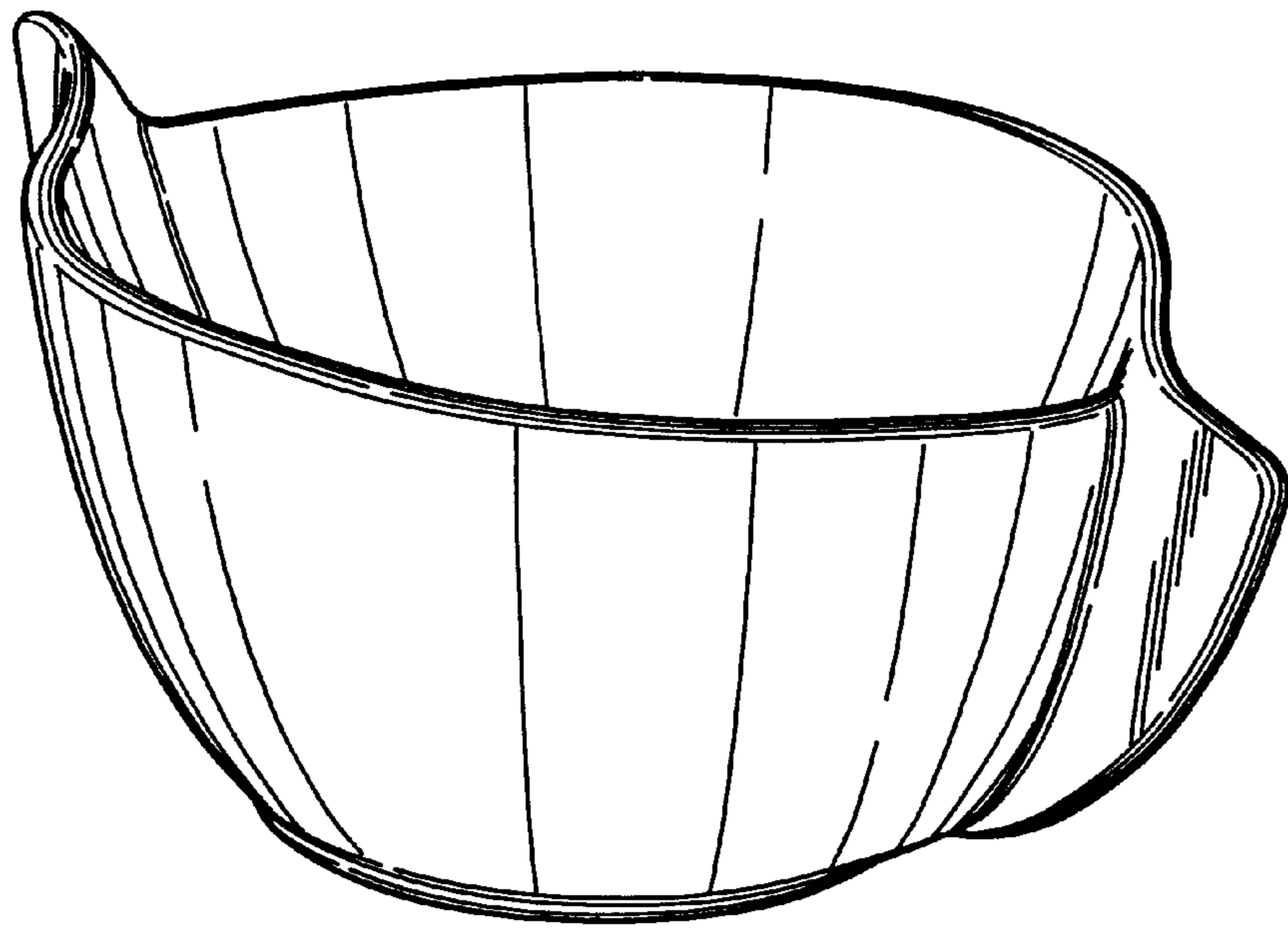


FIG. 1

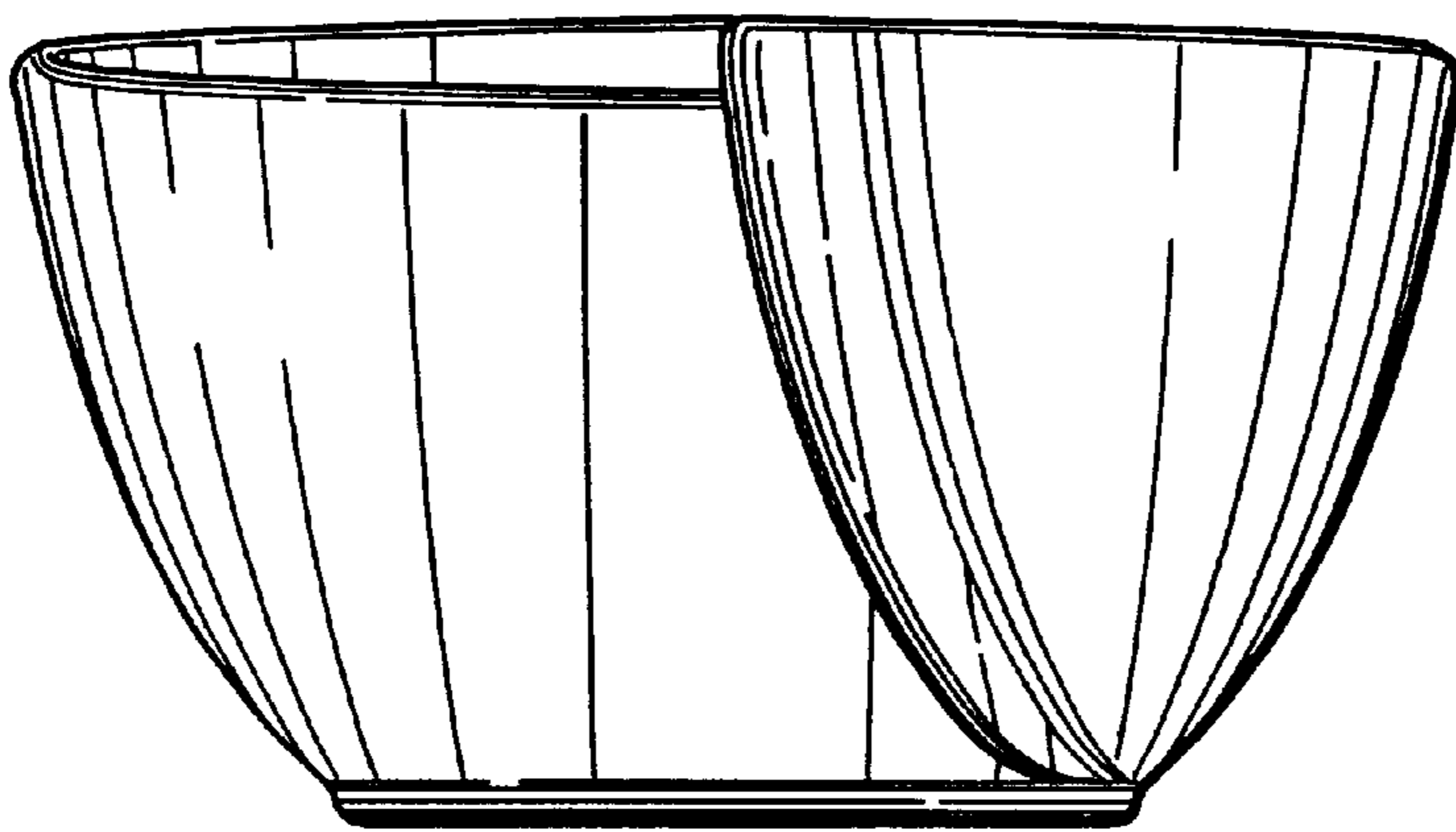


FIG. 2

FIG. 3

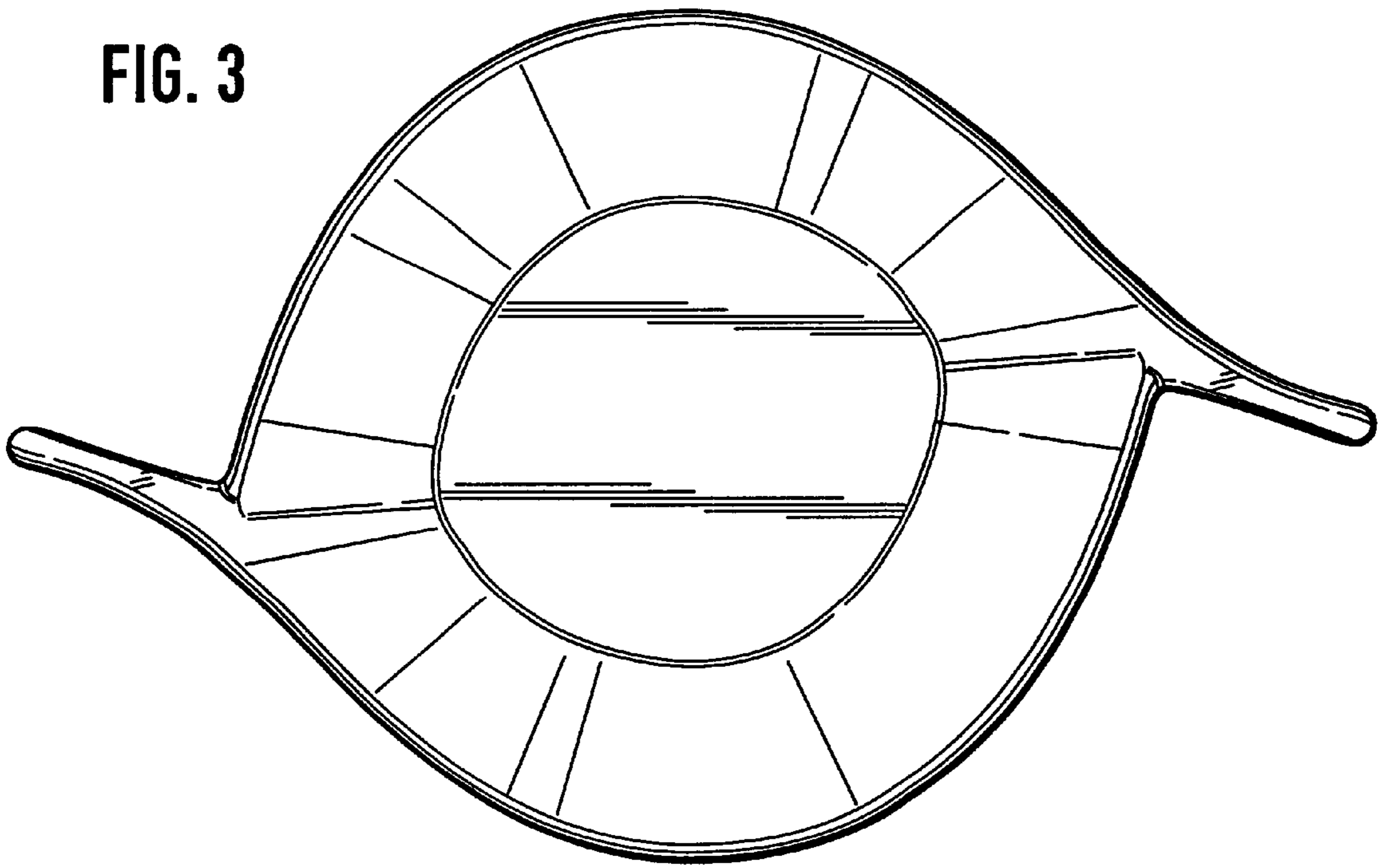
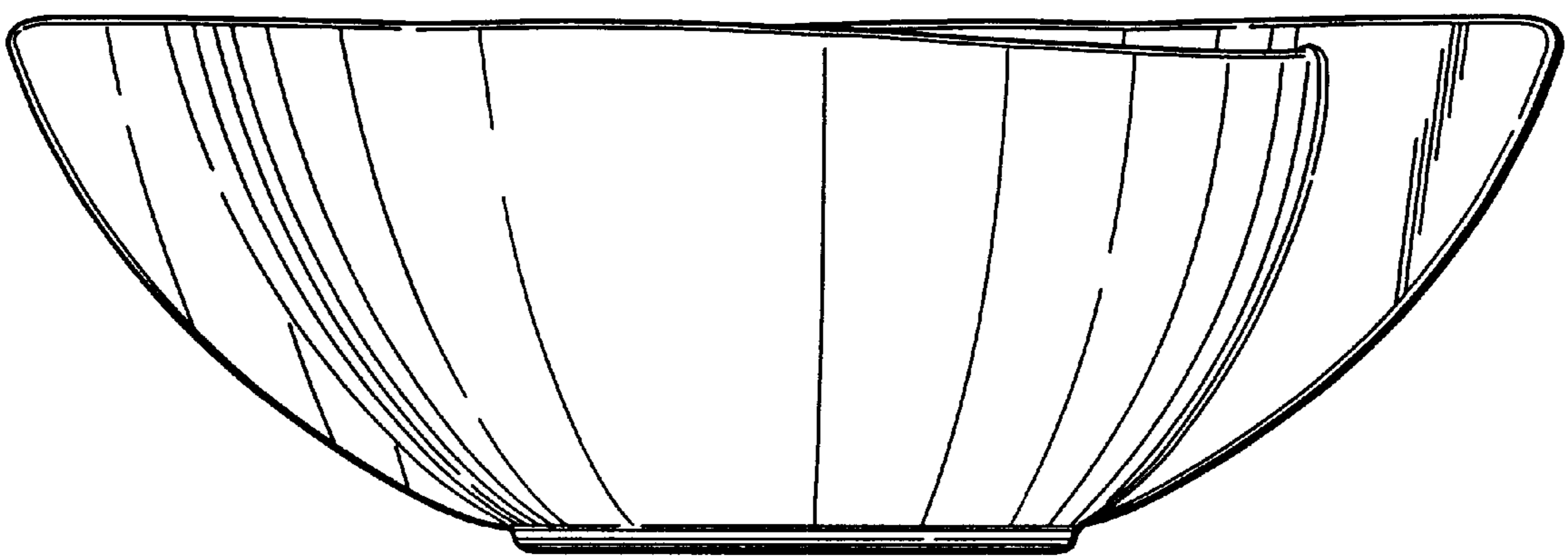


FIG. 4



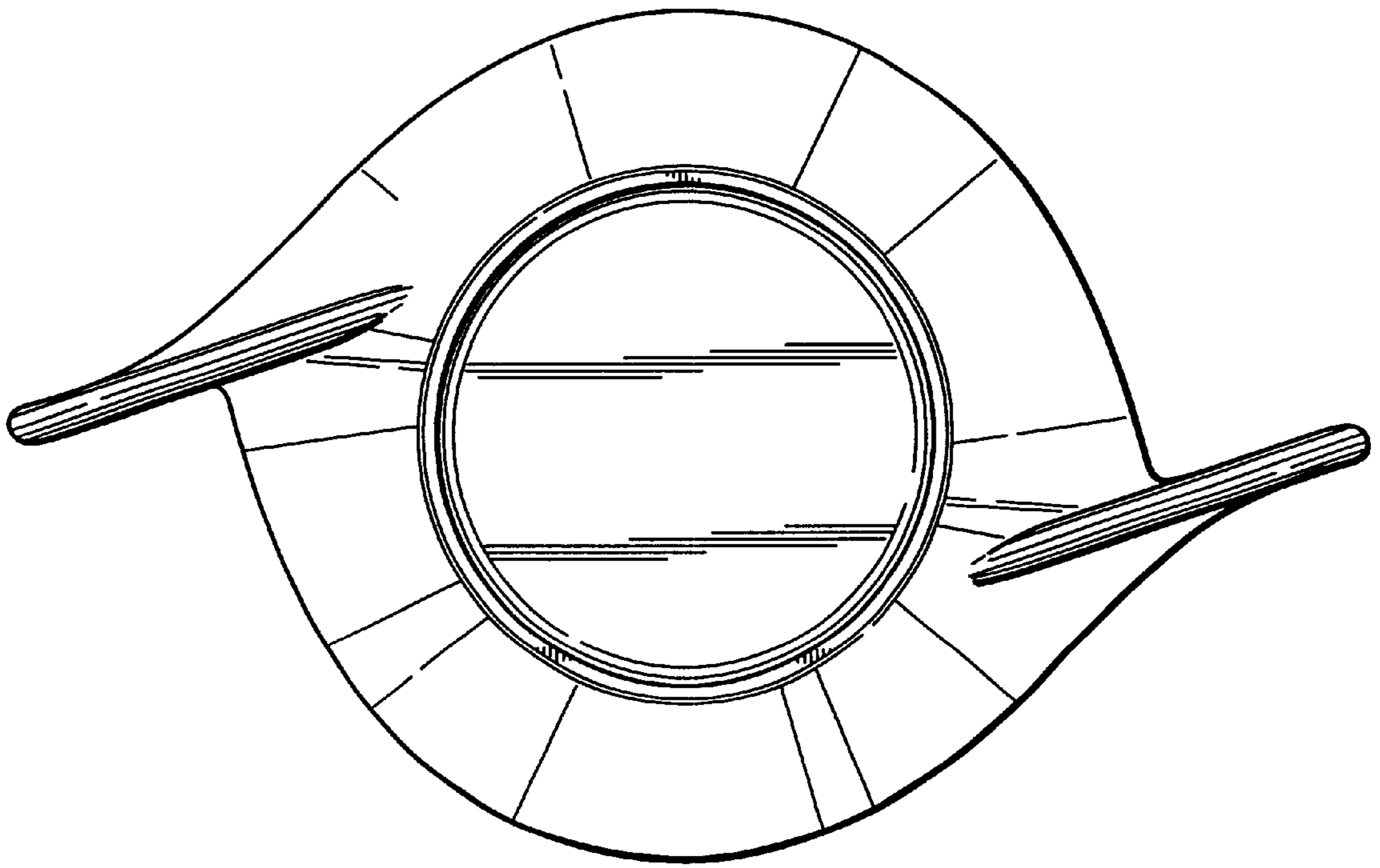


FIG. 5