



US00D475244S

(12) **United States Design Patent**
Trombly

(10) **Patent No.:** **US D475,244 S**

(45) **Date of Patent:** **** Jun. 3, 2003**

(54) **BEVERAGE CONTAINER**

(75) Inventor: **Edgar F. Trombly**, Grosse Pointe Farms, MI (US)

(73) Assignee: **Punch Products USA, Inc.**, Rahway, NJ (US)

(**) Term: **14 Years**

(21) Appl. No.: **29/154,880**

(22) Filed: **Jan. 30, 2002**

(51) **LOC (7) Cl.** **07-01**

(52) **U.S. Cl.** **D7/536; D7/533**

(58) **Field of Search** **D7/533, 534, 535, D7/536, 509; D9/531; 220/710.5, 713, 703; 215/396, 398; D24/122**

(56) **References Cited**

U.S. PATENT DOCUMENTS

D197,528 S	*	2/1964	Carroll	D7/534
4,016,998 A	*	4/1977	Finch	220/703
D248,527 S	*	7/1978	Bryk	D7/536
D316,946 S	*	5/1991	Dewey	D7/535
D406,985 S	*	3/1999	Trombly	D7/536
D407,605 S	*	4/1999	Berger	D7/516
6,076,699 A	*	6/2000	Seager et al.	220/710.5
D451,398 S	*	12/2001	Manderfield, Jr. et al.	...	D9/531
D451,762 S	*	12/2001	Tessmer	D7/536

* cited by examiner

Primary Examiner—M. N. Pandozzi

(74) *Attorney, Agent, or Firm*—Pennie & Edmonds LLP

(57) **CLAIM**

The ornamental design for a beverage container, as shown and described.

DESCRIPTION

FIG. 1 is a perspective view of a beverage container according to the present invention, with a portion shown in broken lines, and therefore, not constituting part of the claimed design;

FIG. 2 is a right side view thereof, the left side view being a mirror image thereof;

FIG. 3 is a front view thereof;

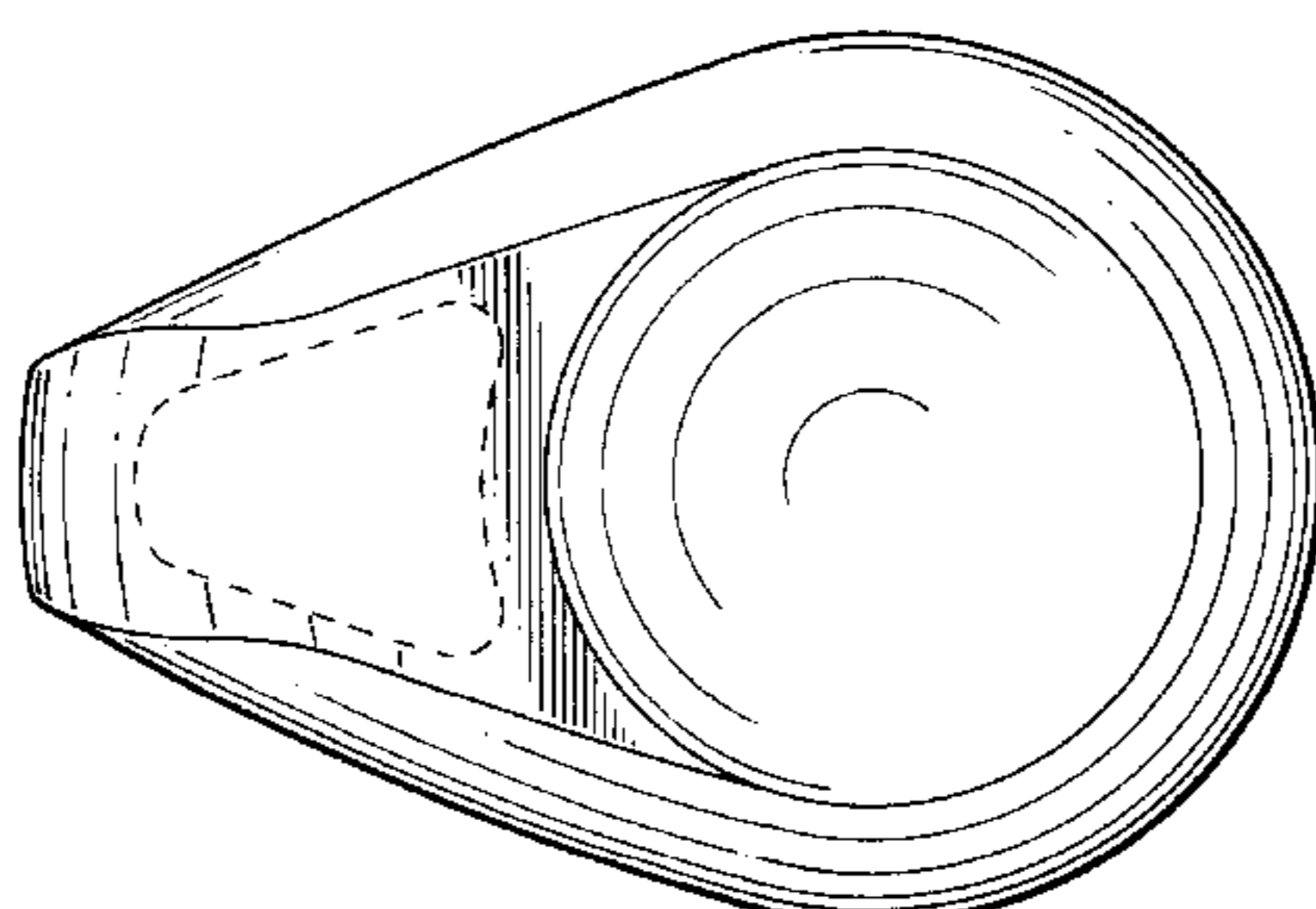
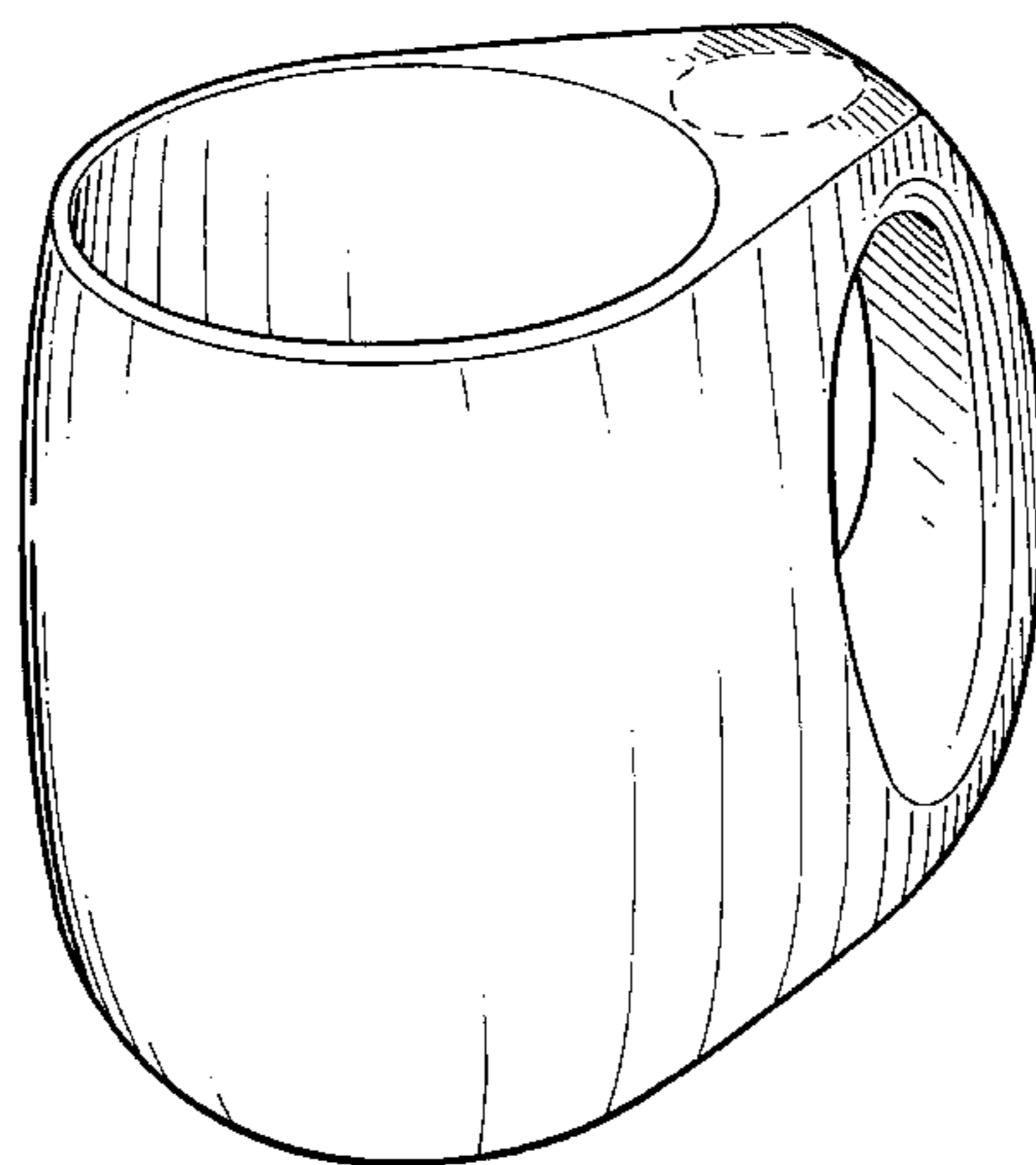
FIG. 4 is a rear view thereof, with a portion shown in broken lines, and therefore, not constituting part of the claimed design;

FIG. 5 is a top view thereof, with a portion shown in broken lines, and therefore, not constituting part of the claimed design; and,

FIG. 6 is a bottom view thereof, with a portion shown in broken lines and, therefore, not constituting part of the claimed design.

All broken lines in the above figures are for illustrative purposes only and form no part of the claimed design.

1 Claim, 6 Drawing Sheets



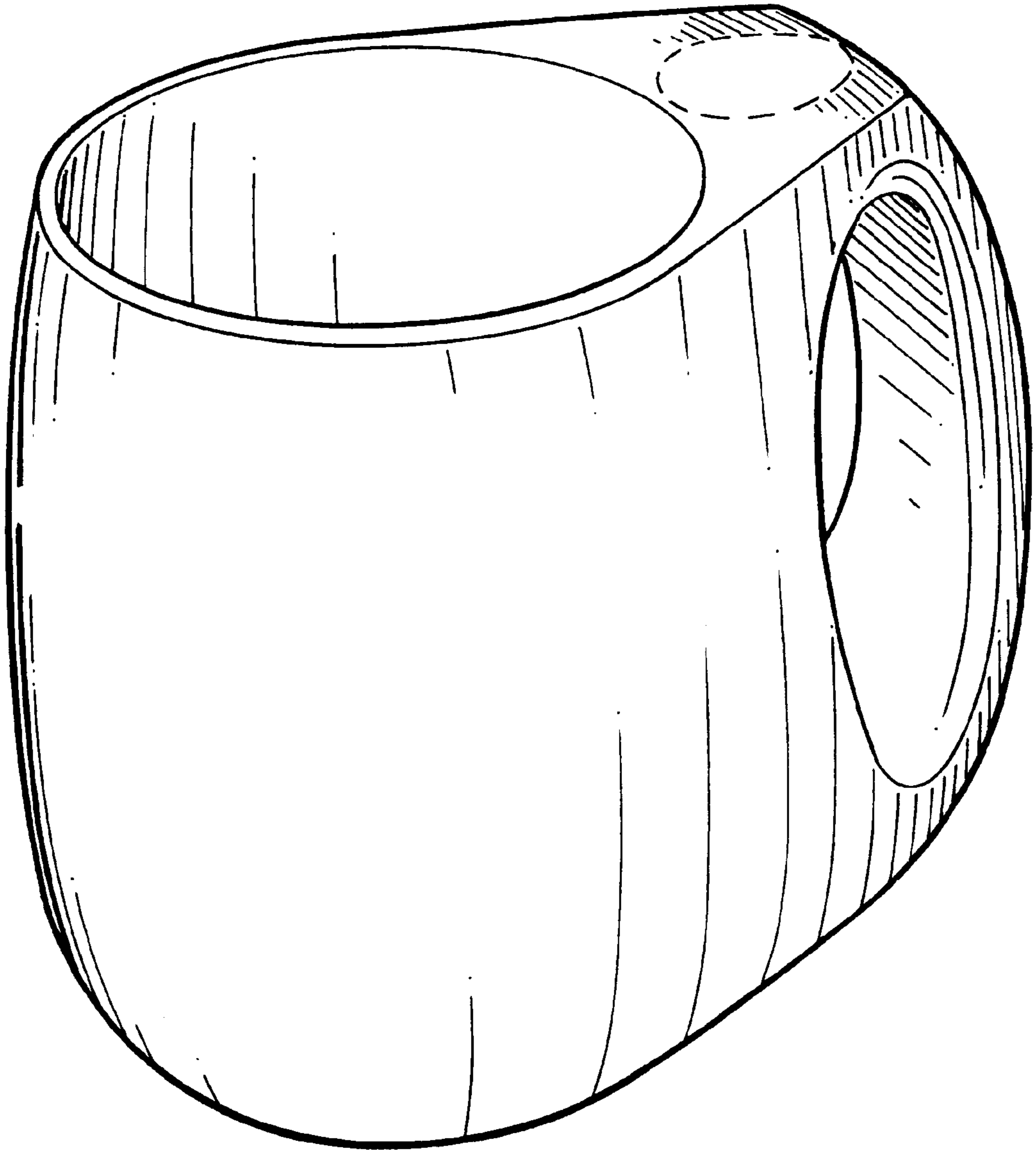


FIG. 1

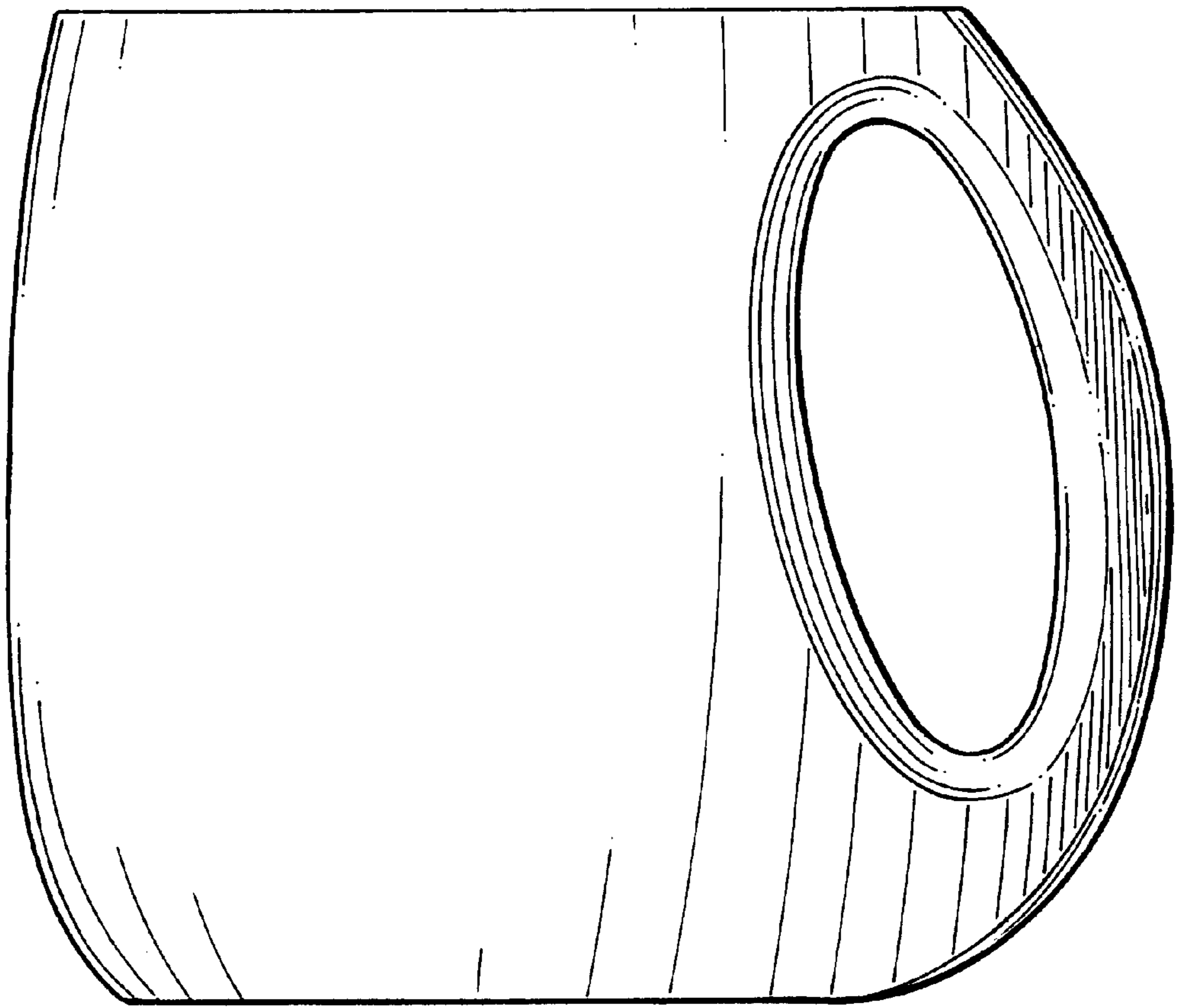


FIG. 2

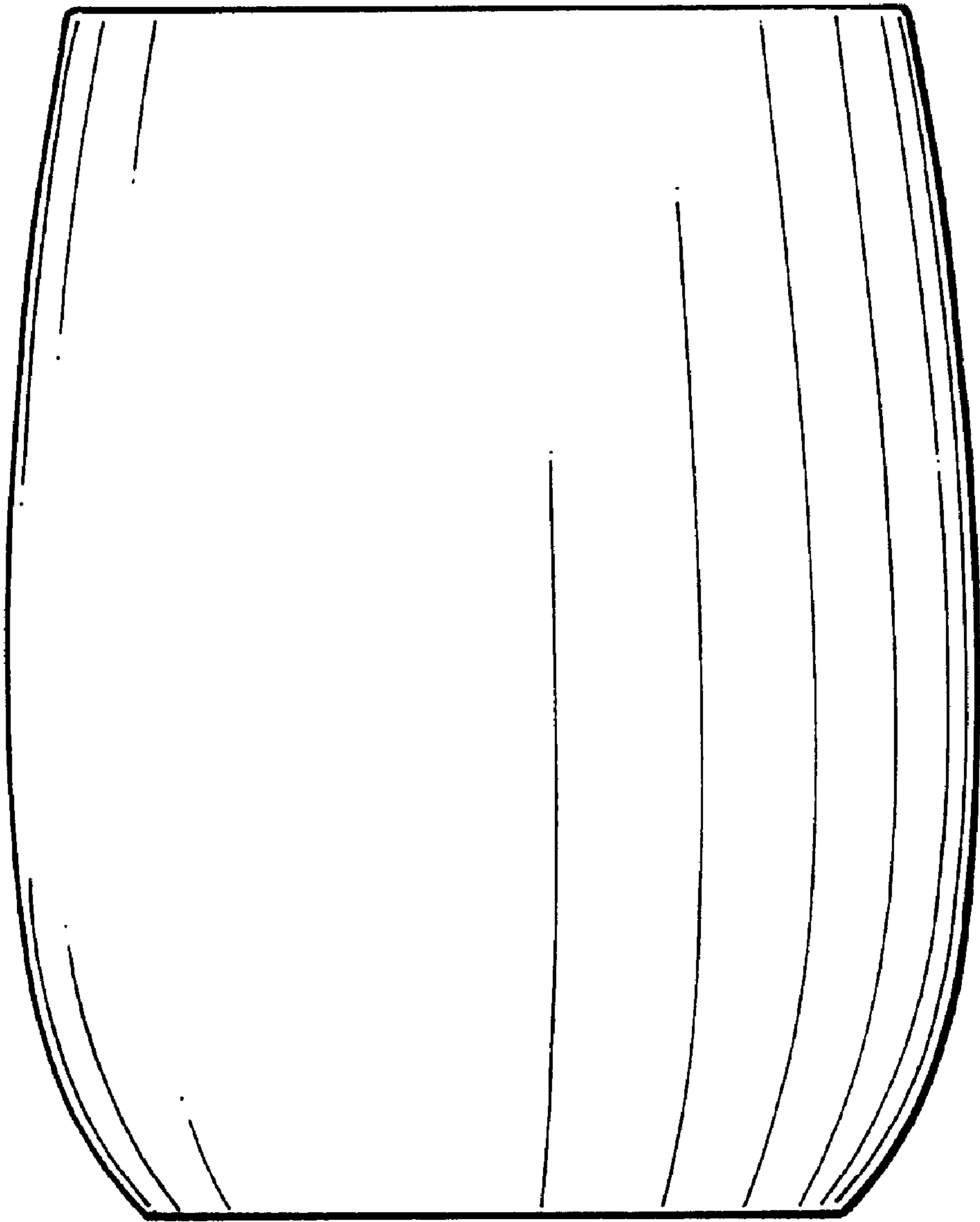


FIG. 3

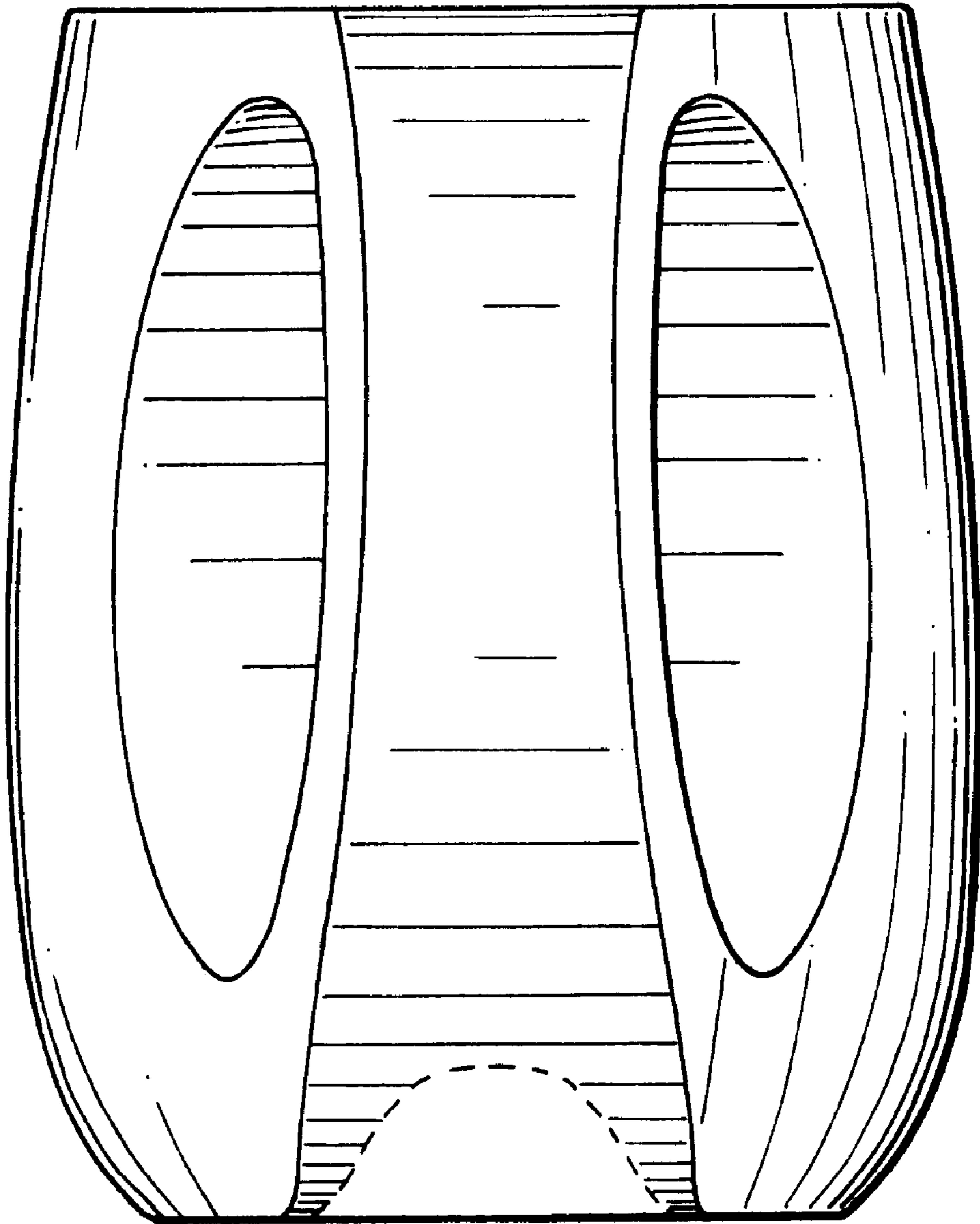


FIG. 4

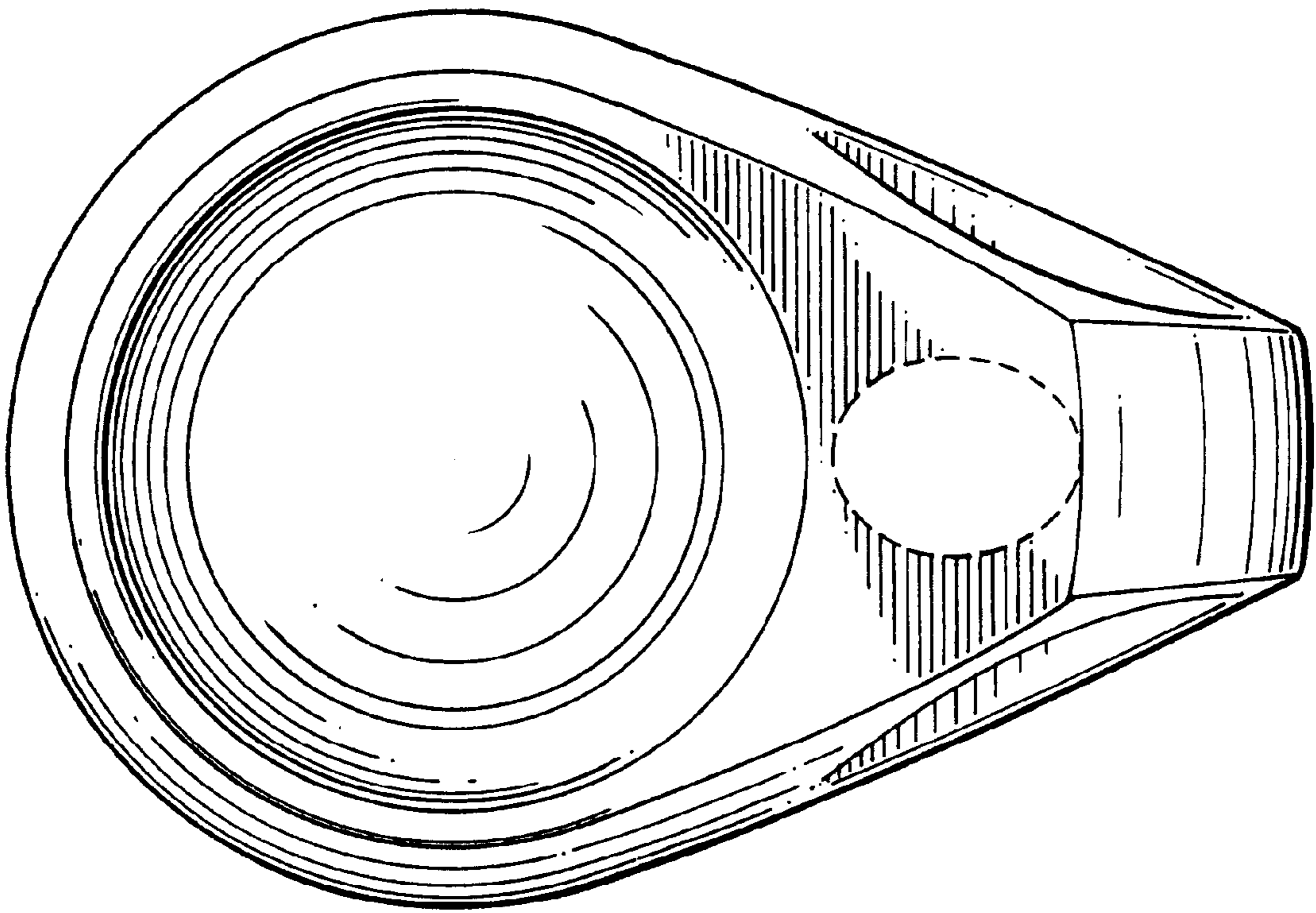


FIG. 5

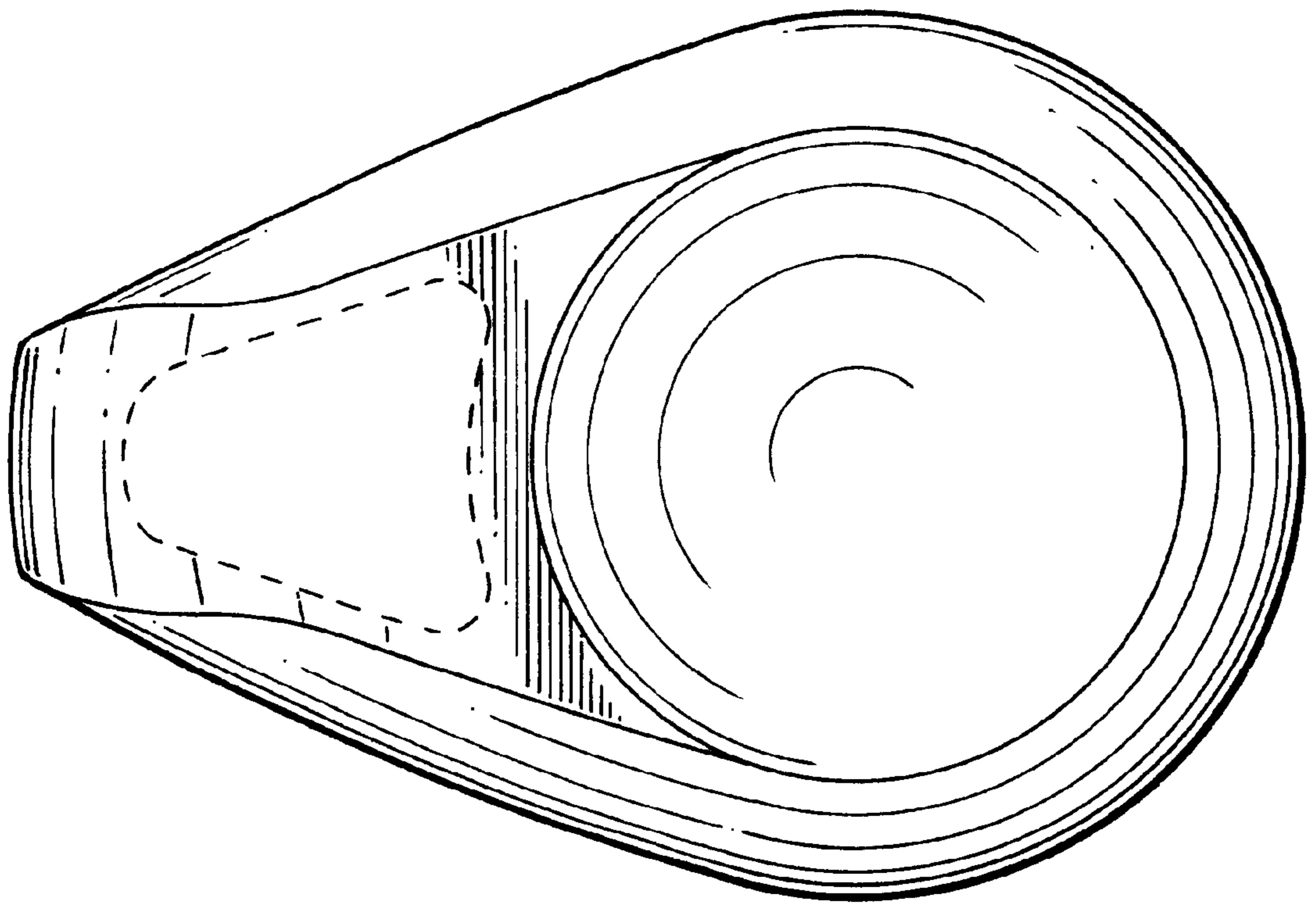


FIG. 6