



US00D475242S

(12) **United States Design Patent**
Jalet

(10) **Patent No.:** **US D475,242 S**

(45) **Date of Patent:** **** Jun. 3, 2003**

(54) **TABLEWARE HANDLE**

D433,288 S 11/2000 Chien D7/649

(75) Inventor: **Vincent Jalet**, Brussels (BE)

FOREIGN PATENT DOCUMENTS

(73) Assignee: **Dart Industries Inc.**, Orlando, FL (US)

DE 399520 8/1924
GB 14026 10/1884 30/340
WO DM-051461 * 3/2000

(**) Term: **14 Years**

* cited by examiner

(21) Appl. No.: **29/163,015**

Primary Examiner—Caron D. Veynar

(22) Filed: **Jun. 24, 2002**

(74) *Attorney, Agent, or Firm*—John A. Doninger

(51) **LOC (7) Cl.** **07-03**

(57) **CLAIM**

(52) **U.S. Cl.** **D7/401.2**

The ornamental design for a tableware handle, as shown and described.

(58) **Field of Search** D7/642, 645, 649,
D7/650, 653, 662–664, 401.2; 30/322–328

DESCRIPTION

(56) **References Cited**

U.S. PATENT DOCUMENTS

D180,208 S * 4/1957 Thaler D7/653
D181,692 S * 12/1957 Thomson et al. D7/662
D235,242 S * 6/1975 Dart et al. D7/653
D236,070 S * 7/1975 Dart et al. D7/650
D236,420 S * 8/1975 Dart et al. D7/653
D236,421 S * 8/1975 Dart et al. D7/653
4,317,284 A 3/1982 Prindle 30/340
4,524,512 A * 6/1985 Formo et al. 30/147
D346,722 S 5/1994 Burdick et al. D7/645
D356,453 S 3/1995 Fossier
D411,417 S * 6/1999 Gebhardt D7/653
D431,757 S * 10/2000 Junko D7/653

FIG. 1 is a top, left perspective view of a tableware handle showing my new design;

FIG. 2 is a bottom, right perspective view thereof;

FIG. 3 is a left side elevation view thereof, the right side elevation view being identical;

FIG. 4 is a handle-end elevation view thereof;

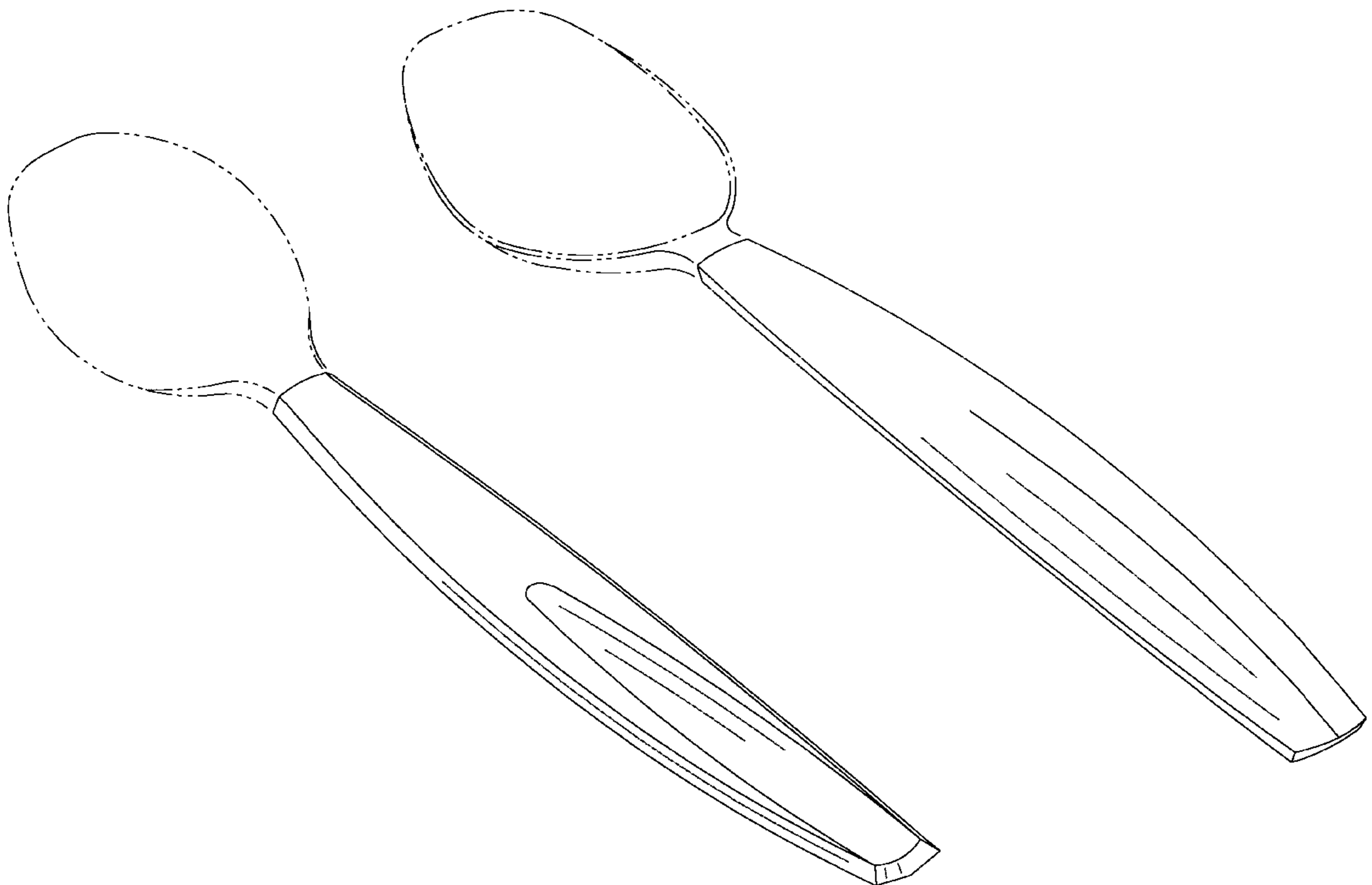
FIG. 5 is an implement-end elevation view thereof;

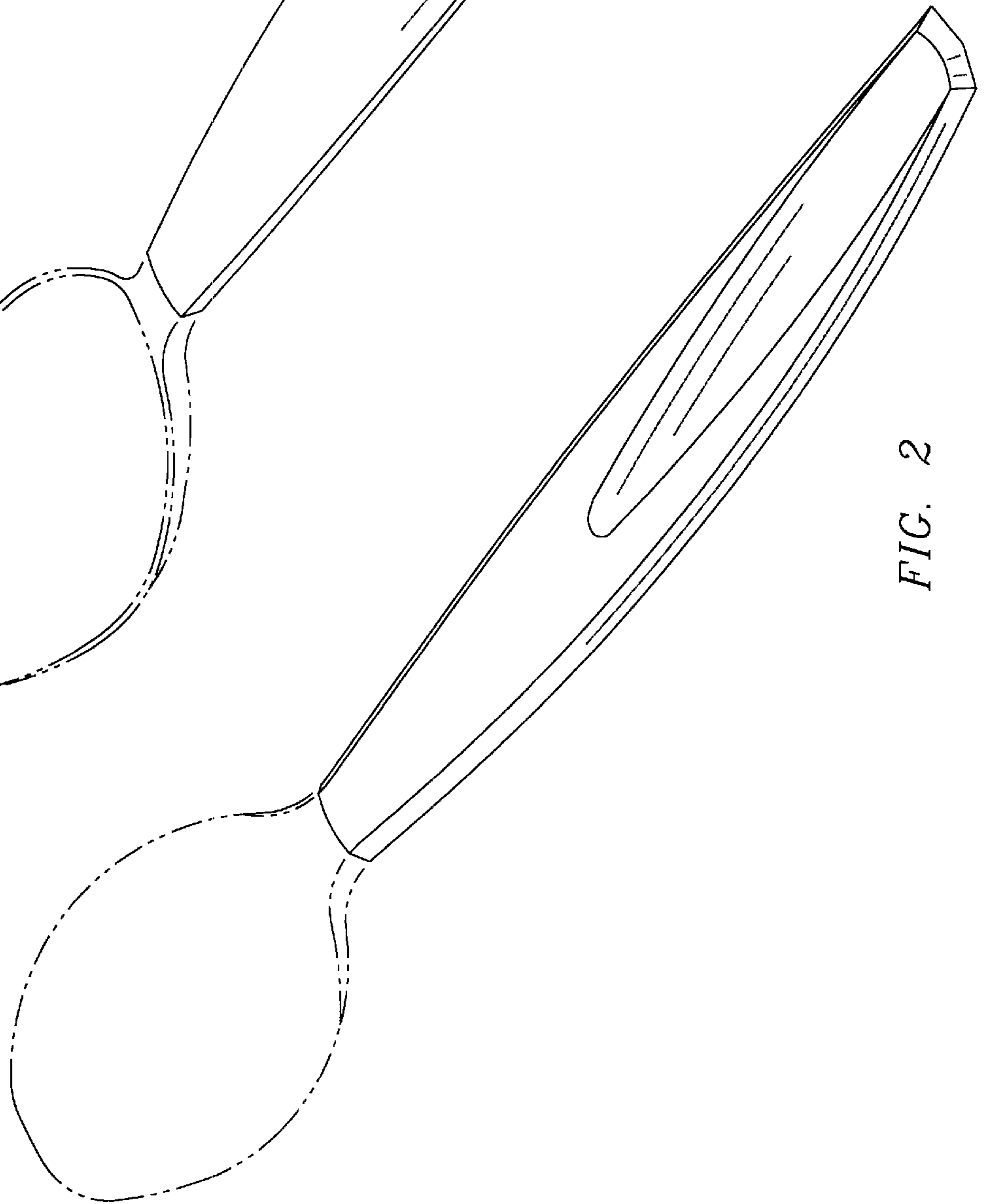
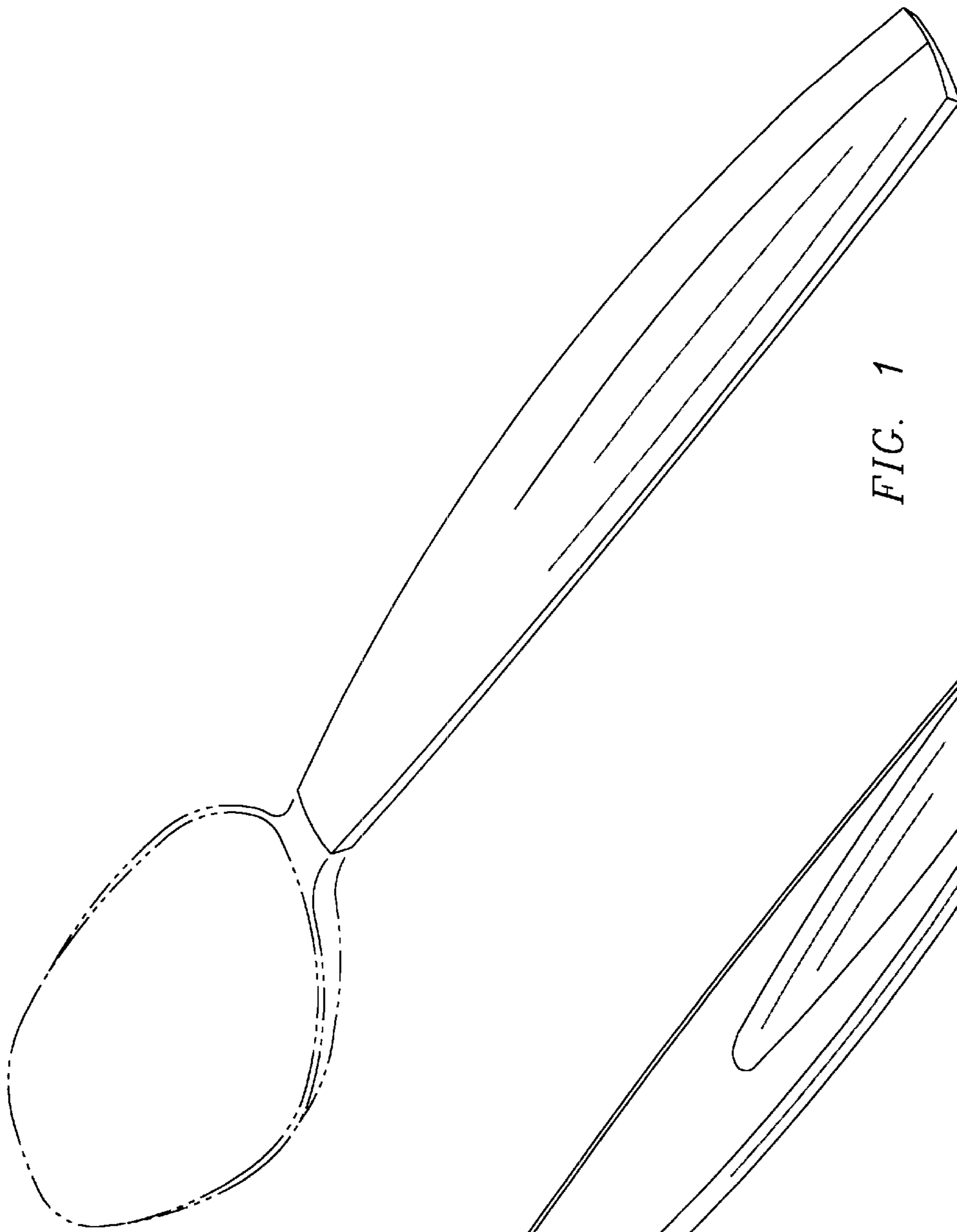
FIG. 6 is a top plan view thereof; and,

FIG. 7 is a bottom plan view thereof.

The broken line showing environmental structure is for illustrative purposes only and forms no part of the claimed design.

1 Claim, 3 Drawing Sheets





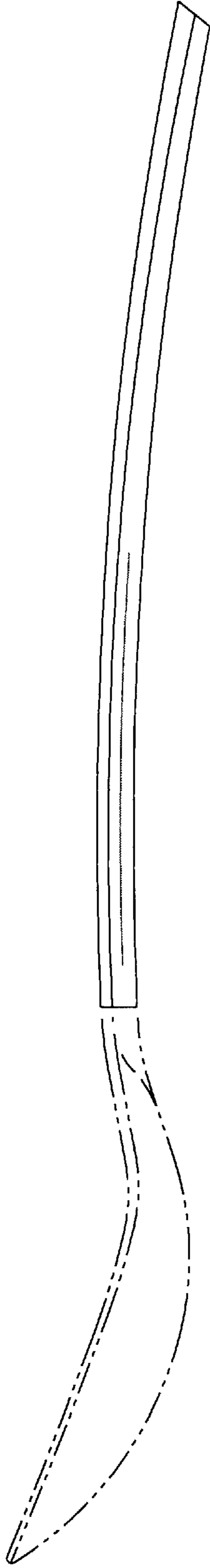


FIG. 3

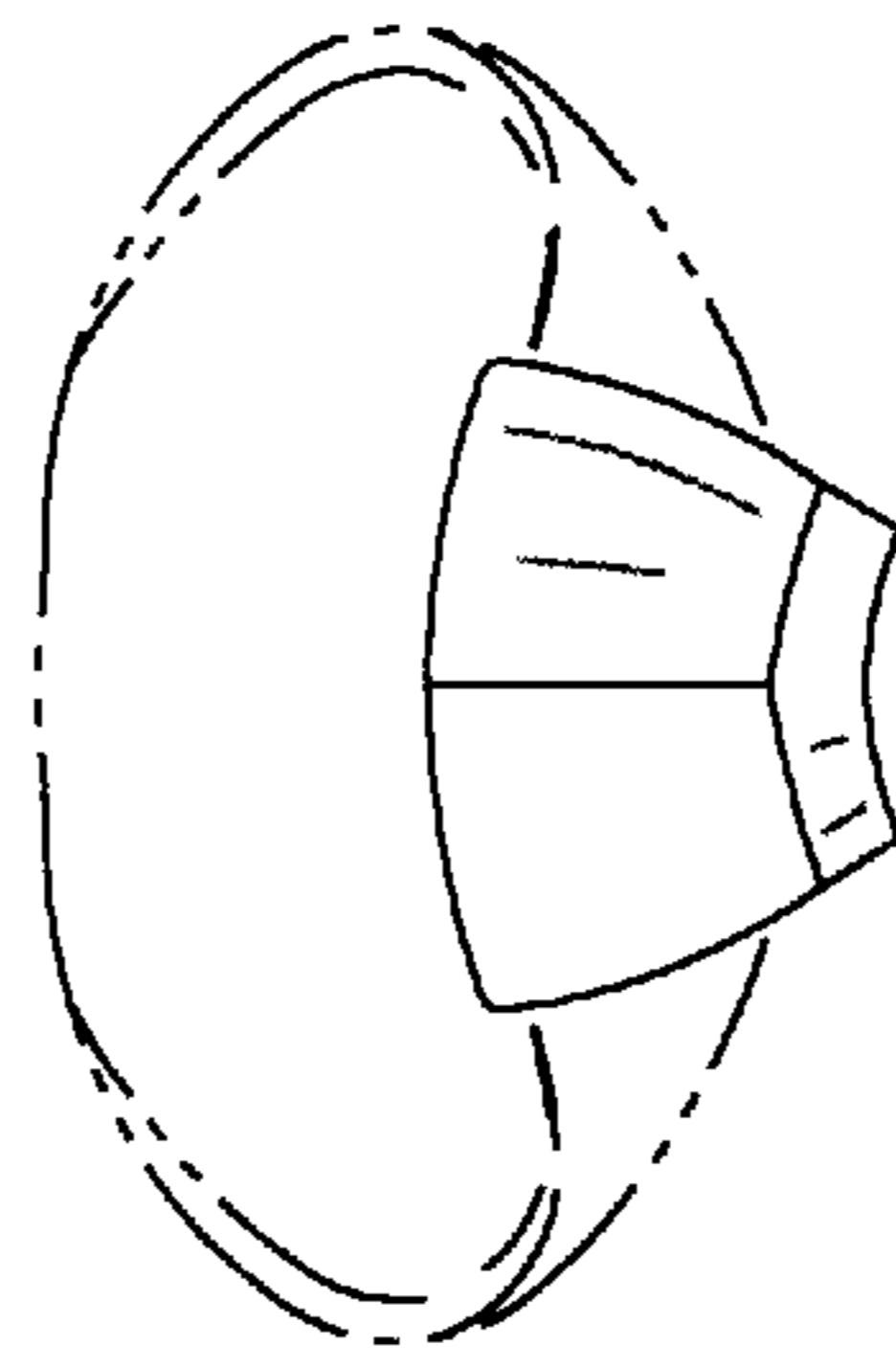


FIG. 4

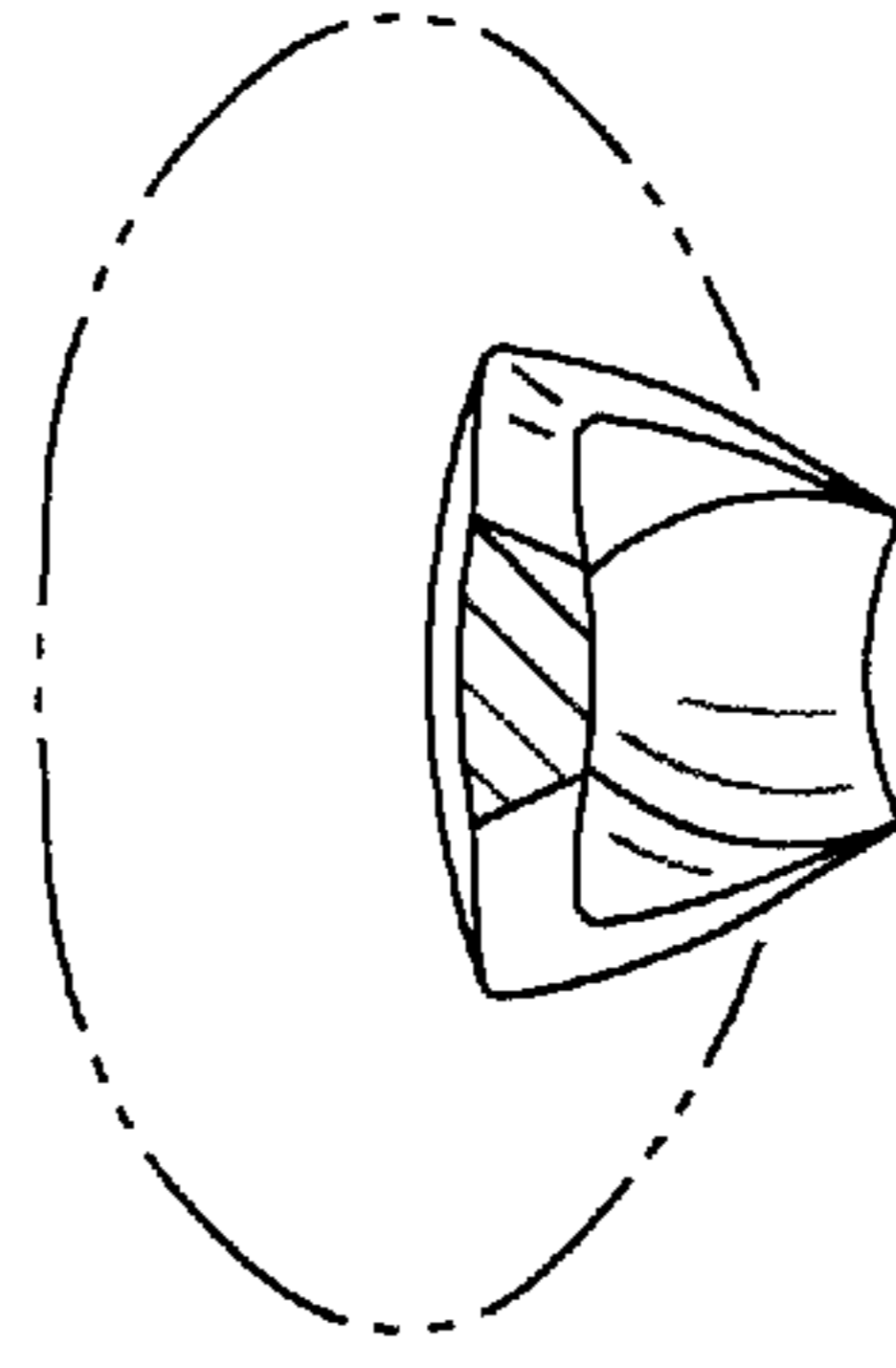


FIG. 5

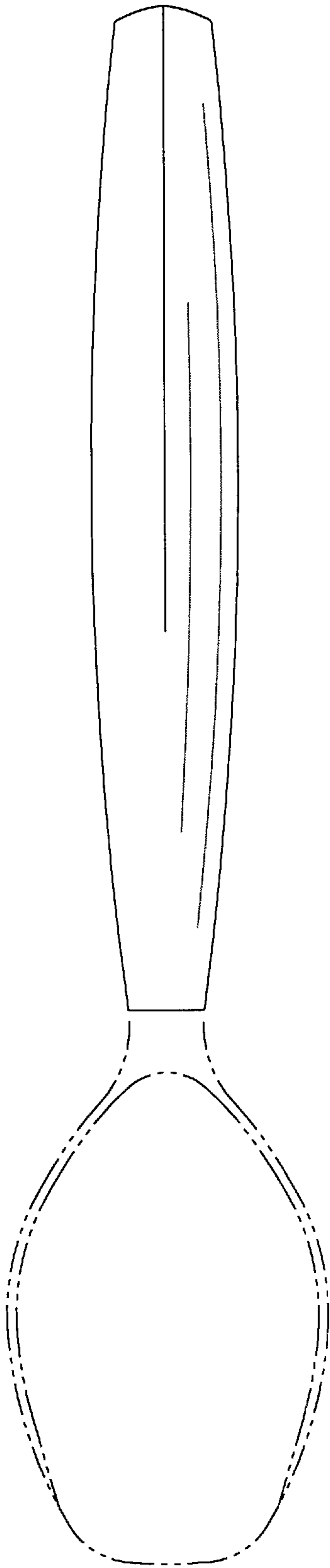


FIG. 6

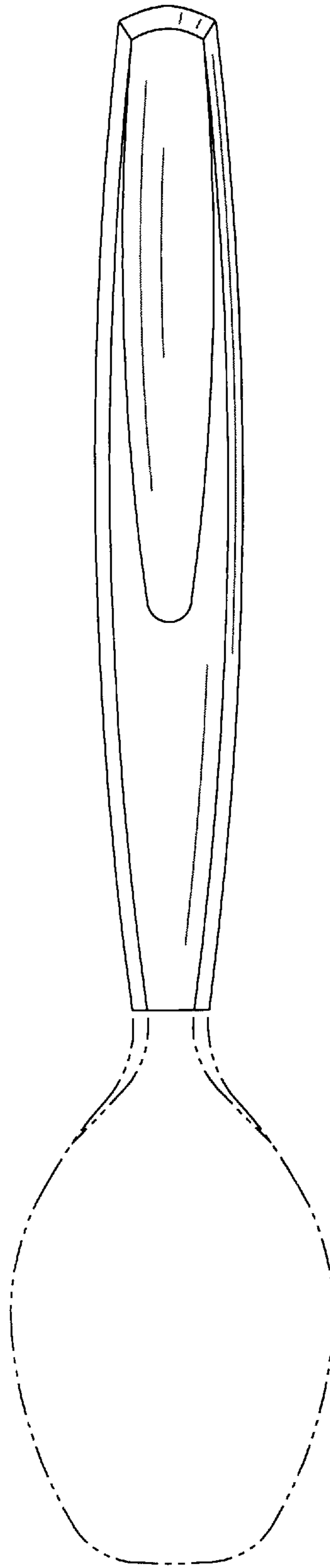


FIG. 7