



US00D475240S

(12) **United States Design Patent**  
**Trombly**

(10) **Patent No.:** **US D475,240 S**

(45) **Date of Patent:** **\*\* Jun. 3, 2003**

(54) **CONTAINER LID**

(75) Inventor: **Edgar F. Trombly**, Grosse Pointe Farms, MI (US)

(73) Assignee: **Punch Products USA, Inc.**, Rahway, NJ (US)

(\*\*) Term: **14 Years**

(21) Appl. No.: **29/161,792**

(22) Filed: **Jun. 3, 2002**

(51) **LOC (7) Cl.** ..... **07-01**

(52) **U.S. Cl.** ..... **D7/392.1**

(58) **Field of Search** ..... D7/391, 392.1,  
D7/396.2, 509-511, 538-542, 629, 612-615;  
D9/424-432, 434, 435, 443, 452, 454;  
220/780-795, 796-806, 703, 710.5, 740

(56) **References Cited**

**U.S. PATENT DOCUMENTS**

- D374,623 S \* 10/1996 Rafferty ..... D9/443
- D394,184 S \* 5/1998 Demore ..... D7/391
- D407,597 S \* 4/1999 Koziol ..... D7/510 X
- D431,412 S \* 10/2000 Trombly ..... D7/392.1

**OTHER PUBLICATIONS**

Photocopies of mug lid distributed by Punch Products USA, Inc. of Rahway, New Jersey (8 photos provided).  
Photocopies of mug lid distributed by Betras Plastics, Inc. of Spartanburg, South Carolina (8 photos provided).

Photocopies of mug lid distributed by Williams Industries Inc. of Shelbyville, Indiana (8 photos provided).

Copy of drawings from U.S. Design Patent Application Ser. No. 29/154,879. Assignee of that application is Punch Products USA, Inc.

\* cited by examiner

*Primary Examiner*—Terry A. Wallace

(74) *Attorney, Agent, or Firm*—Pennie & Edmonds LLP

(57) **CLAIM**

The ornamental design for a container lid, as shown and described.

**DESCRIPTION**

FIG. 1 is a perspective view of a container lid according to the present invention, with a container shown in broken lines, and therefore, not constituting part of the claimed design;

FIG. 2 is a front view thereof;

FIG. 3 is a top view thereof;

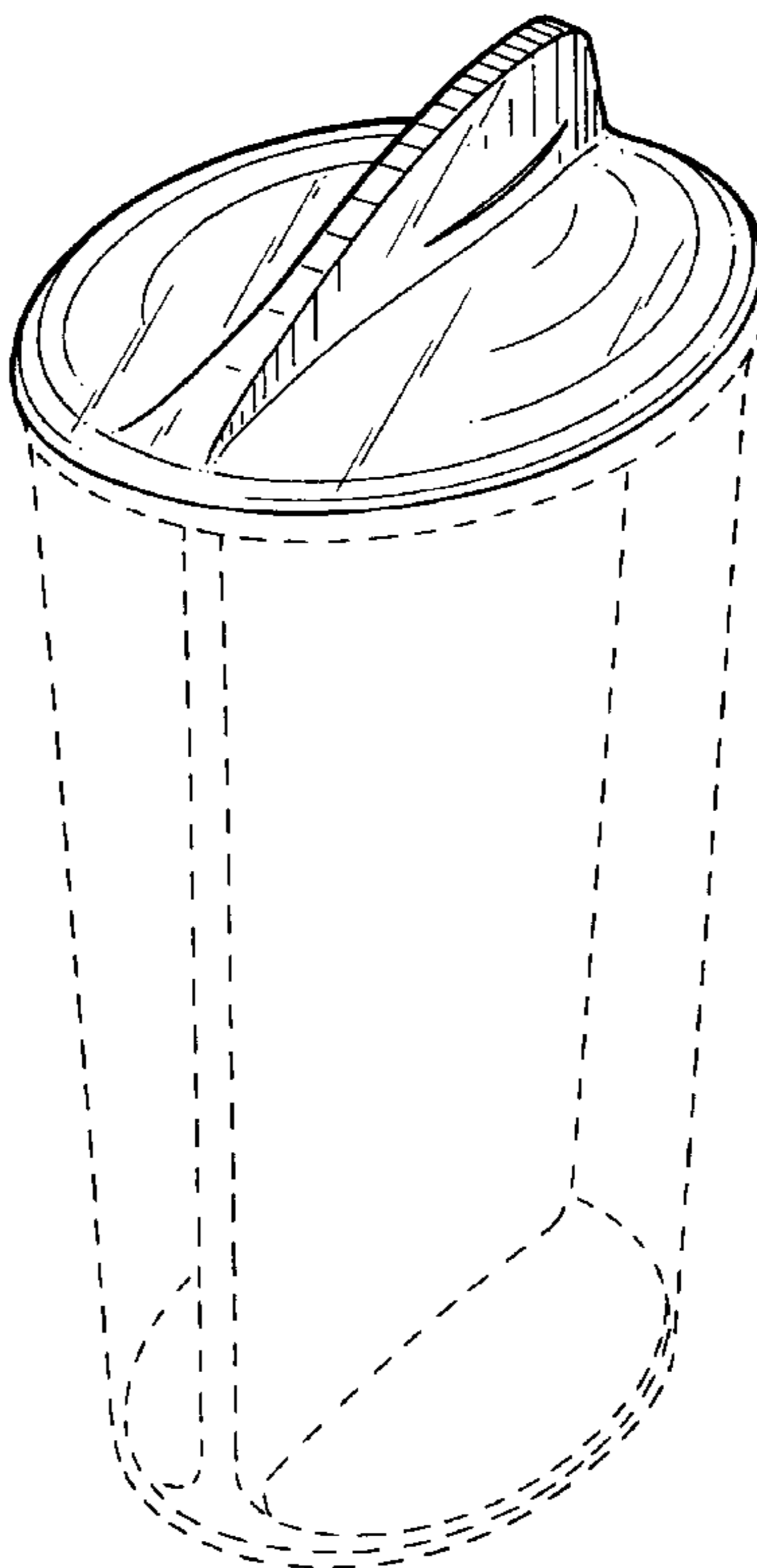
FIG. 4 is a rear view thereof;

FIG. 5 is a right side view thereof; and,

FIG. 6 is a left view thereof.

All broken lines in the above figures are for illustrative purposes only and form no part of the claimed design.

**1 Claim, 6 Drawing Sheets**



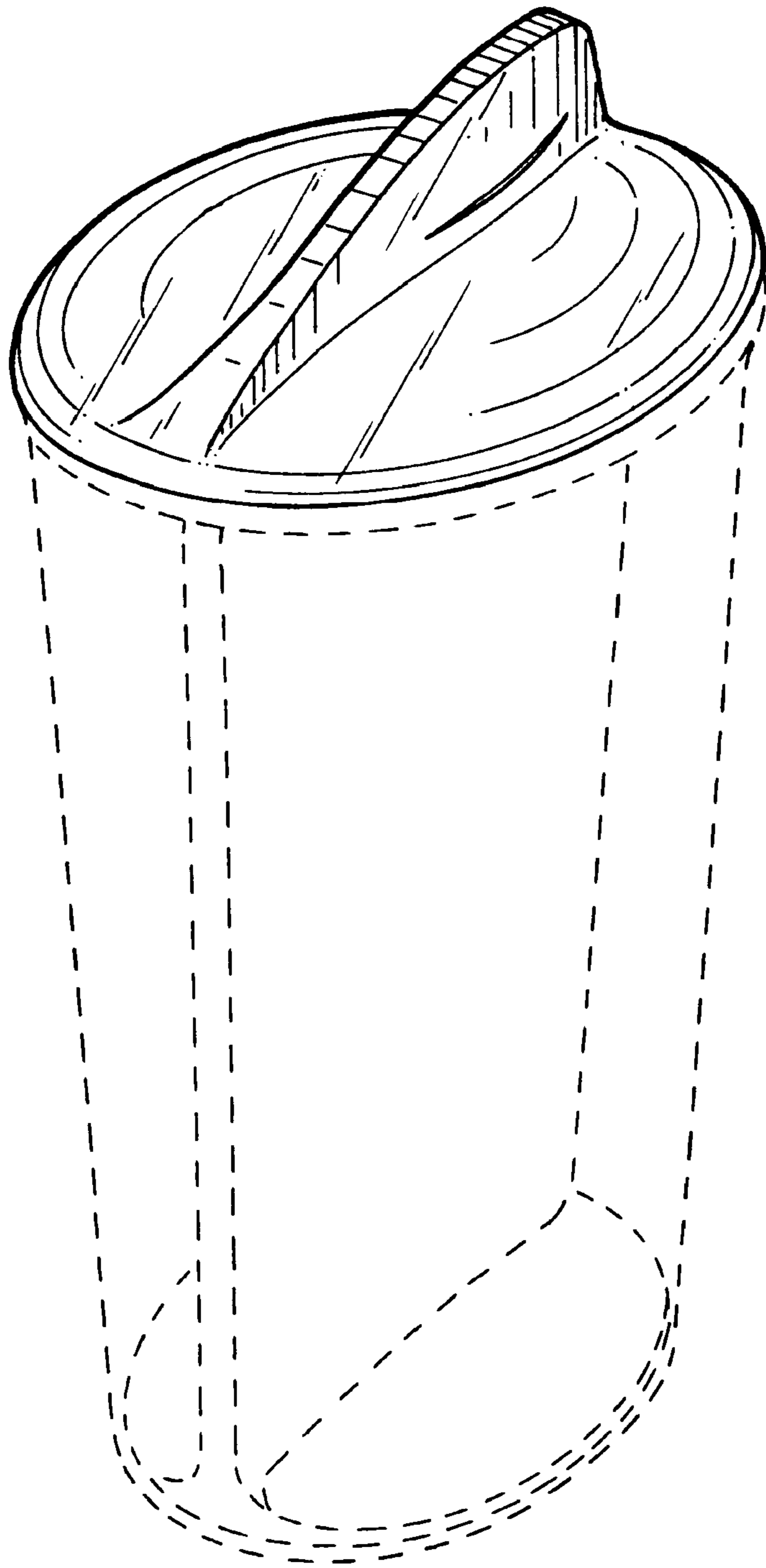


FIG. 1

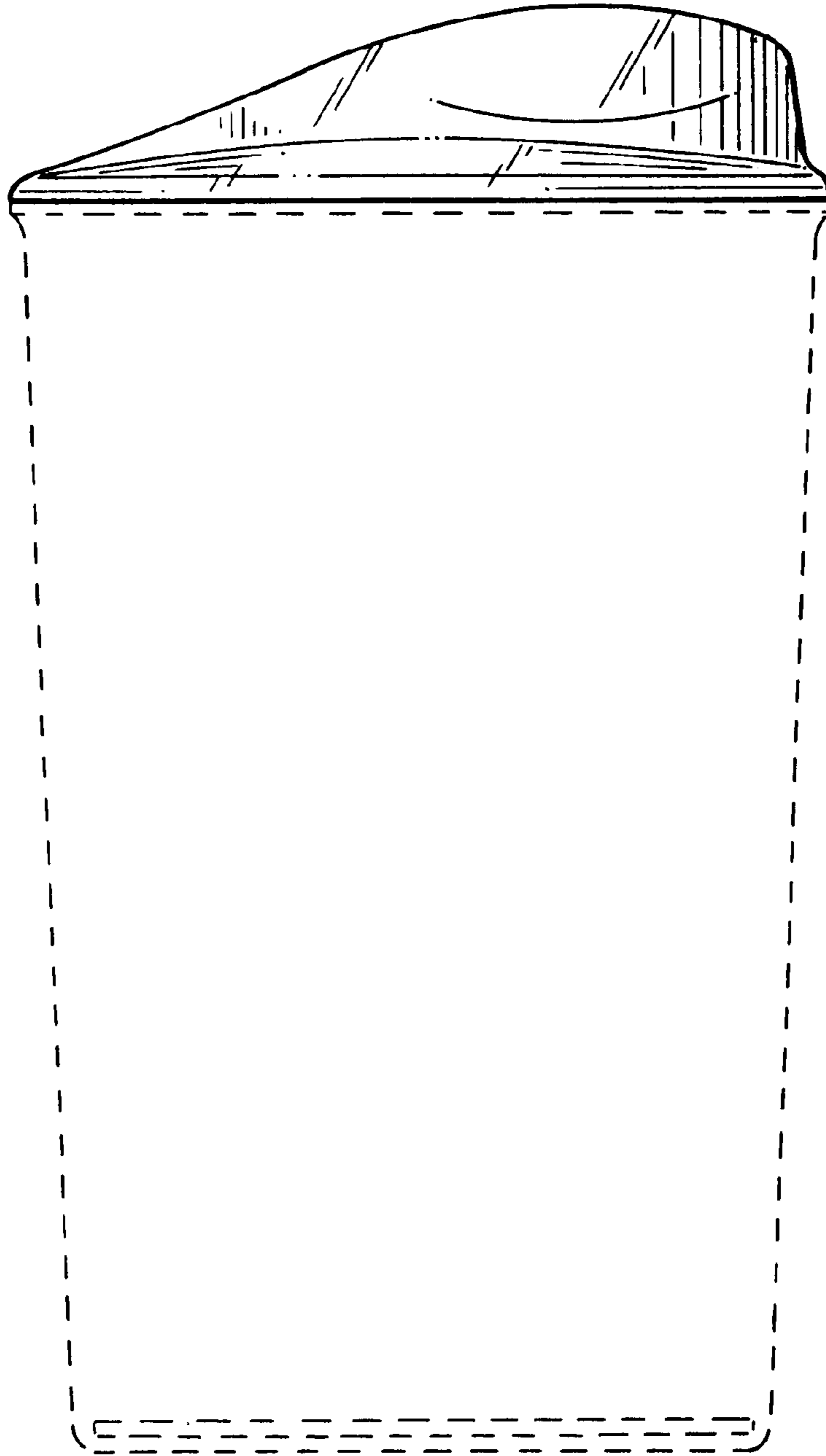


FIG. 2

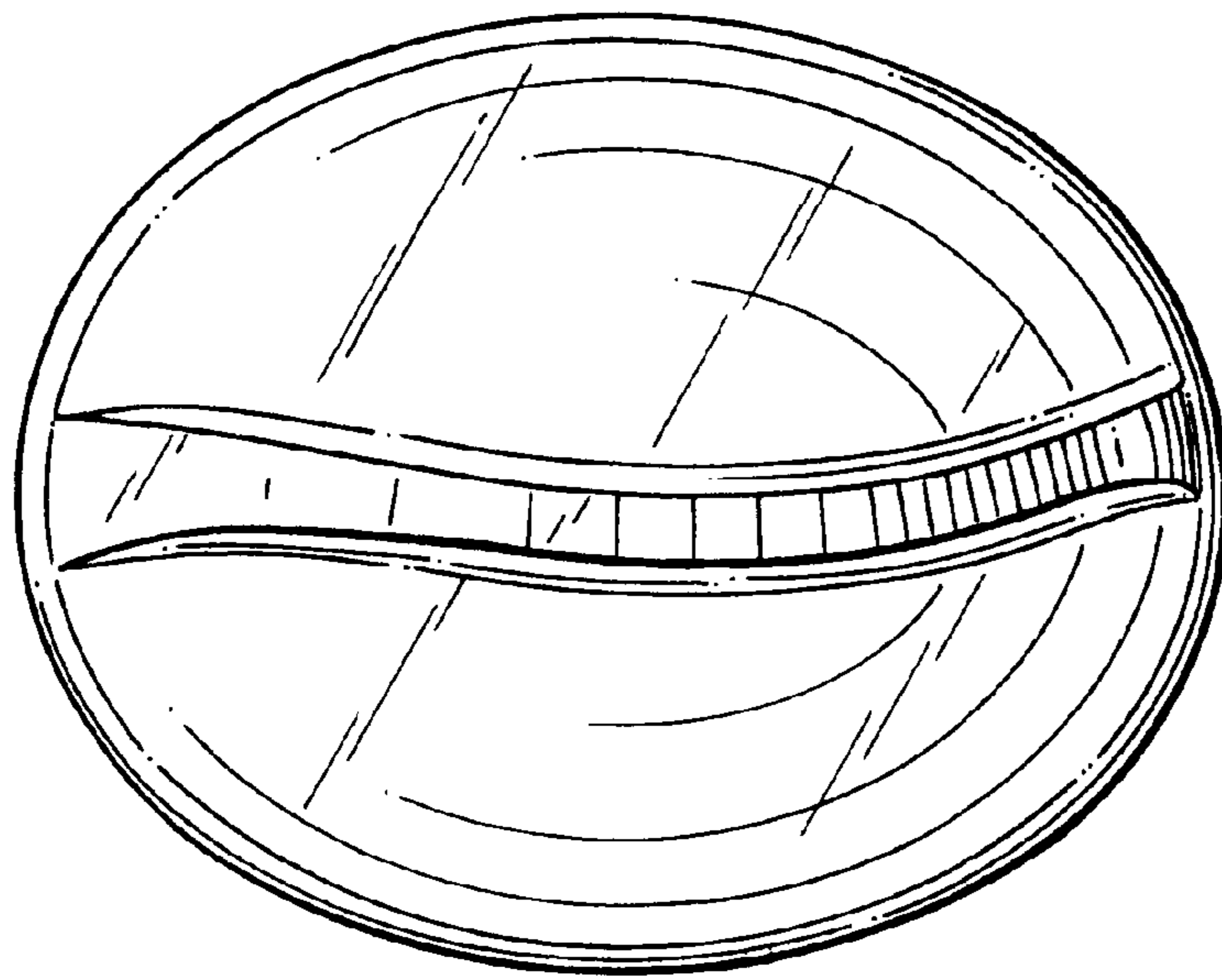


FIG. 3

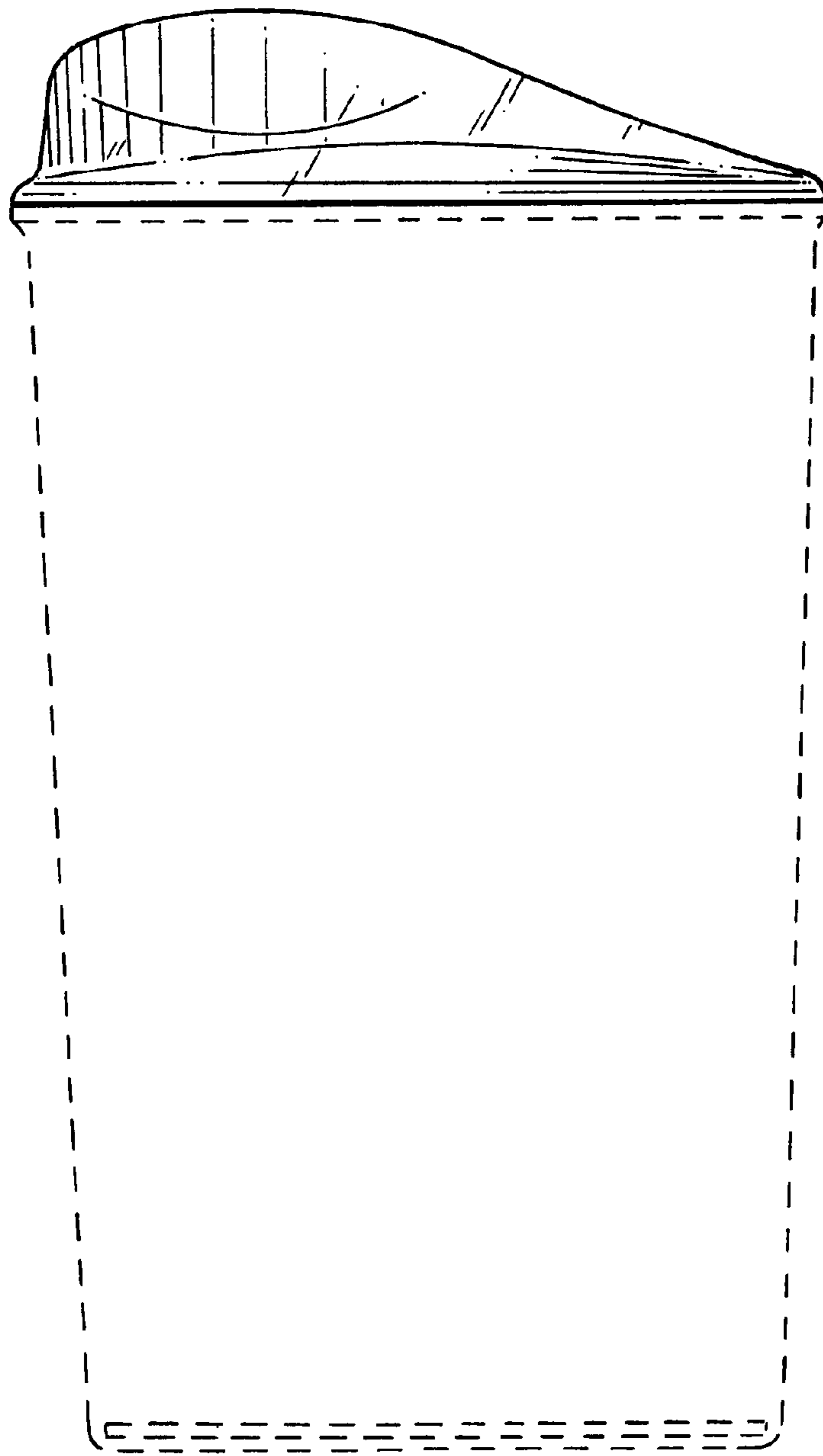


FIG. 4

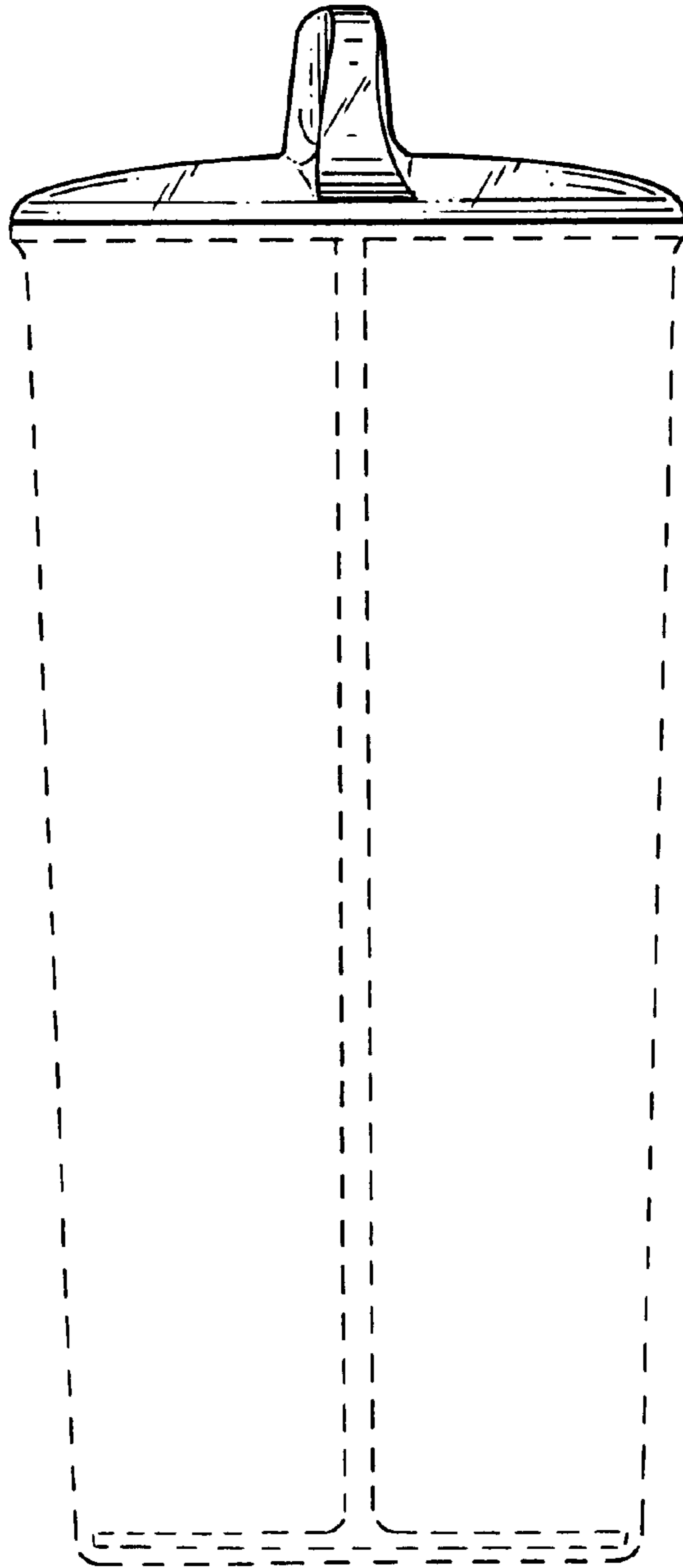


FIG. 5

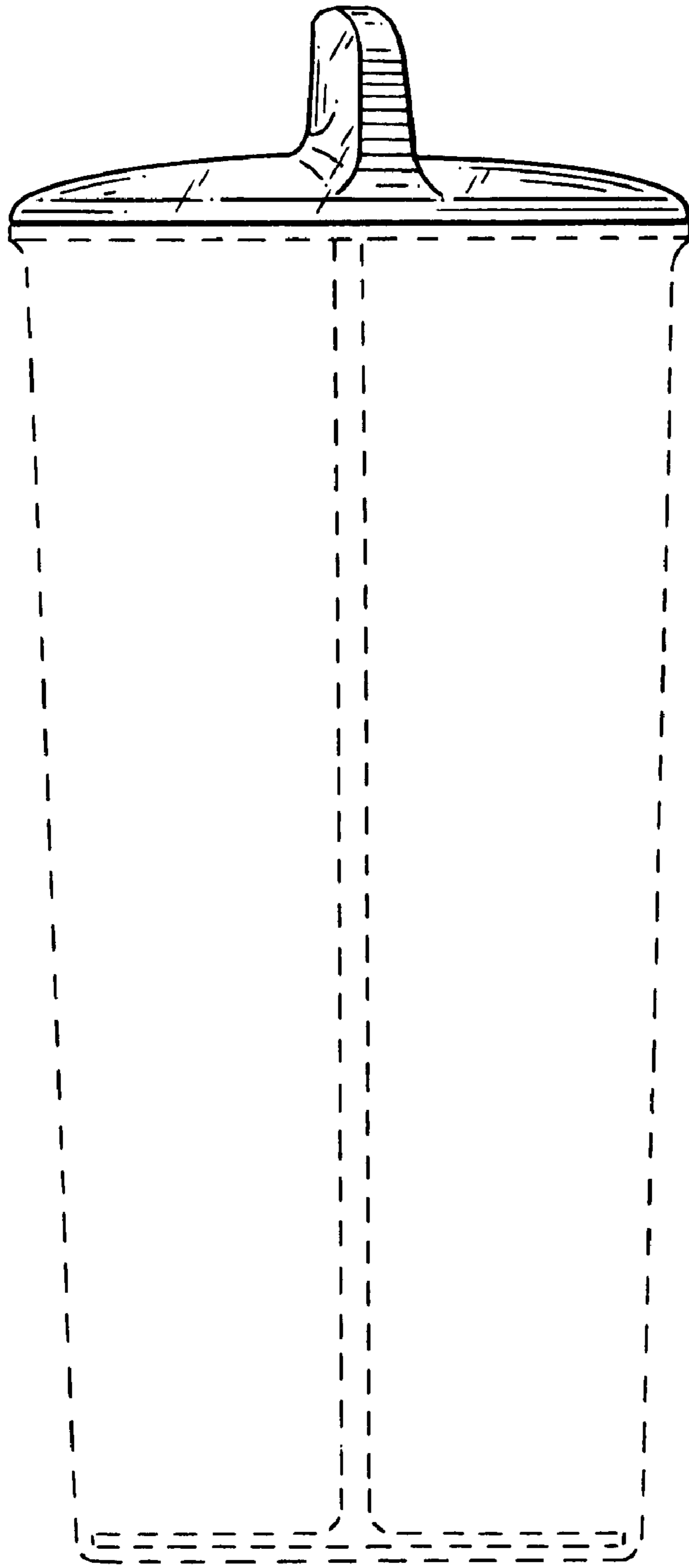


FIG. 6