



US00D475239S

(12) **United States Design Patent**  
**Claypool**

(10) **Patent No.:** **US D475,239 S**

(45) **Date of Patent:** **\*\* Jun. 3, 2003**

(54) **COVER FOR CONTAINER**

(75) **Inventor:** **Christopher J. Claypool**, Orlando, FL (US)

(73) **Assignee:** **Dart Industries Inc.**, Orlando, FL (US)

(\*\*) **Term:** **14 Years**

(21) **Appl. No.:** **29/161,177**

(22) **Filed:** **May 22, 2002**

(51) **LOC (7) Cl.** ..... **07-01**

(52) **U.S. Cl.** ..... **D7/392.1**

(58) **Field of Search** ..... D7/391, 392.1, D7/538-542, 612-615, 629; 220/780-795, 309.1, 367.1, 376, 377; D9/434-436, 444, 446, 447, 449, 454

(56) **References Cited**

**U.S. PATENT DOCUMENTS**

- D188,553 S 8/1960 Tupper
- 3,511,288 A 5/1970 Swett
- D232,511 S \* 8/1974 Heiser et al. .... D7/391
- D241,600 S 9/1976 Ashton

- D241,703 S 10/1976 Ashton
- D359,905 S 7/1995 Molo
- D360,105 S \* 7/1995 Doxey ..... D7/391
- 5,944,211 A \* 8/1999 Woodnorth et al. .. 220/367.1 X
- D446,117 S \* 8/2001 Conti ..... D9/435

\* cited by examiner

*Primary Examiner*—Terry A. Wallace

(74) *Attorney, Agent, or Firm*—John A. Doninger

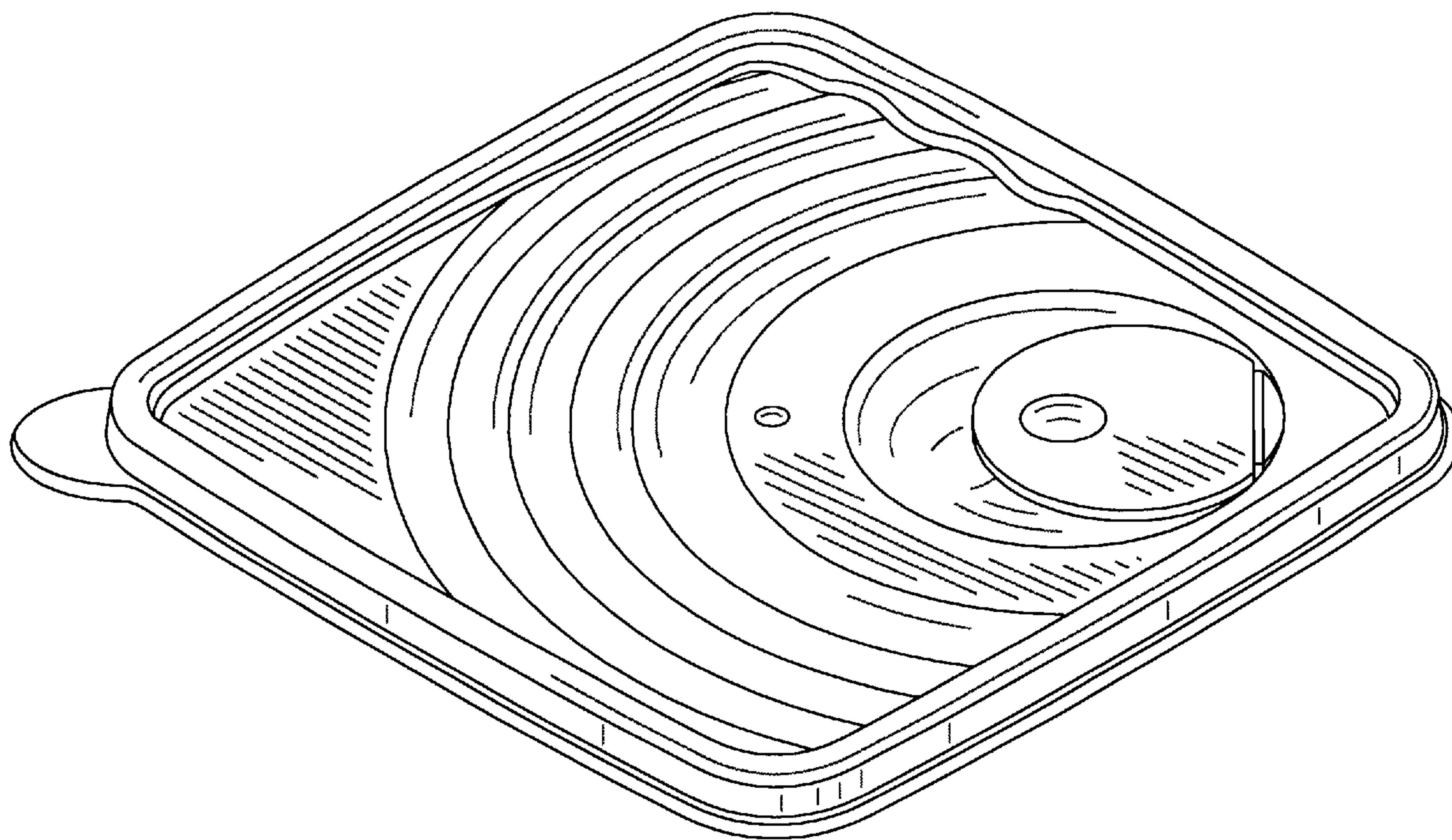
(57) **CLAIM**

The ornamental design for a cover for container, as shown and described.

**DESCRIPTION**

FIG. 1 is a top, side and front perspective view of a cover for a container showing the new design;  
 FIG. 2 is a front elevation view thereof;  
 FIG. 3 is a rear elevation view thereof;  
 FIG. 4 is a right side elevation view thereof;  
 FIG. 5 is a left side elevation view thereof;  
 FIG. 6 is a top plan view thereof; and,  
 FIG. 7 is a bottom plan view thereof.

**1 Claim, 3 Drawing Sheets**



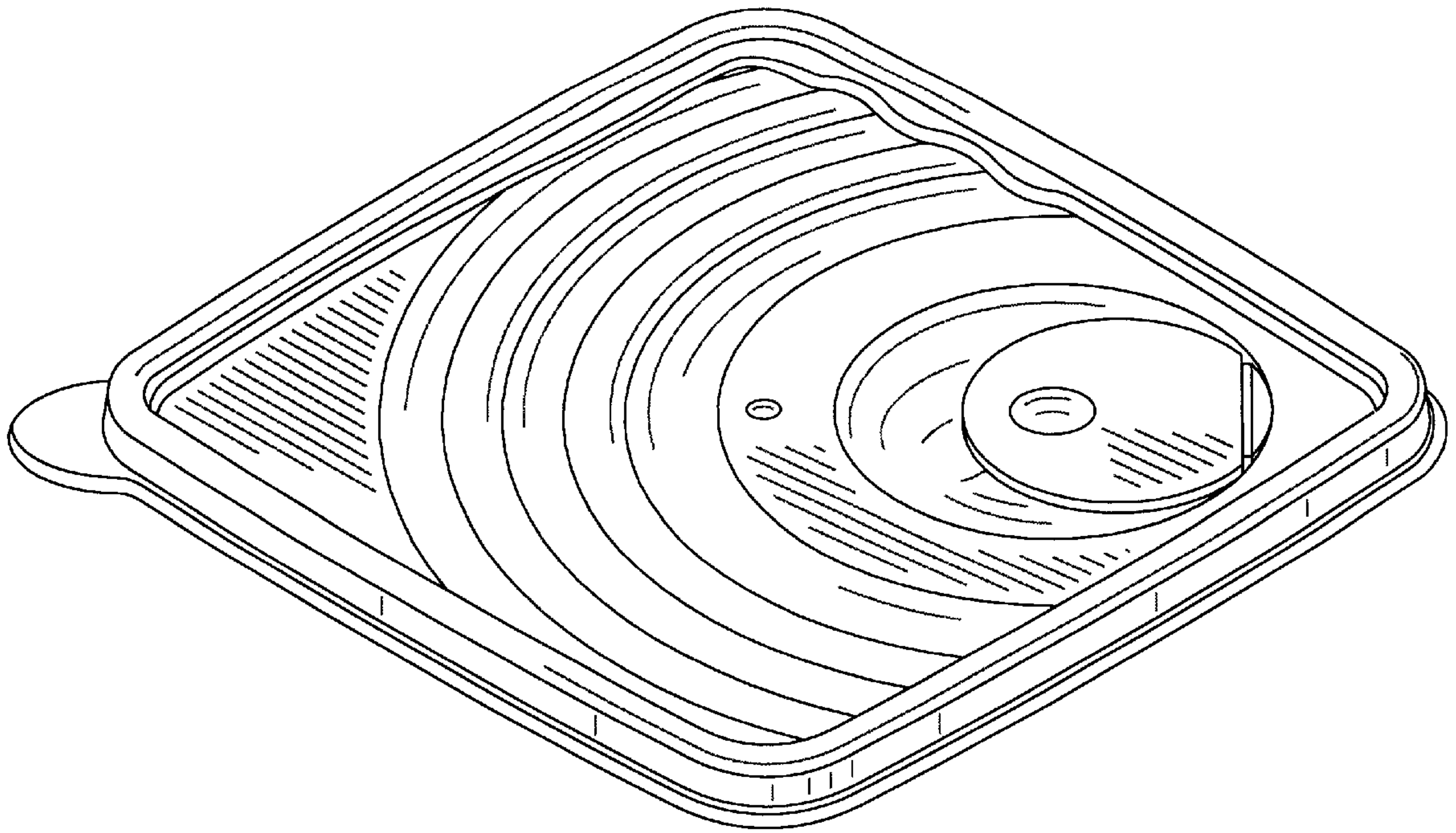


FIG. 1

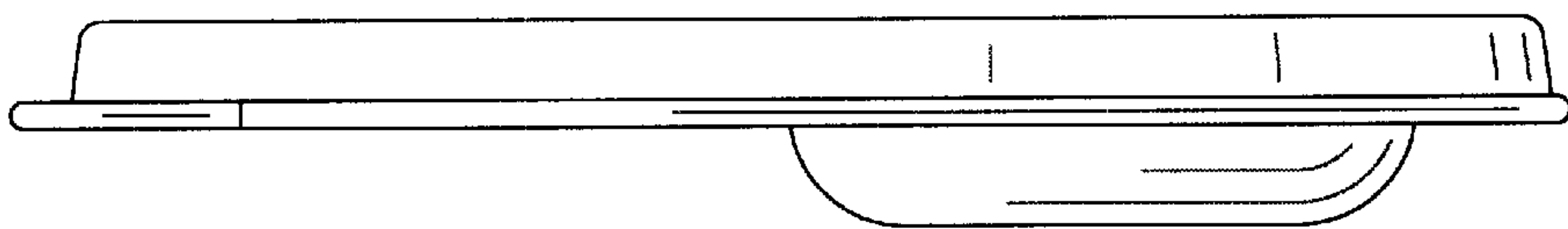


FIG. 2

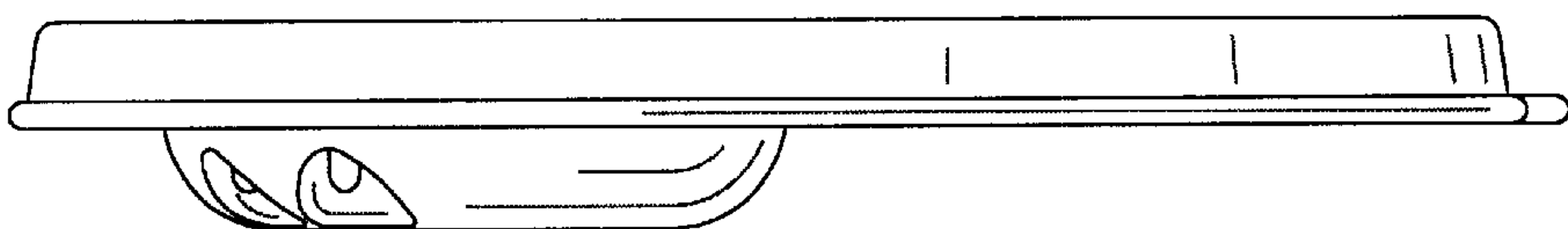
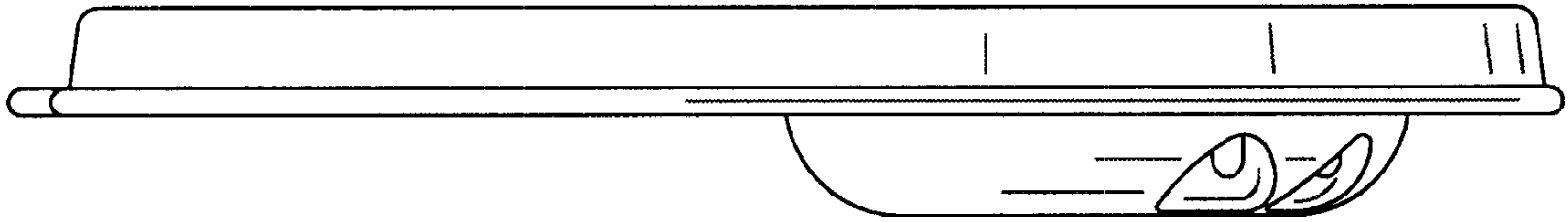
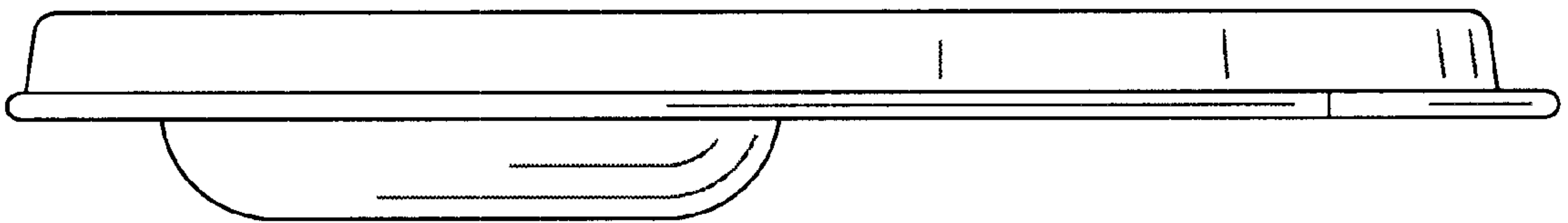


FIG. 3



*FIG. 4*



*FIG. 5*



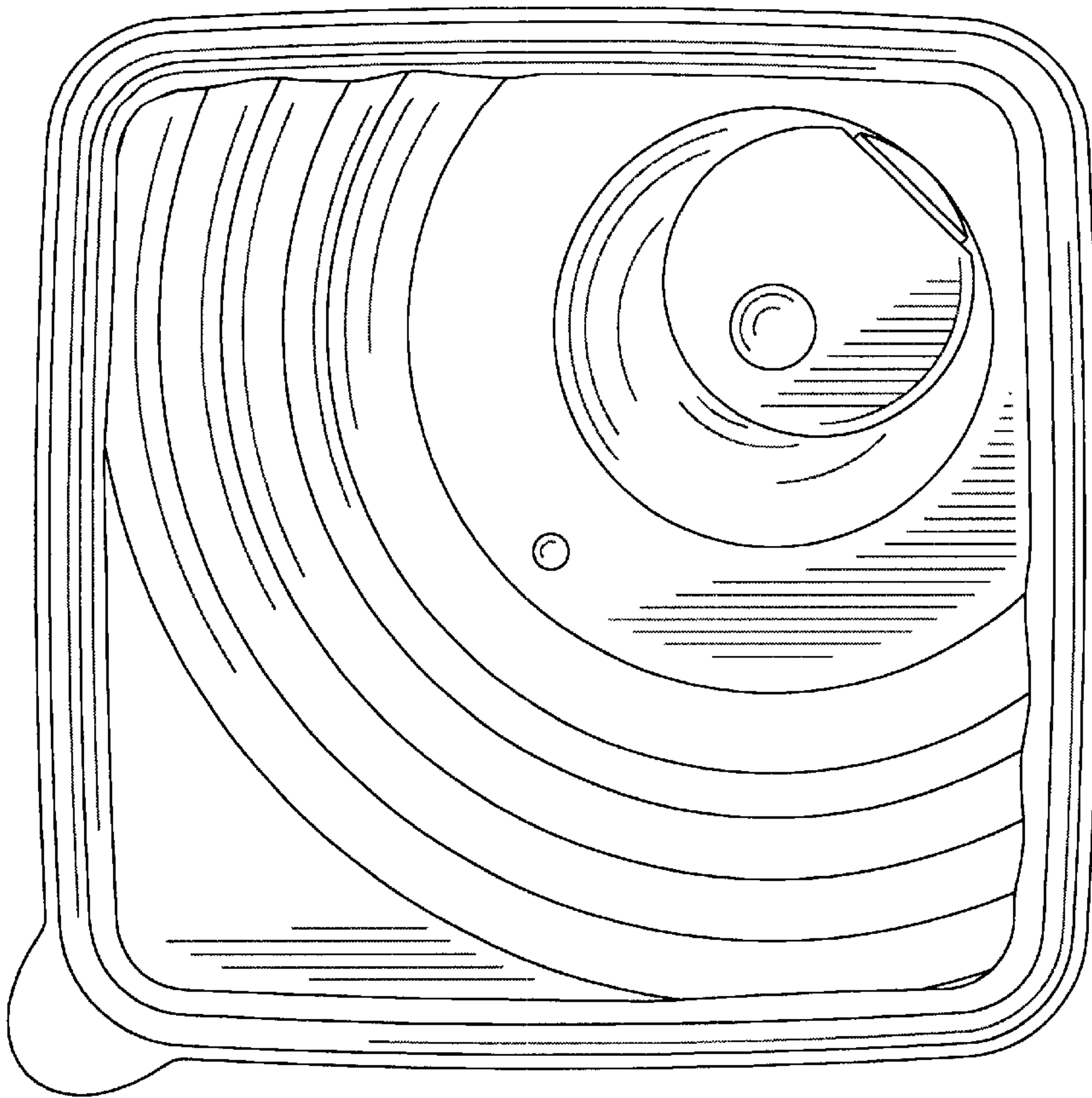


FIG. 6

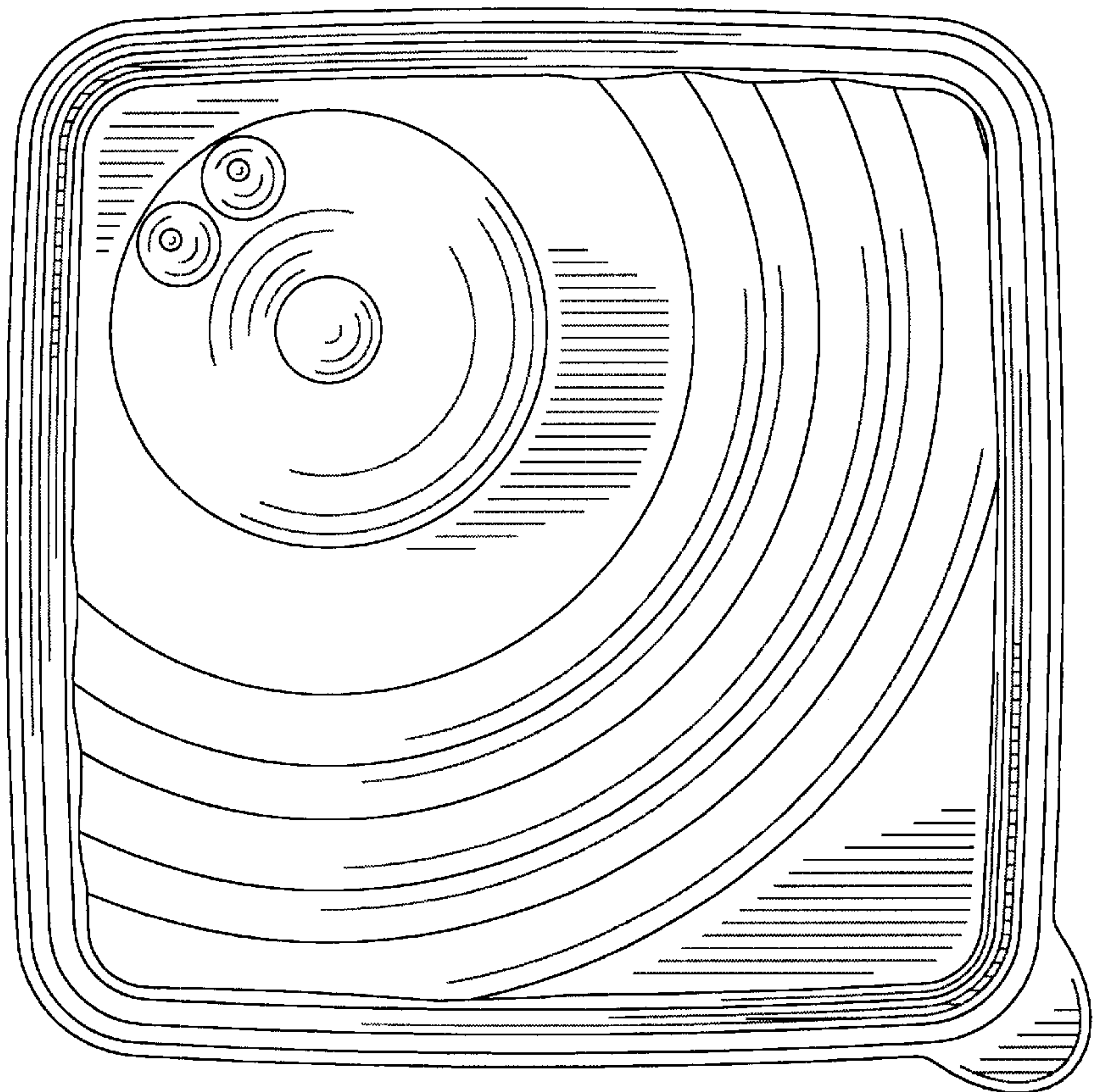


FIG. 7