



US00D475238S

(12) **United States Design Patent**
Feil

(10) **Patent No.:** **US D475,238 S**

(45) **Date of Patent:** **** Jun. 3, 2003**

(54) **KITCHEN APPLIANCE WITH A MIXING ATTACHMENT**

D445,634 S * 7/2001 Feil D7/378

* cited by examiner

(75) Inventor: **Rolf Feil**, Günzberg (DE)

Primary Examiner—Caron D. Veynar

(73) Assignee: **BSH Bosch und Siemens Hausgerate GmbH**, Munich (DE)

(74) *Attorney, Agent, or Firm*—Laurence A. Greenberg; Werner H. Stemer; Ralph E. Locher

(**) Term: **14 Years**

(57) **CLAIM**

(21) Appl. No.: **29/143,272**

The ornamental design for a kitchen appliance with a mixing attachment, as shown and described.

(22) Filed: **Jun. 11, 2001**

DESCRIPTION

Related U.S. Application Data

(62) Division of application No. 29/109,555, filed on Aug. 17, 1999, now Pat. No. Des. 445,634.

FIG. 1 is a left side, front, top perspective view showing the kitchen appliance with a mixing attachment, the broken line showing of display elements and the mixer within the attachment are for illustrative purposes only and form no part of the claimed design;

(30) **Foreign Application Priority Data**

Feb. 19, 1999 (DE) 4 99 01 879

FIG. 2 is a left side, front, top perspective view showing the kitchen appliance with no attachment for ease of illustration, the broken line showing of the display elements are for illustrative purposes only and form no part of the claimed design; and,

(51) **LOC (7) Cl.** **31-00**

(52) **U.S. Cl.** **D7/376**

(58) **Field of Search** D7/376-386; 99/509, 99/510, 511; 366/64, 68, 197; 241/33, 37.5, 101.01, 285.2

FIG. 3 is an enlarged partial front perspective view showing the kitchen appliance with no attachments, the display elements, which are shown in phantom, do not form part of the invention.

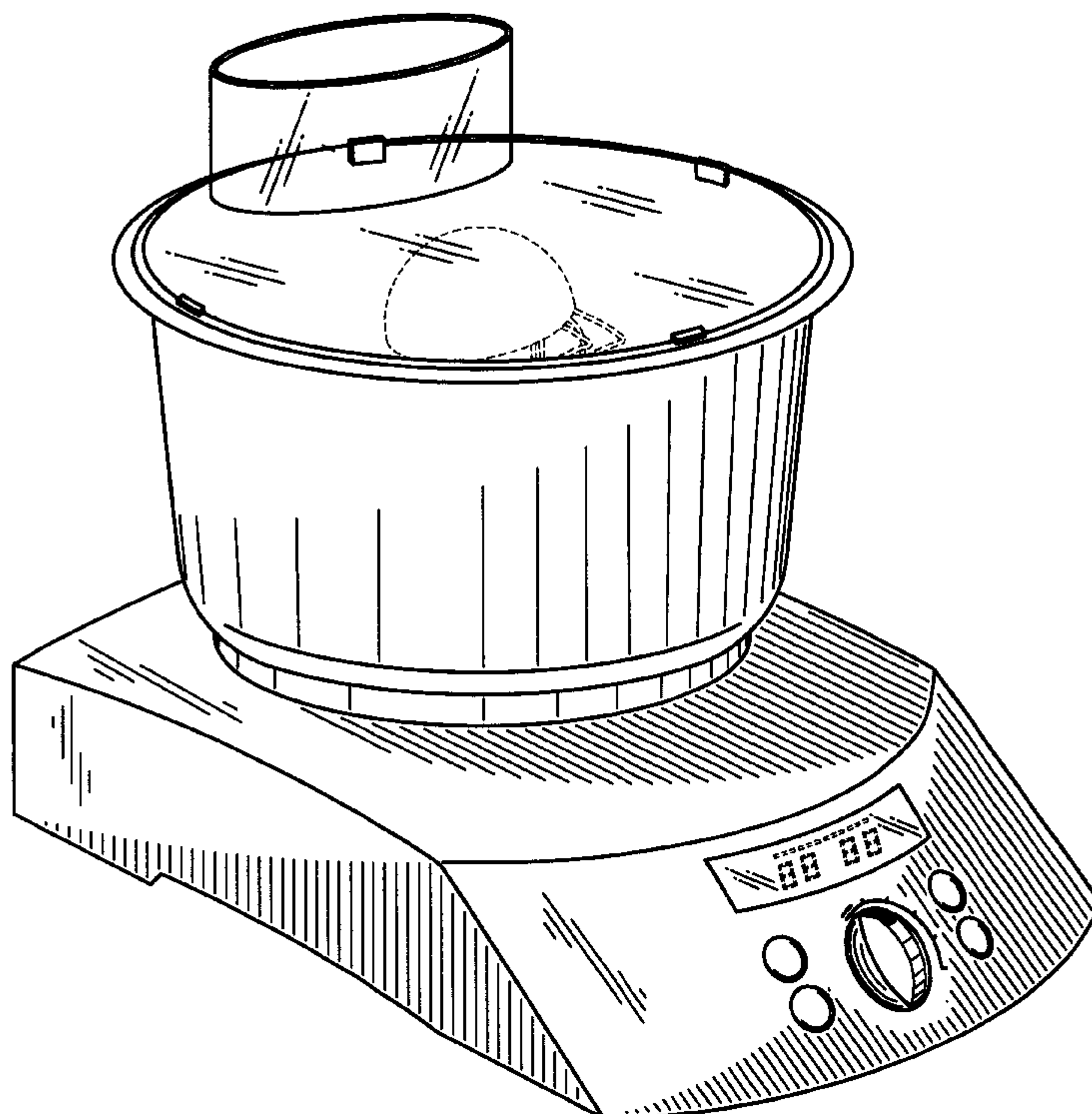
(56) **References Cited**

U.S. PATENT DOCUMENTS

- D259,133 S * 5/1981 Klawitter D21/525
- D383,642 S * 9/1997 Feil D7/376
- D385,149 S * 10/1997 Feil D7/378
- D389,696 S * 1/1998 Feil D7/386

The underside of the kitchen appliance is plain and unornamented. The underside of the attachment is designed to fit snugly on top of the kitchen appliance and is plain and unornamented.

1 Claim, 3 Drawing Sheets



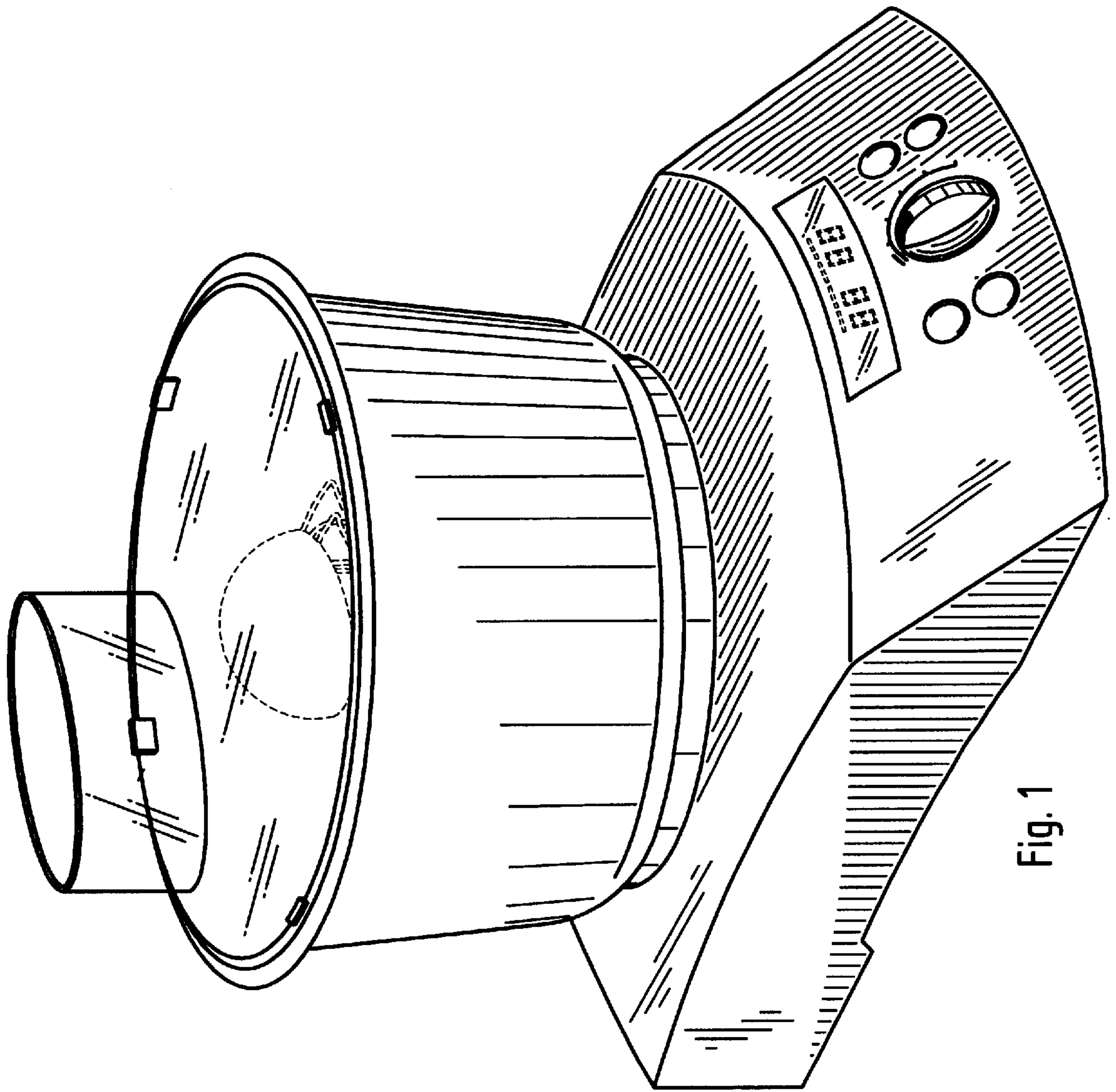


Fig. 1

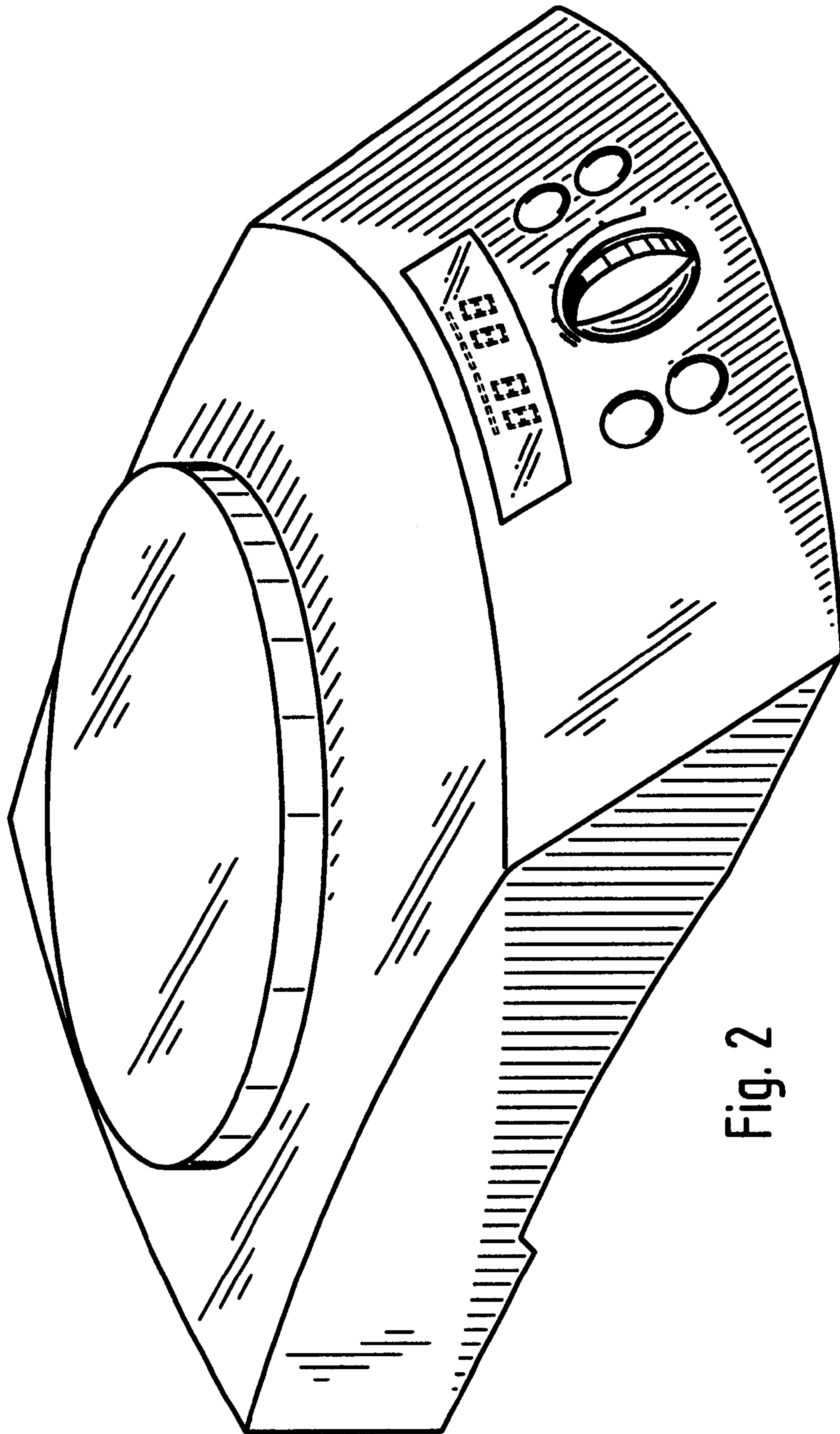


Fig. 2

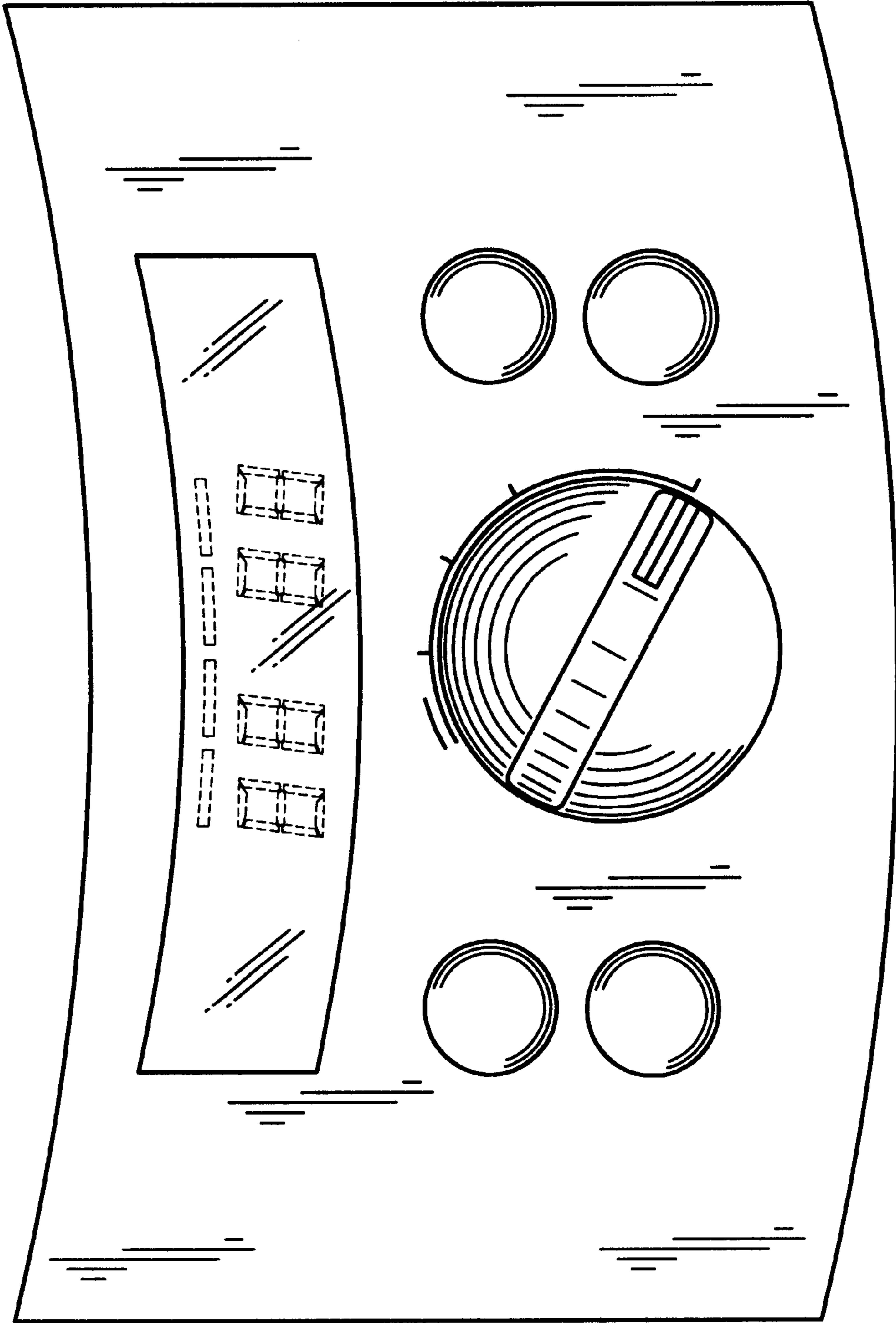


Fig. 3