



US00D475237S

(12) **United States Design Patent**
Lin

(10) **Patent No.:** **US D475,237 S**

(45) **Date of Patent:** **** Jun. 3, 2003**

(54) **STEAM GRILL**

D464,230 S * 10/2002 Wu D7/352

(75) Inventor: **Yu-Yuan Lin**, Tainan (TW)

* cited by examiner

(73) Assignee: **Uni-Splendor Corp.**, Tainan (TW)

Primary Examiner—Caron D. Veynar
(74) *Attorney, Agent, or Firm*—Alan Kamrath; Rider, Bennett, Egan & Arundel, LLP

(**) Term: **14 Years**

(57) **CLAIM**

(21) Appl. No.: **29/166,330**

The ornamental design for a steam grill, as shown and described.

(22) Filed: **Aug. 26, 2002**

(51) **LOC (7) Cl.** **07-02**

DESCRIPTION

(52) **U.S. Cl.** **D7/352**

FIG. 1 is a perspective view of a steam grill showing my new design;

(58) **Field of Search** D7/323, 337, 350,
D7/352, 353, 362; 99/372–379; 219/524,
525

FIG. 2 is a front side elevational view thereof;
FIG. 3 is a rear elevational view thereof;
FIG. 4 is a left side elevational view thereof;
FIG. 5 is a right side elevational view thereof;
FIG. 6 is a top plan view thereof; and,
FIG. 7 is a bottom plan view thereof.

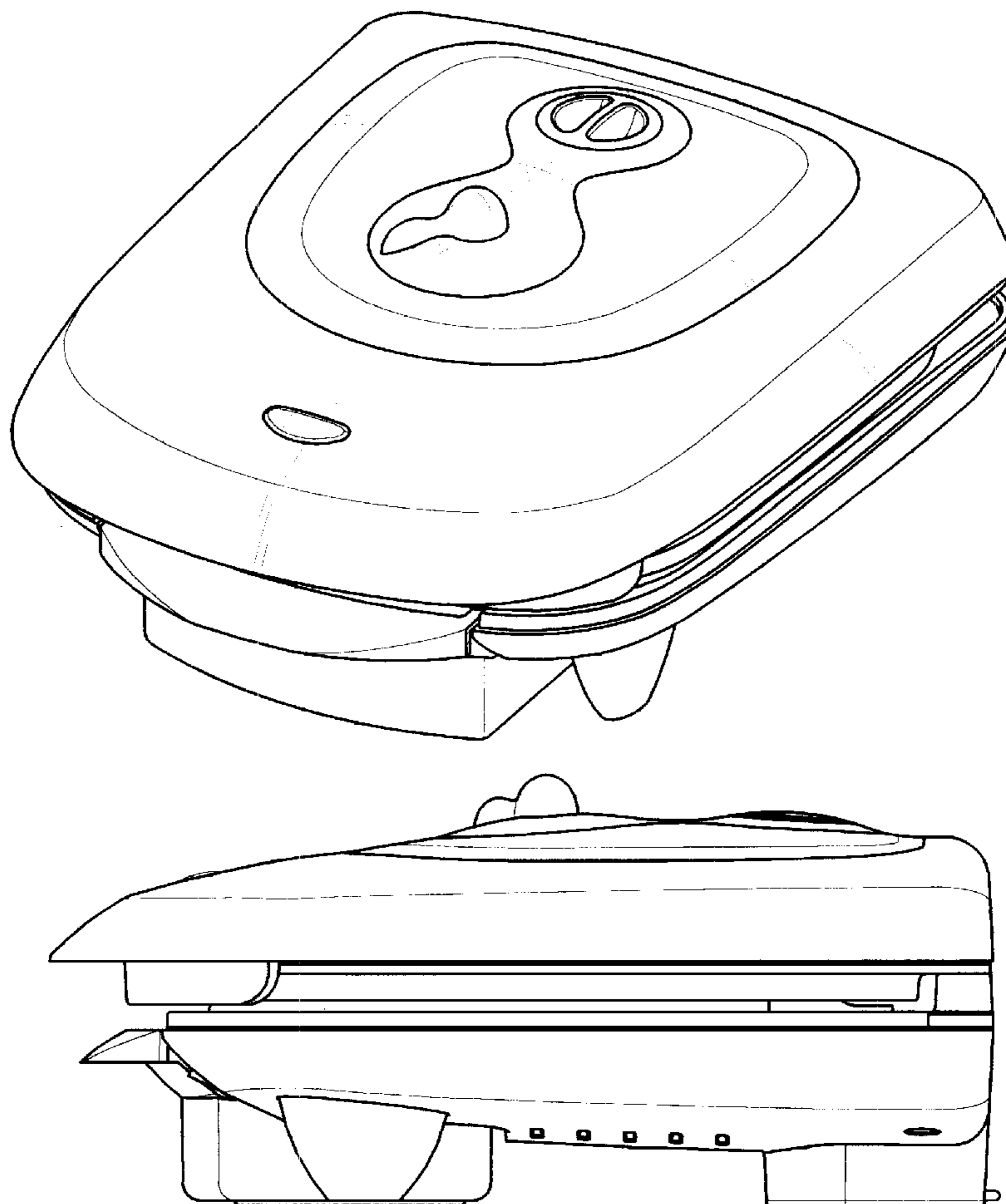
(56) **References Cited**

U.S. PATENT DOCUMENTS

D462,228 S * 9/2002 Wu D7/352

D463,950 S * 10/2002 Wu D7/352

1 Claim, 5 Drawing Sheets



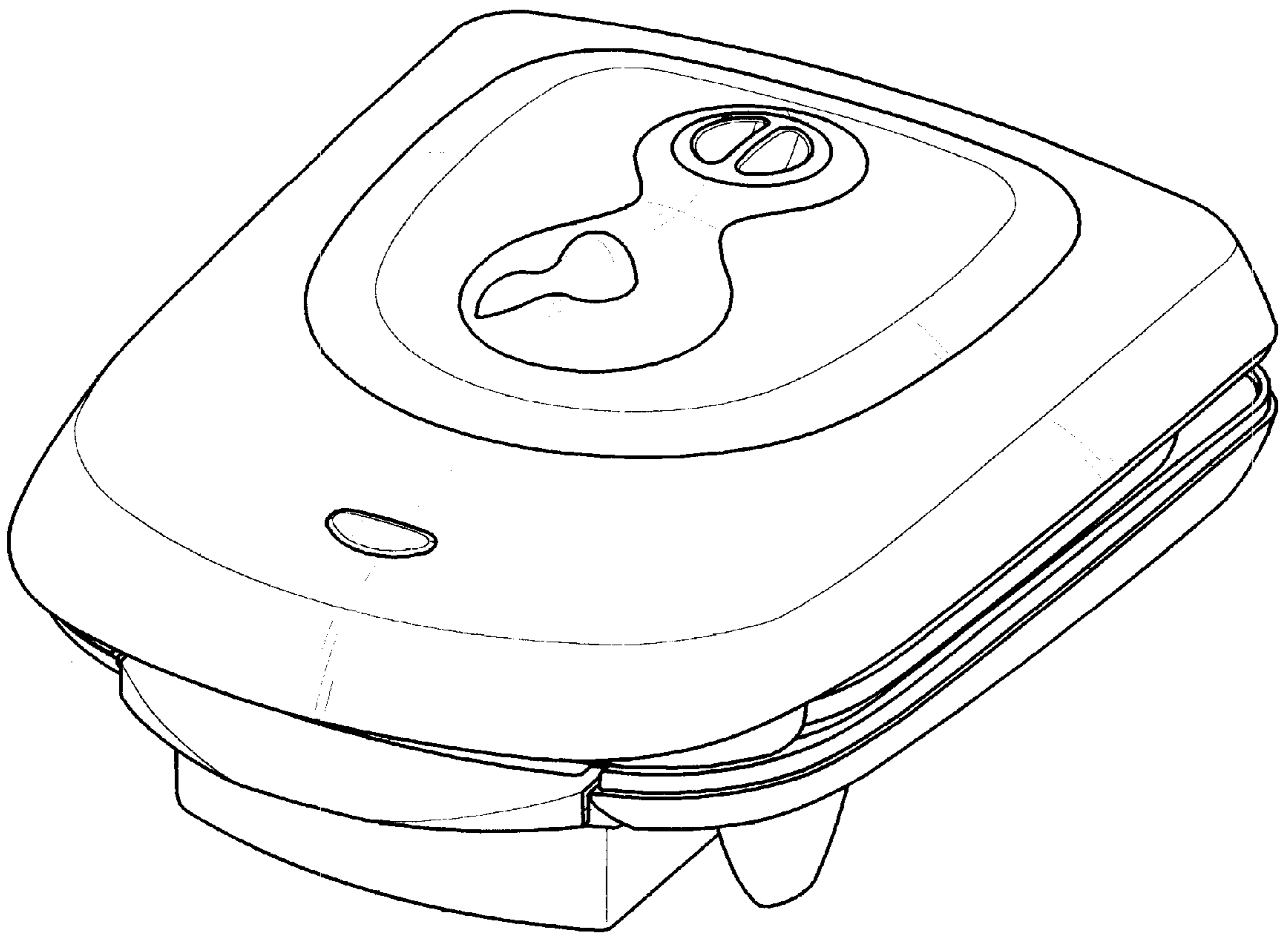


FIG. 1

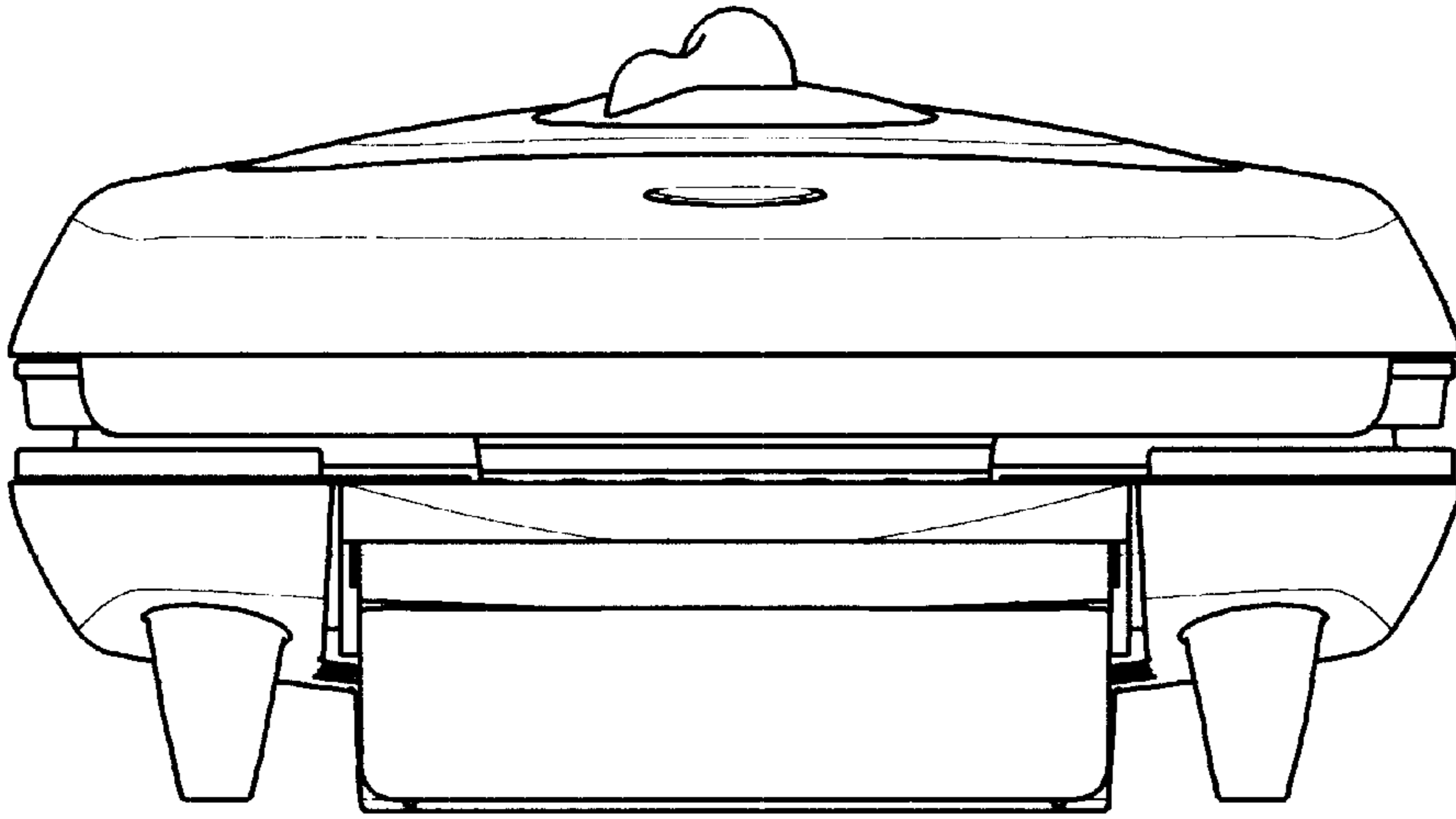


FIG. 2

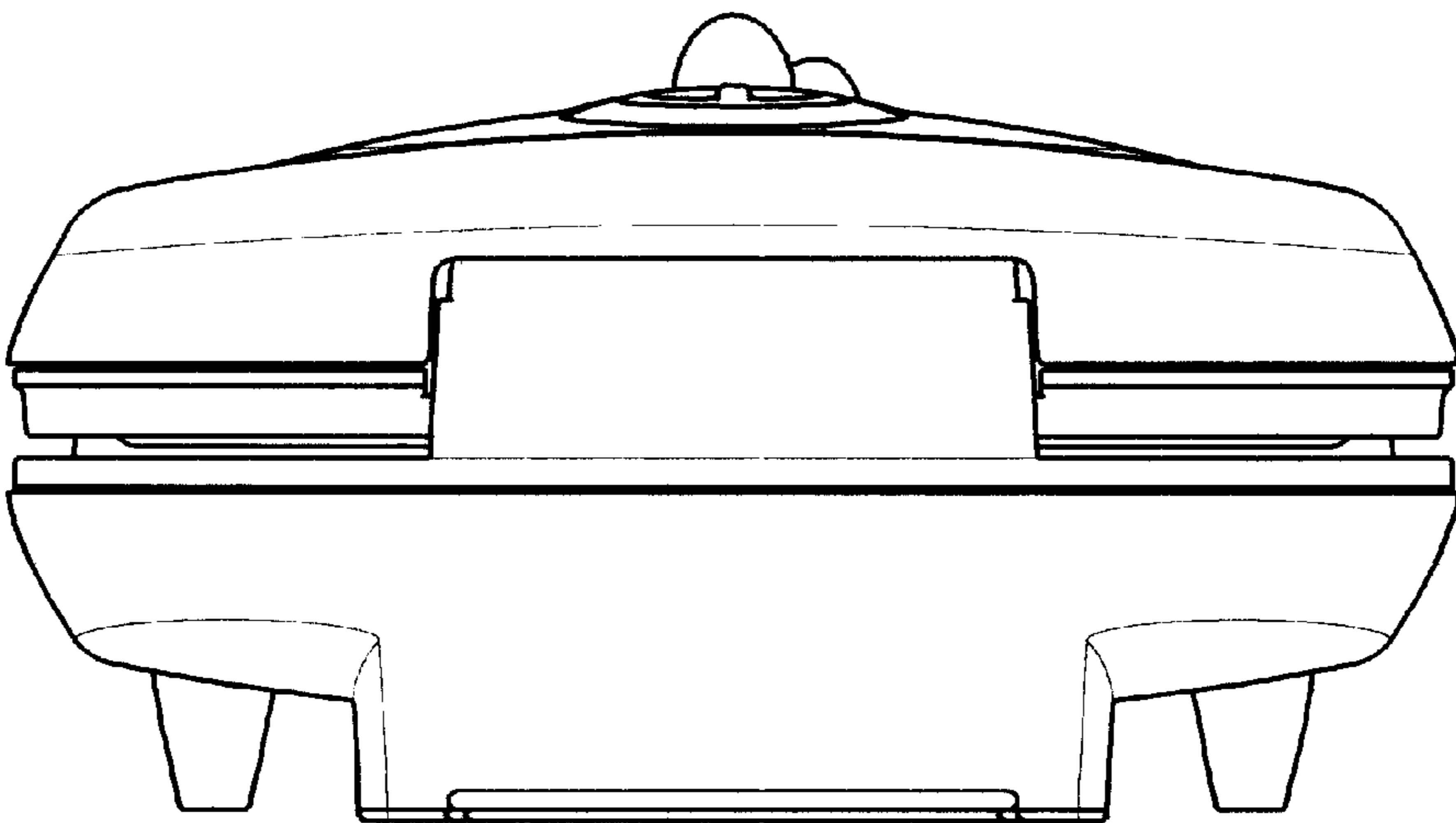


FIG. 3

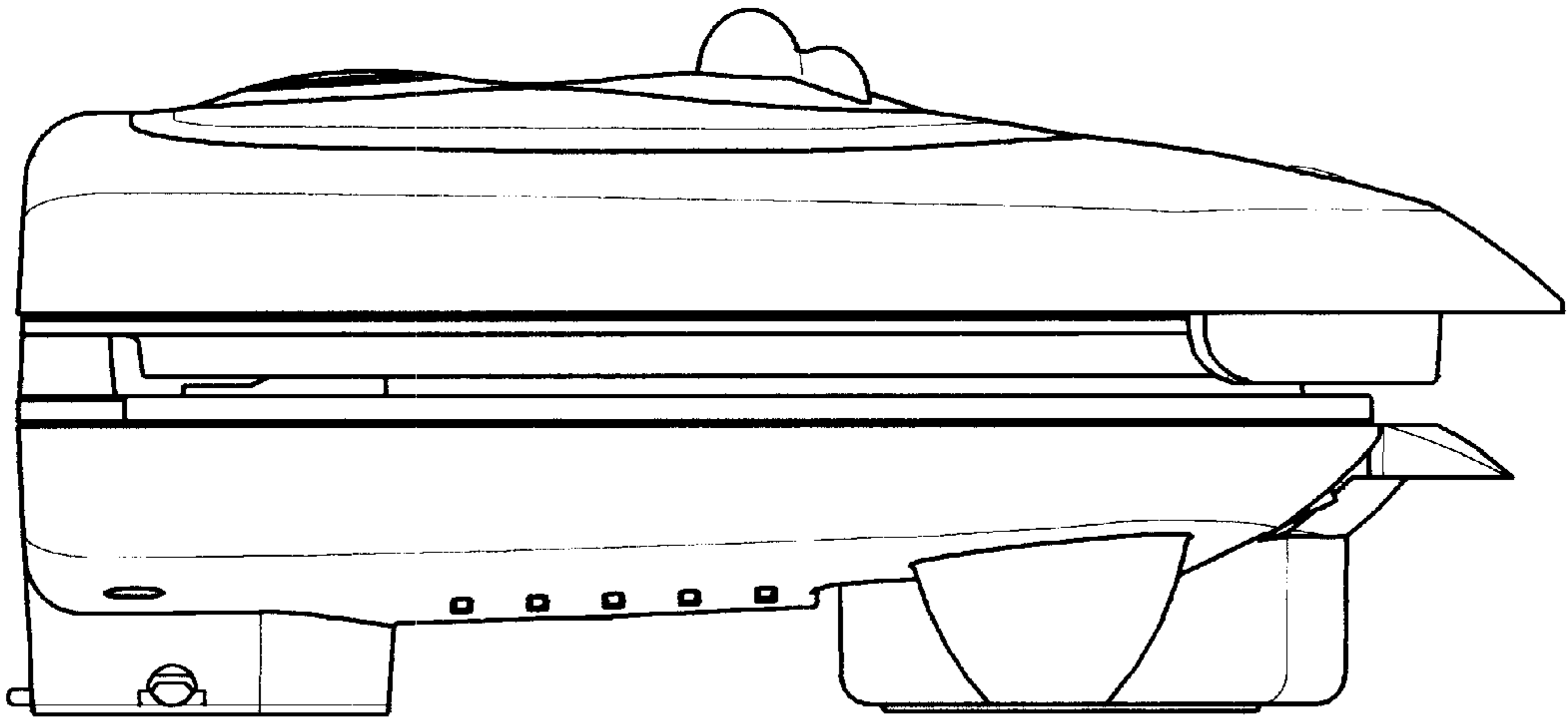


FIG. 4

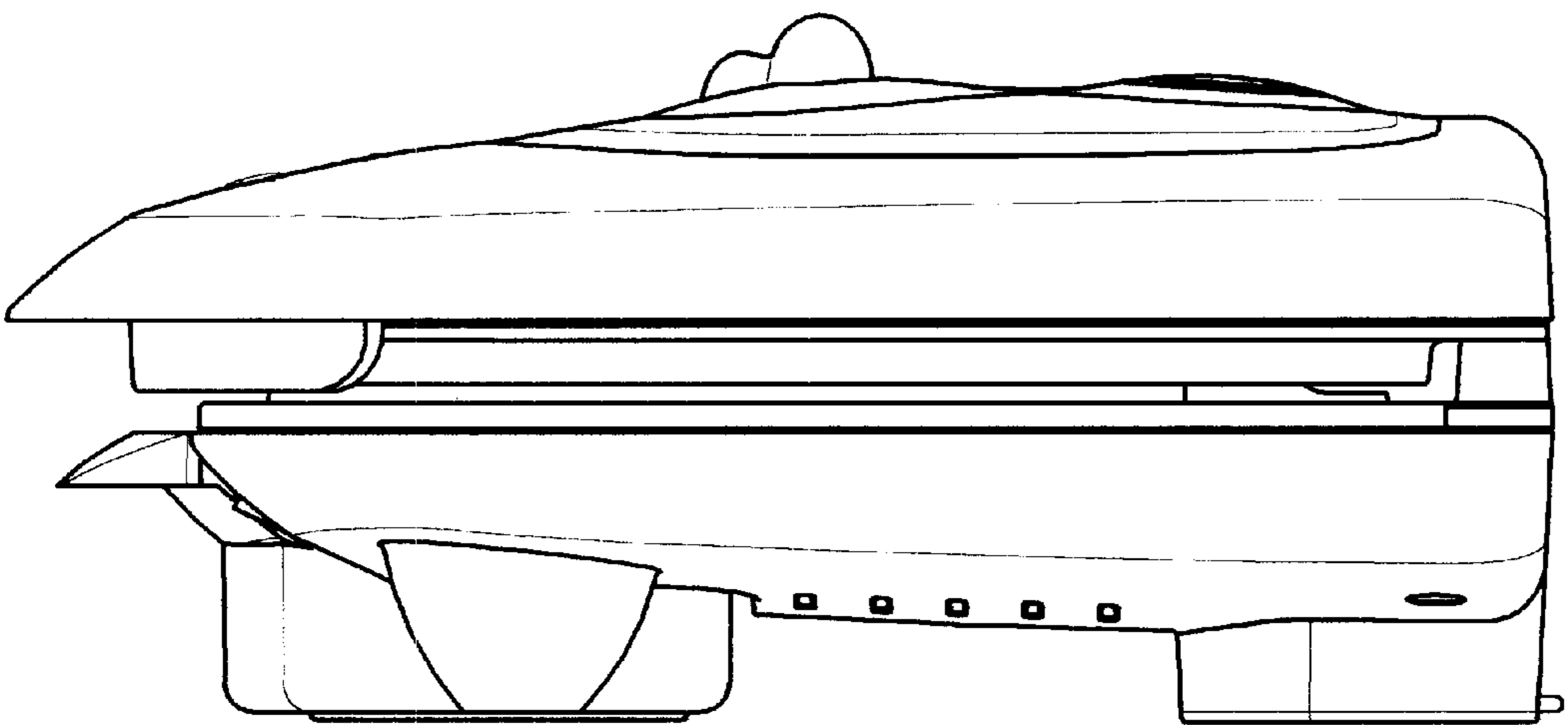


FIG. 5

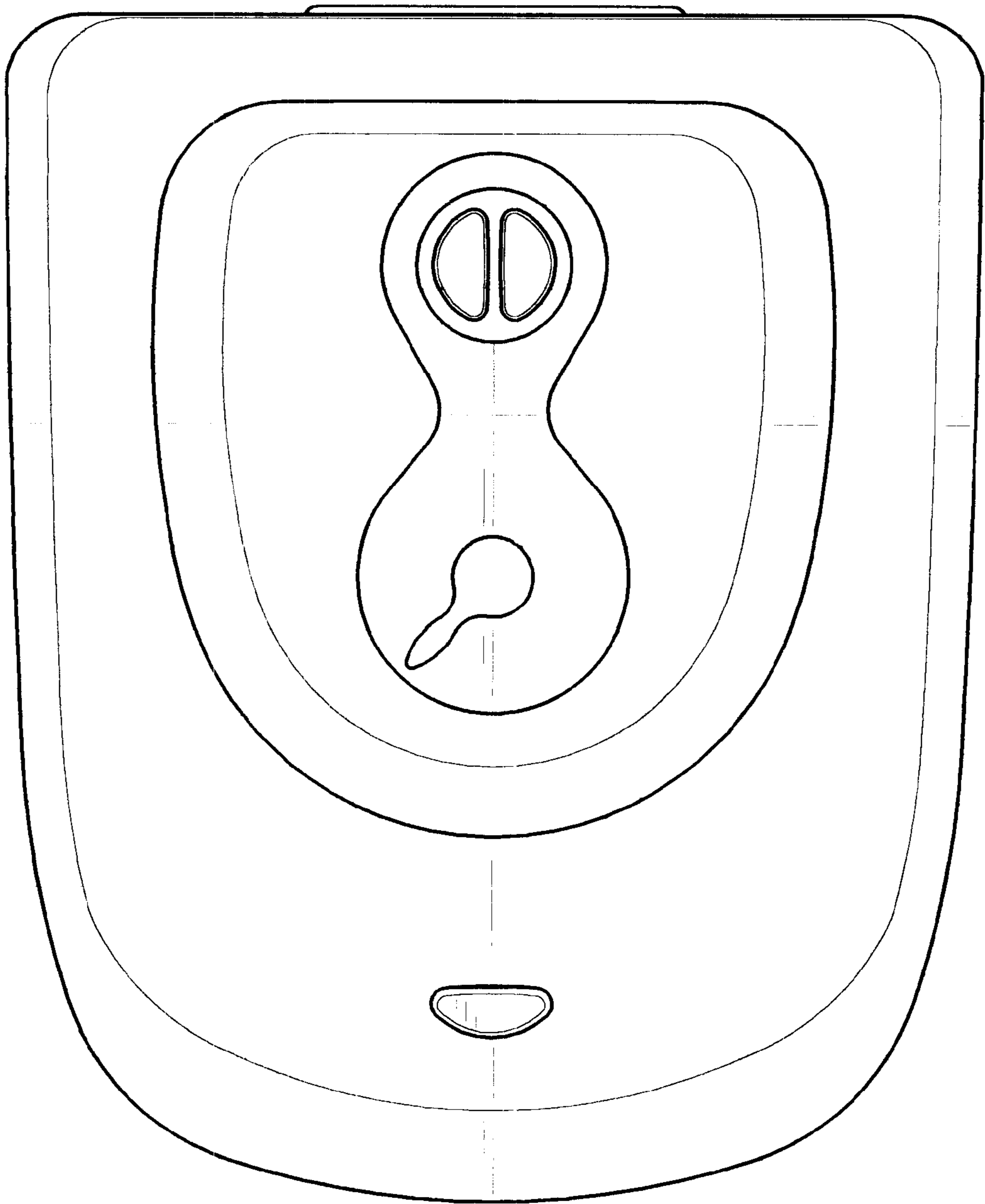


FIG. 6

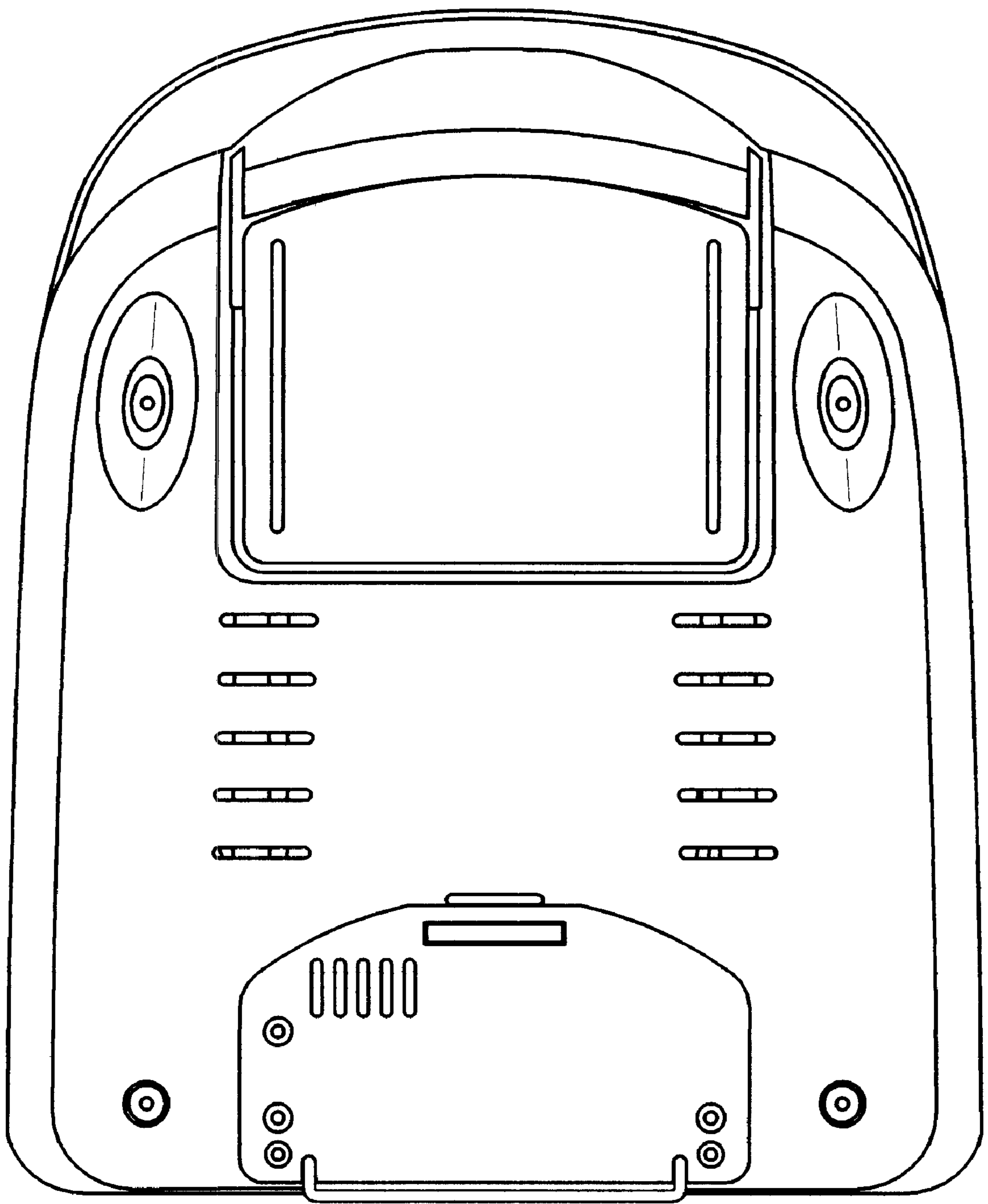


FIG. 7