



US00D475236S

(12) **United States Design Patent**
Lai

(10) **Patent No.:** **US D475,236 S**

(45) **Date of Patent:** **** Jun. 3, 2003**

(54) **COMBINED OVEN, COFFEE MAKER AND STEAMER**

(75) **Inventor:** **Ken W. K. Lai**, Kowloon (CN)

(73) **Assignee:** **Lai's Electronic Company Limited**,
Kowloon (HK)

(**) **Term:** **14 Years**

(21) **Appl. No.:** **29/163,621**

(22) **Filed:** **Jul. 8, 2002**

(30) **Foreign Application Priority Data**

Jan. 11, 2002 (HK) 0210043

(51) **LOC (7) Cl.** **07-02**

(52) **U.S. Cl.** **D7/350.1**

(58) **Field of Search** D7/351, 350.1,
D7/350.3, 350.4, 402, 405, 323, 305; 219/678-679,
756-758, 393; 216/275 E, 19 M, 21 R

(56) **References Cited**

U.S. PATENT DOCUMENTS

D340,831 S * 11/1993 Manabe D7/305

D384,545 S * 10/1997 Wang D7/350

D387,609 S * 12/1997 Noda et al. D7/351

D420,245 S * 2/2000 De'Longhi D7/351

D447,905 S * 9/2001 Smith-Berry et al. D7/350

D453,090 S * 1/2002 Chen D7/350.4

* cited by examiner

Primary Examiner—Ruth McInroy

(74) *Attorney, Agent, or Firm*—Alix, Yale & Ristas, LLP

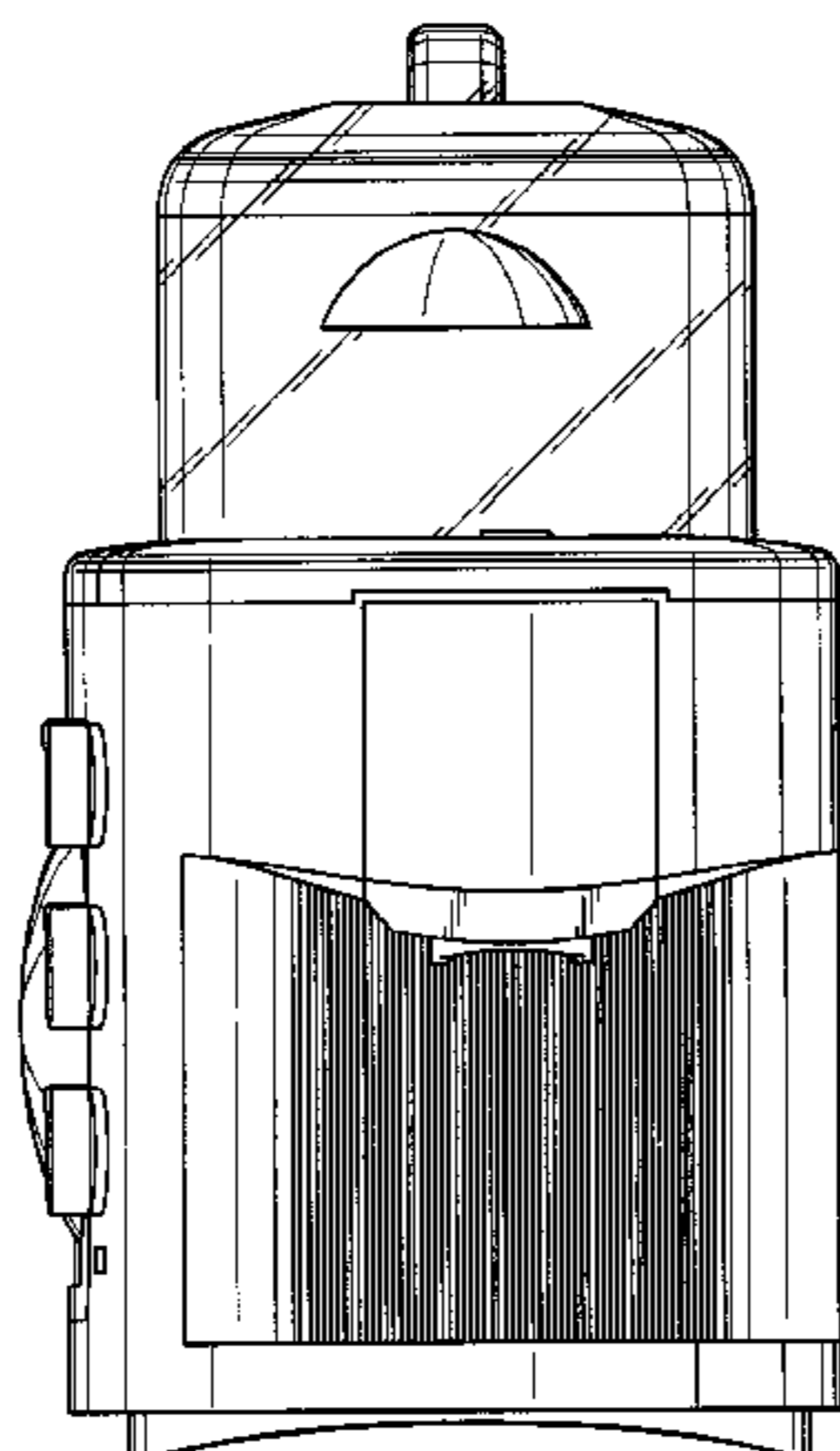
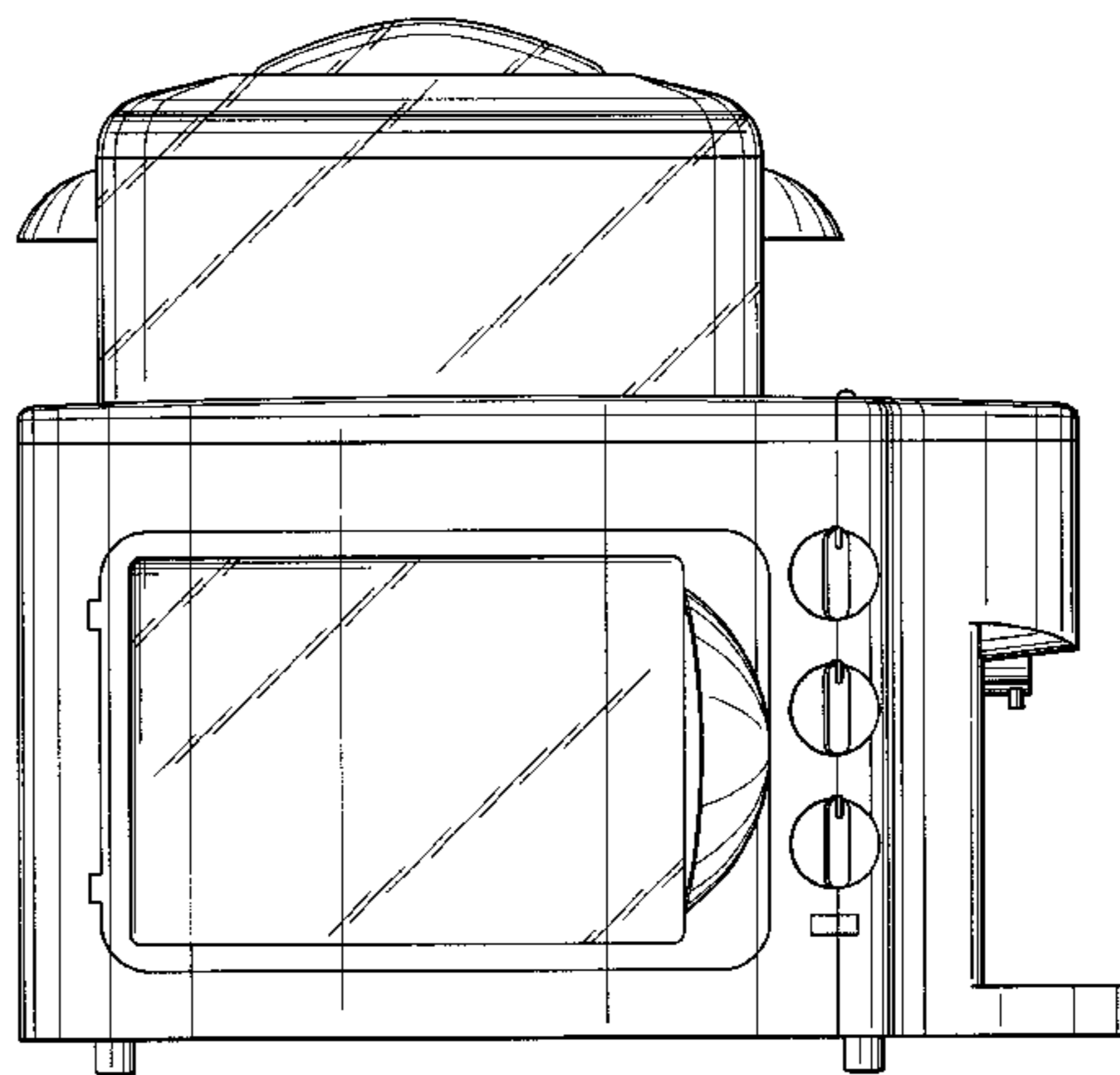
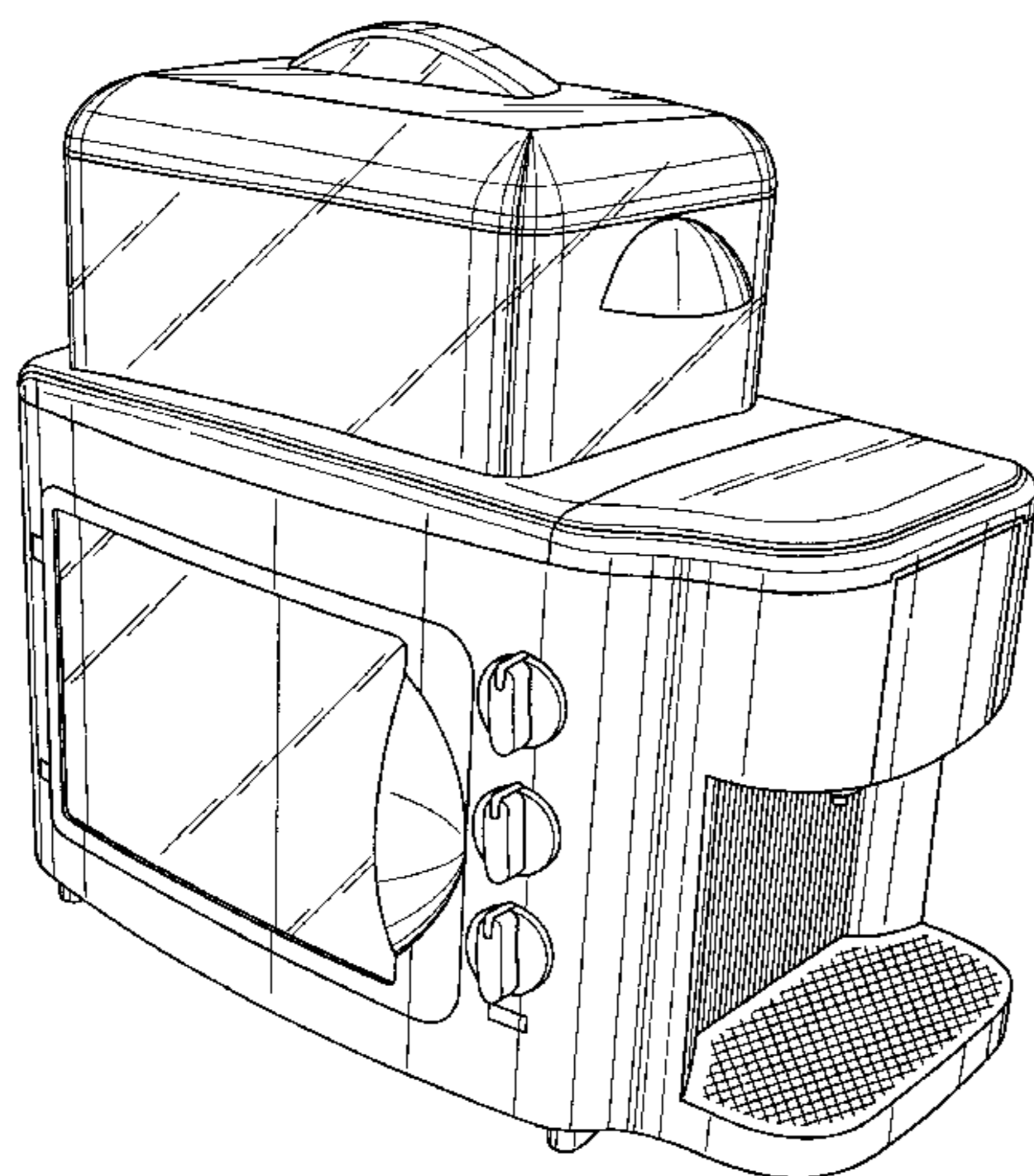
(57) **CLAIM**

The ornamental design for a combined oven, coffee maker and steamer, as shown and described.

DESCRIPTION

FIG. 1 is a perspective view of a combined oven, coffee maker and steamer showing my new design; FIG. 2 is a front elevational view thereof; FIG. 3 is a top plan view thereof; FIG. 4 is a left side elevational view thereof; FIG. 5 is a right side elevational view thereof; FIG. 6 is a rear elevational view thereof; and, FIG. 7 is a bottom plan view thereof.

1 Claim, 4 Drawing Sheets



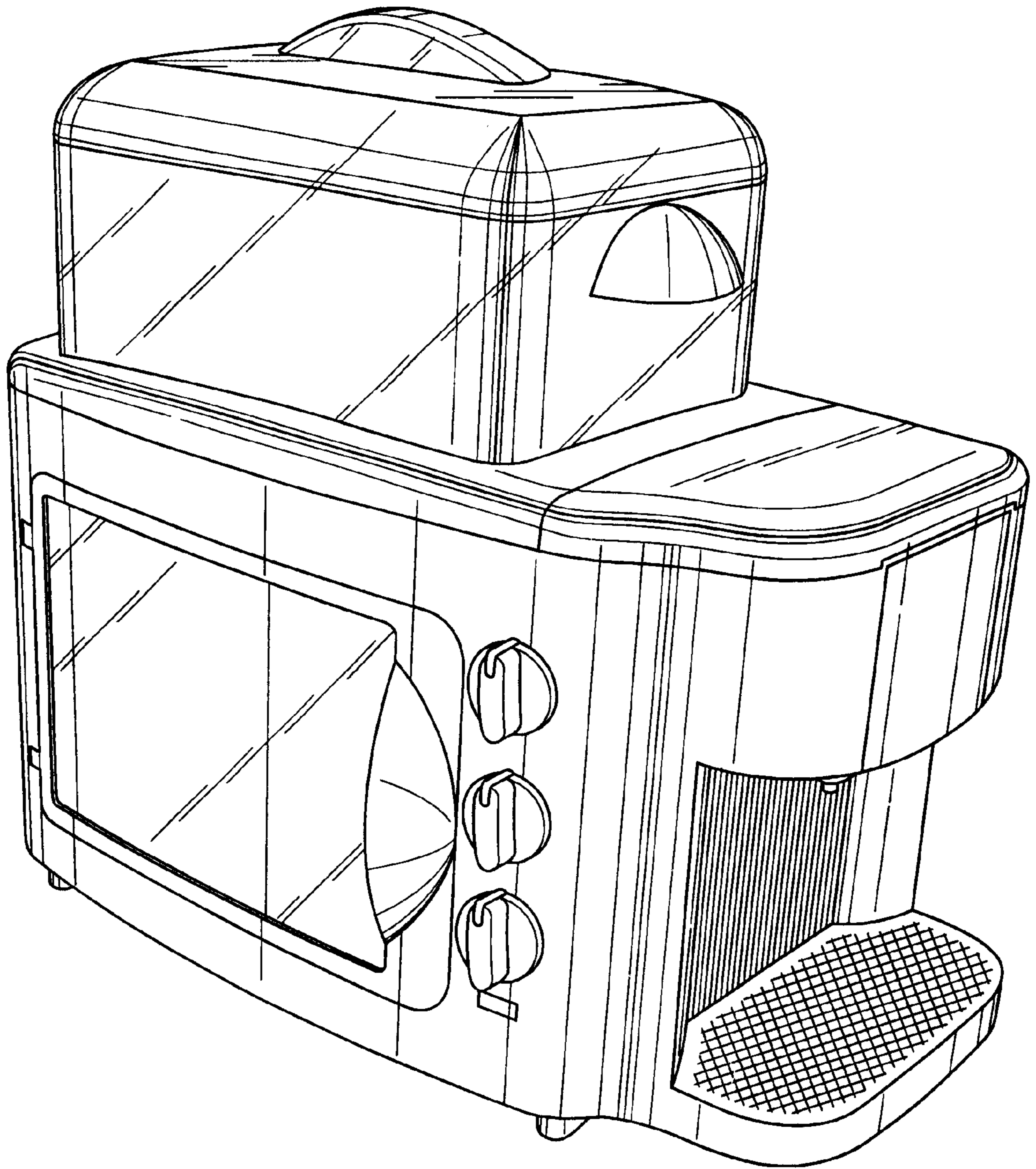


FIG. 1

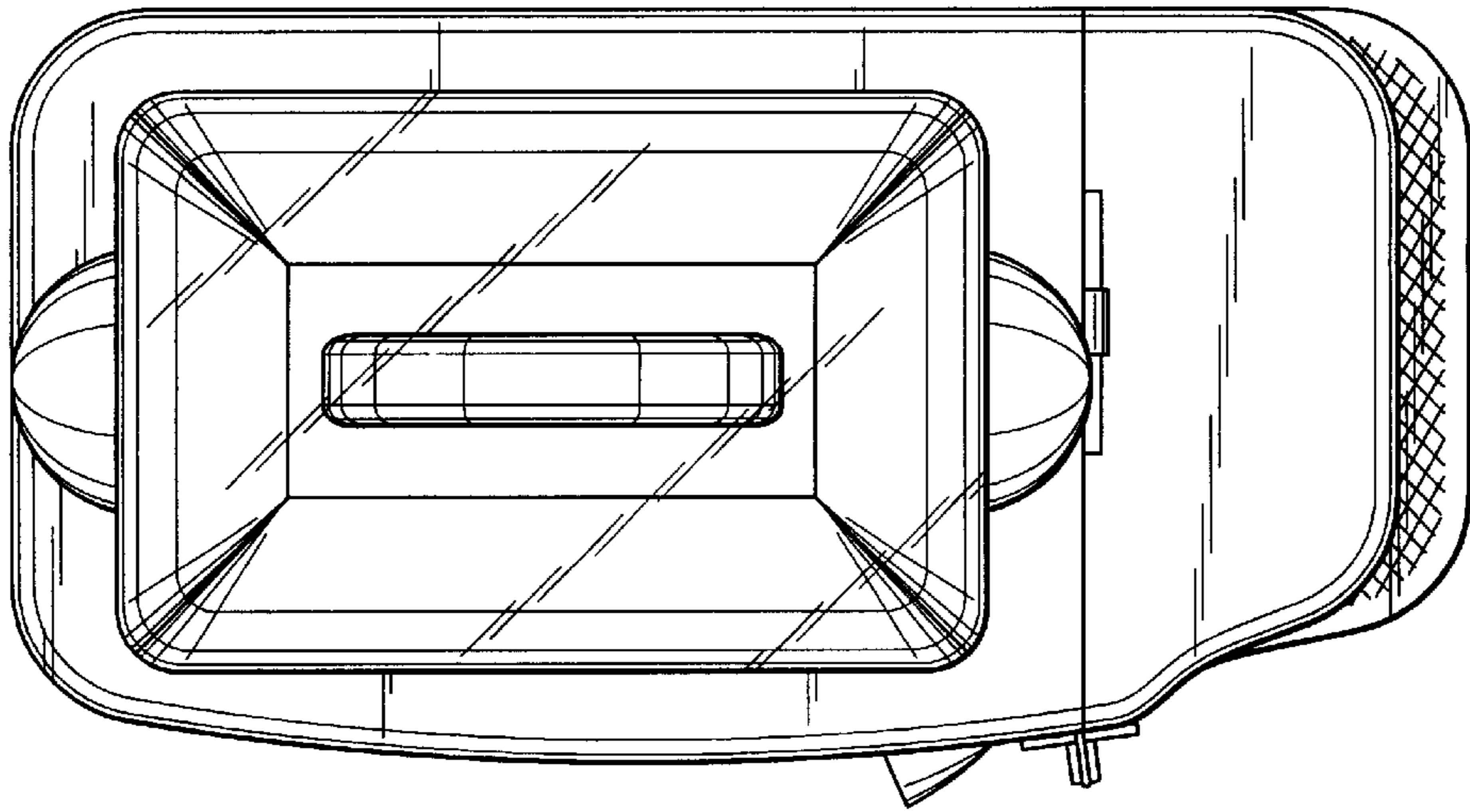


FIG. 3

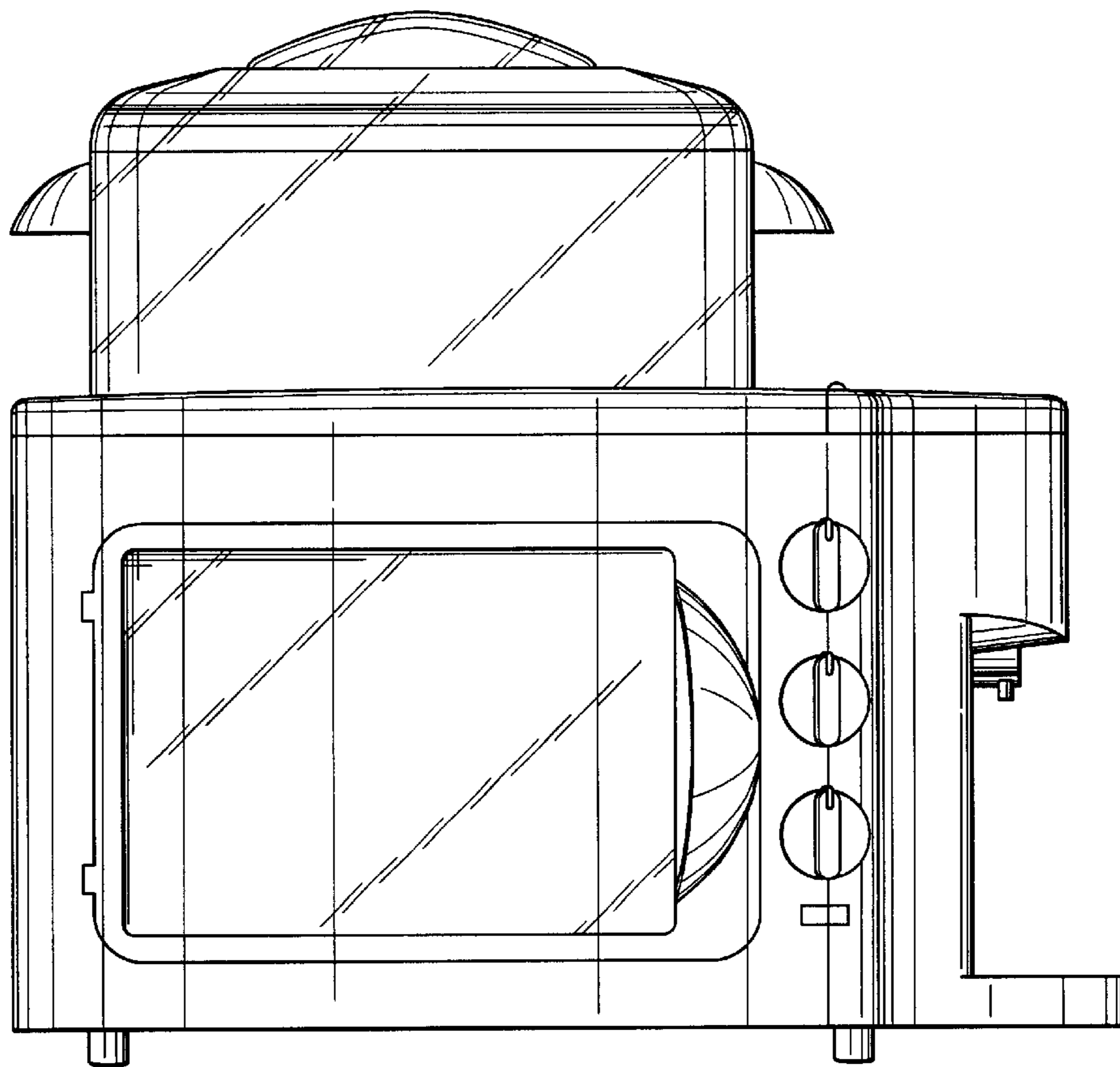


FIG. 2

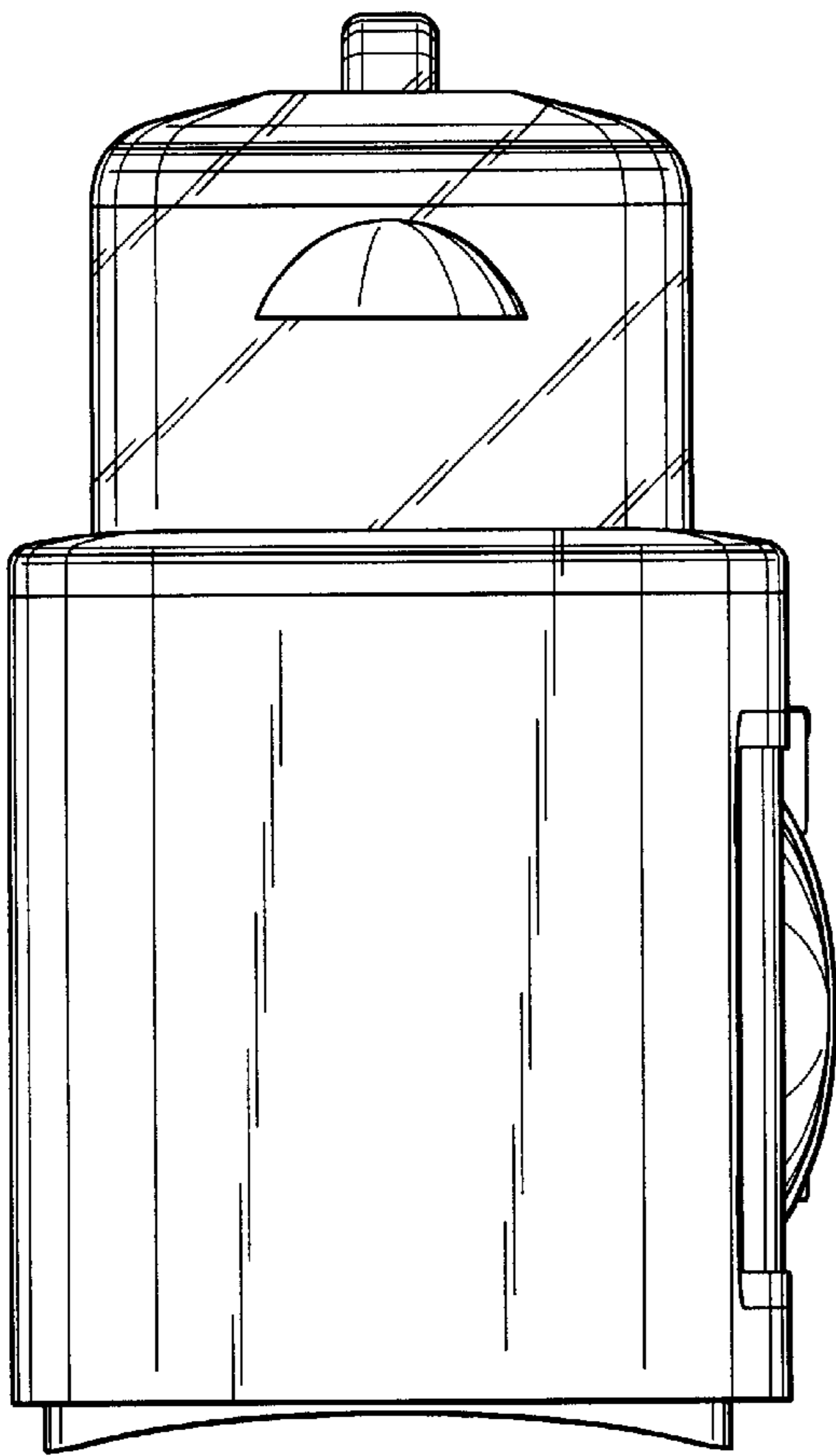


FIG. 4

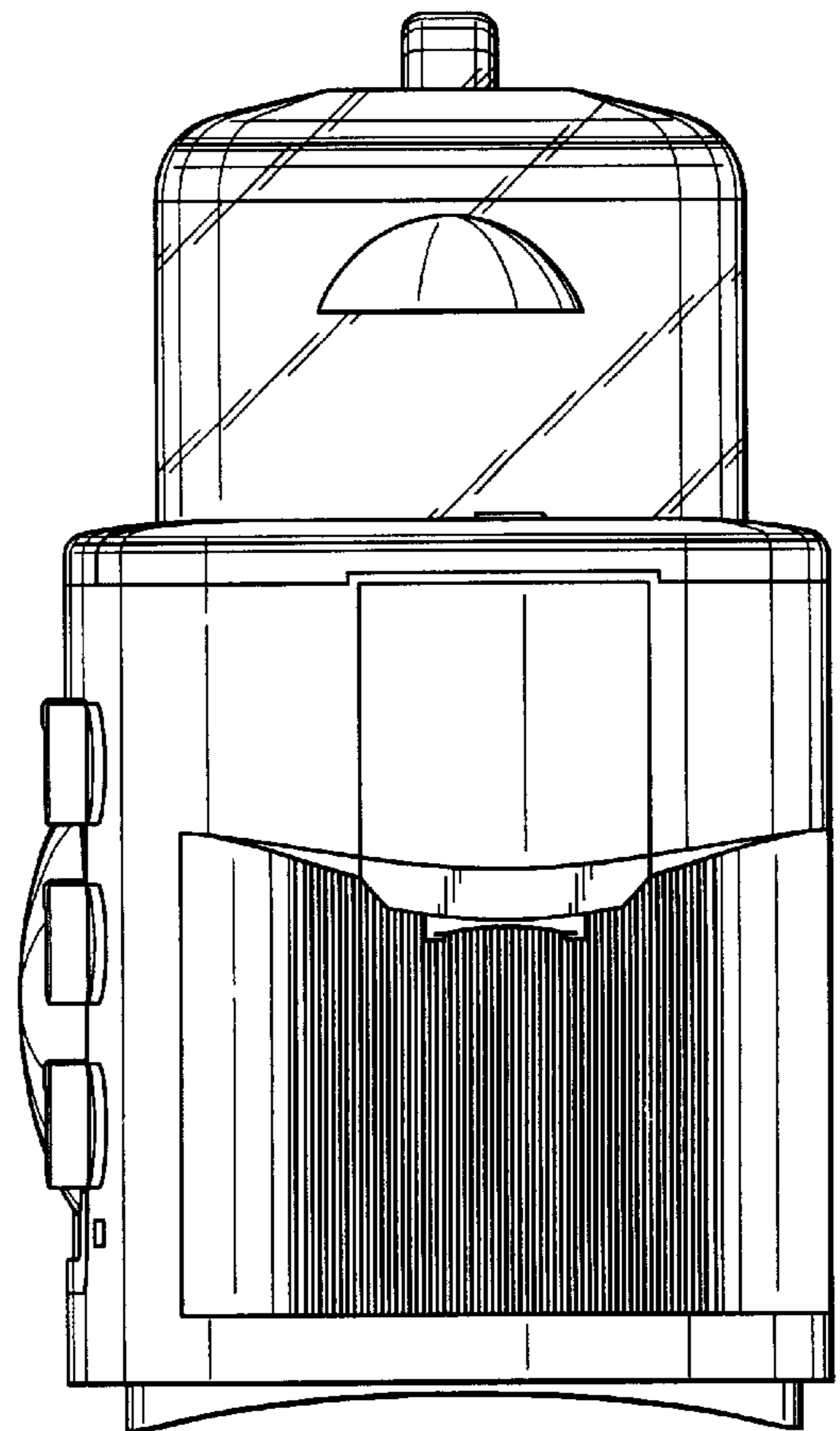


FIG. 5

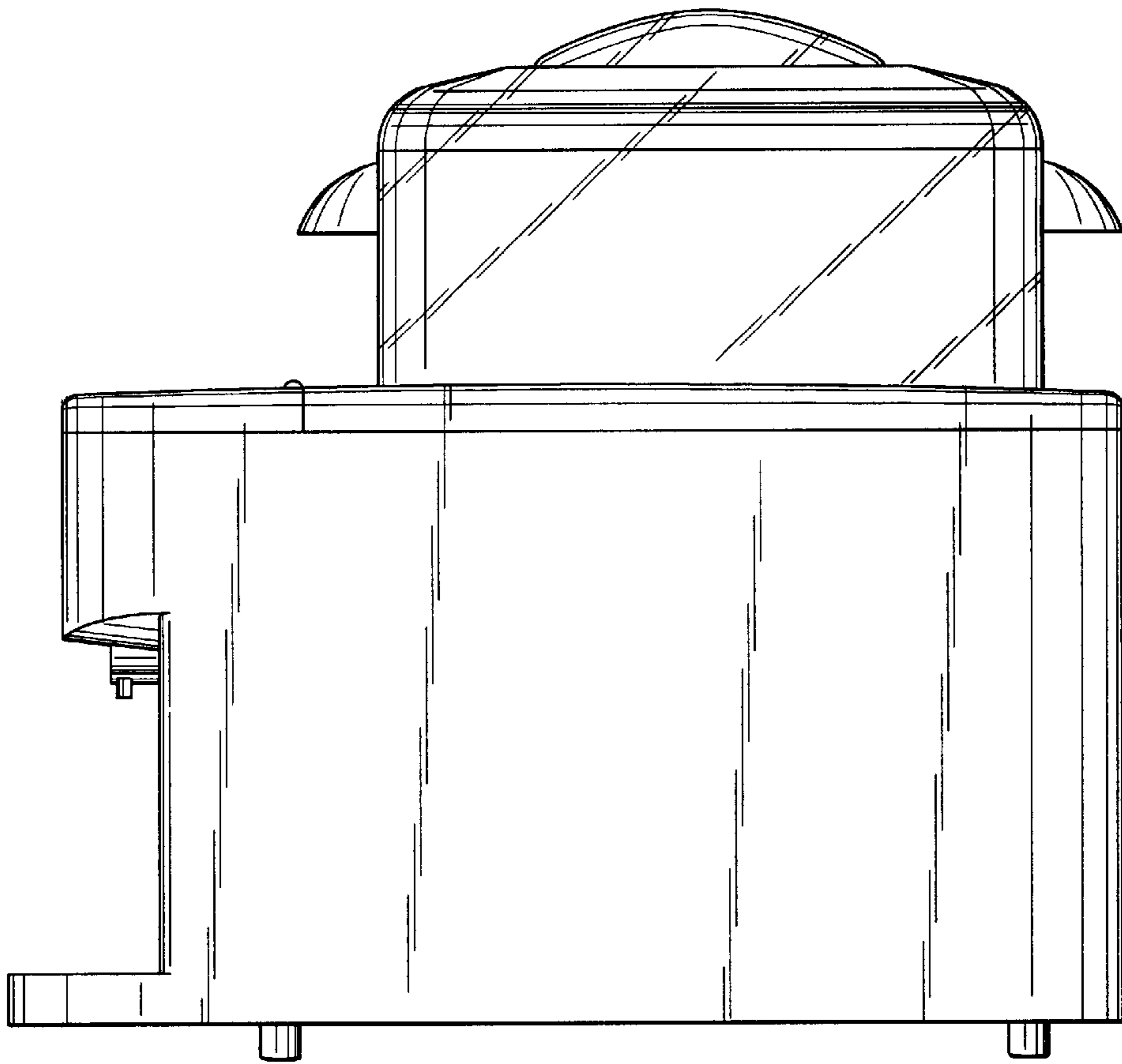


FIG. 6

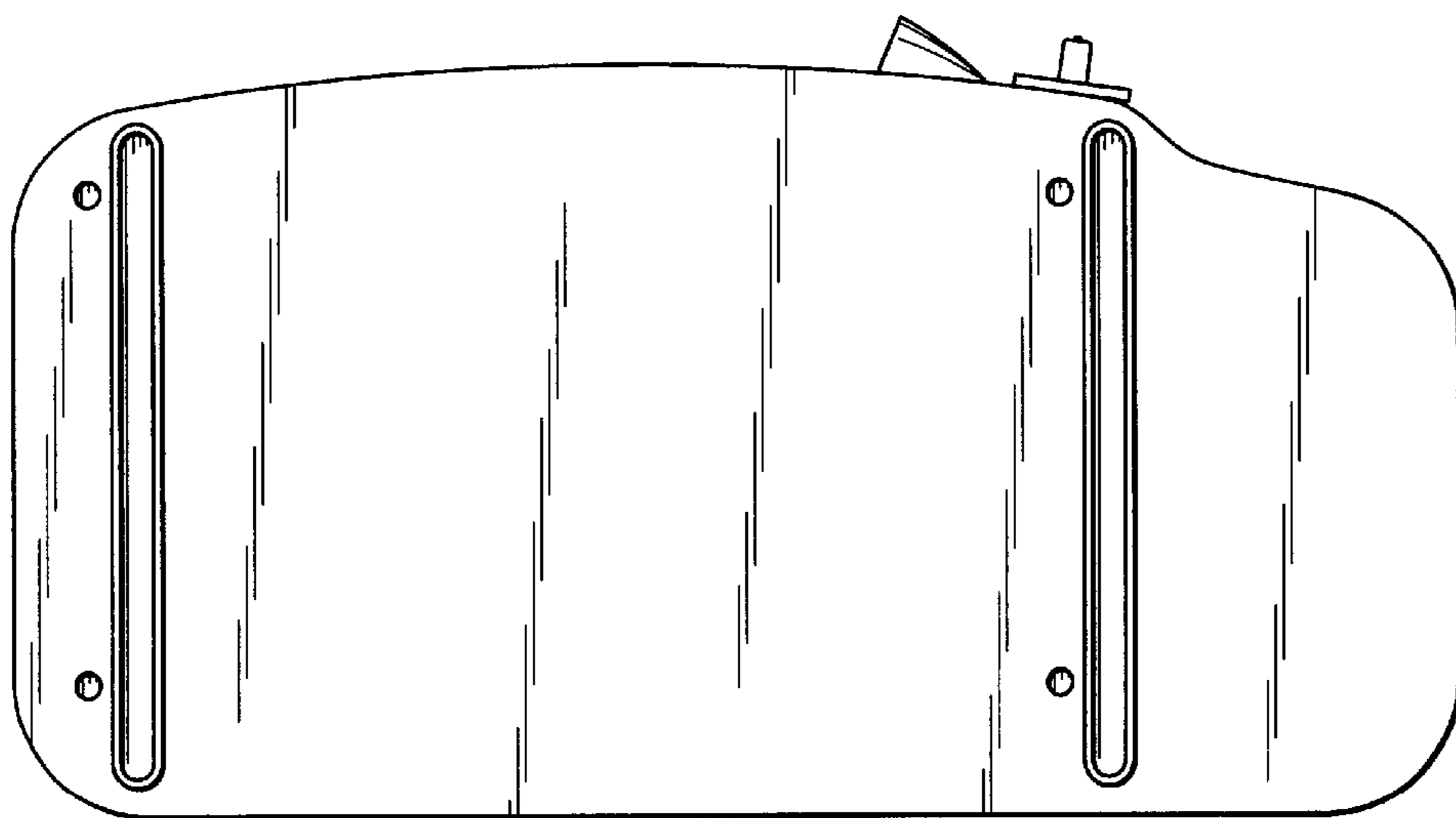


FIG. 7