



US00D475235S

(12) **United States Design Patent**
Home

(10) **Patent No.:** **US D475,235 S**

(45) **Date of Patent:** **** Jun. 3, 2003**

(54) **BARBECUE GRILL**

(75) Inventor: **William Home**, Taipei (TW)

(73) Assignee: **Grand Hall Enterprise Co., Ltd.**,
Taipei (TW)

(**) Term: **14 Years**

(21) Appl. No.: **29/163,437**

(22) Filed: **Jul. 8, 2002**

(51) **LOC (7) Cl.** **07-02**

(52) **U.S. Cl.** **D7/334**

(58) **Field of Search** D7/332-337, 402-404;
126/25 R, 8, 9 R, 38, 41 R, 268, 276; 99/339,
421 R, 357

(56) **References Cited**

U.S. PATENT DOCUMENTS

- 4,677,964 A * 7/1987 Lohmeyer et al. 126/41 R
- D293,067 S * 12/1987 Stephen et al. D7/334
- 4,886,045 A * 12/1989 Ducate, Jr. et al. 126/41 R
- D316,355 S * 4/1991 Stephen et al. D7/334

- D404,963 S * 2/1999 Schlosser et al. D7/334
- D454,276 S * 3/2002 Pai D7/334
- D461,359 S * 8/2002 Coleman et al. D7/334
- D462,227 S * 9/2002 Alden et al. D7/334

* cited by examiner

Primary Examiner—Ruth McInroy

(74) *Attorney, Agent, or Firm*—Leong C. Lei

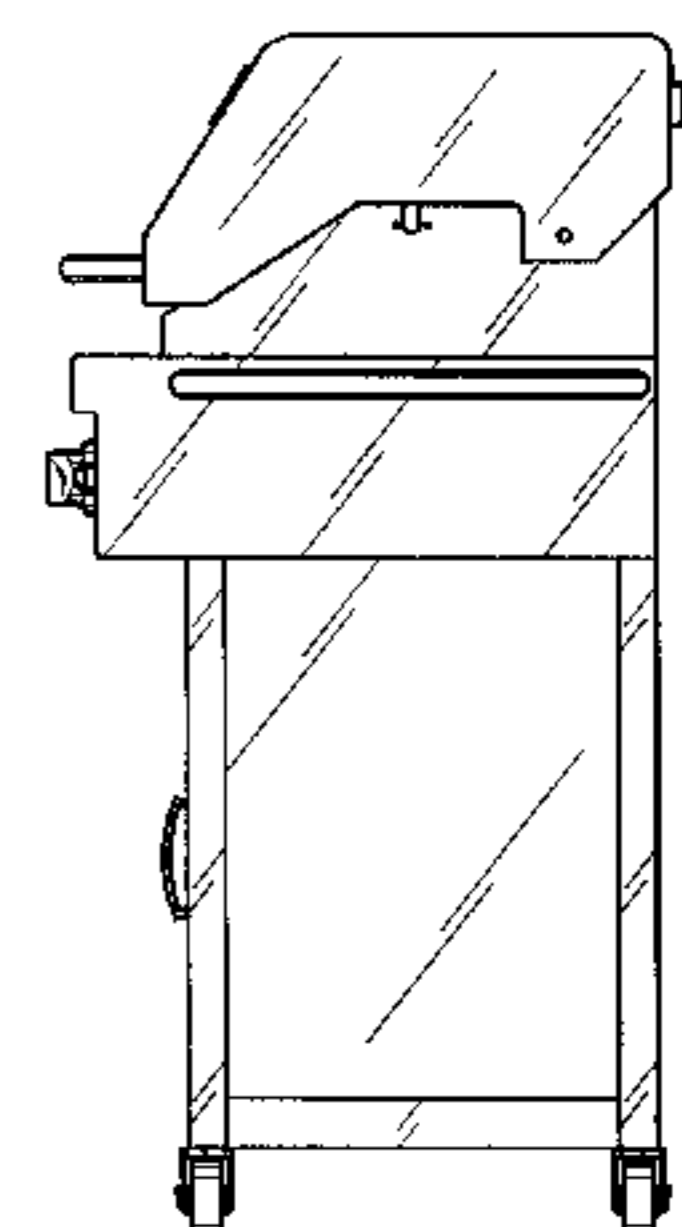
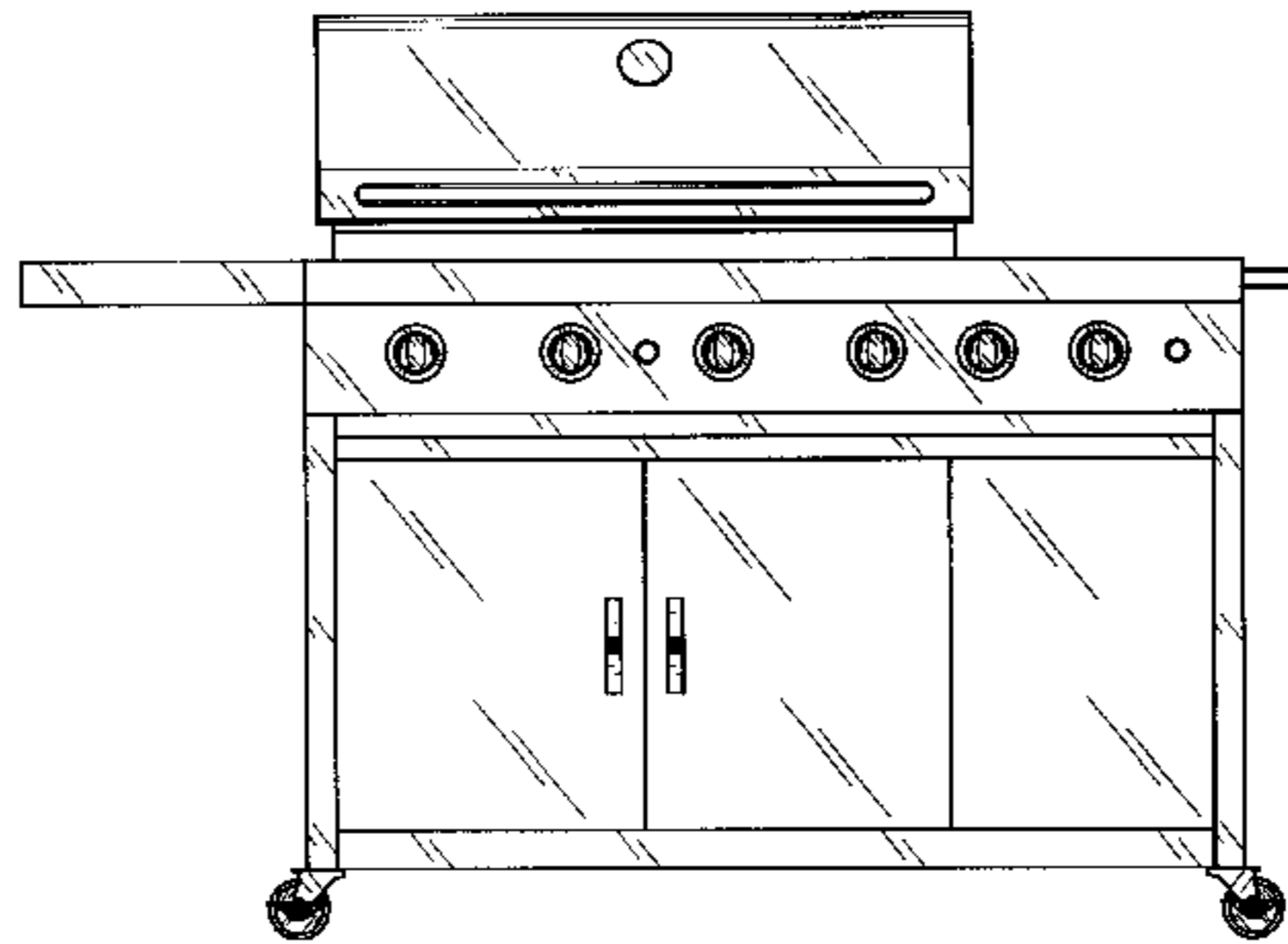
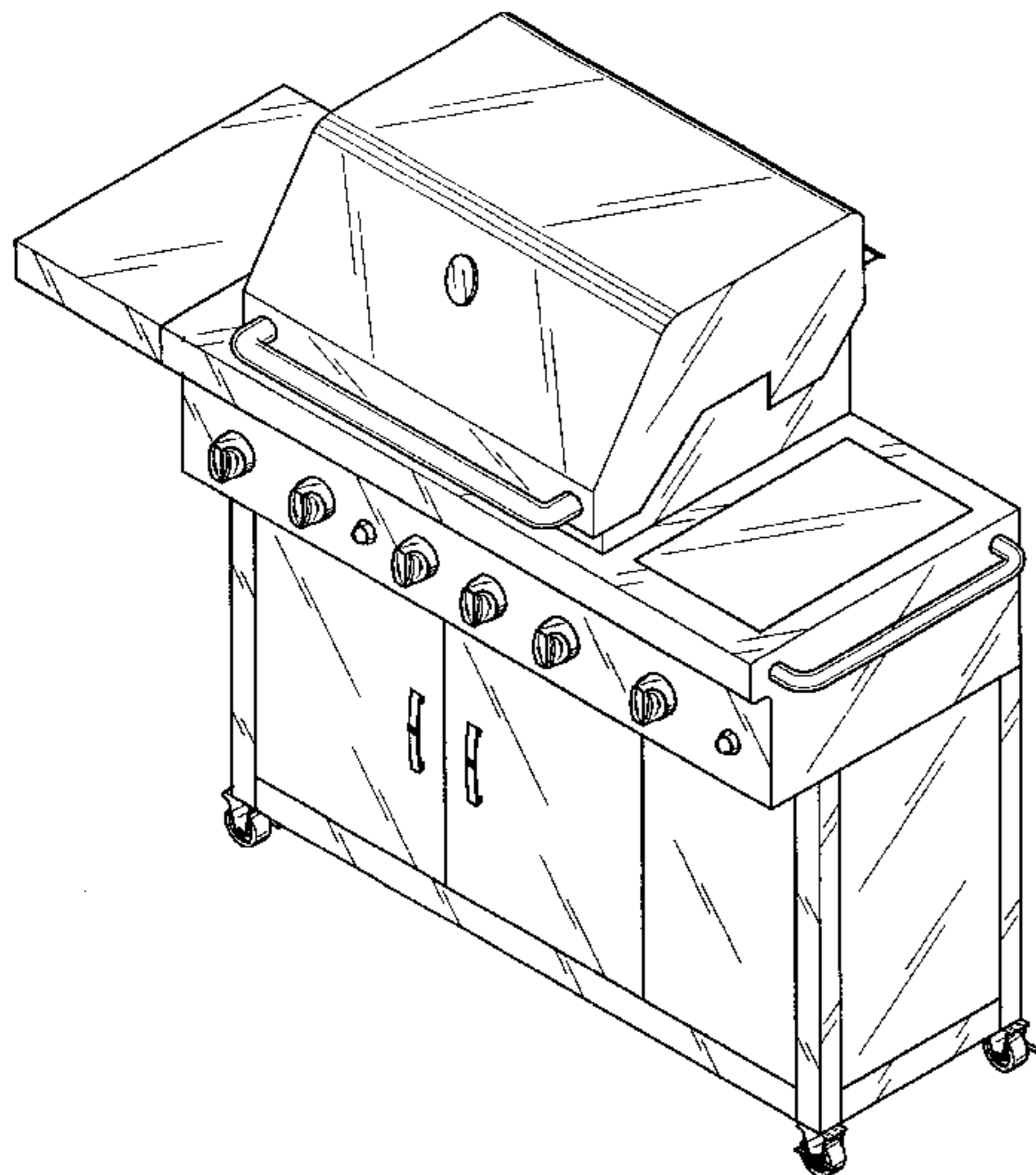
(57) **CLAIM**

The ornamental design for a barbecue grill, as shown and described.

DESCRIPTION

FIG. 1 is perspective view of a barbecue grill showing my new design;
 FIG. 2 is a front side elevation view thereof;
 FIG. 3 is a left side elevation view thereof;
 FIG. 4 is a right side elevation view thereof;
 FIG. 5 is a rear side elevation view thereof;
 FIG. 6 is a top plan view thereof; and,
 FIG. 7 is a bottom plan view thereof.

1 Claim, 4 Drawing Sheets



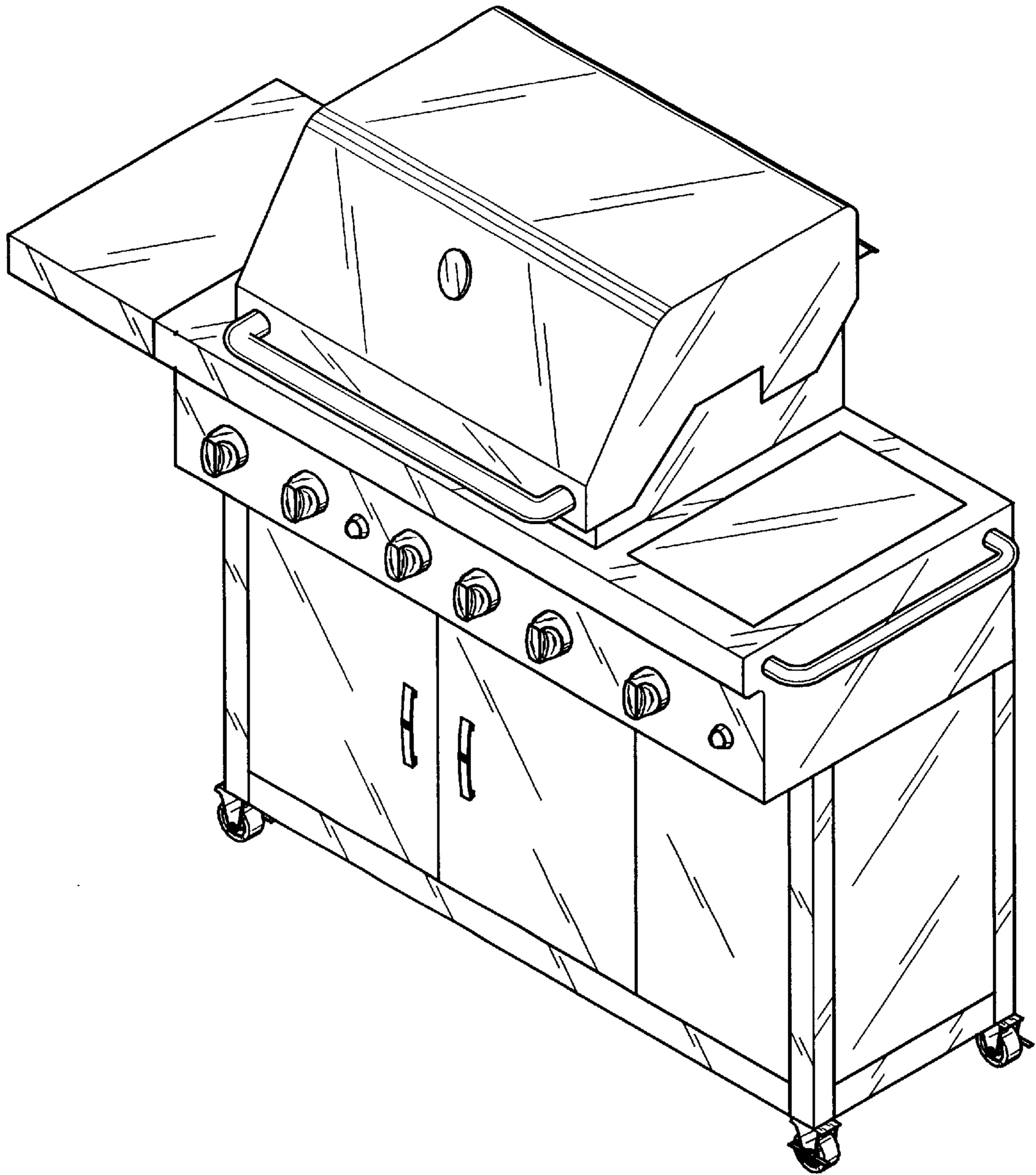


FIG. 1

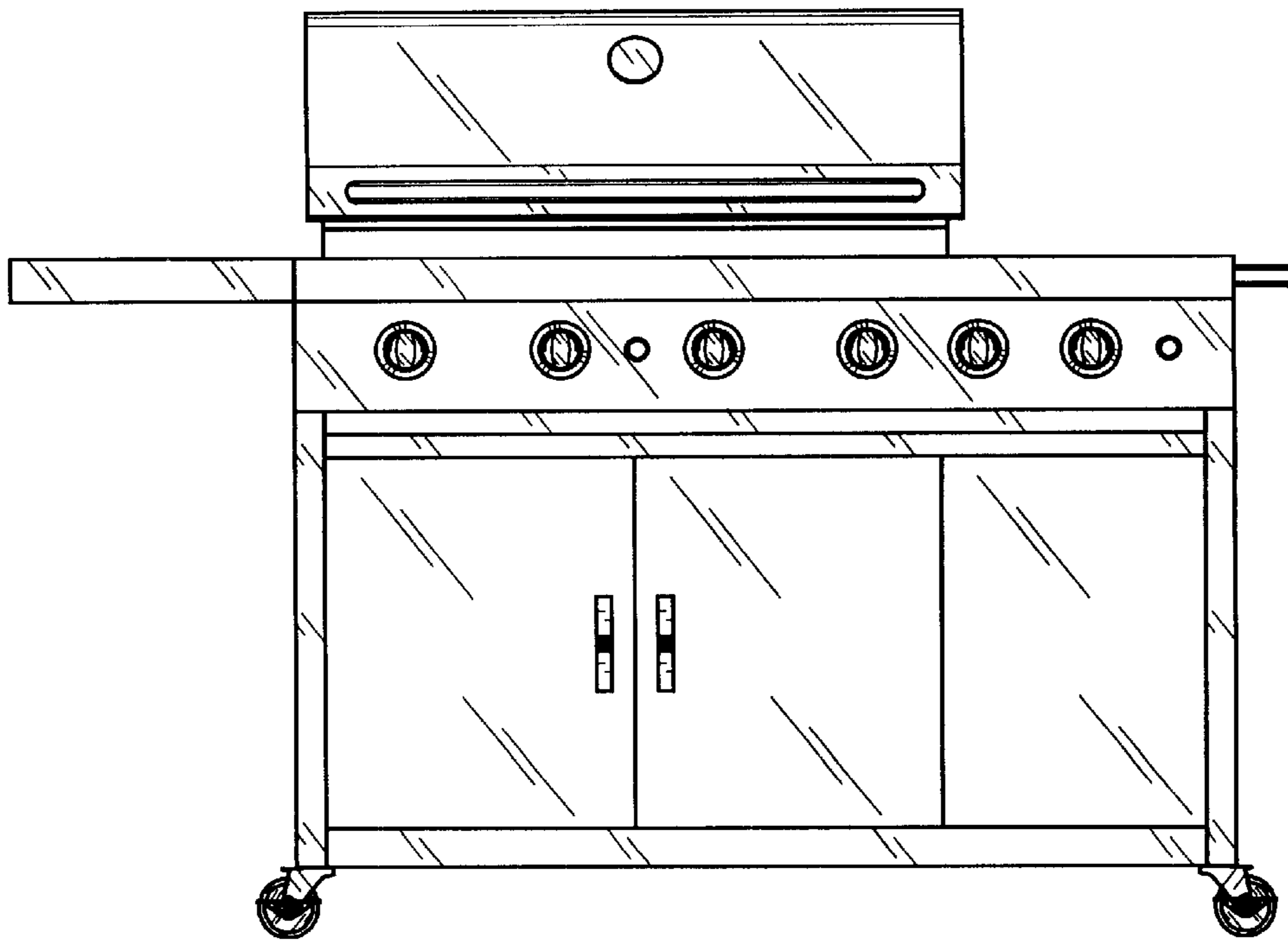


FIG. 2

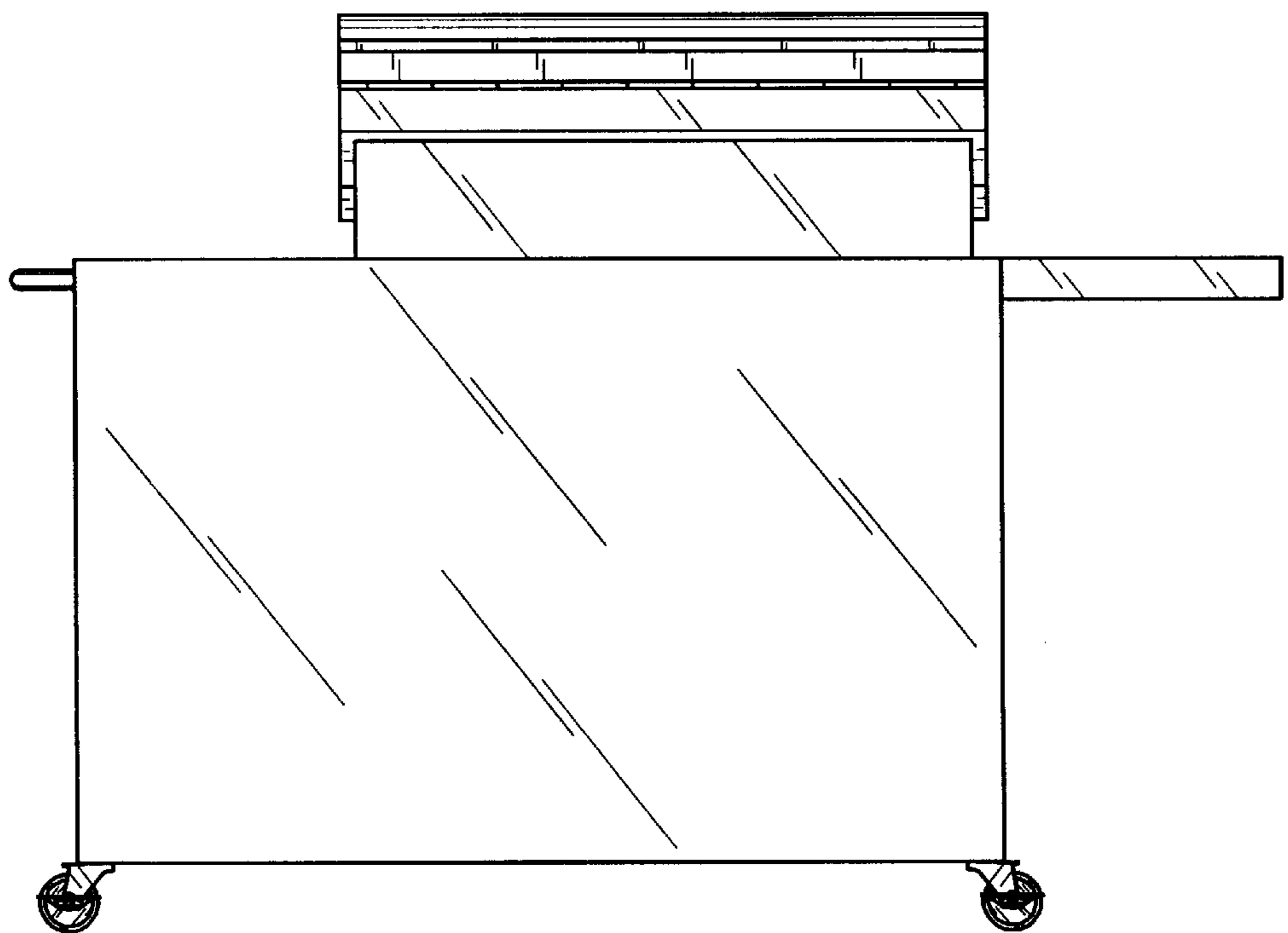


FIG. 5

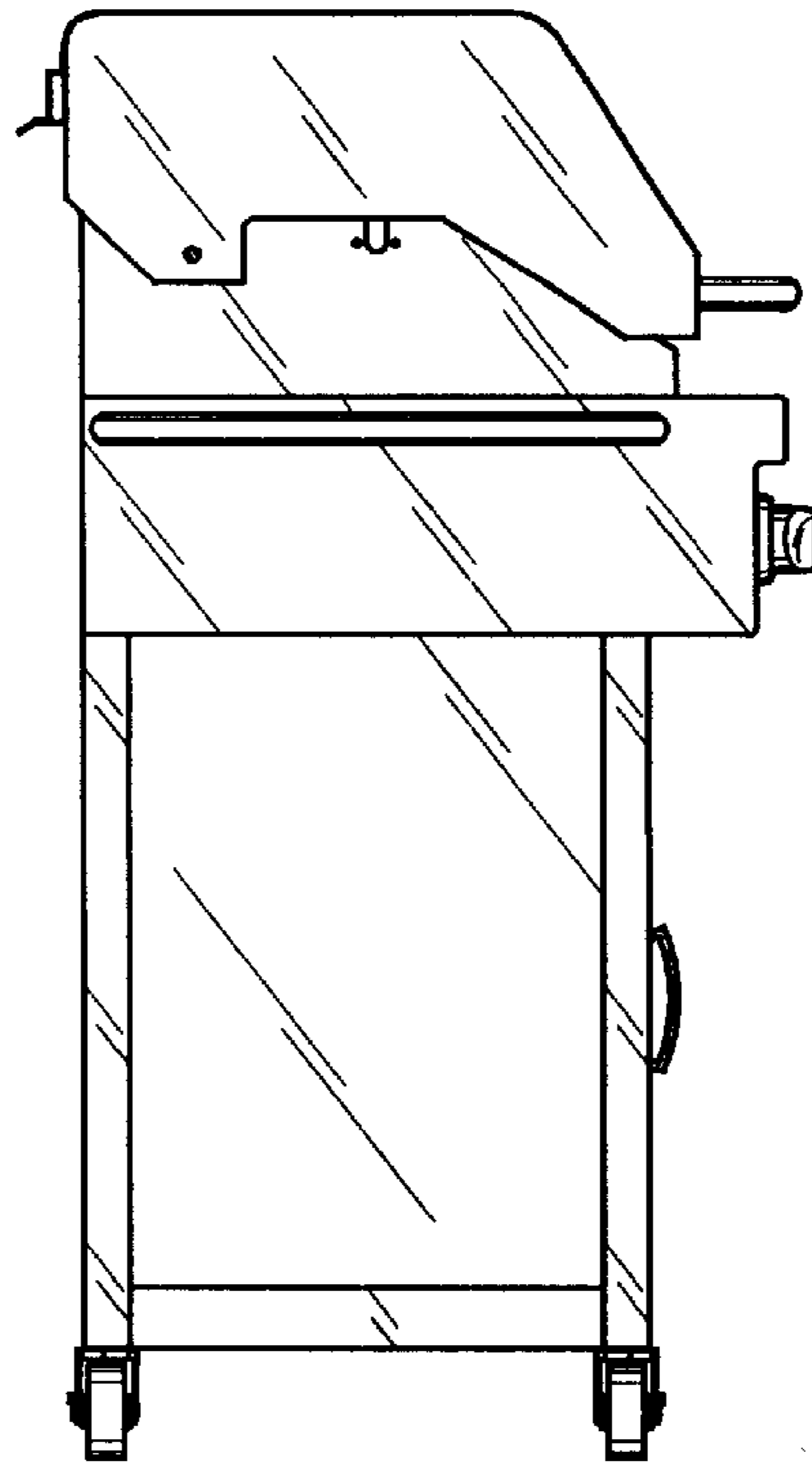


FIG. 3

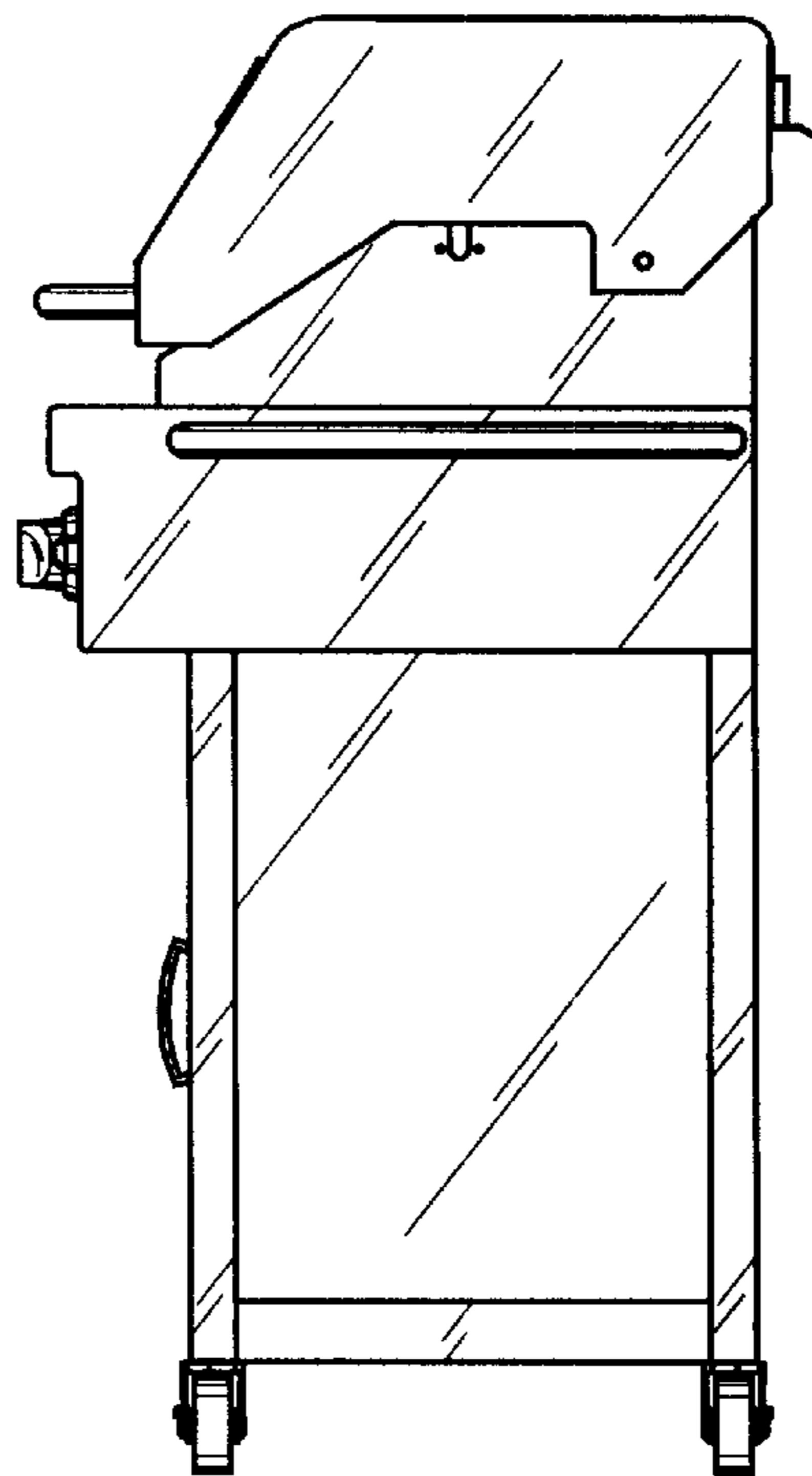


FIG. 4

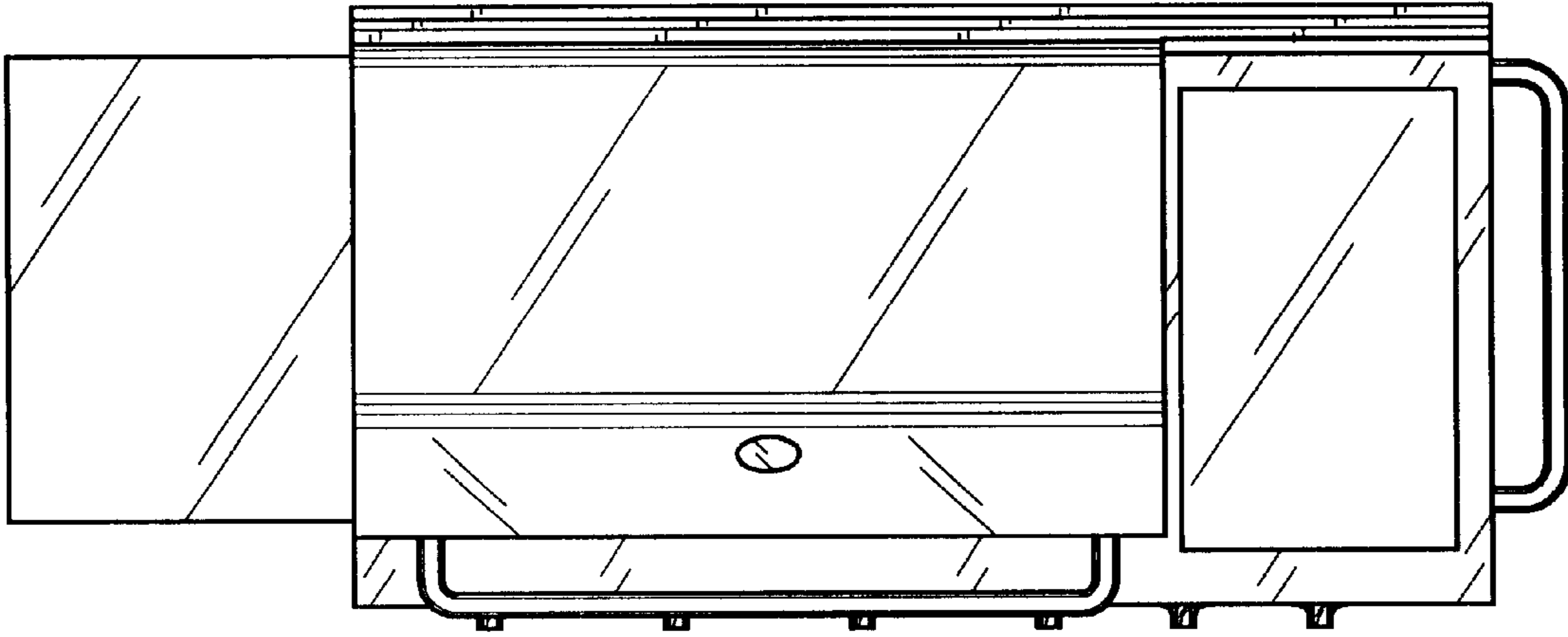


FIG. 6

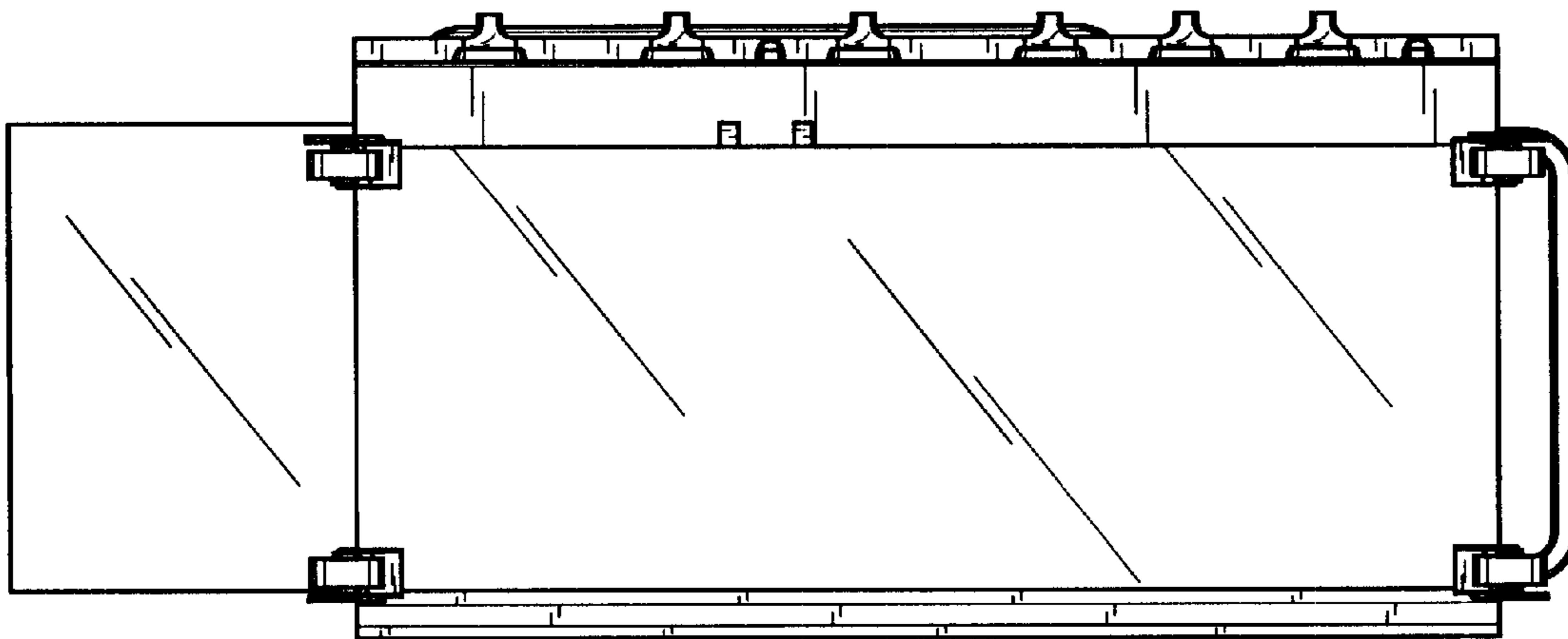


FIG. 7