



US00D475234S

(12) **United States Design Patent**  
**Takase et al.**

(10) **Patent No.:** **US D475,234 S**

(45) **Date of Patent:** **\*\* Jun. 3, 2003**

(54) **TOASTER**

D423,866 S \* 5/2000 Parker et al. .... D7/330

(75) Inventors: **Hiroki Takase**, Kyoto-Fu (JP);  
**Kensaku Noda**, Shiga-Ken (JP); **Kenji Kaneko**, Hyogo-Ken (JP)

\* cited by examiner

*Primary Examiner*—Caron D. Veynar  
(74) *Attorney, Agent, or Firm*—Darby & Darby

(73) Assignee: **Sanyo Electric Co., Ltd.**, Osaka-Fu (JP)

(57) **CLAIM**

(\*\*) Term: **14 Years**

We claim the ornamental design for a toaster, as shown and described.

(21) Appl. No.: **29/164,486**

**DESCRIPTION**

(22) Filed: **Jul. 24, 2002**

FIG. 1 is a top, front, and right side perspective view of our new design for a toaster;

(30) **Foreign Application Priority Data**

Feb. 18, 2002 (JP) ..... 2002-003923

FIG. 2 is a top plan view thereof;

(51) **LOC (7) Cl.** ..... **07-02**

FIG. 3 is a front elevation view thereof;

(52) **U.S. Cl.** ..... **D7/328**

FIG. 4 is a right elevation view thereof;

(58) **Field of Search** ..... D7/328–330, 390;  
99/372, 385, 389

FIG. 5 is a rear elevation view thereof;

FIG. 6 is a bottom plan view thereof;

FIG. 7 is a top, front, right side perspective view of the toaster with the lid open; and,

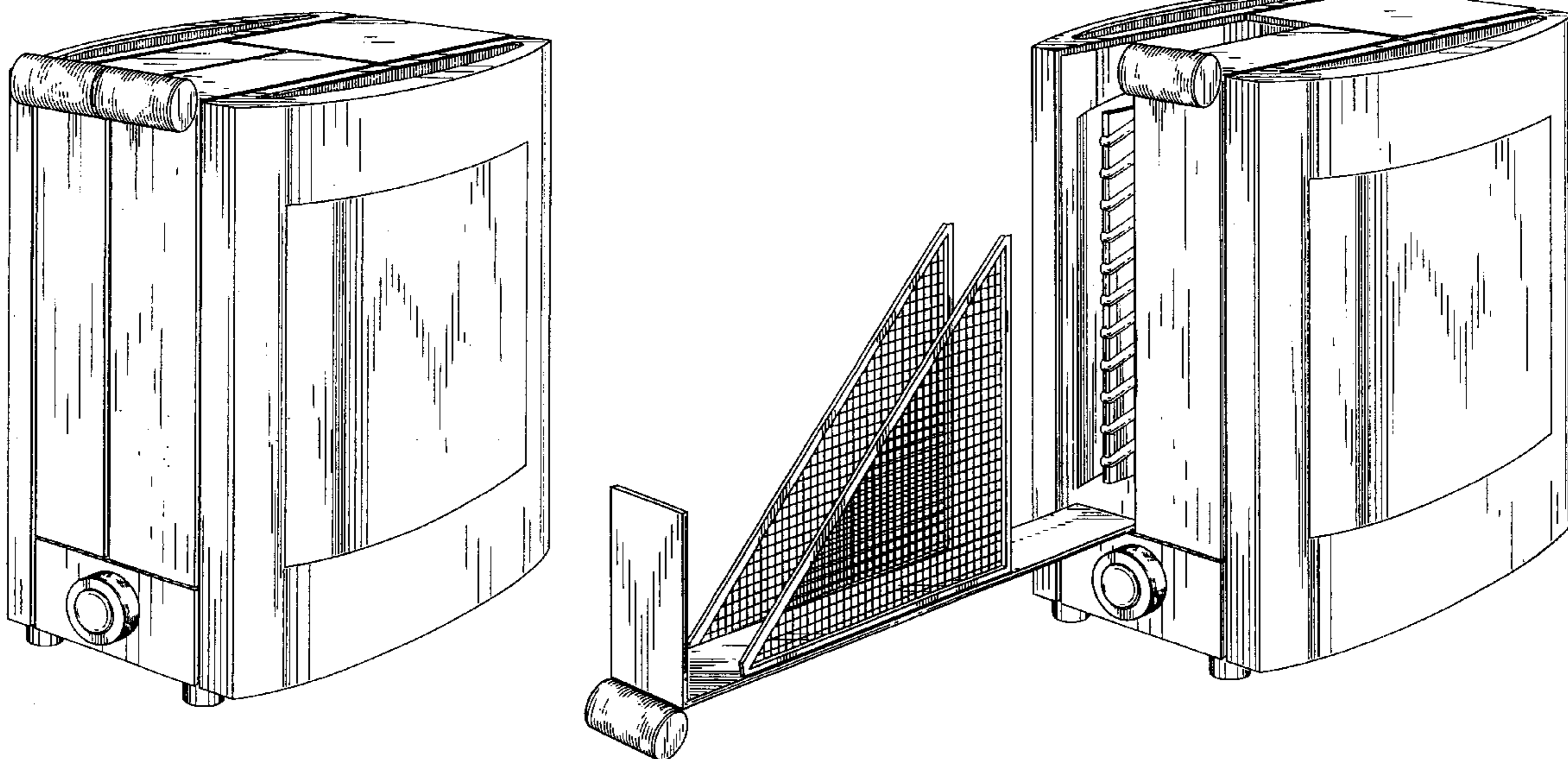
FIG. 8 is a top, front, right side perspective view of the toaster. The broken lines showing a slice of toast is for illustrative purposes only and forms no part of the claimed design.

(56) **References Cited**

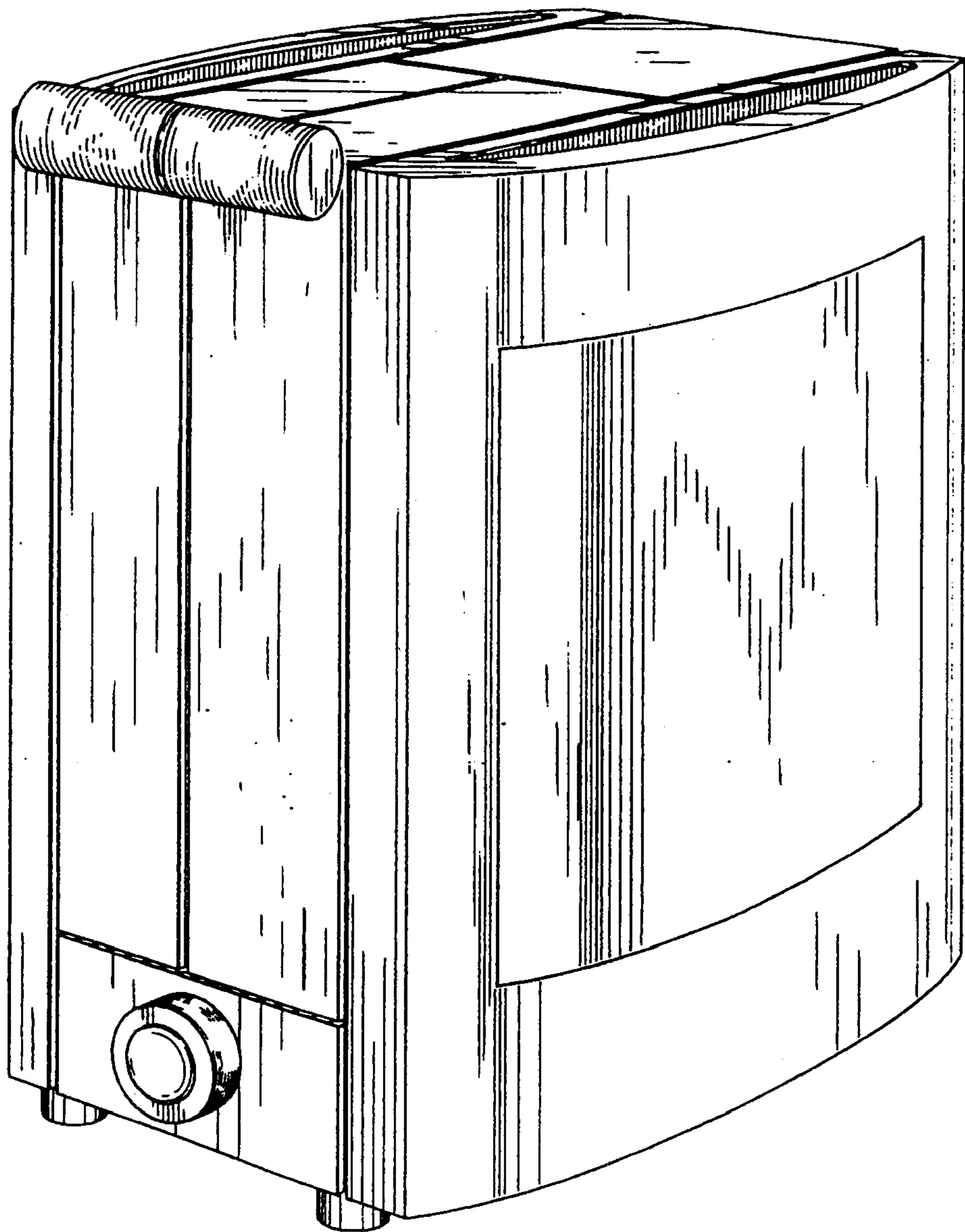
**U.S. PATENT DOCUMENTS**

D105,779 S \* 8/1937 Preston ..... D7/328  
2,131,278 A \* 9/1938 Gough ..... 99/385

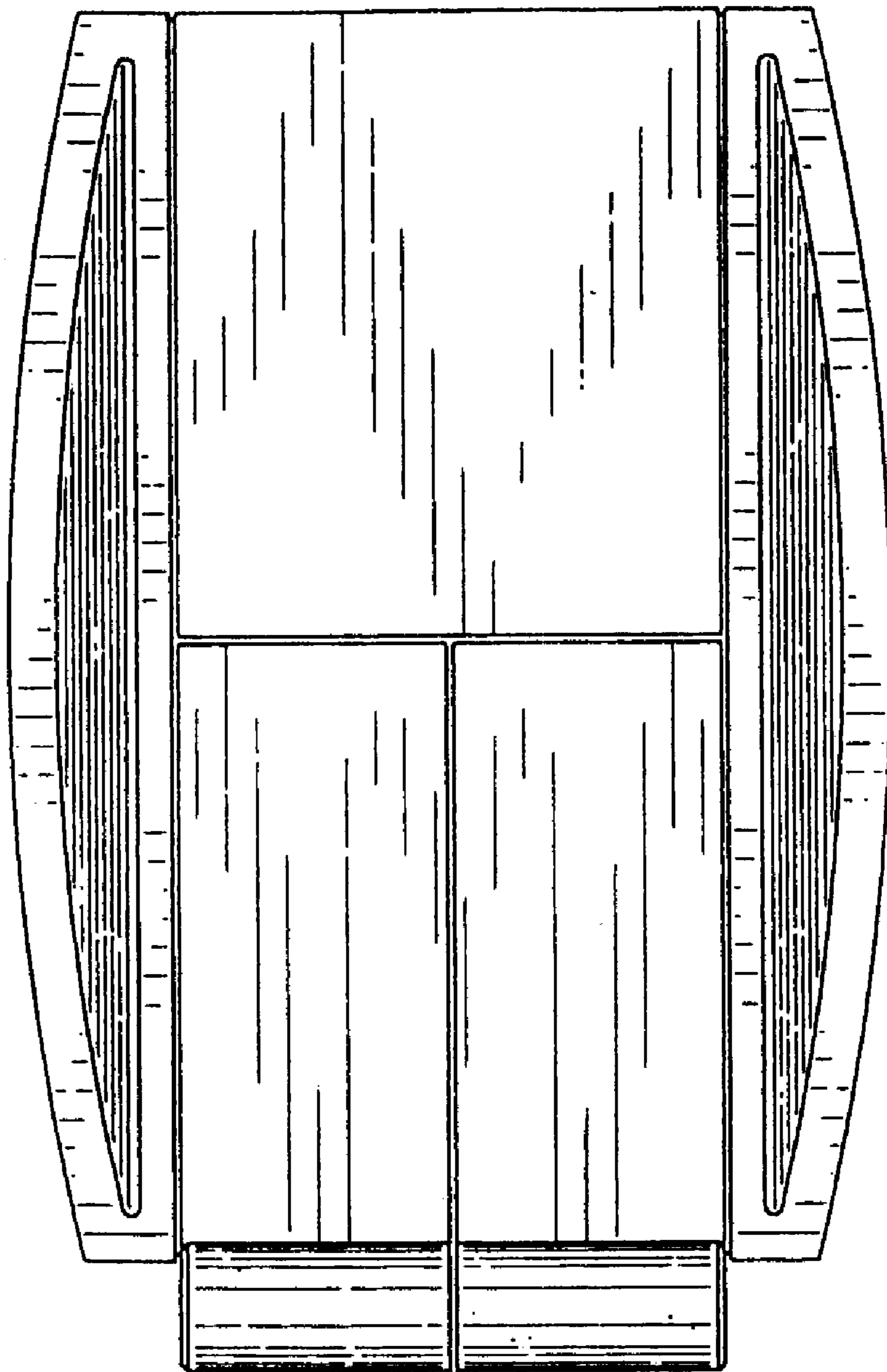
**1 Claim, 8 Drawing Sheets**



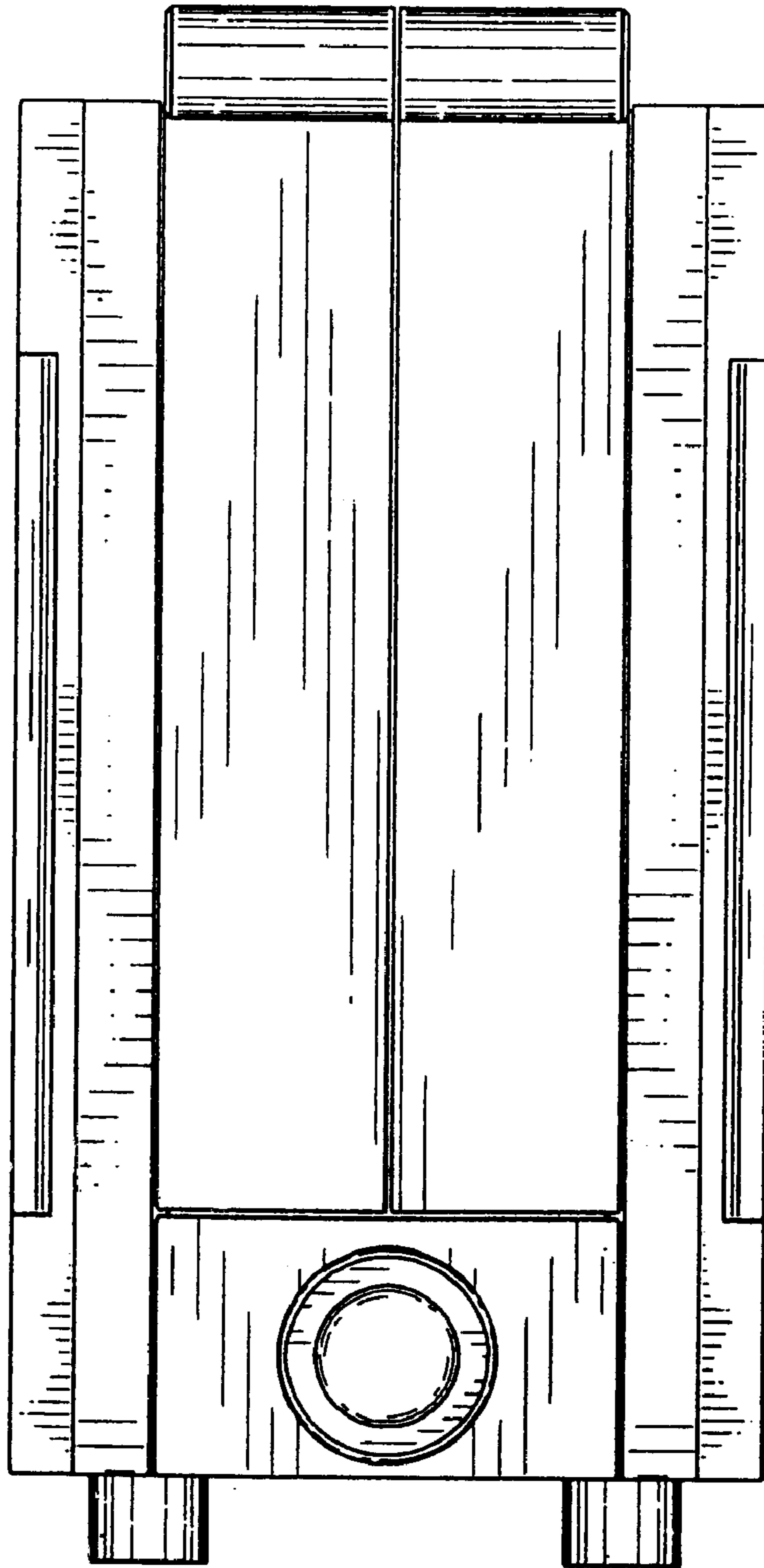
# FIG. 1



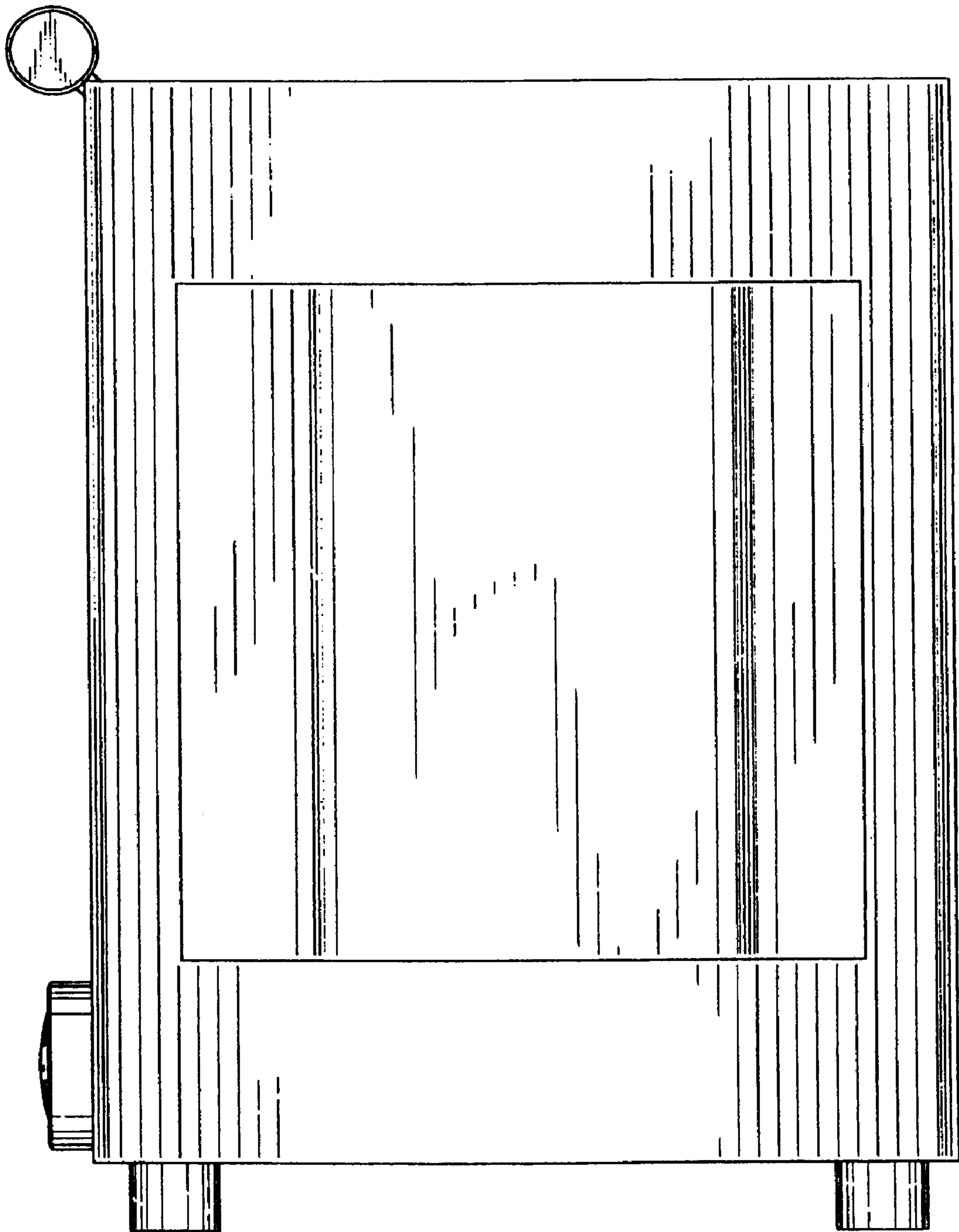
# FIG. 2



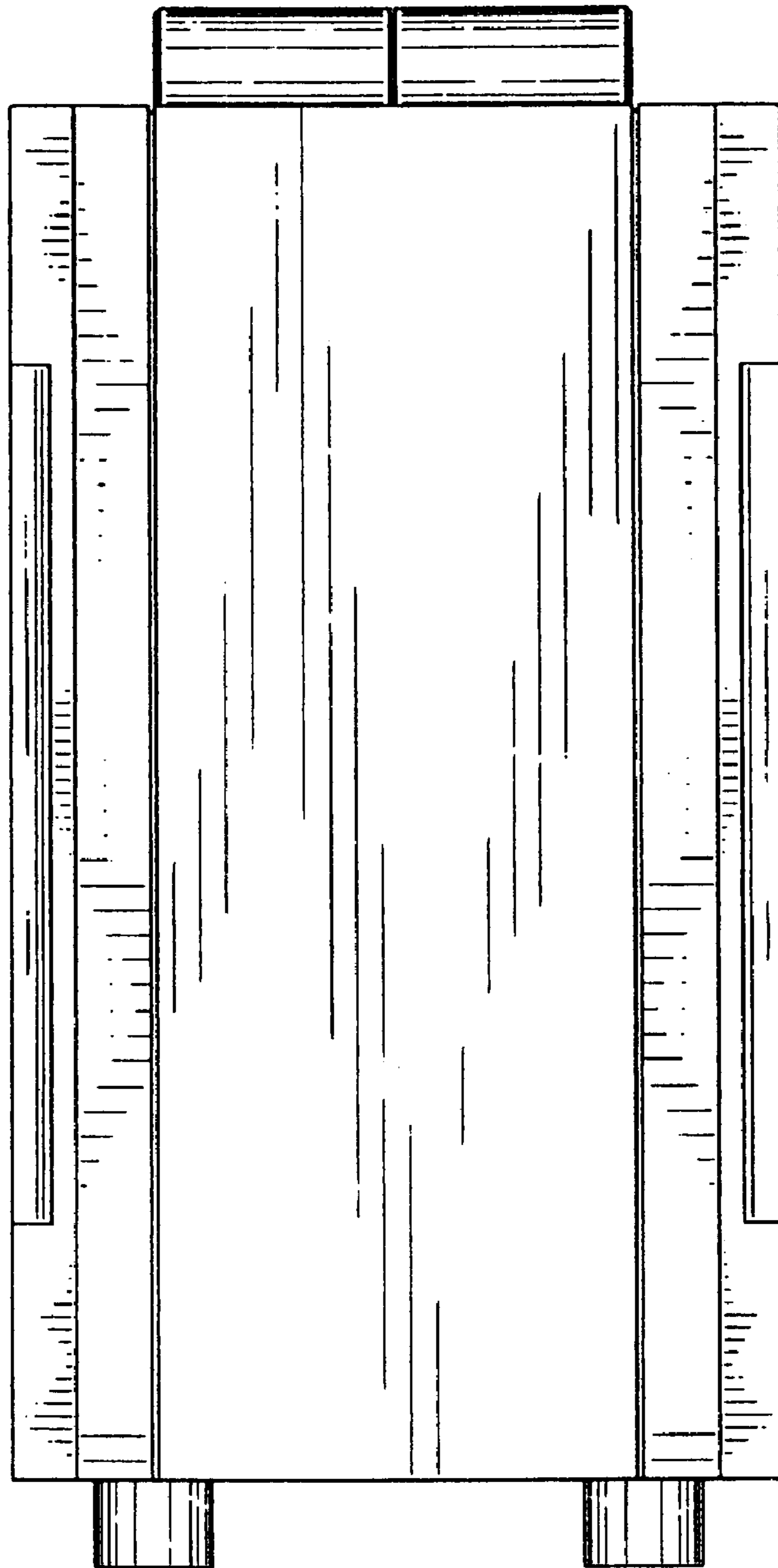
# FIG. 3



# FIG. 4



# FIG. 5





# FIG. 6

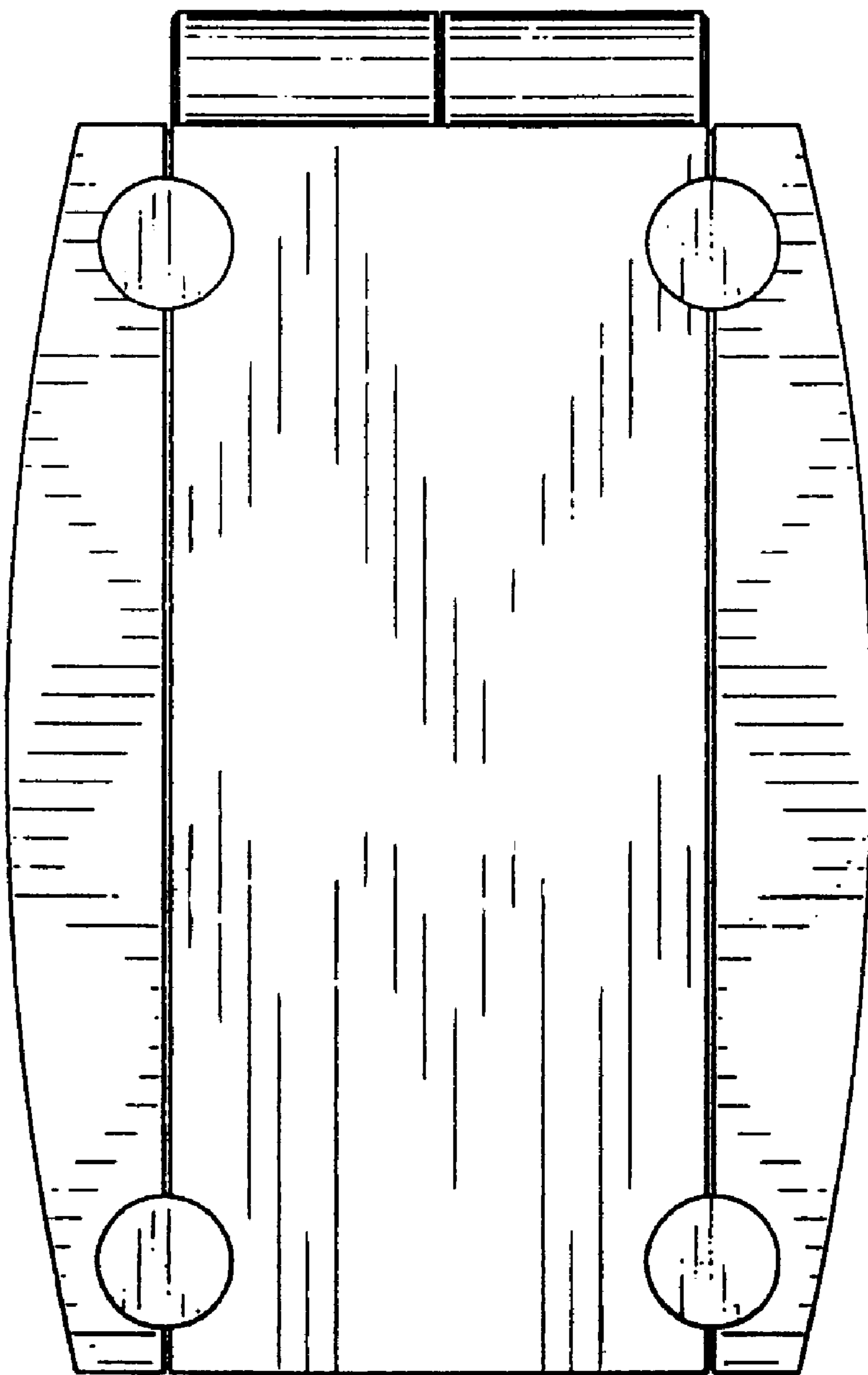


FIG. 7

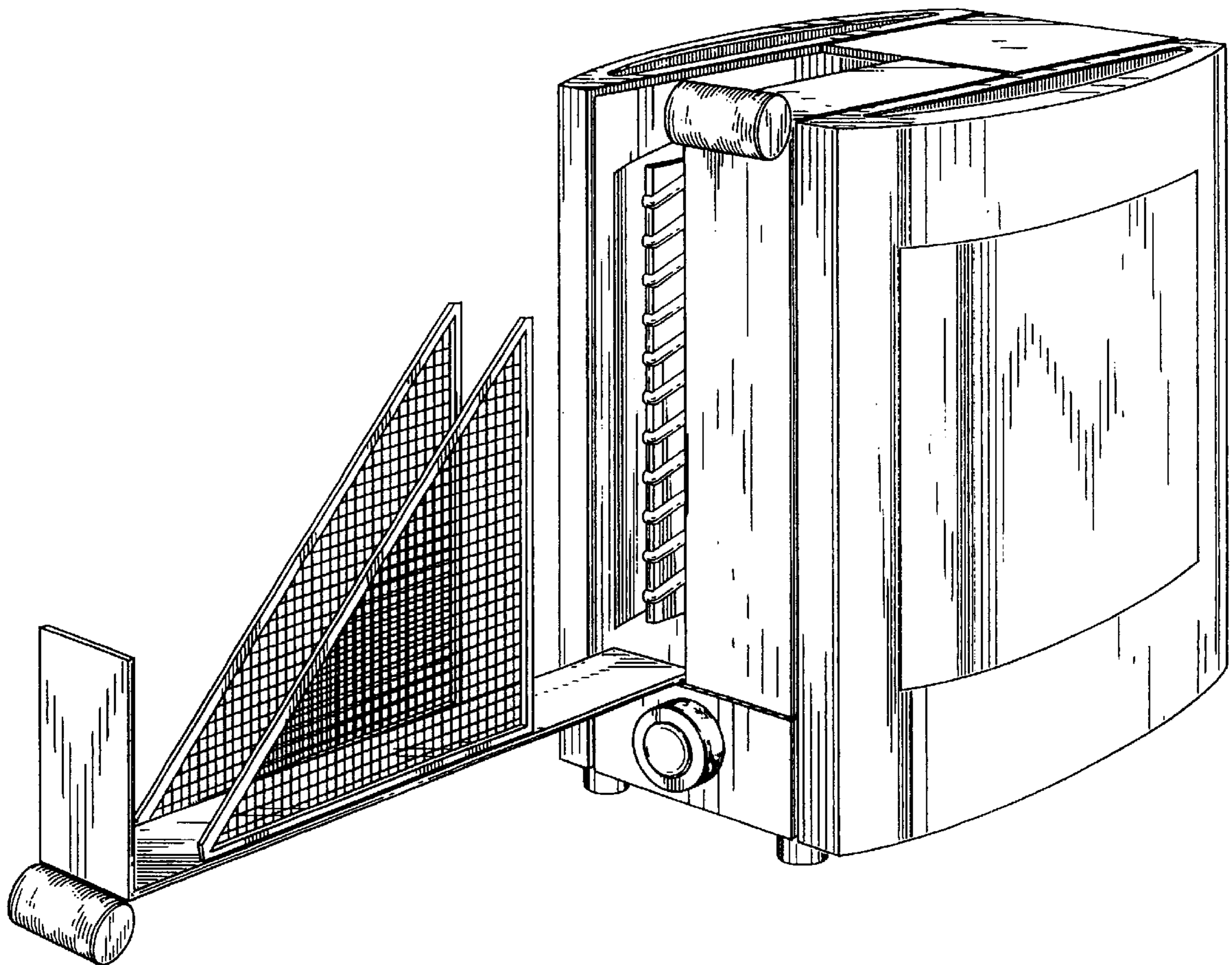




FIG. 8

