



US00D475229S

(12) **United States Design Patent**
Suero

(10) **Patent No.:** **US D475,229 S**

(45) **Date of Patent:** **** Jun. 3, 2003**

- (54) **SHELF FOR SHOWER CADDY**
- (75) Inventor: **Jose Suero**, Newark, DE (US)
- (73) Assignee: **Zenith Products Corp.**, New Castle, DE (US)
- (**) Term: **14 Years**
- (21) Appl. No.: **29/155,693**
- (22) Filed: **Feb. 14, 2002**
- (51) **LOC (7) Cl.** **23-02**
- (52) **U.S. Cl.** **D6/525; D6/562**
- (58) **Field of Search** D6/524, 525, 527, D6/529, 531, 532, 534-537, 540, 556, 566, 567, 562, 570; 108/59; 211/13.1, 86.01, 87.01, 88.01, 106, 126.1, 126.9, 134, 153, 182; 206/77.1

- D421,692 S * 3/2000 Wojtowicz et al. D6/525
- D421,867 S * 3/2000 Carville et al. D6/562
- D429,934 S * 8/2000 Hofman D6/525
- D443,162 S * 6/2001 Winter D6/570
- D462,552 S * 9/2002 Emery et al. D6/525

* cited by examiner

Primary Examiner—Brian N. Vinson
(74) *Attorney, Agent, or Firm*—Edgar A. Zarins; Lloyd D. Doigan

(57) **CLAIM**

The ornamental design for a shelf for shower caddy, as shown and described.

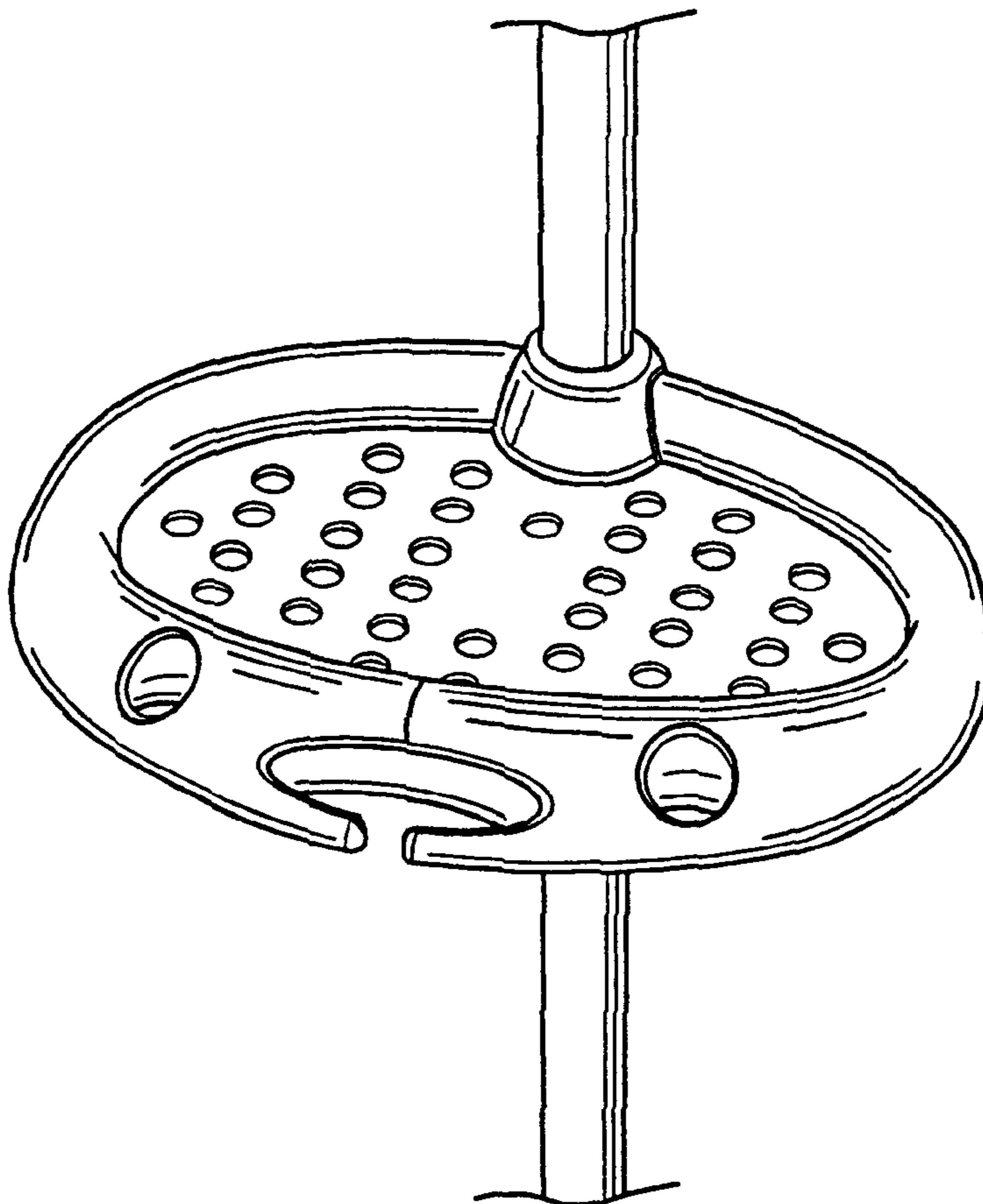
DESCRIPTION

FIG. 1 is a perspective view of a shelf for shower caddy showing my new design;
FIG. 2 is a top plan view thereof;
FIG. 3 is a bottom plan view thereof;
FIG. 4 is a left side view thereof;
FIG. 5 is a right side view thereof;
FIG. 6 is a front elevational view thereof; and,
FIG. 7 is a rear view thereof.

(56) **References Cited**
U.S. PATENT DOCUMENTS

- D382,751 S * 8/1997 Andrus D6/525
- D394,968 S * 6/1998 Gottwald D6/540
- D417,107 S * 11/1999 Patel et al. D6/511
- D417,990 S * 12/1999 Yemini D6/525

1 Claim, 4 Drawing Sheets



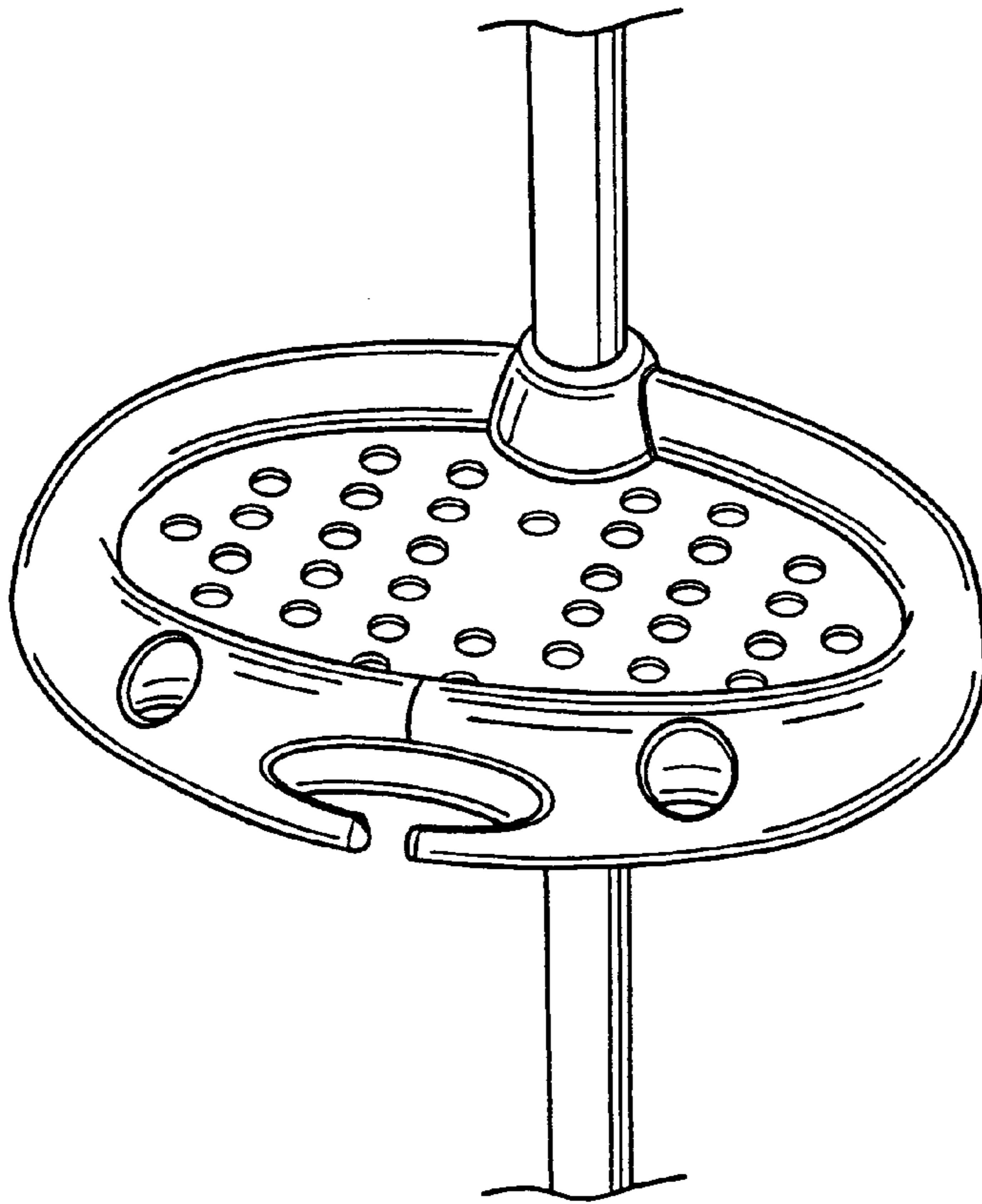


Figure - 1

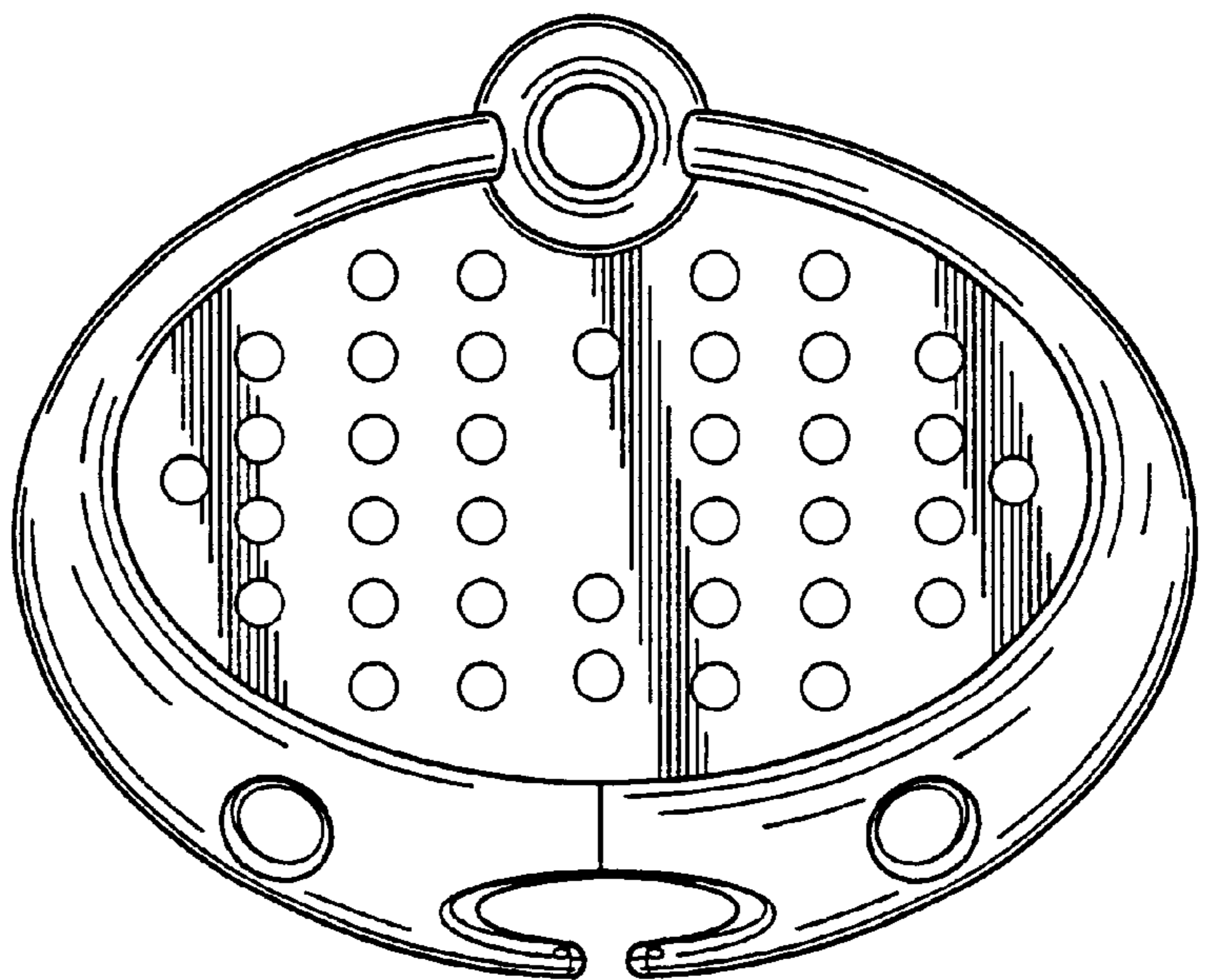


Figure - 2

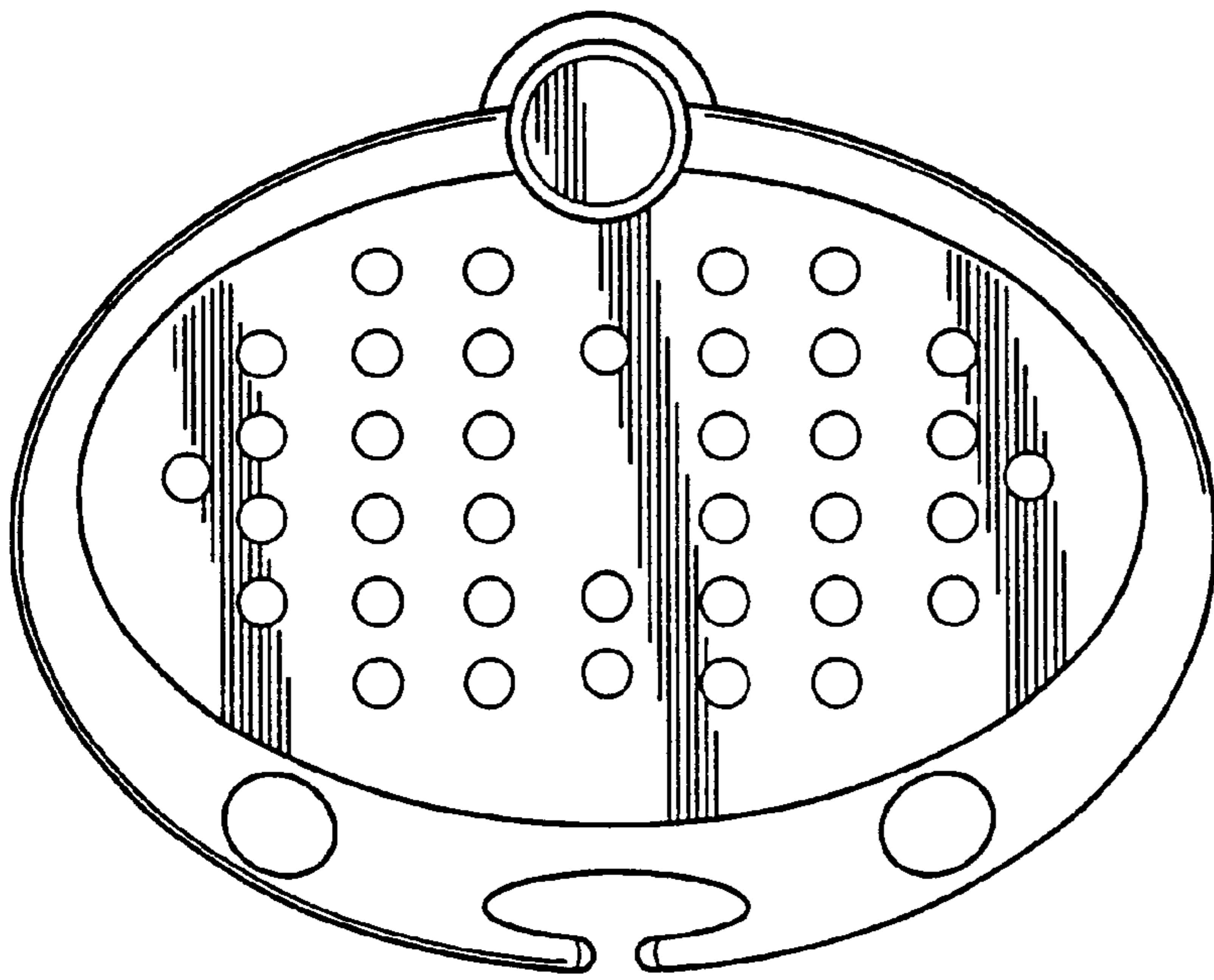


Figure - 3

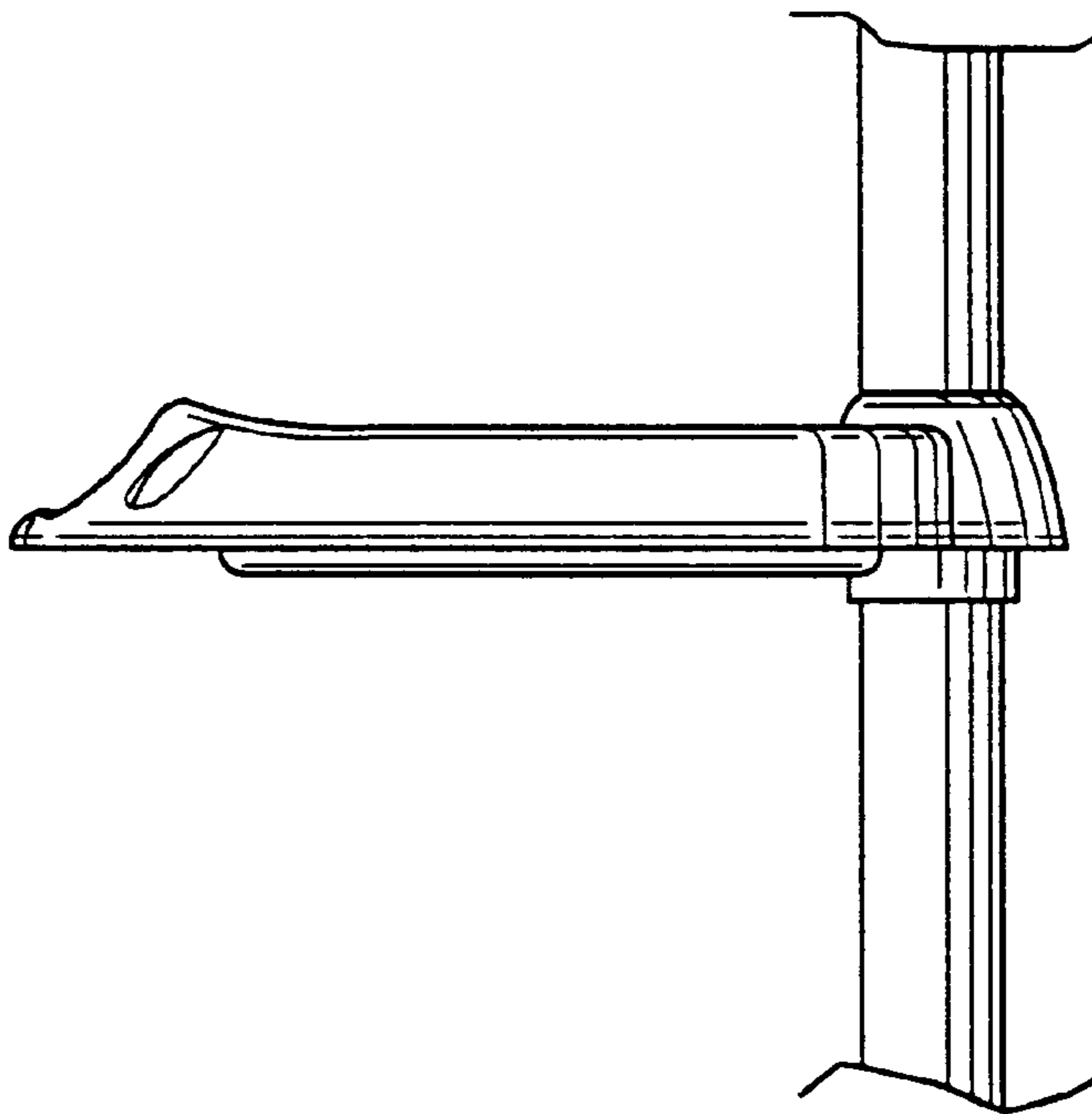


Figure - 4

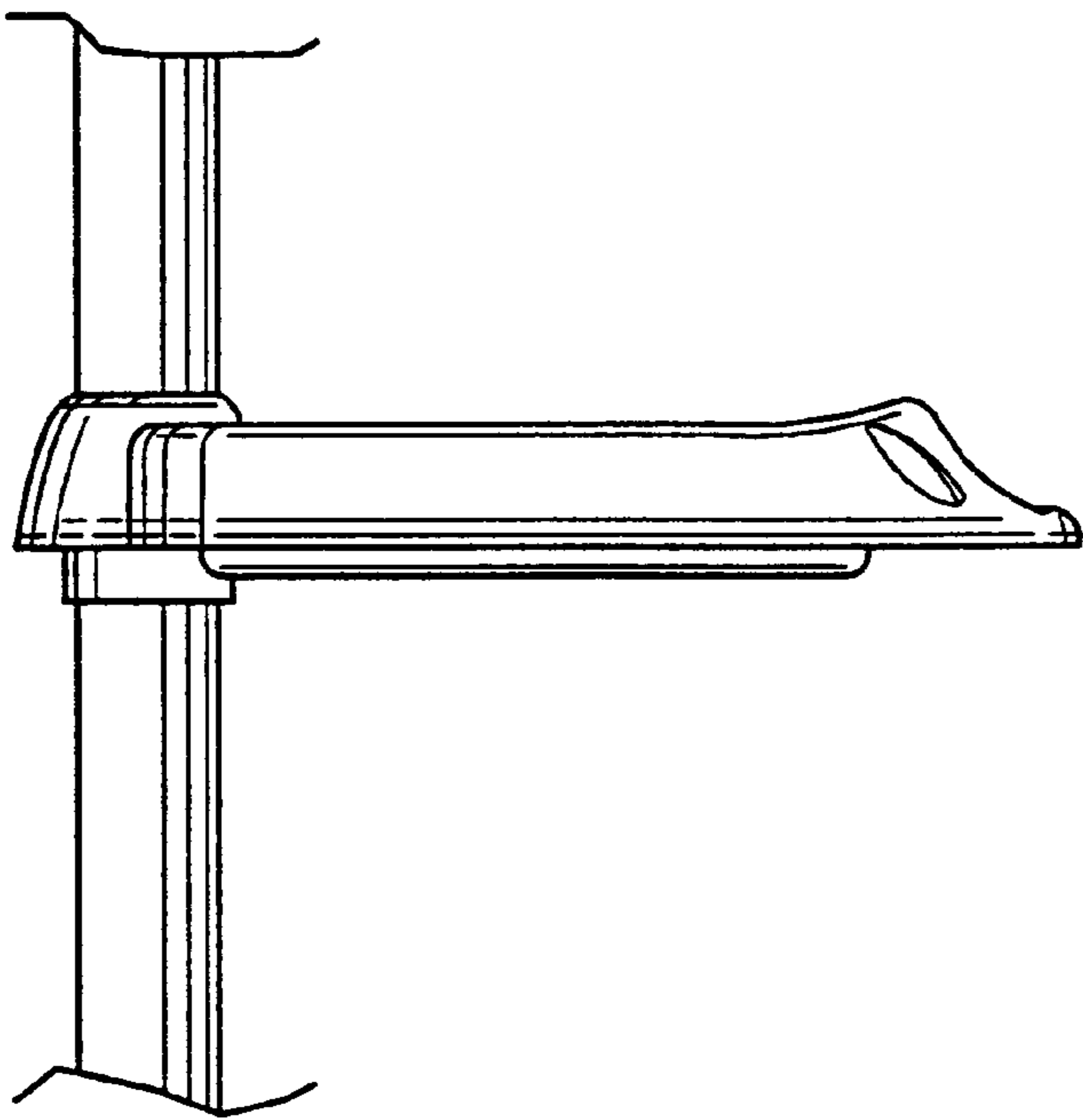


Figure - 5

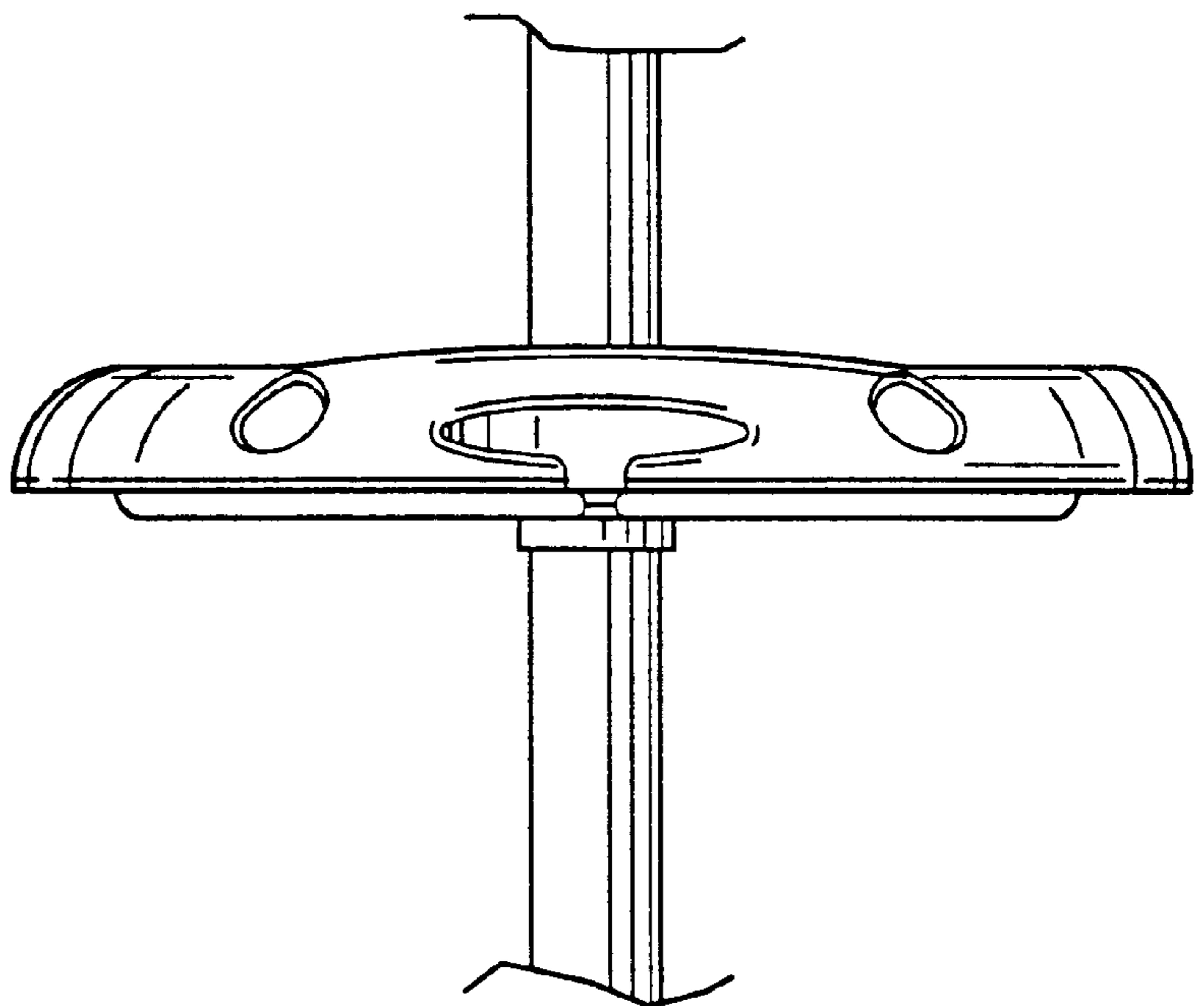


Figure - 6

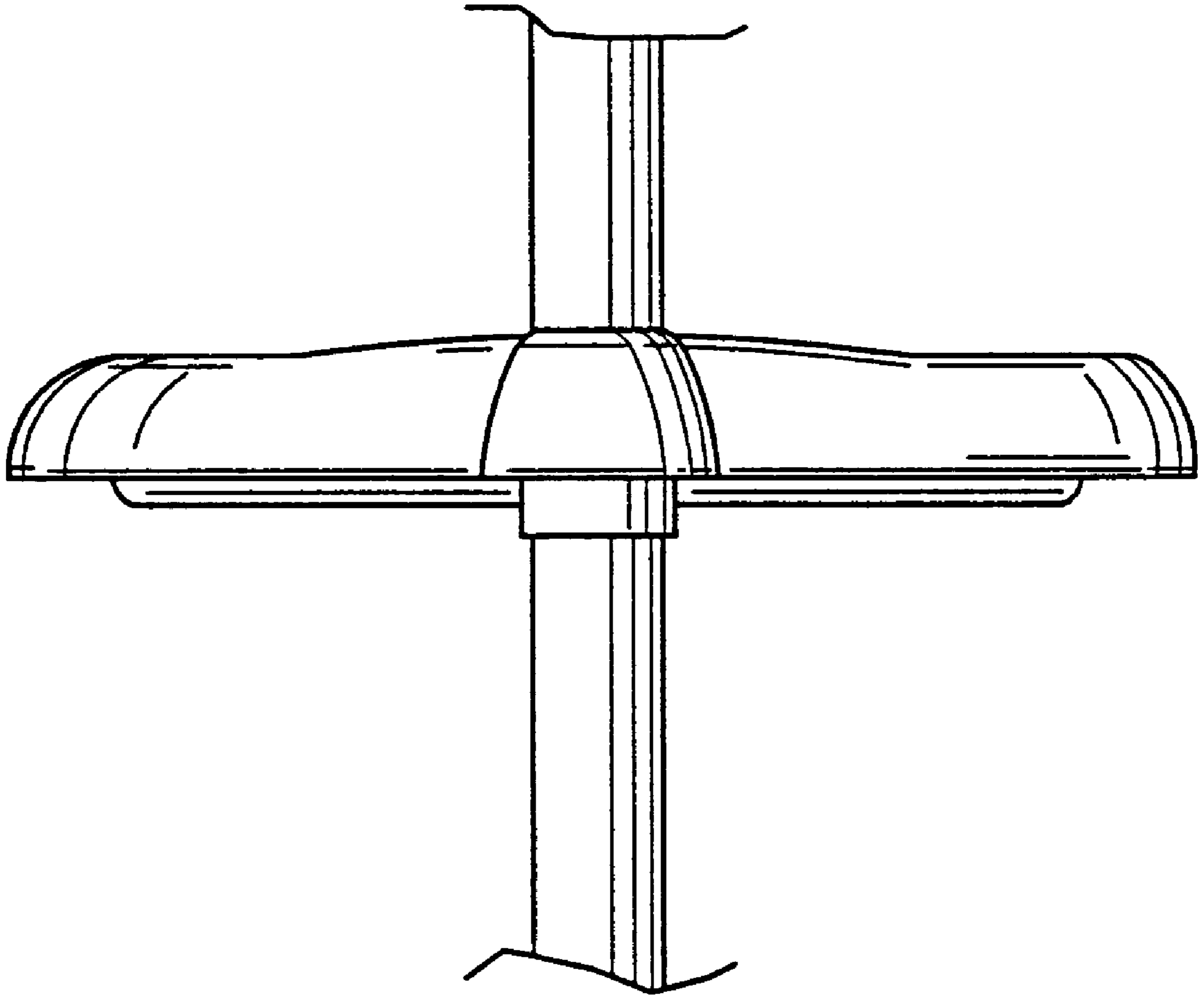


Figure -7