



US00D475226S

(12) **United States Design Patent**
Wagner

(10) **Patent No.:** **US D475,226 S**

(45) **Date of Patent:** **** Jun. 3, 2003**

(54) **NAPPY DISPENSER**

D369,249 S * 4/1996 Loew D6/515 X
D371,707 S * 7/1996 Miles D6/515

(75) Inventor: **Wolf Udo Wagner**, Frankfurt (DE)

* cited by examiner

(73) Assignee: **Michael Kohne** (DE)

Primary Examiner—Brian N. Vinson

(**) Term: **14 Years**

(57) **CLAIM**

(21) Appl. No.: **29/162,367**

The ornamental design for a nappy dispenser, as shown and described.

(22) Filed: **Jun. 17, 2002**

(30) **Foreign Application Priority Data**

DESCRIPTION

Dec. 15, 2001 (DE) 401 11 051

(51) **LOC (7) Cl.** **23-02**

(52) **U.S. Cl.** **D6/515**

(58) **Field of Search** D6/515, 518; 206/233,
206/554, 812, 823; 211/13.1, 16, 45; 221/33,
45, 92, 282, 283; 222/173, 180, 181.1,
181.2, 181.3

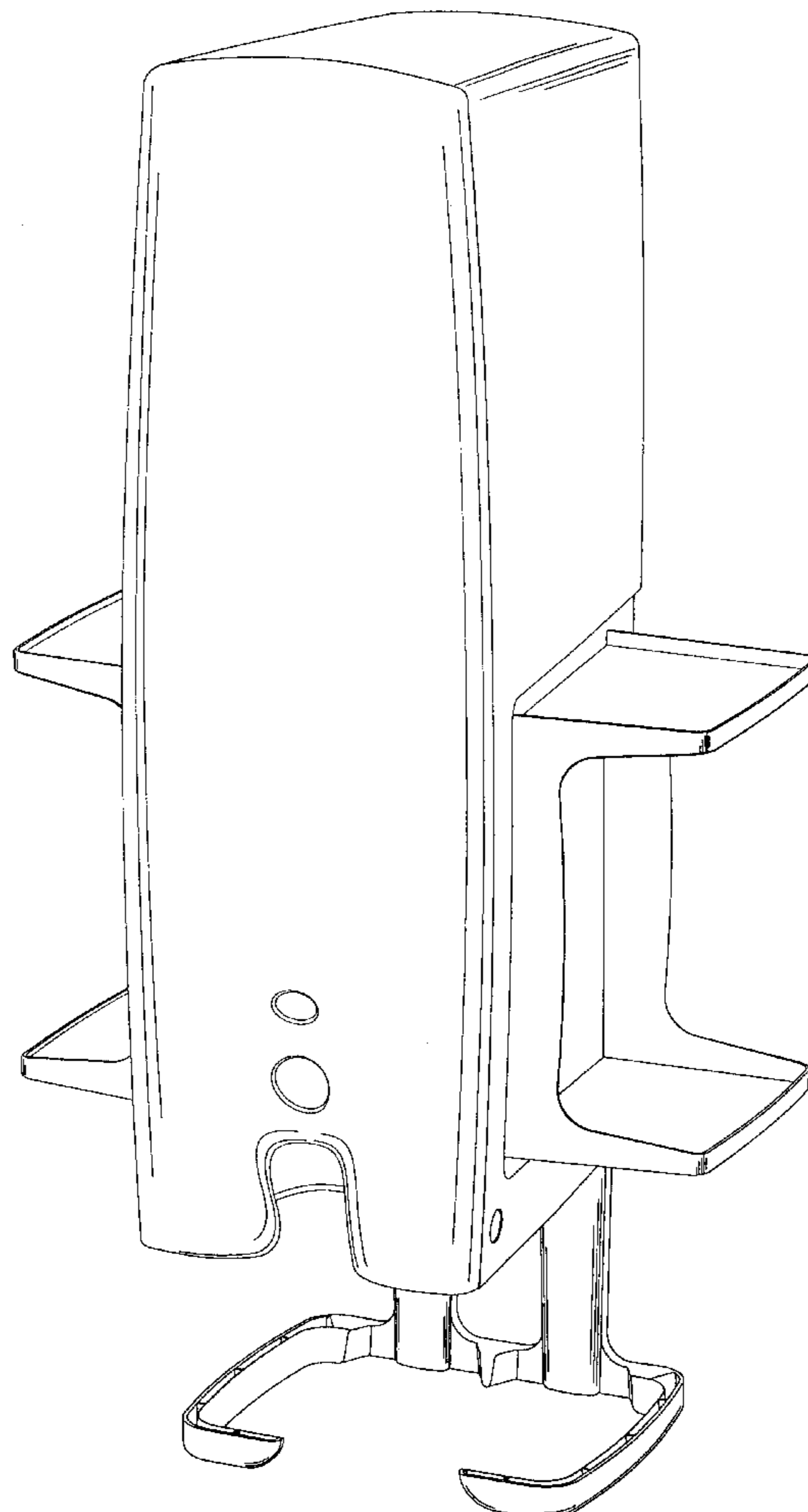
FIG. 1 is a front perspective view thereof;
FIG. 2 is a front view in elevation thereof;
FIG. 3 is a rear view in elevation thereof;
FIG. 4 is a top view in plan thereof;
FIG. 5 is a bottom view in plan thereof;
FIG. 6 is a left side view in elevation thereof; and,
FIG. 7 is a right side view in elevation thereof.

(56) **References Cited**

U.S. PATENT DOCUMENTS

D366,583 S * 1/1996 Scaife D6/515

1 Claim, 7 Drawing Sheets



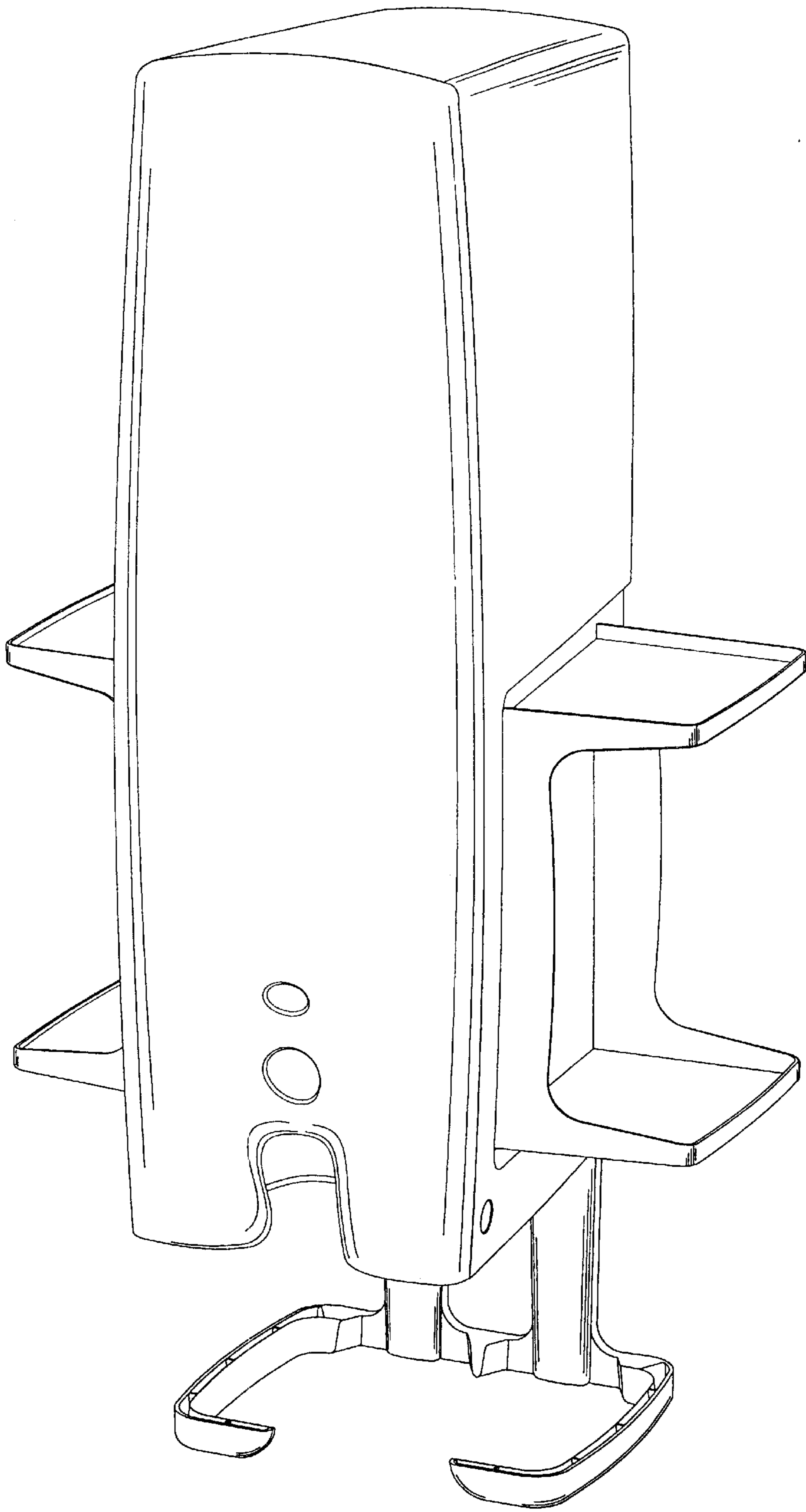


FIG.1

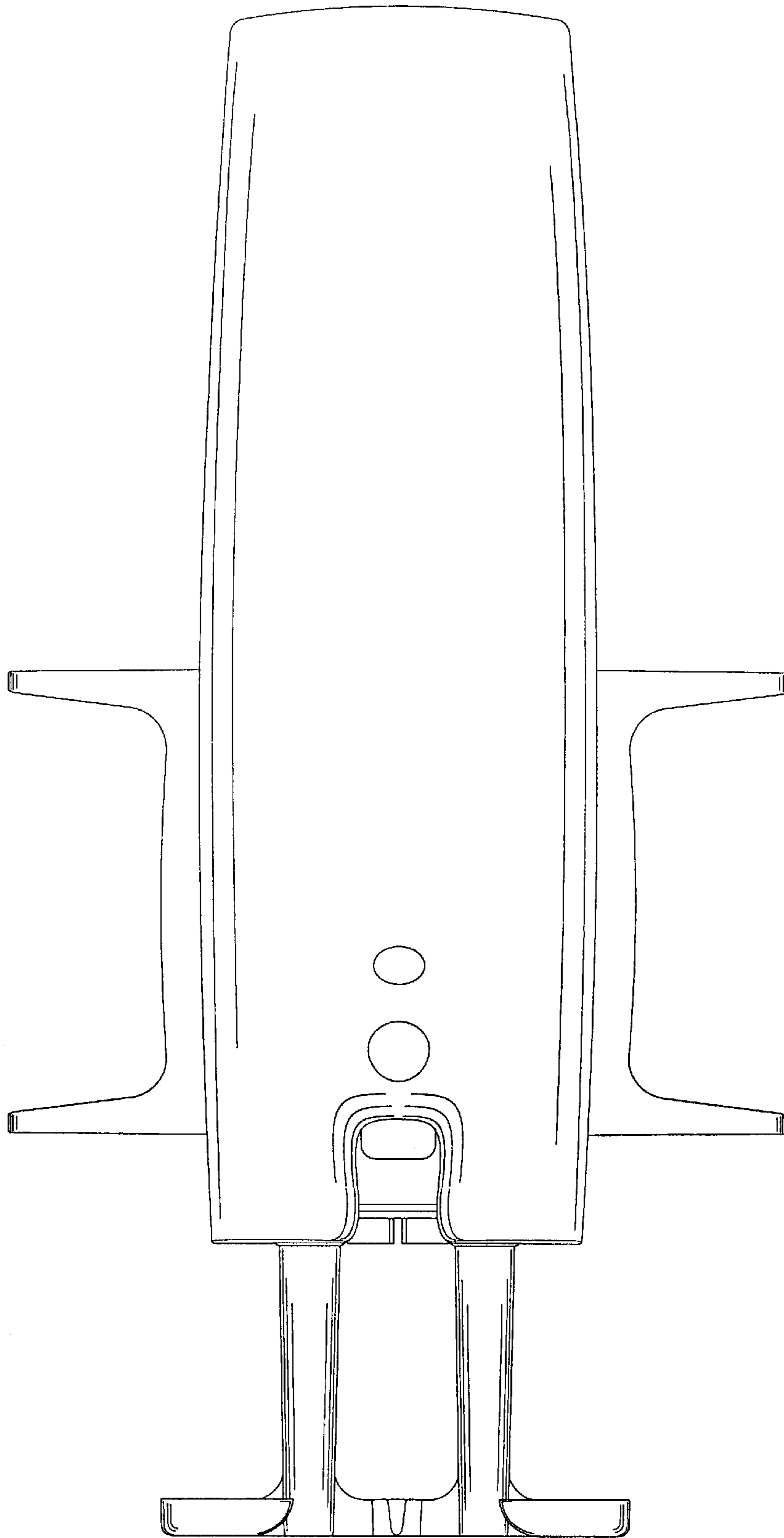


FIG.2

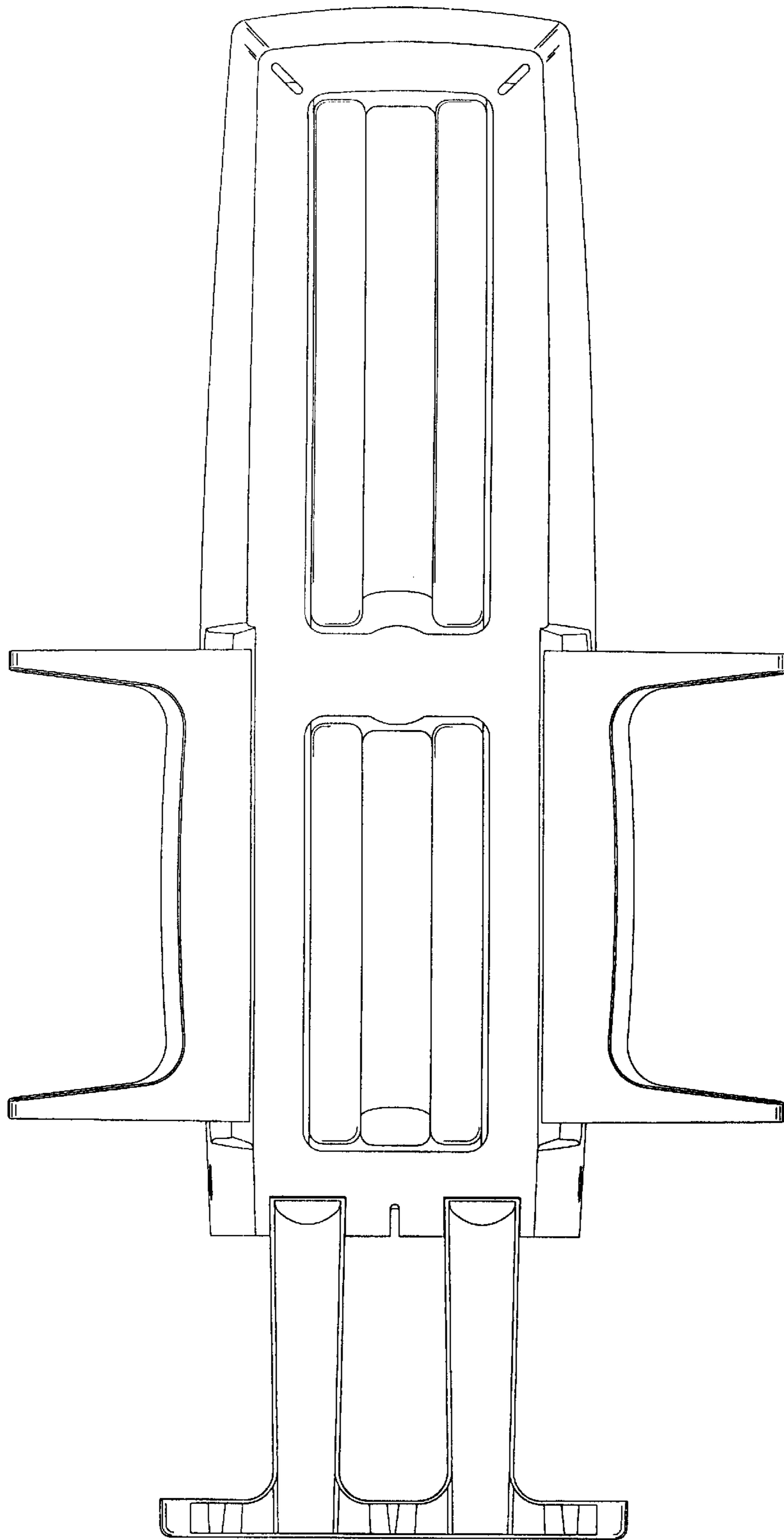


FIG.3

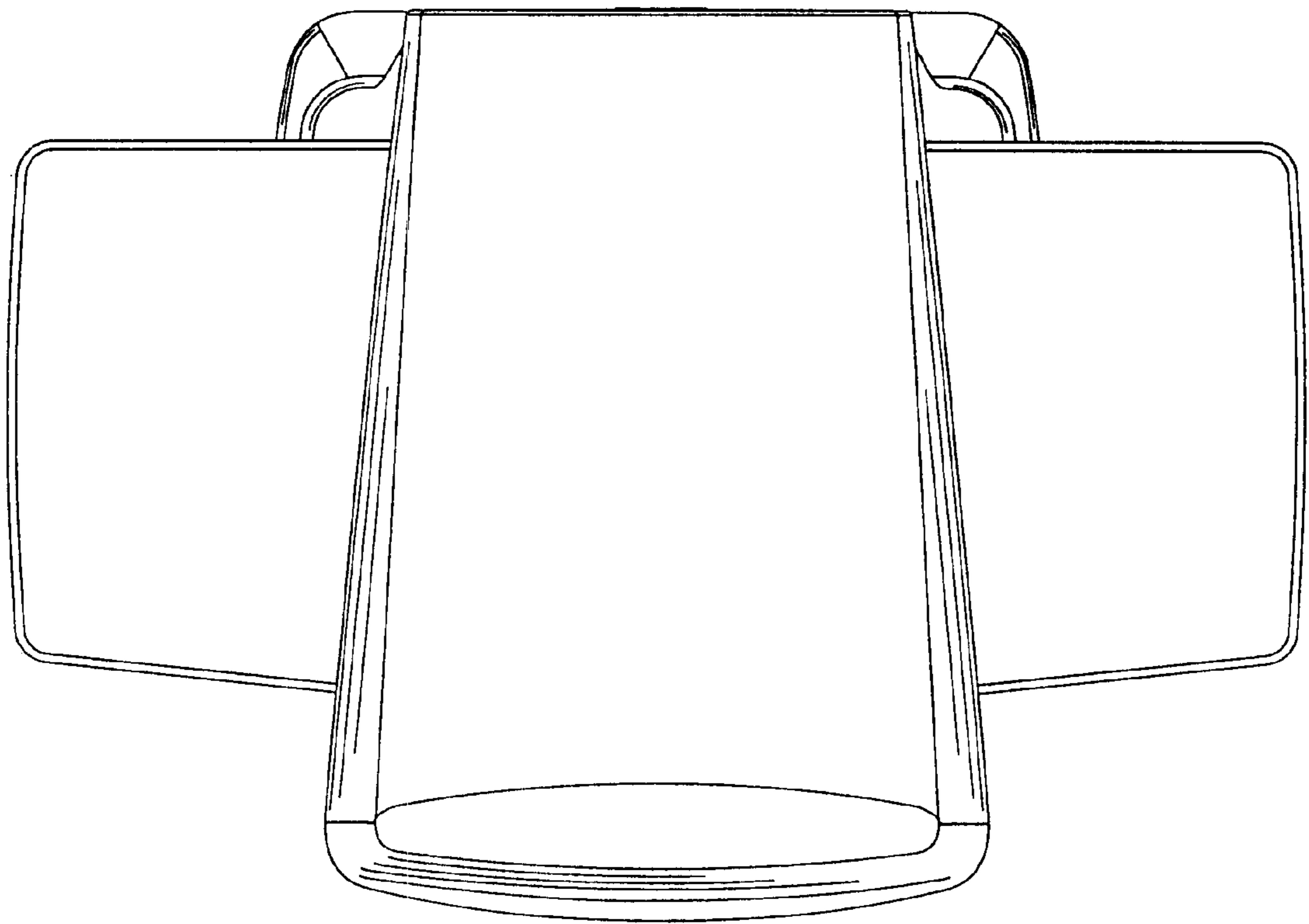


FIG.4

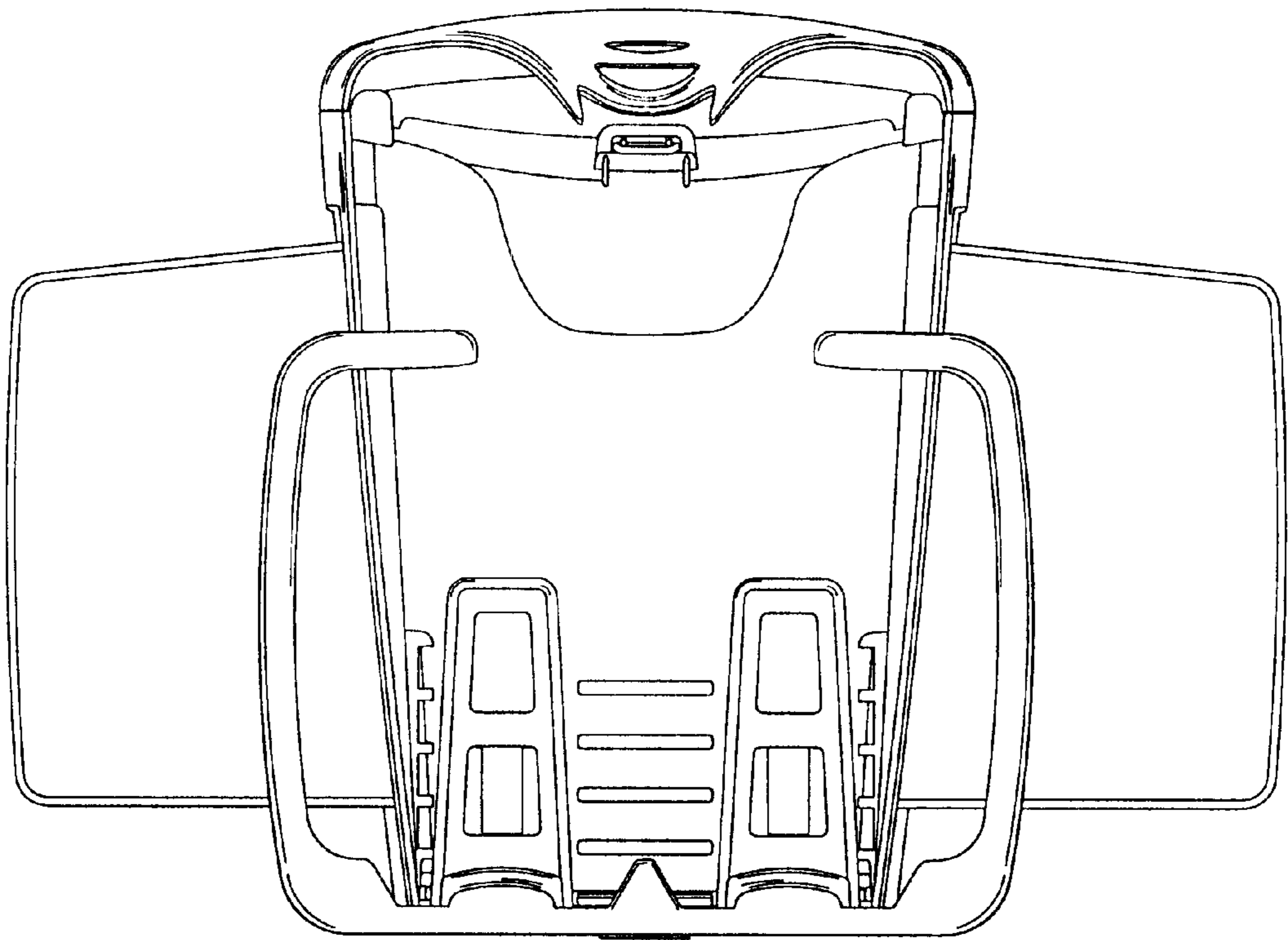


FIG.5

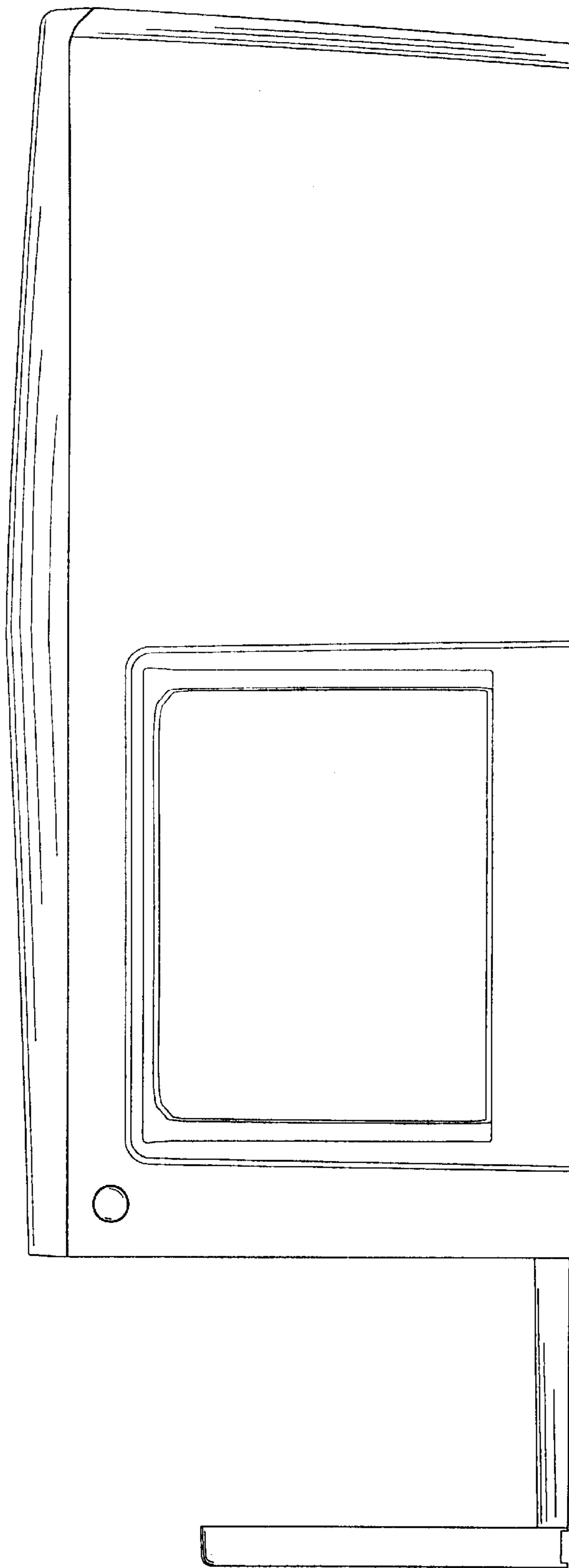


FIG.6

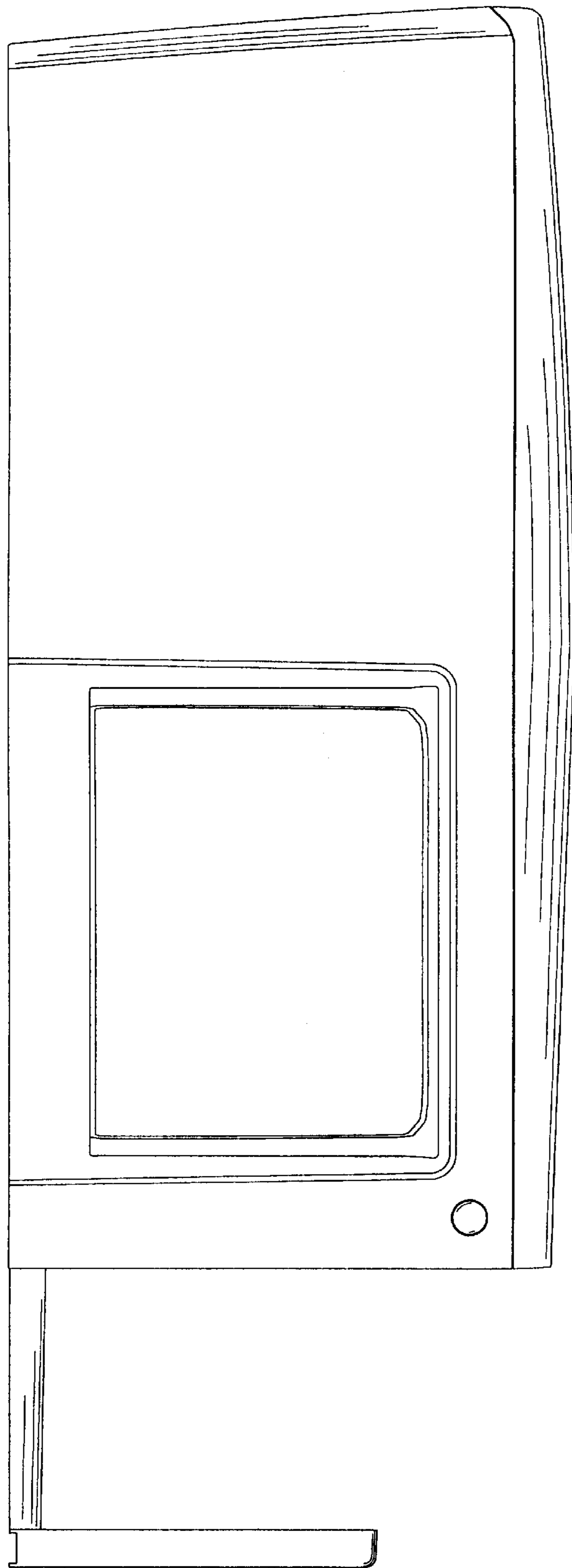


FIG.7