



US00D475225S

(12) **United States Design Patent**
McBrayer, Jr. et al.

(10) **Patent No.:** **US D475,225 S**

(45) **Date of Patent:** **** Jun. 3, 2003**

(54) **ASYMMETRICAL FURNITURE PULL**

D431,130 S * 9/2000 Thompson et al. D6/445
D458,780 S * 6/2002 Siepmann et al. D6/510

(75) Inventors: **John H. McBrayer, Jr.**, New Braunfels, TX (US); **John H. McBrayer, IV**, San Antonio, TX (US); **Coy E. Parker, Jr.**, San Antonio, TX (US); **Adam H. Reyes**, San Antonio, TX (US)

* cited by examiner

Primary Examiner—Cathron C. Brooks
(74) *Attorney, Agent, or Firm*—Jackson Walker L.L.P.

(73) Assignee: **KLN Steel Products Company, Ltd.**, San Antonio, TX (US)

(57) **CLAIM**

The ornamental design for a asymmetrical furniture pull, as shown and described.

(**) Term: **14 Years**

DESCRIPTION

(21) Appl. No.: **29/160,833**

FIG. 1 is a front, left side perspective view of a first embodiment of the asymmetrical furniture pull of my design, shown on an article of furniture.

(22) Filed: **May 16, 2002**

FIG. 2 illustrates a top plan view thereof.

(51) **LOC (7) Cl.** **06-06**

FIG. 3 illustrates a front elevation view thereof.

(52) **U.S. Cl.** **D6/510**

FIG. 4 illustrates a left side view thereof.

(58) **Field of Search** D6/491, 492, 509, D6/510, 445, 446; D8/313, 314; 312/249.8, 249.11, 293.2, 249.2, 204, 398.4

FIG. 5 illustrates a right side elevation view thereof.

FIG. 6 is a front, left side perspective view of a second embodiment of the asymmetrical furniture pull of my design, shown on an article of furniture.

(56) **References Cited**

U.S. PATENT DOCUMENTS

D287,676 S	*	1/1987	Christen	D6/446
D384,525 S	*	10/1997	McBrayer et al.	D6/446
D391,785 S	*	3/1998	Zaidman et al.	D6/445
D417,806 S	*	12/1999	Zaidman	D6/510
D424,833 S	*	5/2000	Zaidman	D6/446
D429,097 S	*	8/2000	Alcala et al.	D6/492

FIG. 7 shows a top plan view of the door of FIG. 6.

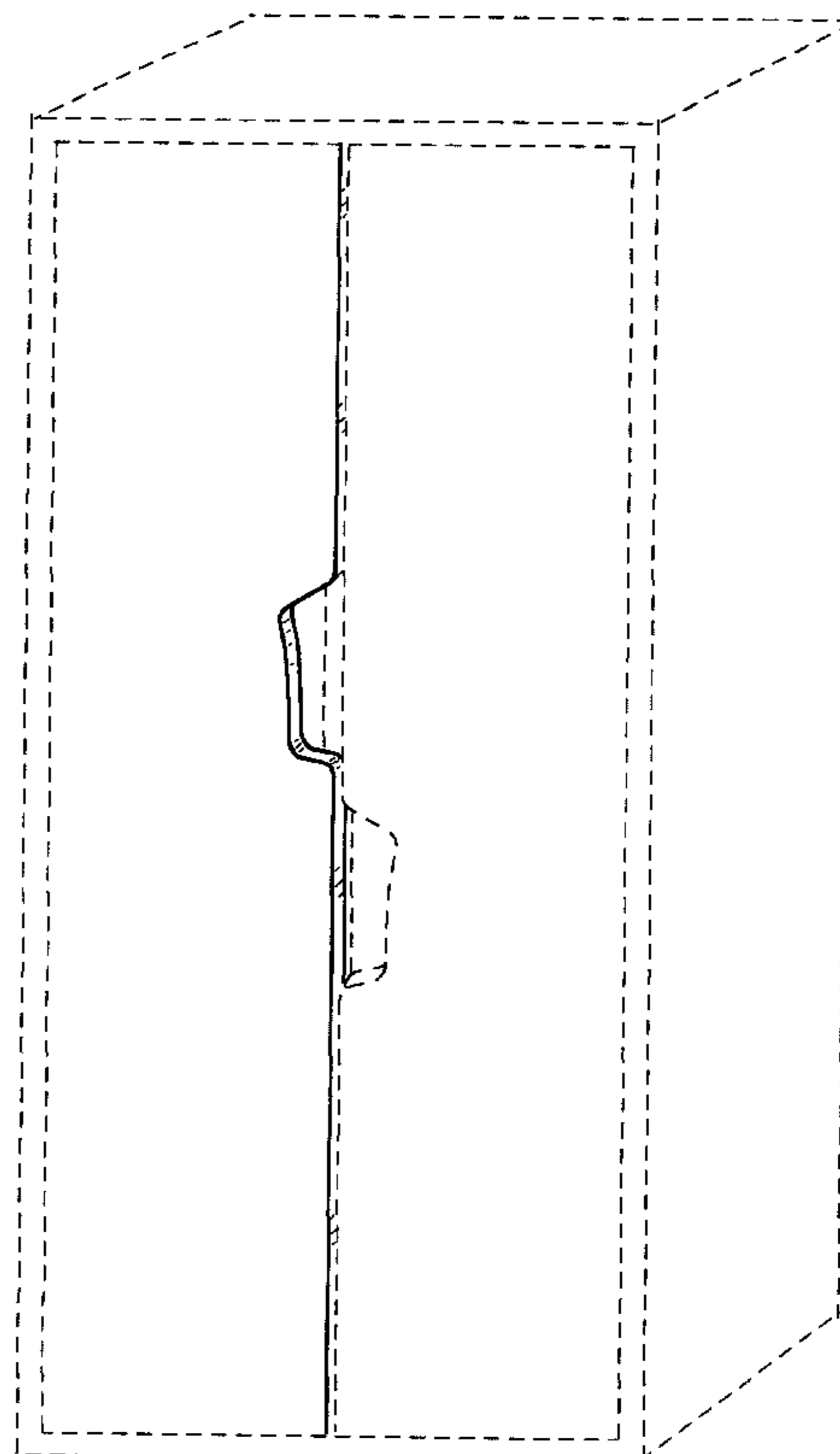
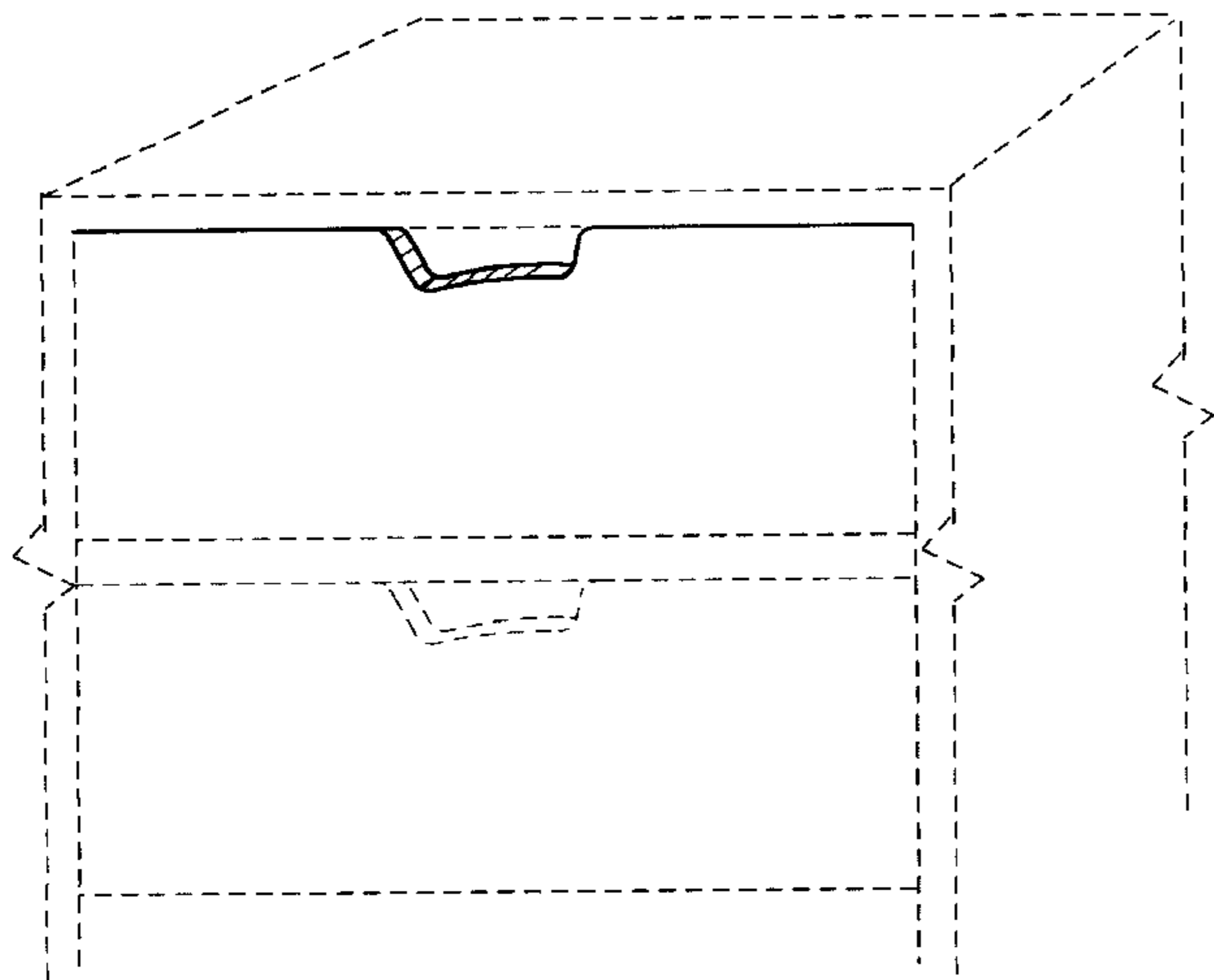
FIG. 8 shows a front elevation view of FIG. 6.

FIG. 9 illustrates a left side elevation view of the door of FIG. 6 showing my design; and,

FIG. 10 shows a bottom plan view of the door of FIG. 6.

The broken lines shown are for illustrative purposes only and form no part of the claimed design.

1 Claim, 3 Drawing Sheets



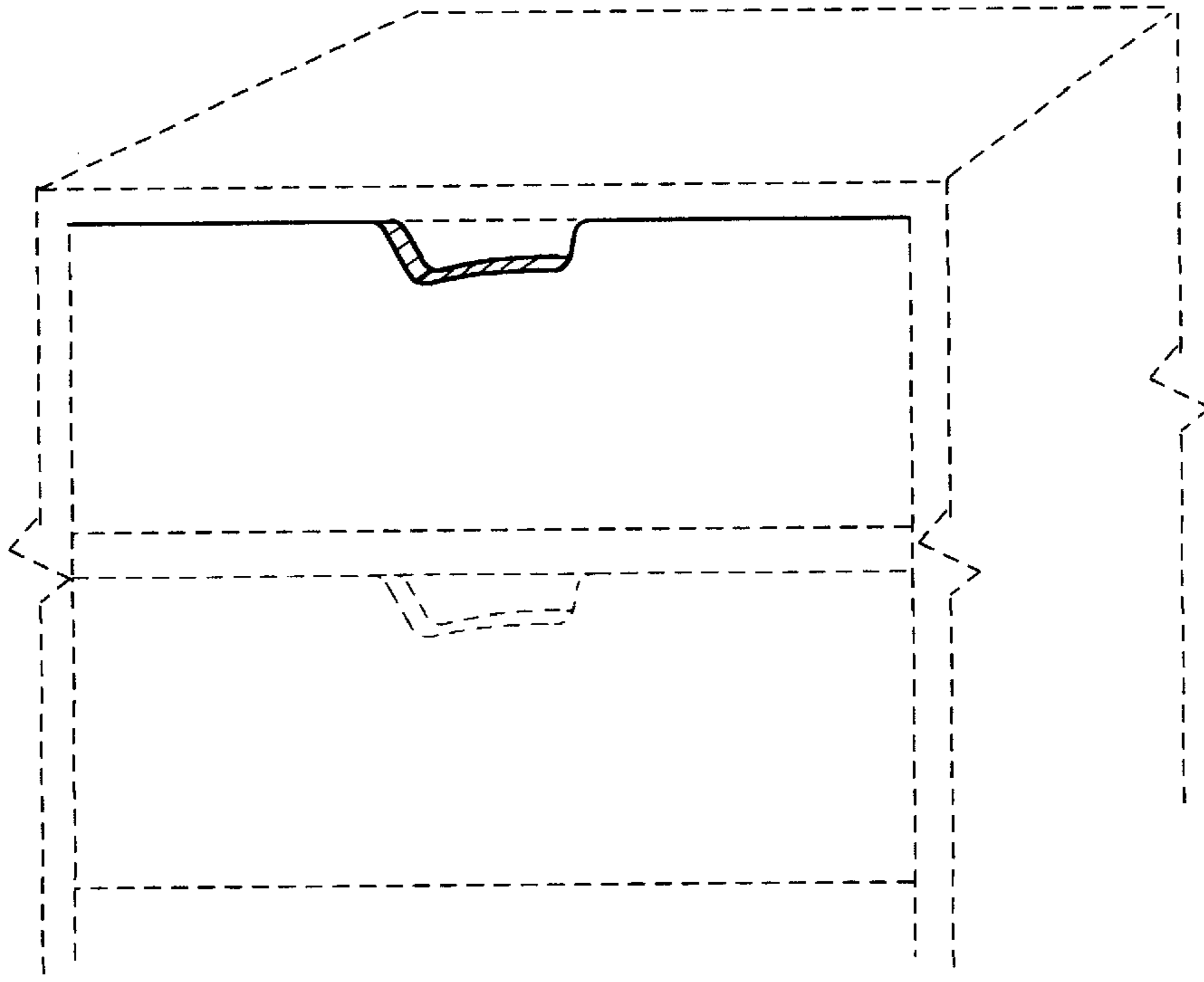


Fig. 1

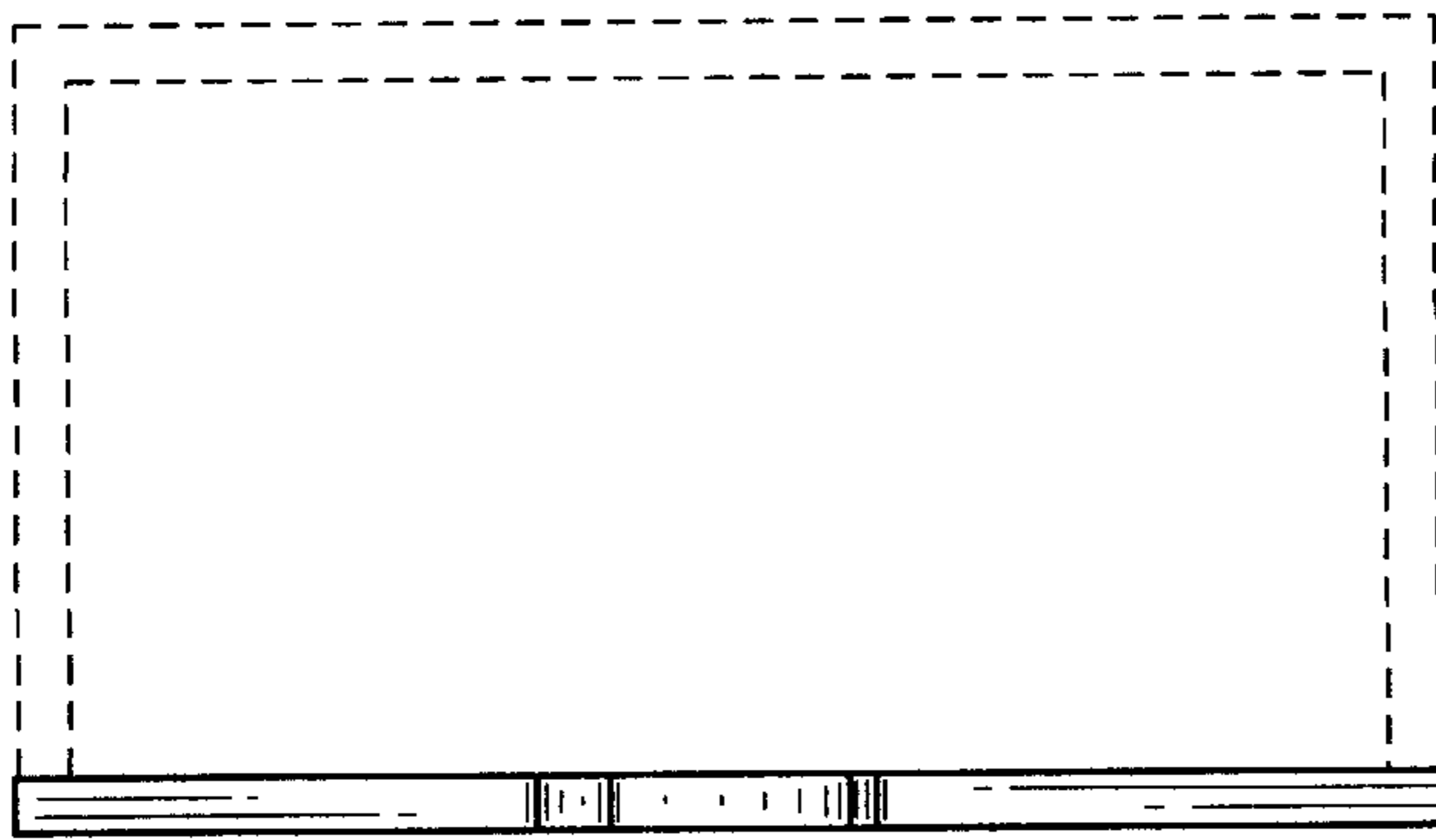


Fig. 2



Fig. 4

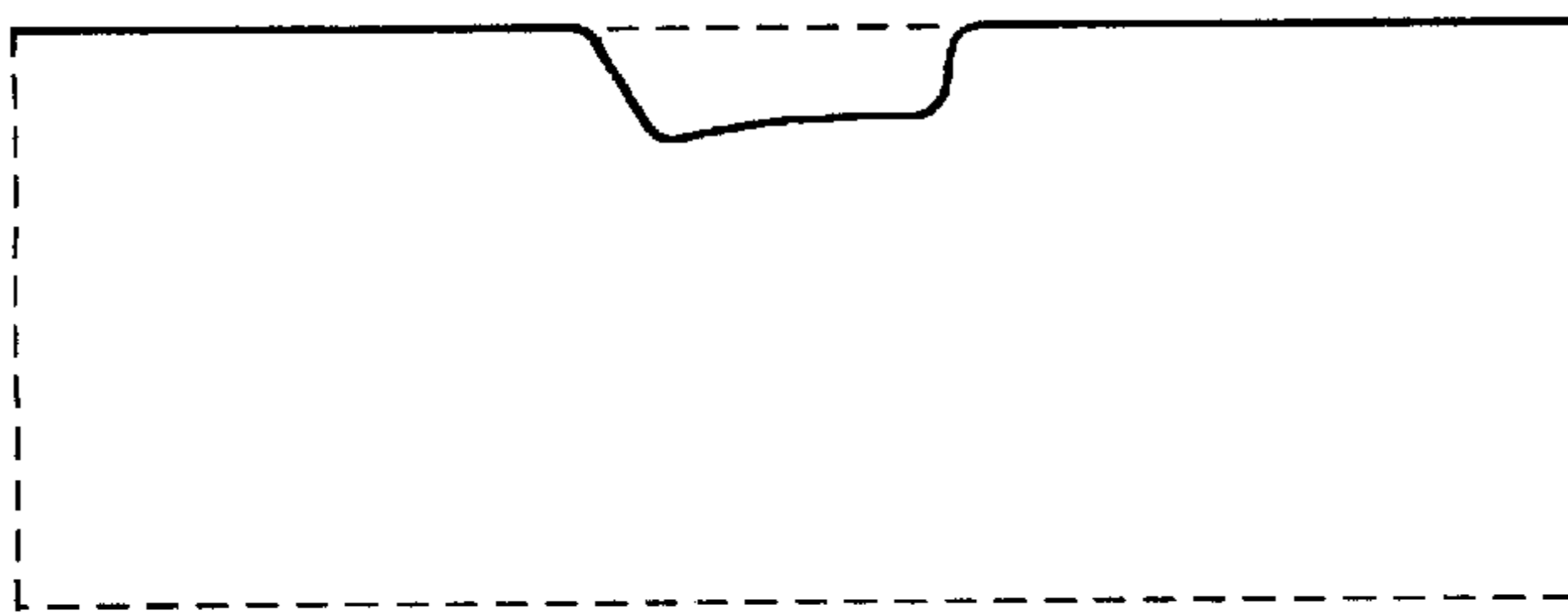


Fig. 3



Fig. 5

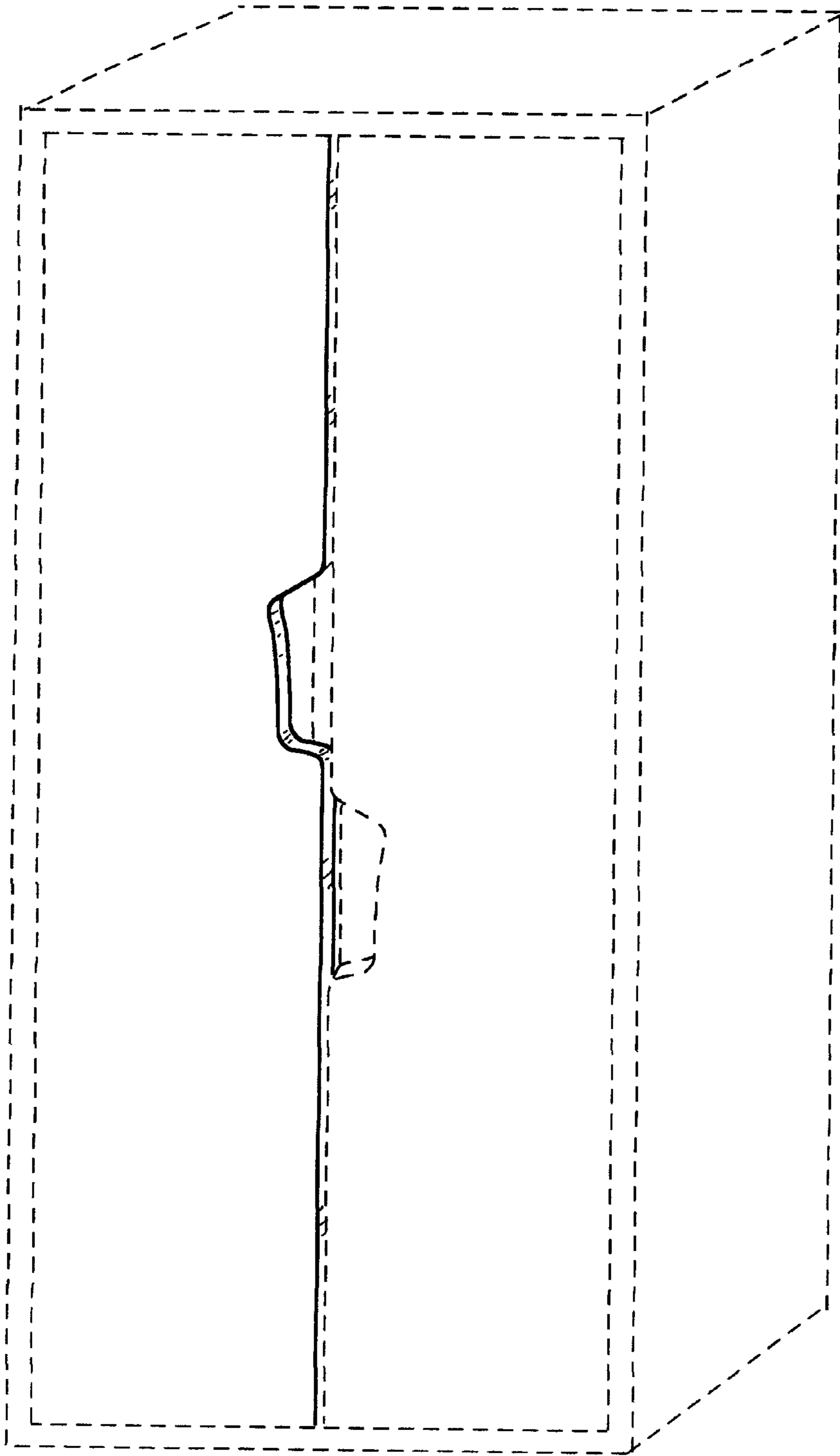


Fig. 6



Fig. 7

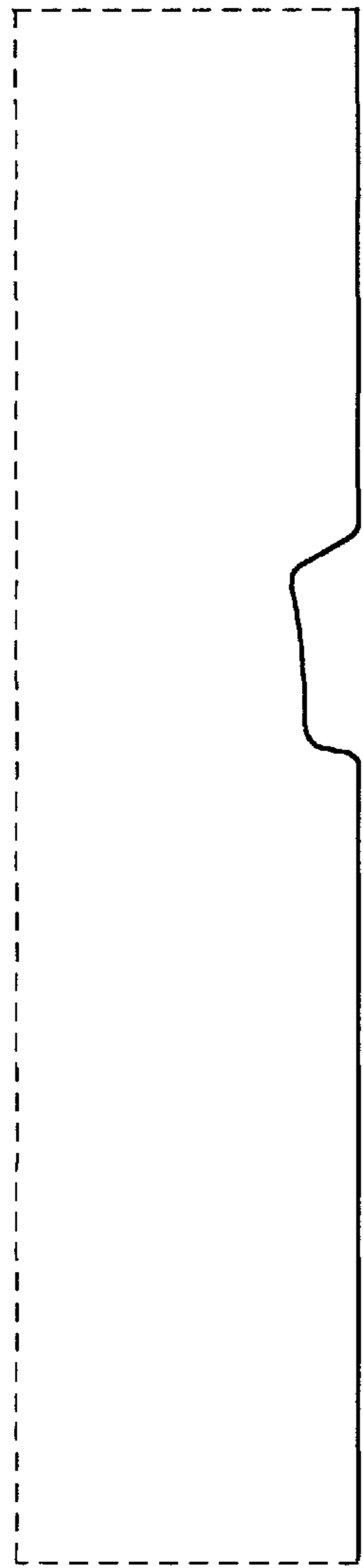


Fig. 8



Fig. 9

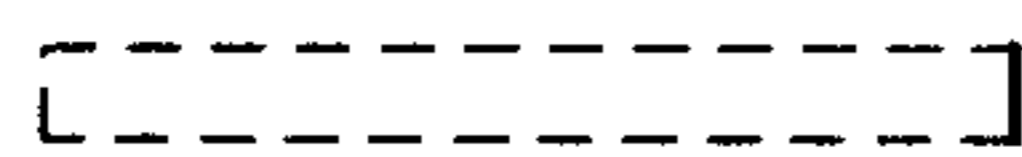


Fig. 10