



US00D475222S

(12) **United States Design Patent**
Brandon

(10) **Patent No.:** **US D475,222 S**

(45) **Date of Patent:** **** Jun. 3, 2003**

(54) **MULLION GLASS CABINET PANEL**

(75) Inventor: **John Brandon**, Attica, NY (US)

(73) Assignee: **Rutt Handcrafted Cabinetry, LLC**,
Goodville, PA (US)

(**) Term: **14 Years**

(21) Appl. No.: **29/160,692**

(22) Filed: **May 15, 2002**

(51) **LOC (7) Cl.** **06-06**

(52) **U.S. Cl.** **D6/494; D25/103**

(58) **Field of Search** D6/492, 494, 437,
D6/438, 439, 470; D25/103, 106, 109,
110, 138, 148, 160; 52/204.59; 428/38,
46

(56) **References Cited**

U.S. PATENT DOCUMENTS

D33,670 S	*	12/1900	Cummings	D25/103
D260,294 S	*	8/1981	Shaffer	D25/109
D260,295 S	*	8/1981	Shaffer	D25/109
D313,477 S	*	1/1991	Hall	D25/103
D388,635 S	*	1/1998	Mohundro	D6/438
D390,043 S	*	2/1998	Walters, III et al.	D6/438
D402,488 S	*	12/1998	Paus	D6/492

OTHER PUBLICATIONS

Thomasville Mahogany Collection, China Cabinet
14521-445, 1995.*

Thomasville Replicas 1800 Glass Door Unit 16941-821,
1984.*

* cited by examiner

Primary Examiner—Cathron C. Brooks

(74) *Attorney, Agent, or Firm*—Coats & Bennett, P.L.L.C.

(57) **CLAIM**

The ornamental design for a mullion glass cabinet panel, as shown and described.

DESCRIPTION

FIG. 1 is a front elevational view of another alternative design for the cabinet panel.

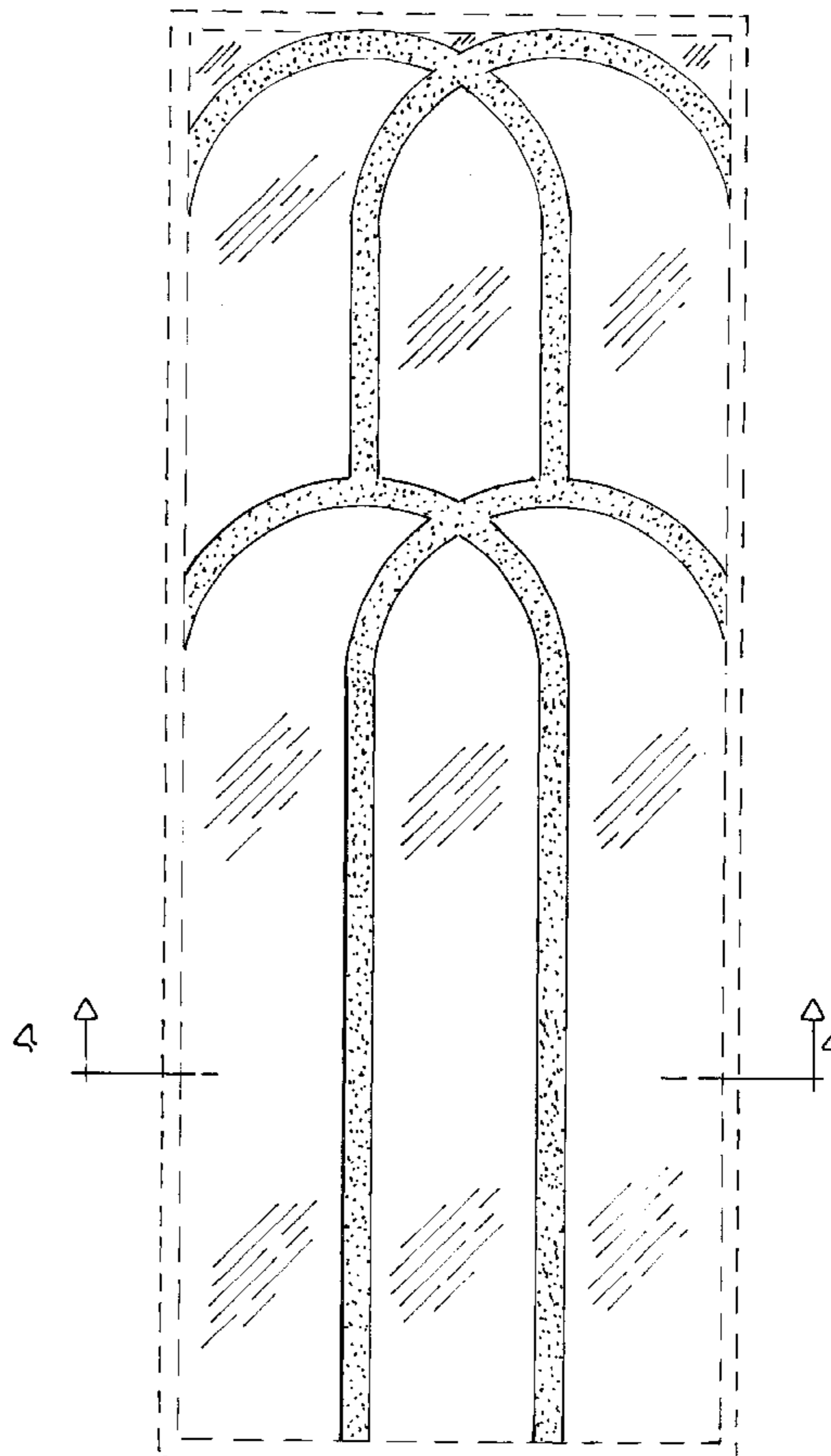
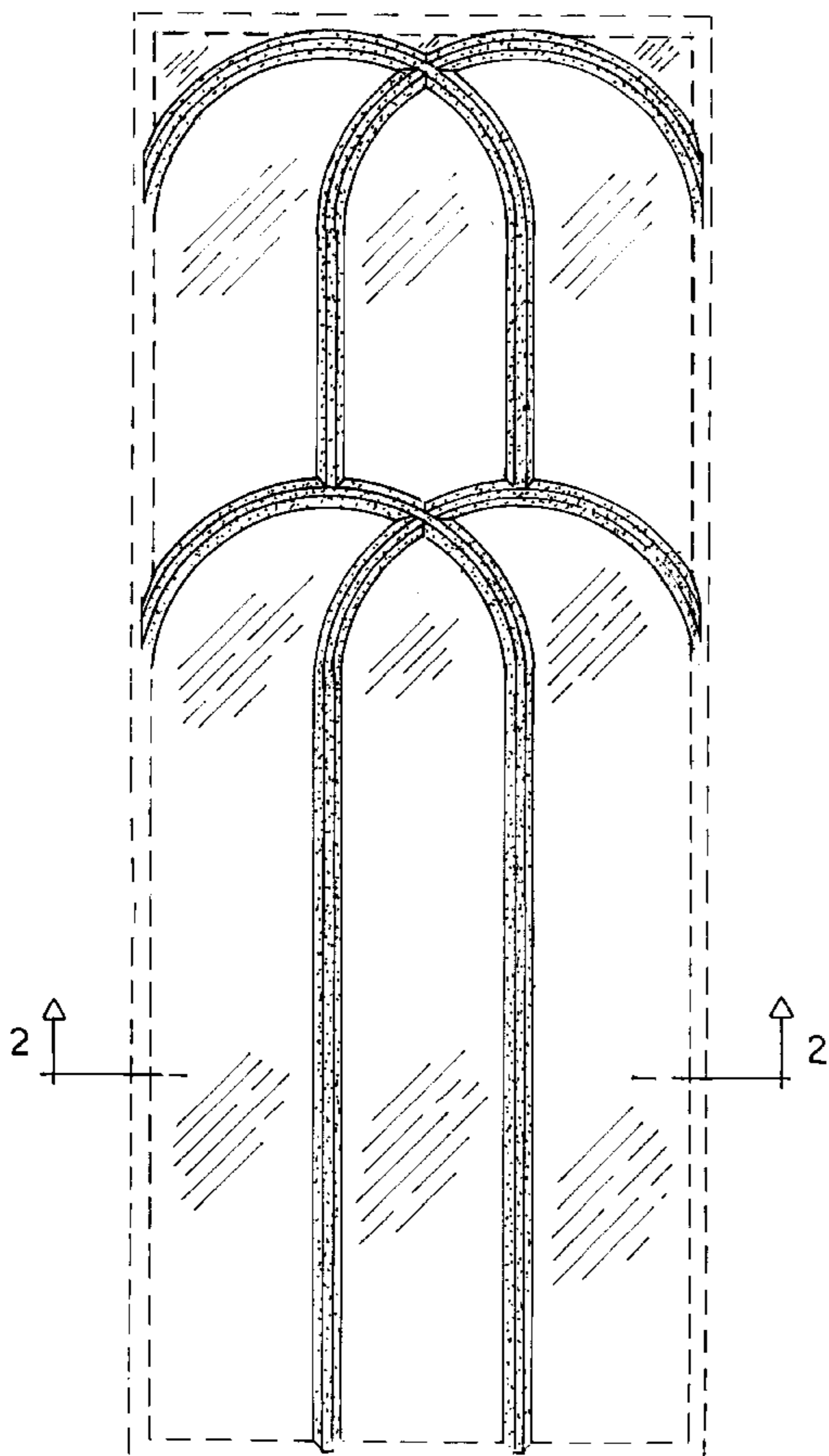
FIG. 2 is a sectional view taken through the lines 2—2 of FIG. 1.

FIG. 3 is a front elevational view of another alternative design for the cabinet panel; and,

FIG. 4 is a sectional view taken through the lines 4—4 of FIG. 3.

The broken lines in the drawings form no part of the claimed design.

1 Claim, 4 Drawing Sheets



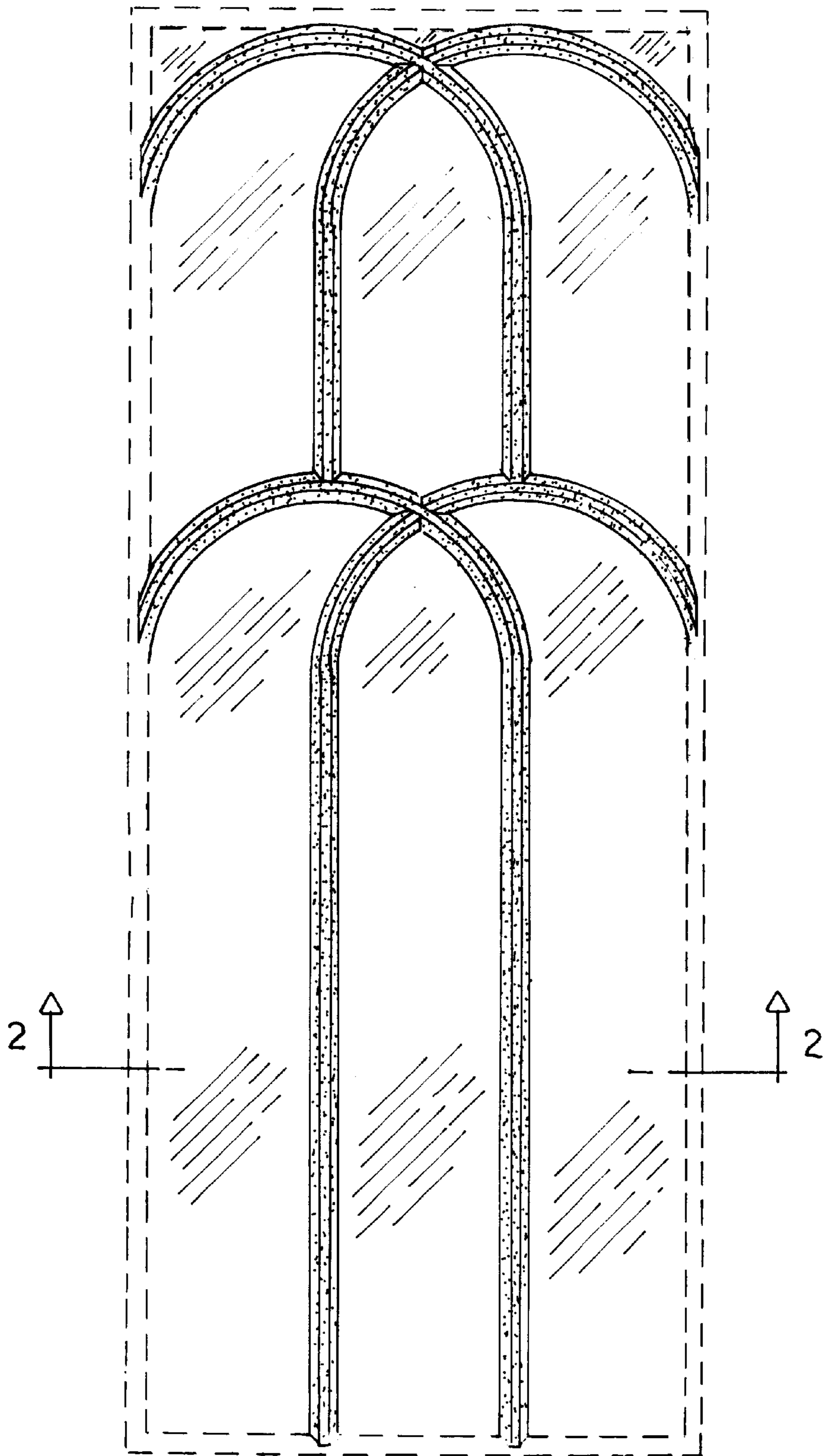


FIG. 1

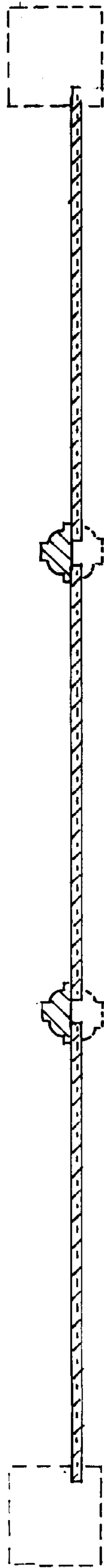


FIG. 2

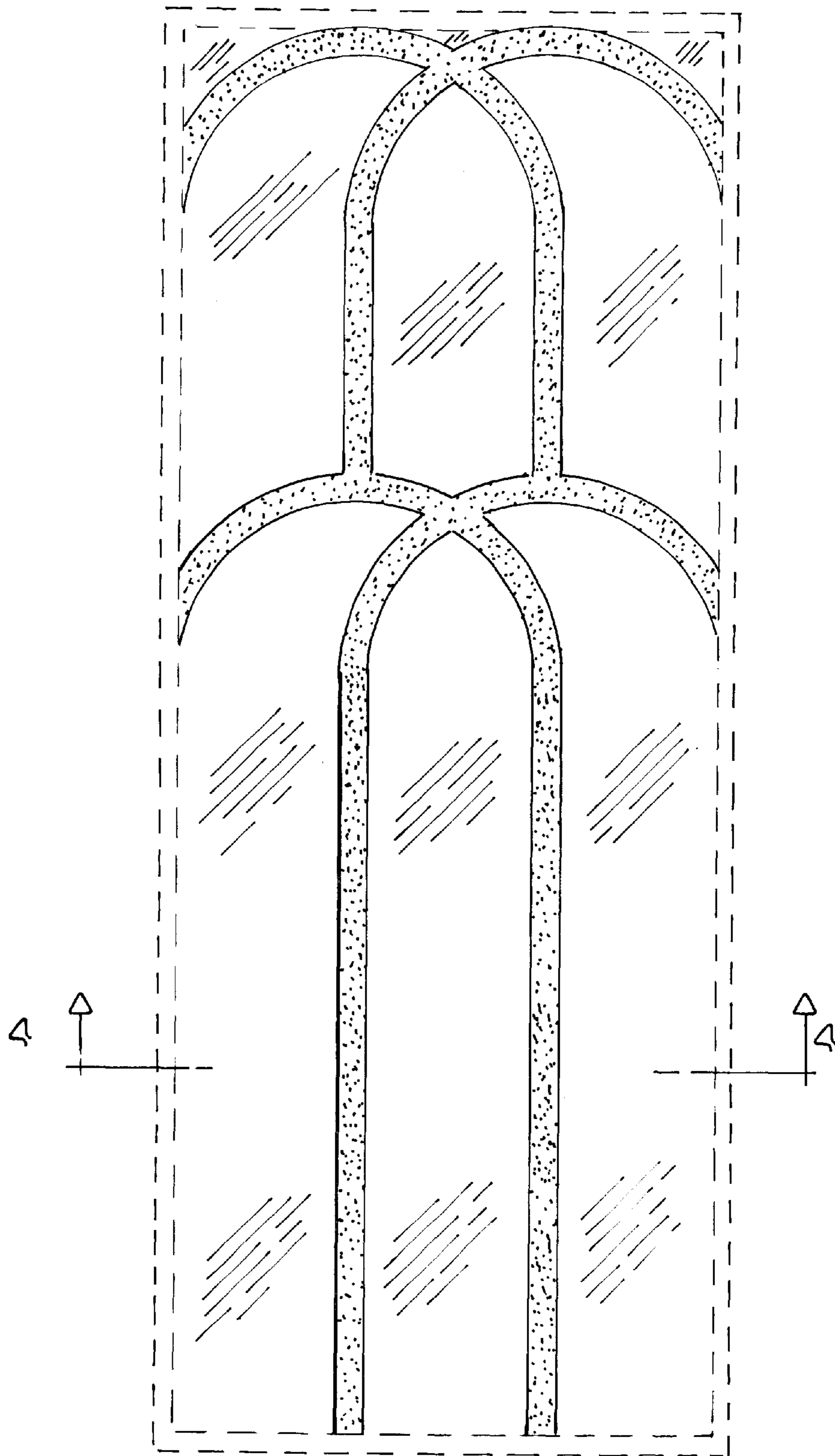


FIG. 3

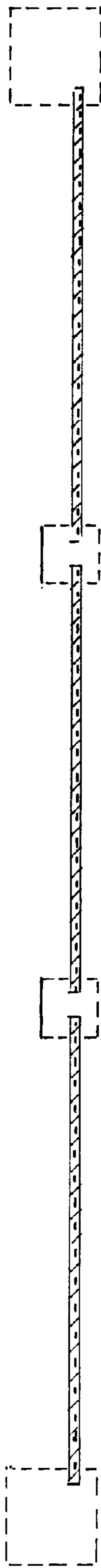


Fig. 4