



US00D475221S

(12) **United States Design Patent**
Chang

(10) **Patent No.:** **US D475,221 S**

(45) **Date of Patent:** **** Jun. 3, 2003**

(54) **CHAIR**

(76) **Inventor:** **Henry Lee Hung Chang**, 225 Ridge Ter., Olivenhain, CA (US) 92024

(**) **Term:** **14 Years**

(21) **Appl. No.:** **29/137,425**

(22) **Filed:** **Feb. 20, 2001**

(51) **LOC (7) Cl.** **06-06**

(52) **U.S. Cl.** **D6/492; D6/376**

(58) **Field of Search** D6/334, 335, 370, D6/374, 375, 376, 379, 380, 492, 500, 501, 502; 297/445.1, 448.1

(56) **References Cited**

U.S. PATENT DOCUMENTS

- D223,193 S * 3/1972 Chang D6/375
- D343,529 S * 1/1994 Sanders, Jr. D6/379
- D369,914 S * 5/1996 Kim et al. D6/370 X

OTHER PUBLICATIONS

Lloyd Chromium Furniture, p. 15, chair frame at left, ©1941.*

* cited by examiner

Primary Examiner—Gary D. Watson

(74) *Attorney, Agent, or Firm*—Fish & Richardson P.C.

(57) **CLAIM**

The ornamental design for a chair, as shown and described.

DESCRIPTION

FIG. 1 is a perspective view of one embodiment of a chair showing my new design;

FIG. 2 is a front elevational view thereof;

FIG. 3 is a rear elevational view thereof;

FIG. 4 is a left-side elevational view thereof;

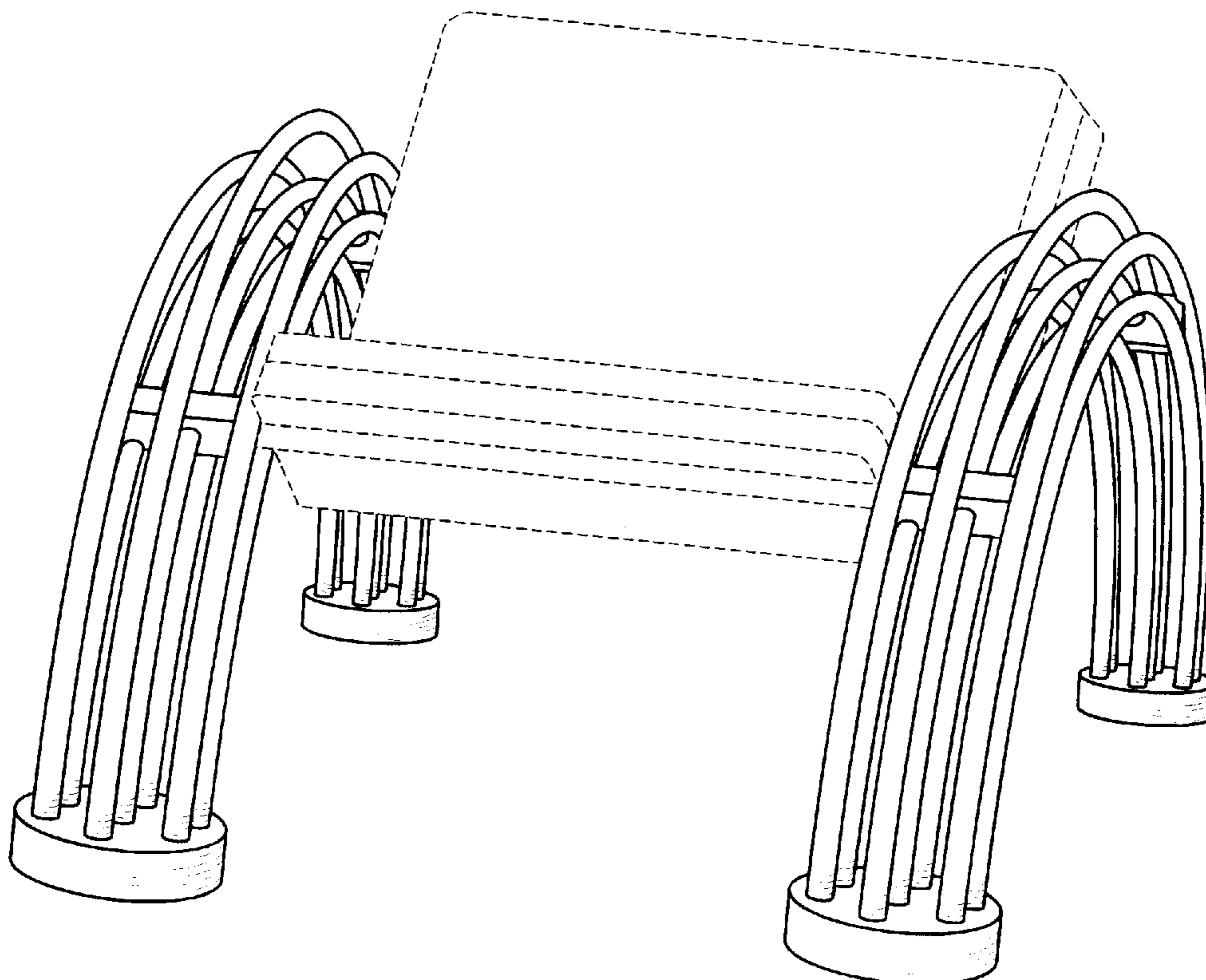
FIG. 5 is a right-side elevational view thereof;

FIG. 6 is a bottom plan view thereof; and,

FIG. 7 is a top plan view thereof.

The broken line disclosure in FIGS. 1–7 is for illustrative purposes only and forms no part of the claimed design.

1 Claim, 4 Drawing Sheets



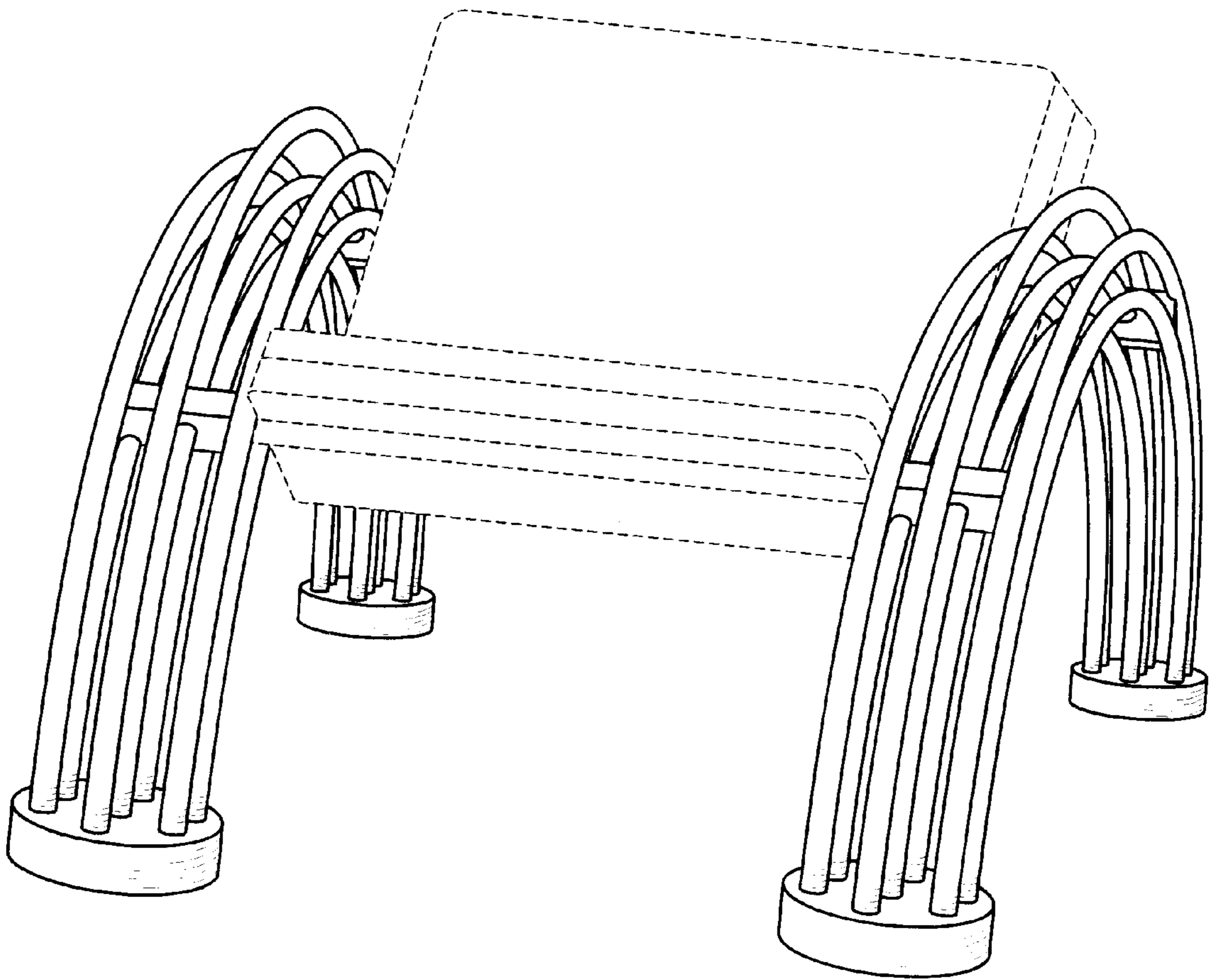


FIG. 1

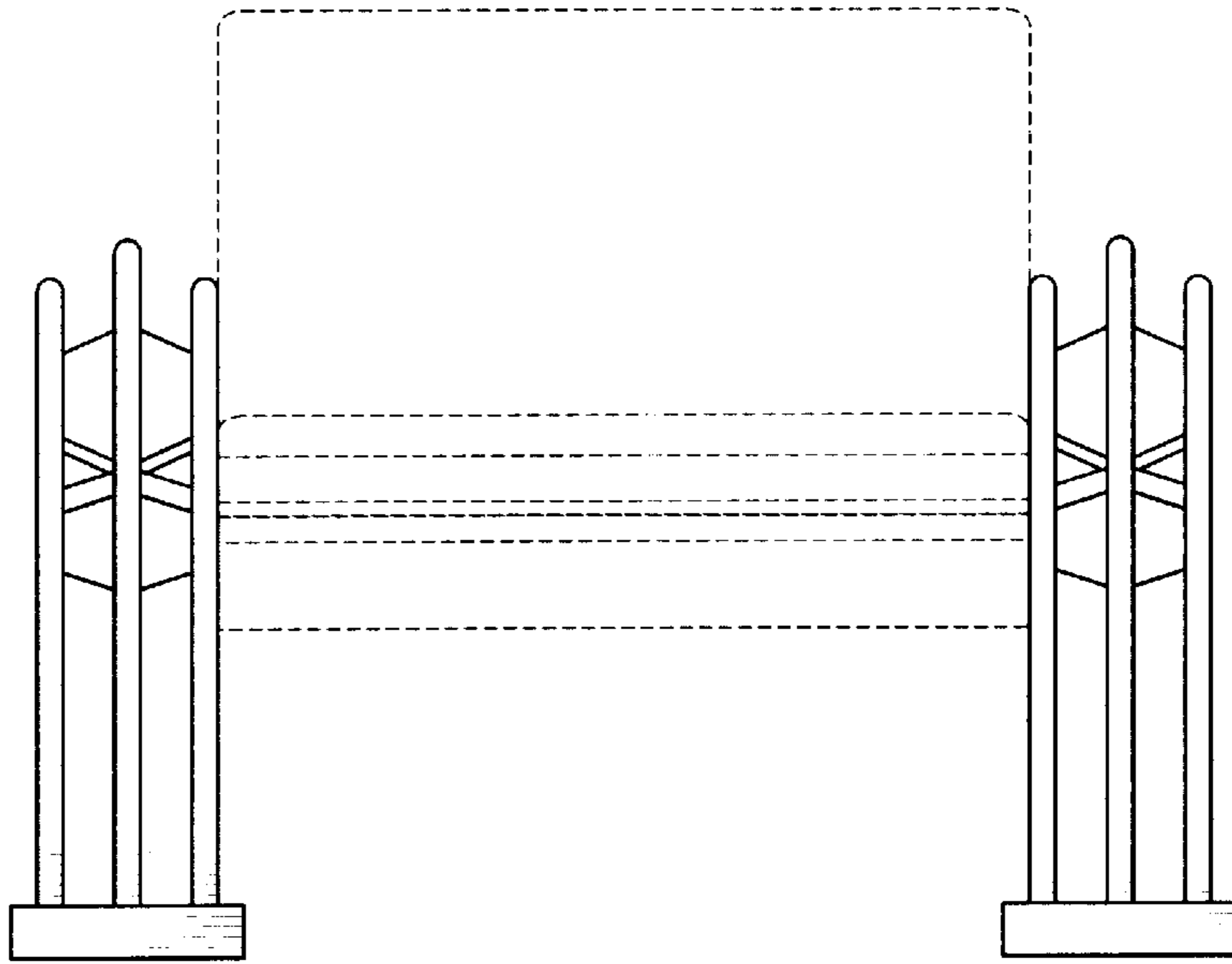


FIG. 2

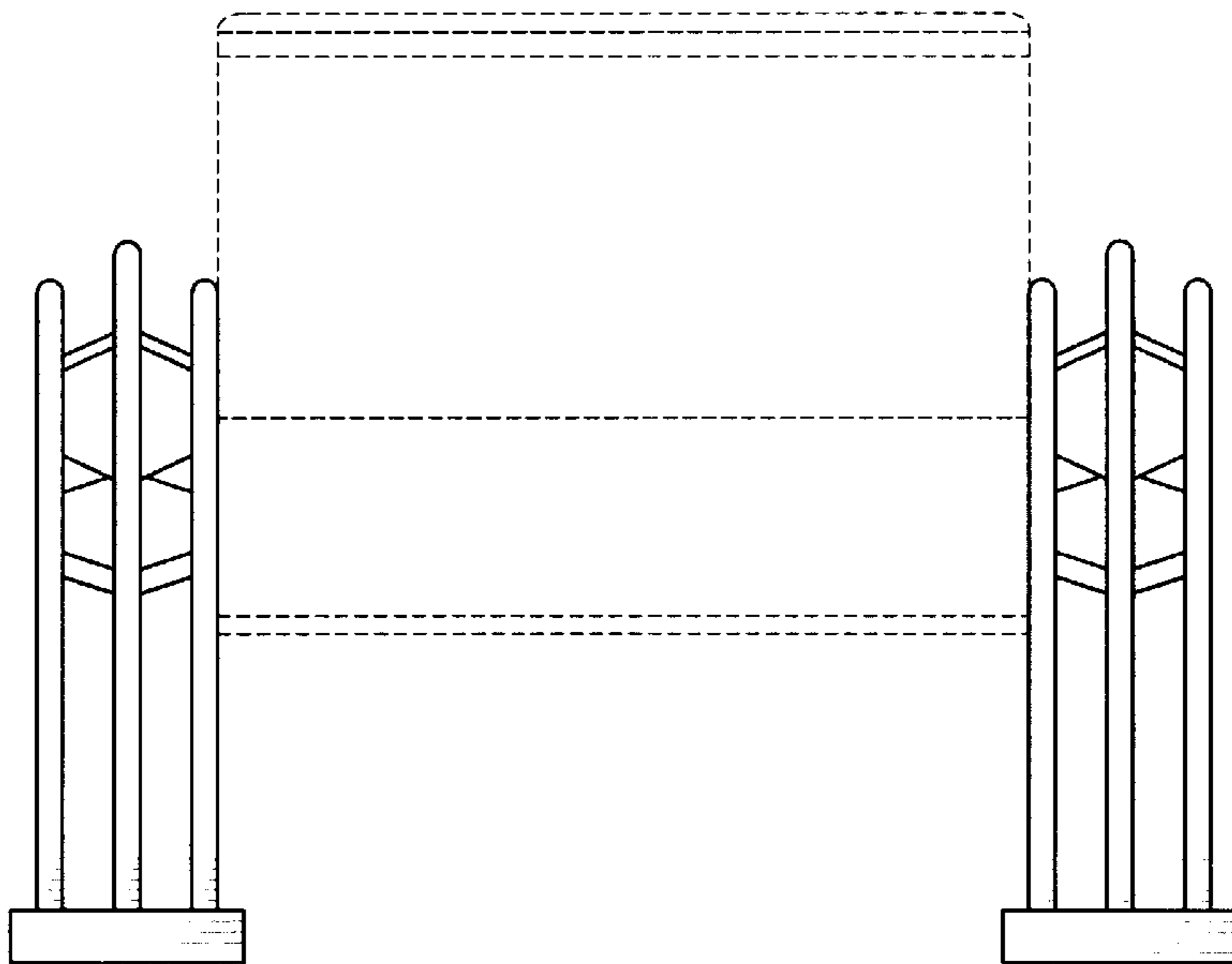


FIG. 3

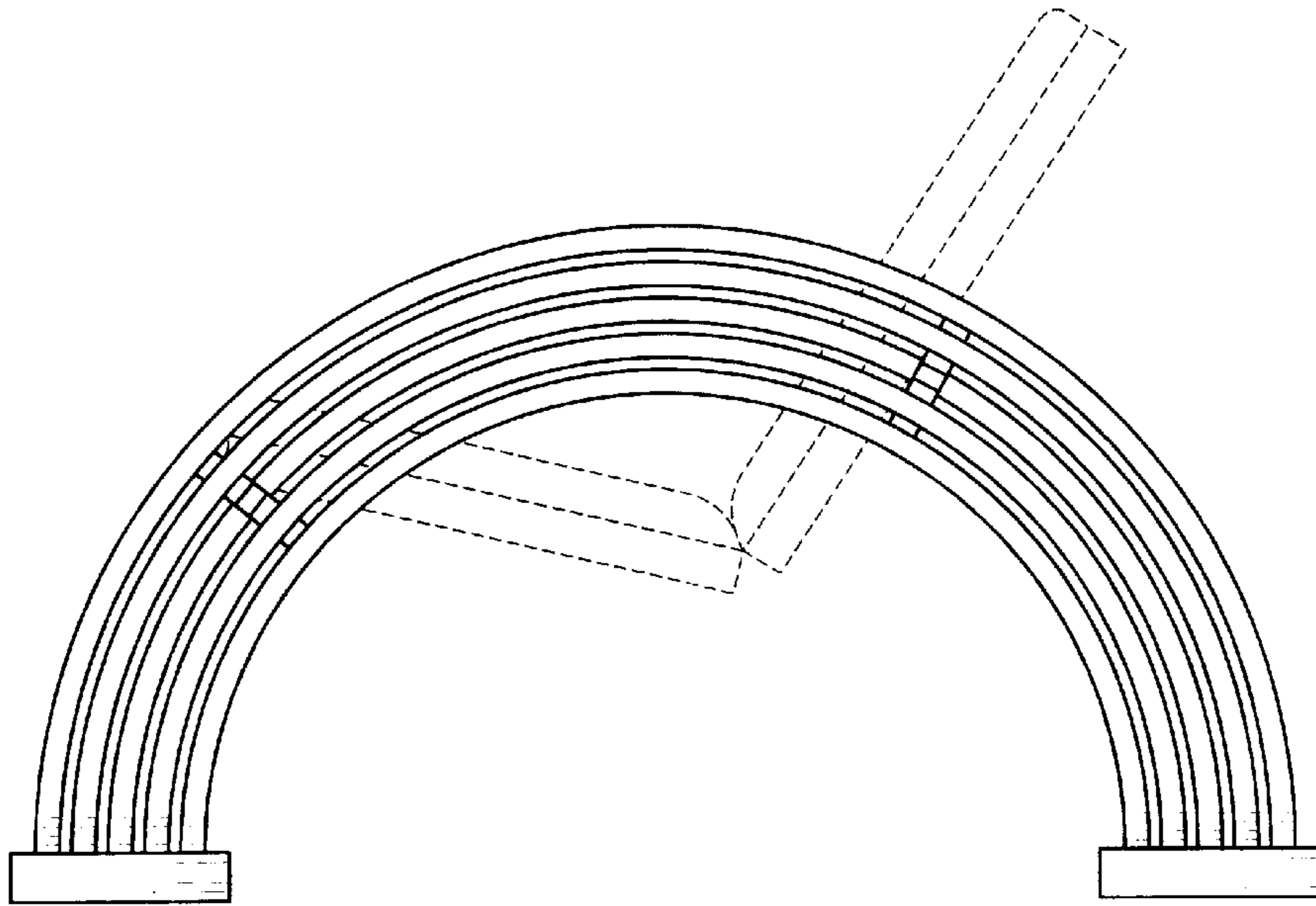


FIG. 4

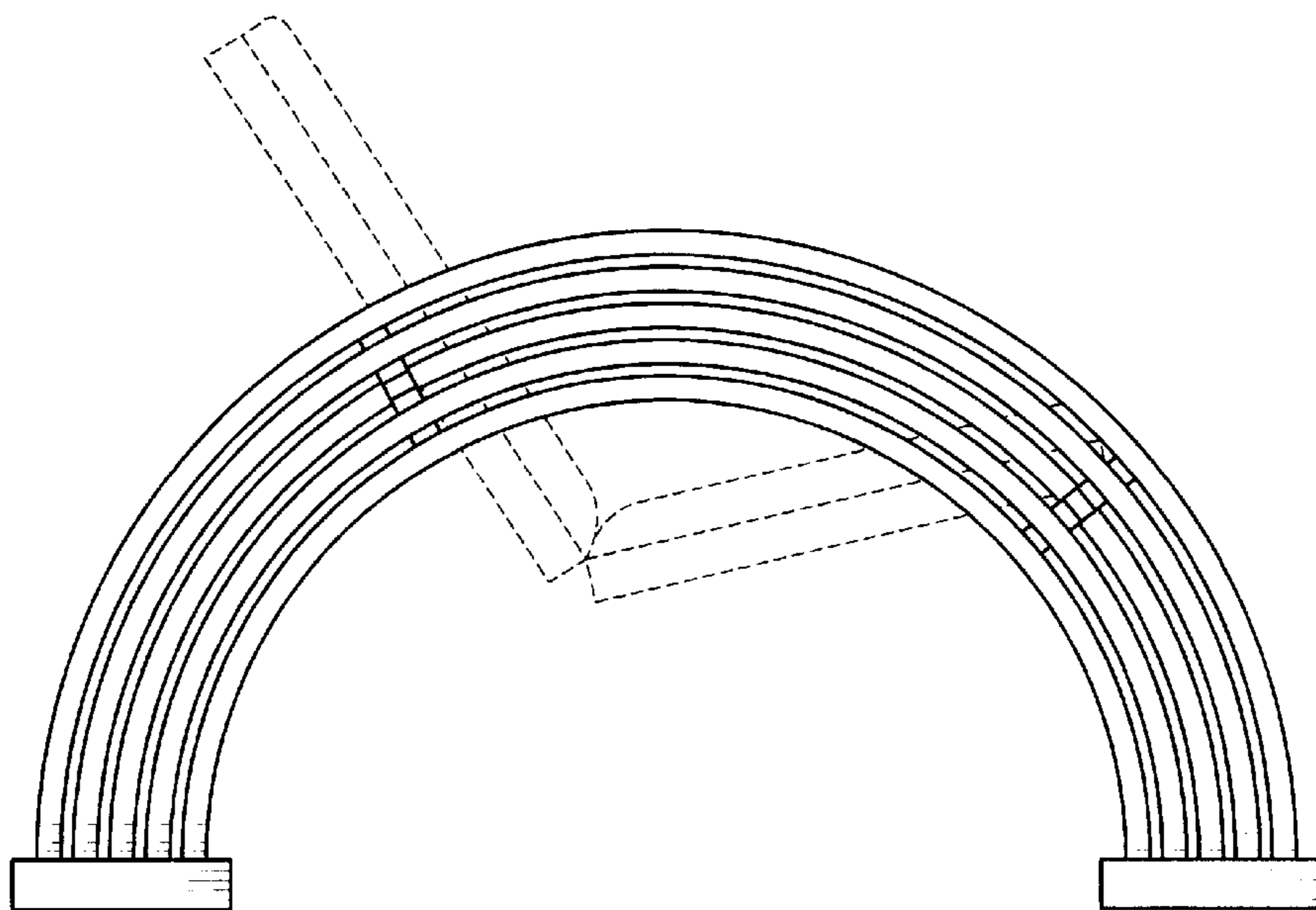


FIG. 5

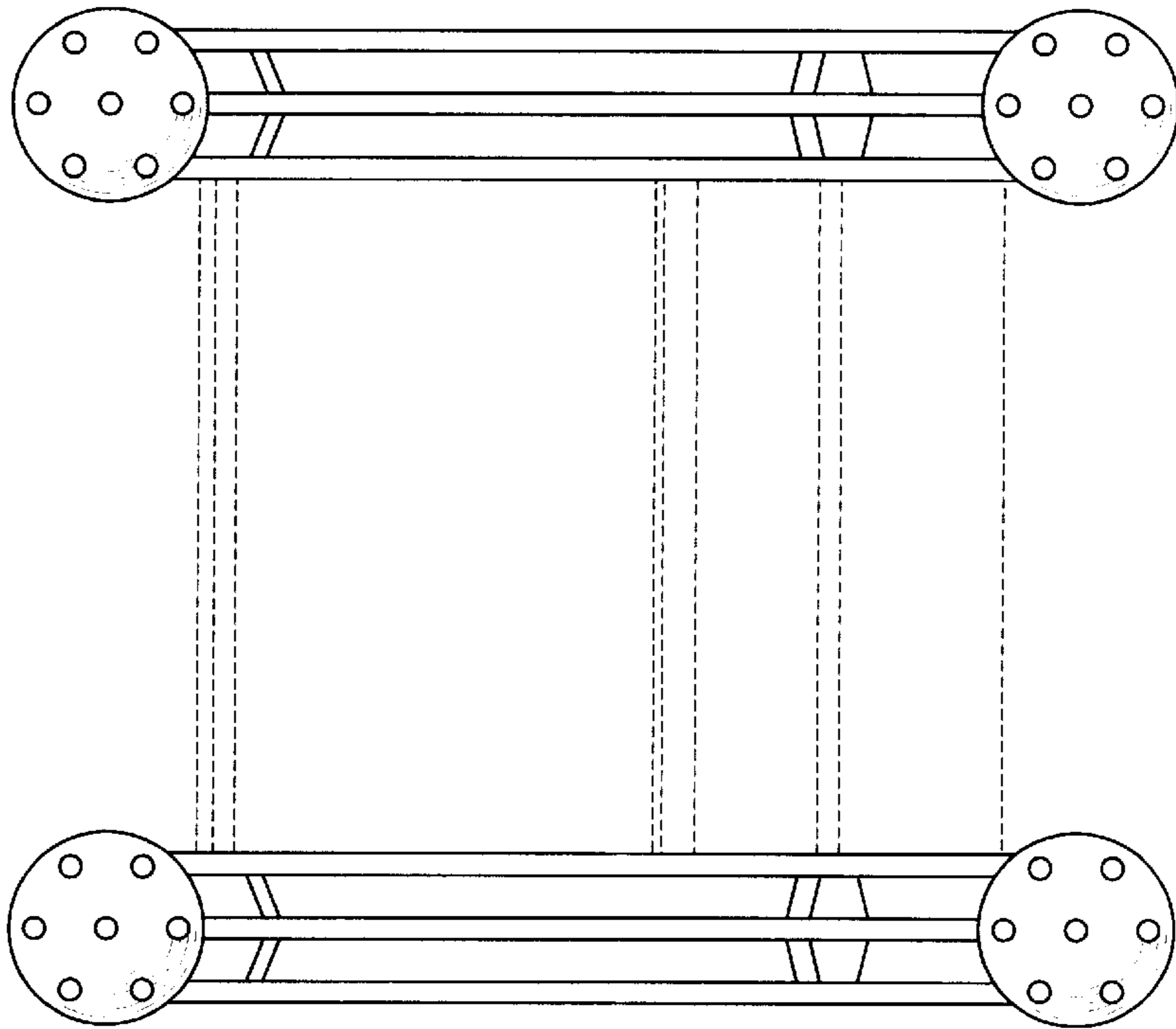


FIG. 6

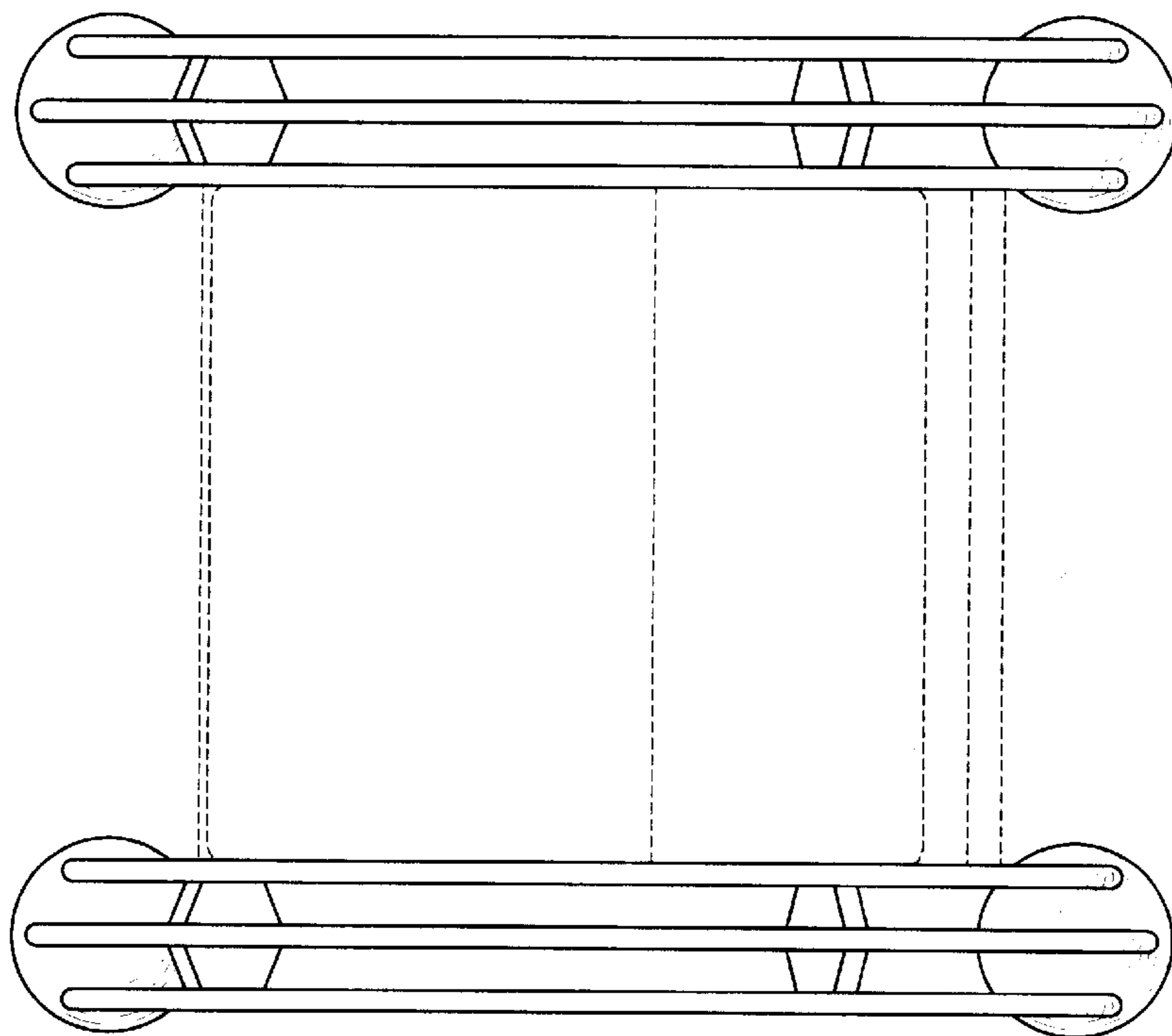


FIG. 7