



US00D475220S

(12) **United States Design Patent**
Seki

(10) **Patent No.:** **US D475,220 S**

(45) **Date of Patent:** **** Jun. 3, 2003**

(54) **STAND**

(75) Inventor: **Katsuya Seki, Tokyo (JP)**

(73) Assignee: **Fuji Television Network, Inc. (JP)**

(**) Term: **14 Years**

(21) Appl. No.: **29/170,856**

(22) Filed: **Nov. 13, 2002**

Related U.S. Application Data

(62) Division of application No. 29/158,351, filed on Apr. 3, 2002.

(30) **Foreign Application Priority Data**

Nov. 19, 2001 (JP) 2001-33844

(51) **LOC (7) Cl.** **06-03**

(52) **U.S. Cl.** **D6/484; D6/449**

(58) **Field of Search** D6/349-353, 495, D6/480, 484, 485, 449; D25/58; 52/6, 7, 29; 108/64, 65, 91; 248/188, 188.1, 188.8

(56) **References Cited**

U.S. PATENT DOCUMENTS

D327,987 S * 7/1992 Delmerico et al. D6/349

5,392,718 A 2/1995 Stevens
D423,254 S * 4/2000 Alcala et al. D6/484
D455,300 S * 4/2002 Davies et al. D6/484

* cited by examiner

Primary Examiner—Janice E. Seeger

(74) *Attorney, Agent, or Firm*—SAIDMAN DesignLaw Group

(57) **CLAIM**

The ornamental design for a stand, as shown and described.

DESCRIPTION

FIG. 1 is a perspective view of a stand showing my new design;

FIG. 2 is a front view thereof;

FIG. 3 is a rear thereof;

FIG. 4 is a right side view thereof;

FIG. 5 is a left side view thereof;

FIG. 6 is a top view thereof;

FIG. 7 is a sectional view thereof taken along line 7—7 of FIG. 4; and,

FIG. 8 is a bottom view thereof.

The broken lines in the drawings represent environmental subject matter and form no part of the claimed design.

1 Claim, 4 Drawing Sheets

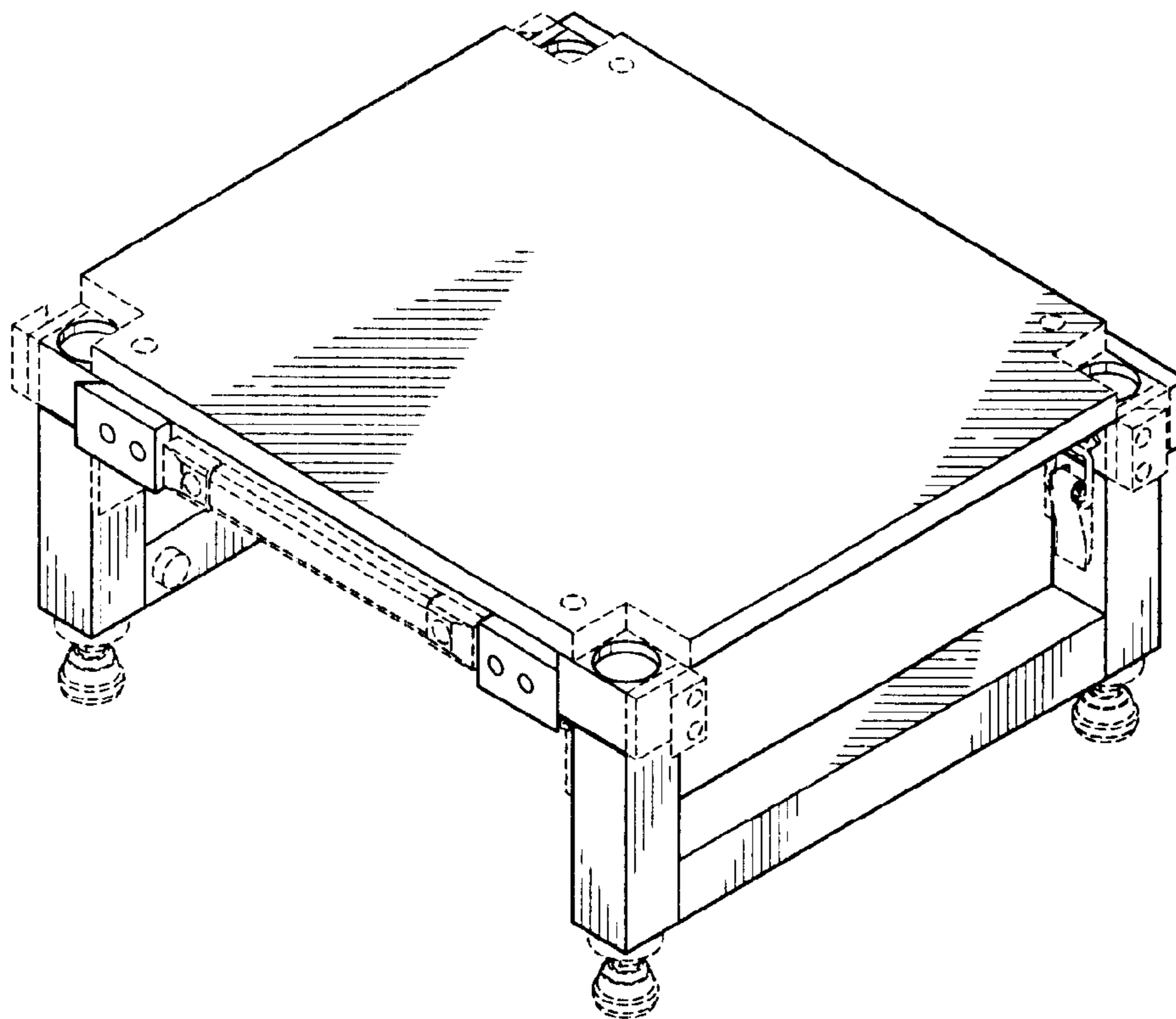


FIG.1

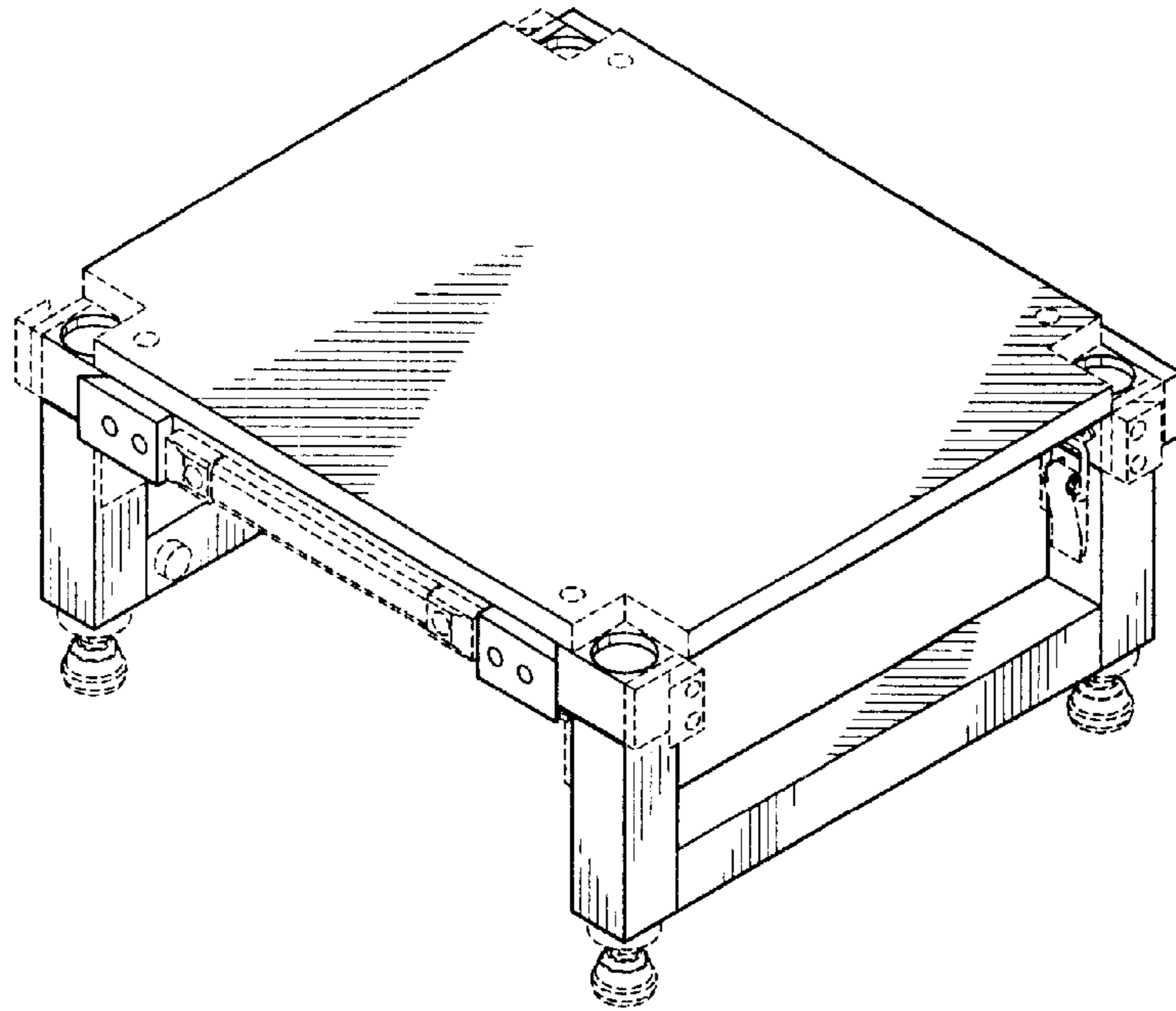


FIG.2

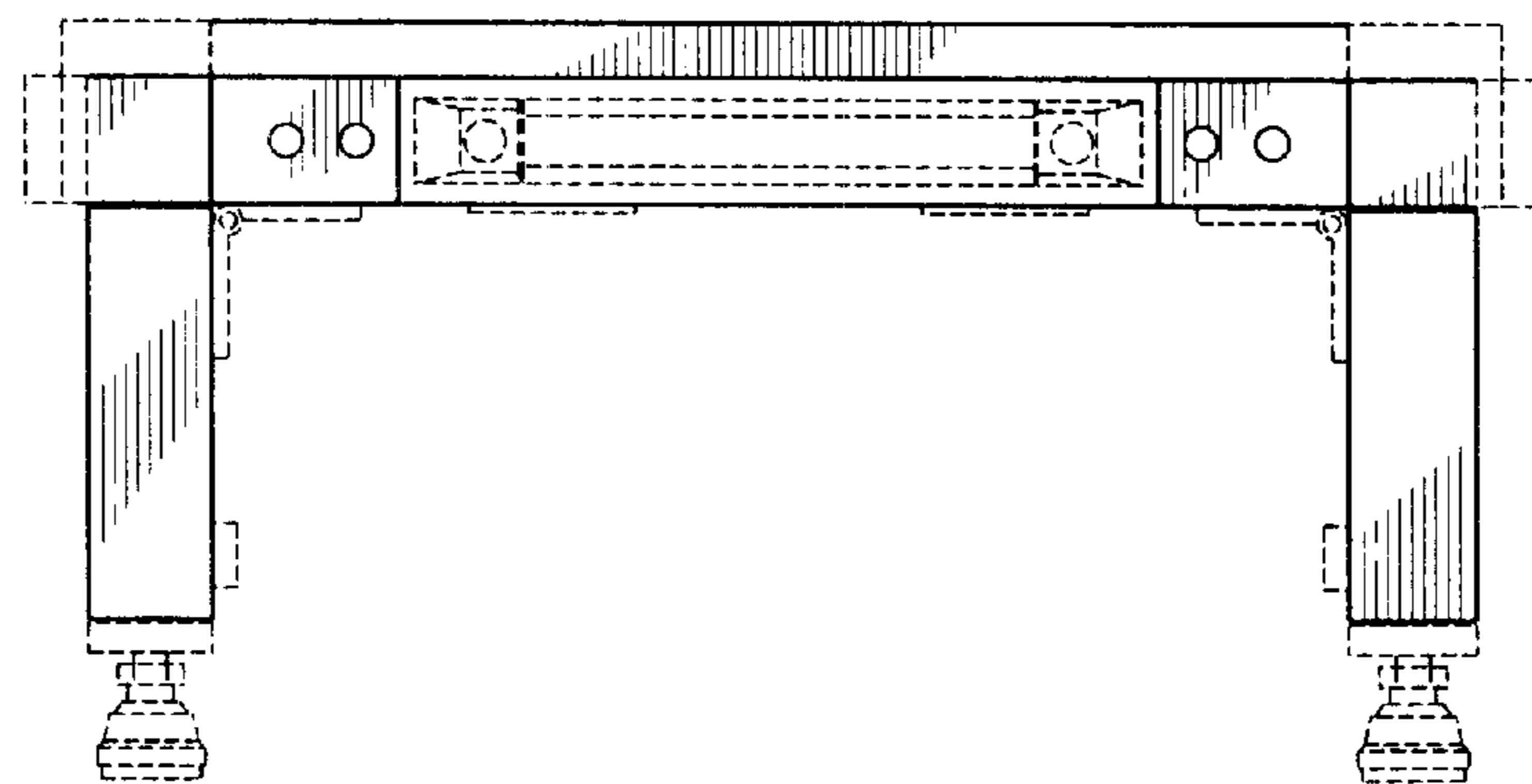


FIG.3

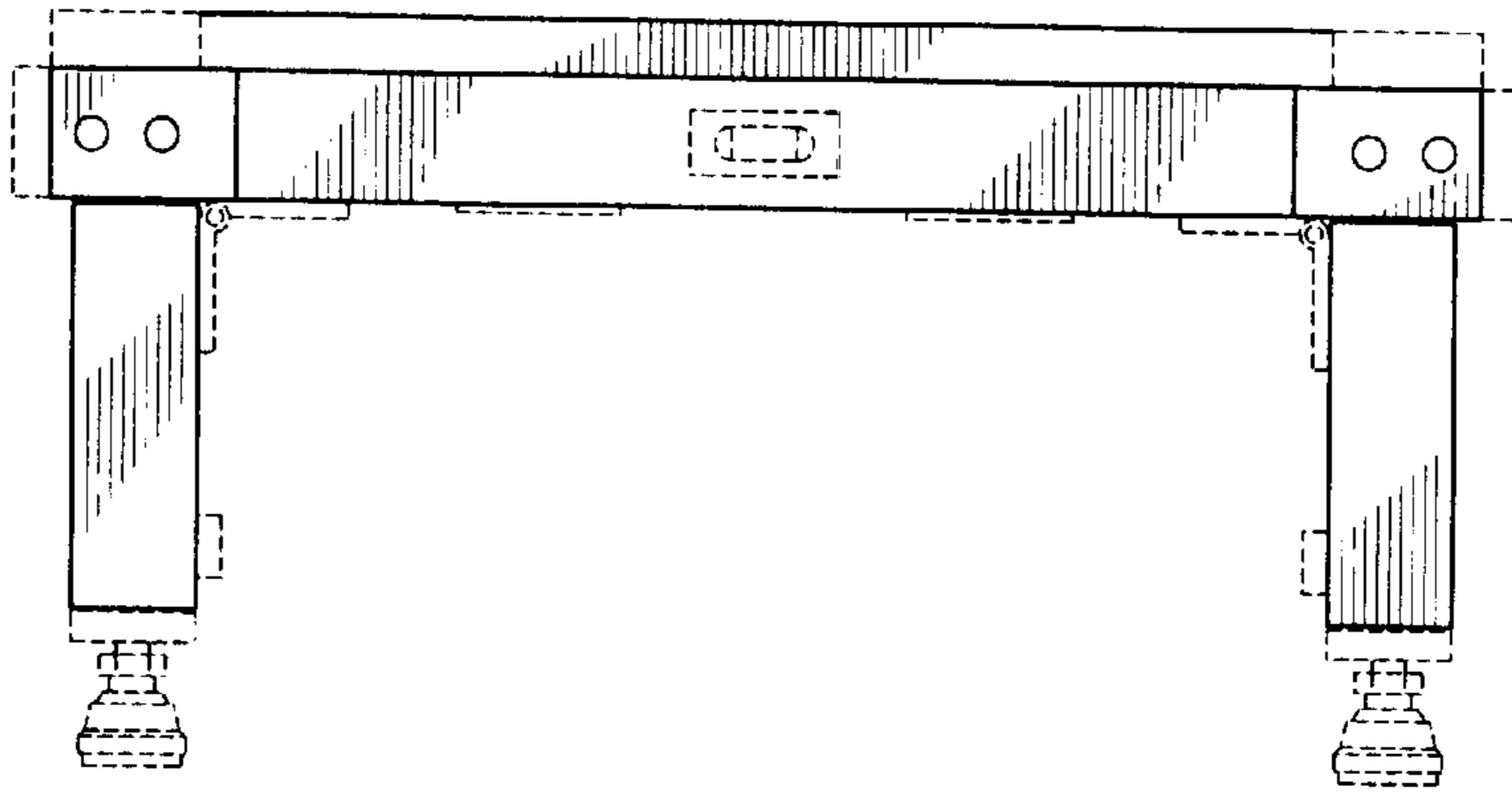


FIG.4

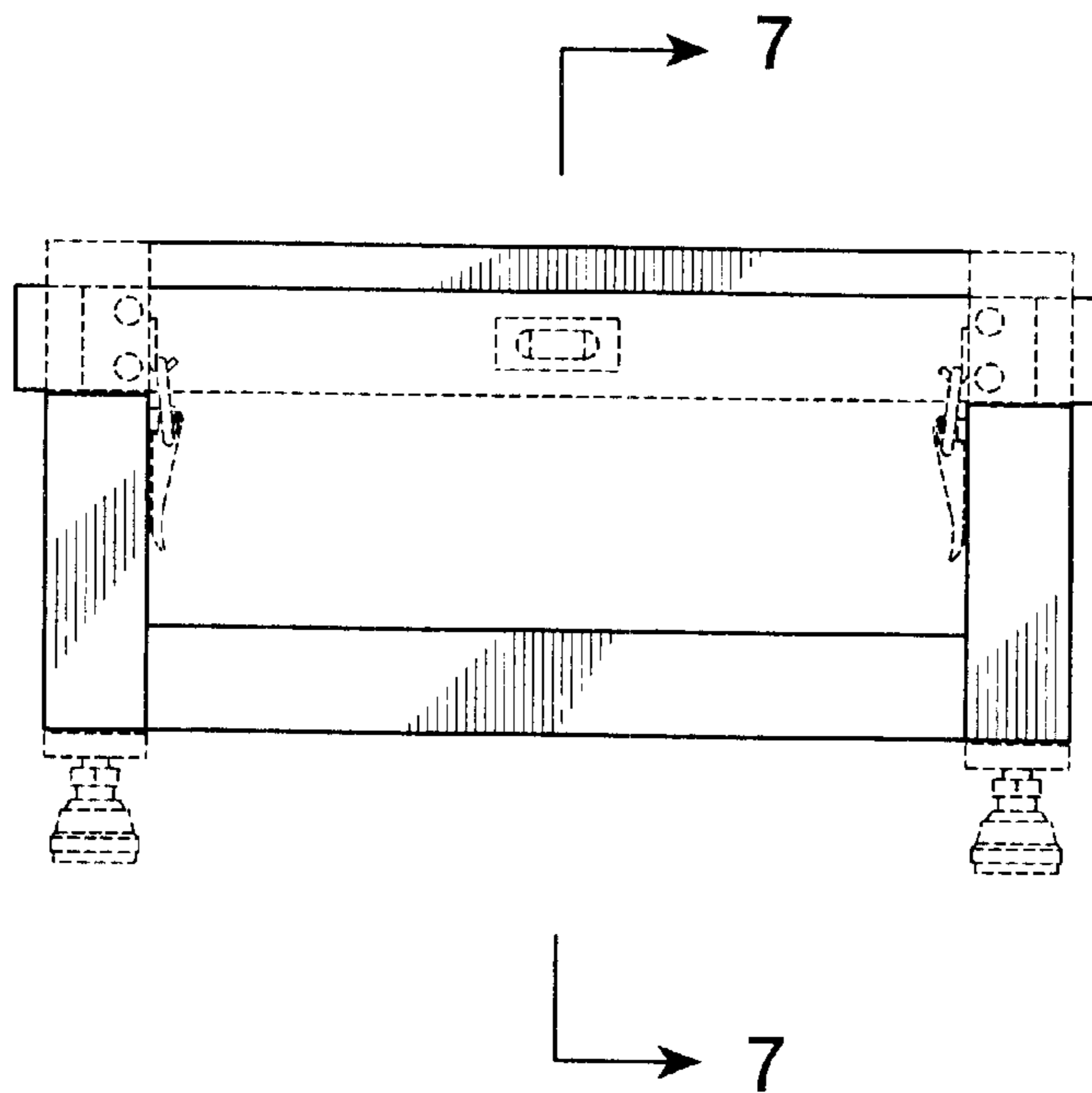


FIG.5

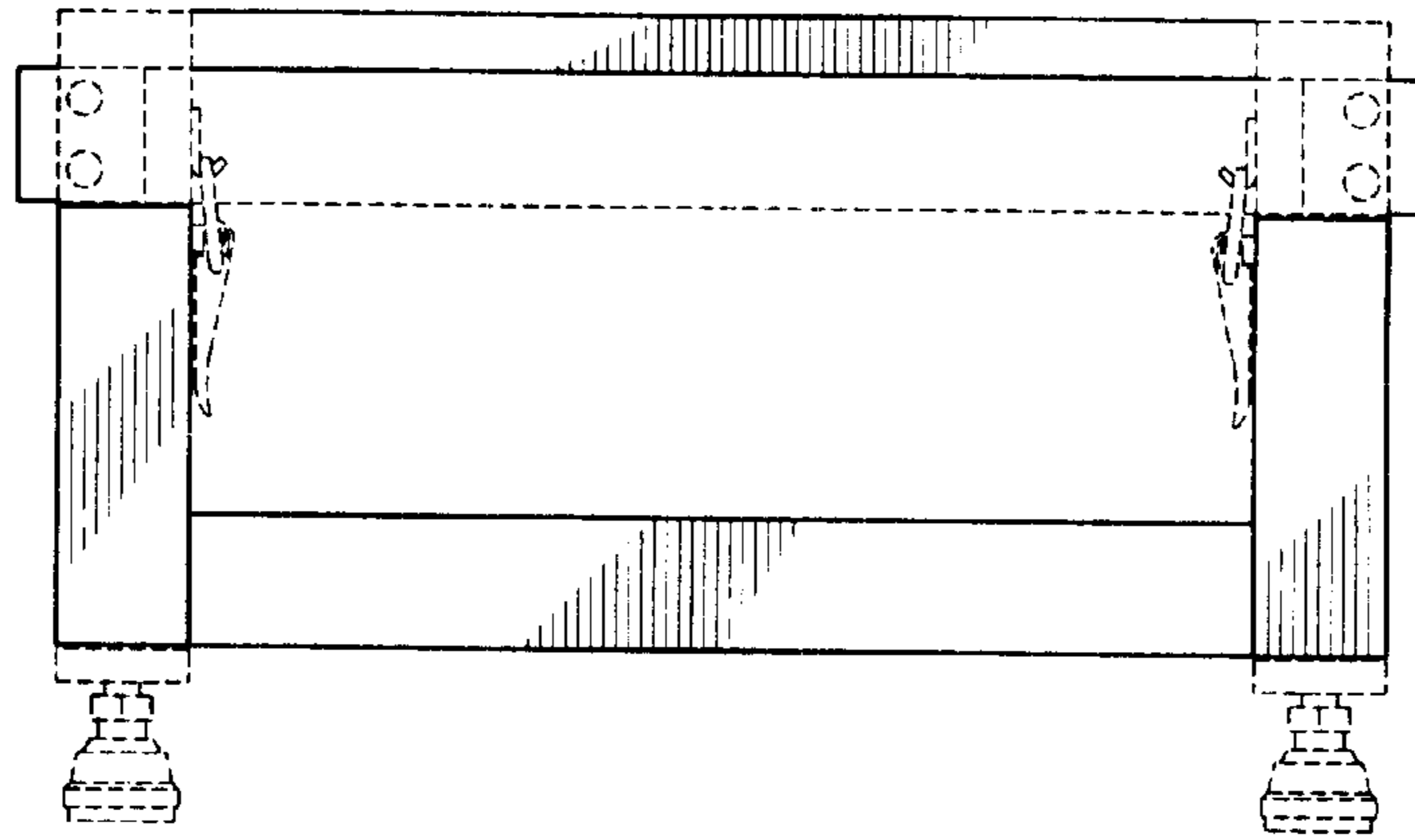


FIG.6

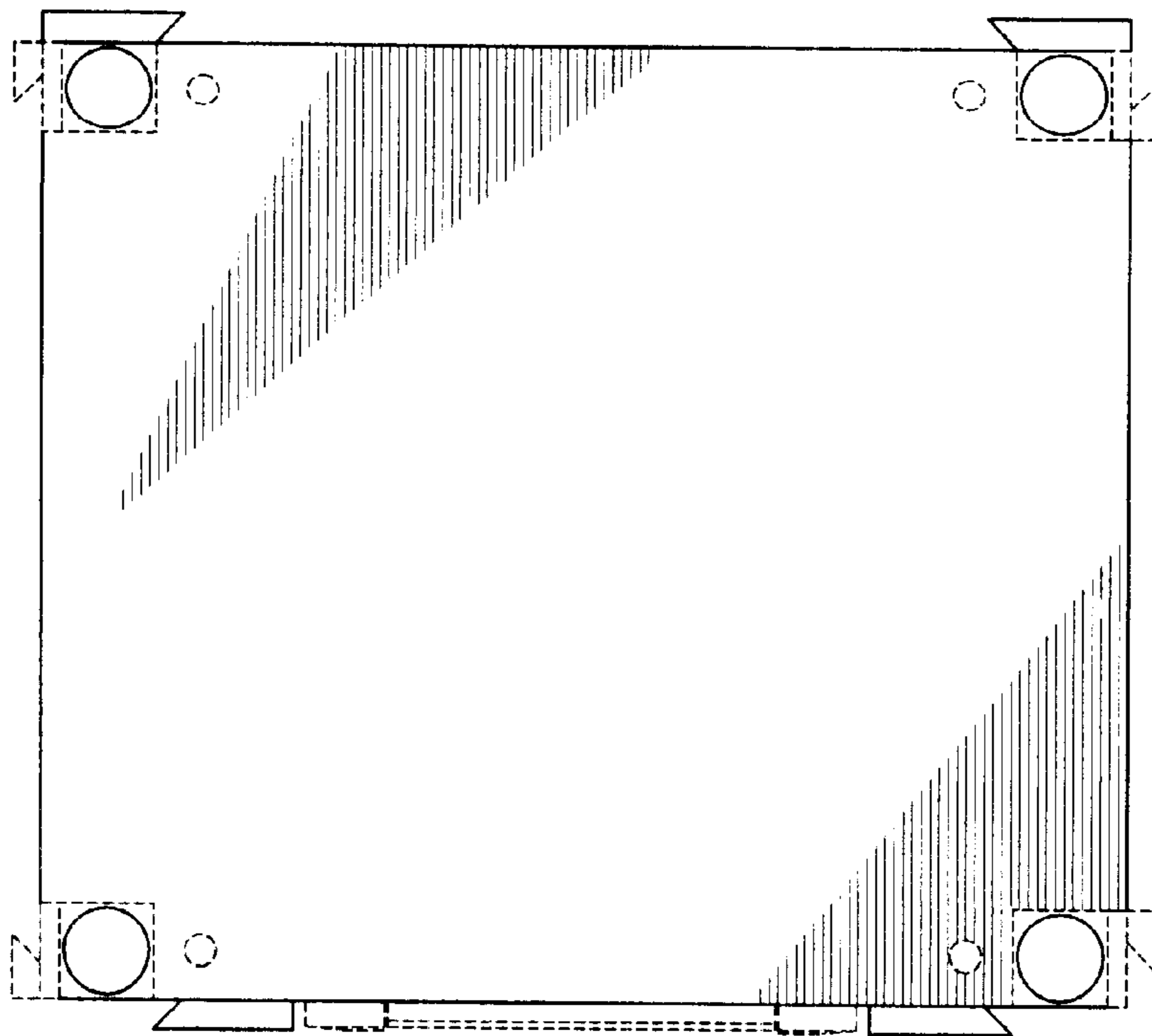


FIG.7

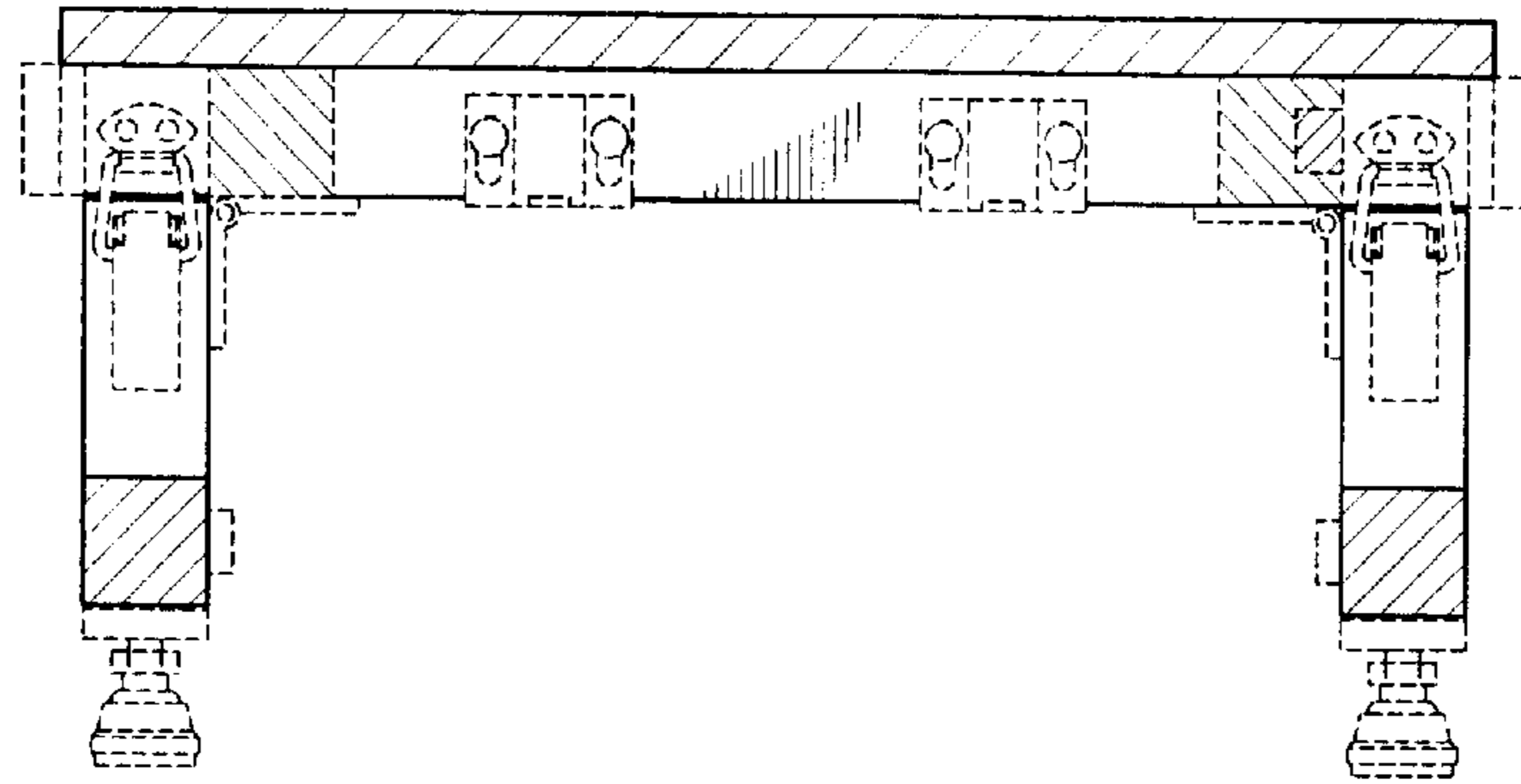


FIG.8

