



US00D475215S

(12) **United States Design Patent** (10) **Patent No.:** **US D475,215 S**
Ricci (45) **Date of Patent:** **** Jun. 3, 2003**

- (54) **SOFA**
- (75) **Inventor:** **Luca Ricci**, Forli (IT)
- (73) **Assignee:** **De Coro Ltd.**, Fanling (HK)
- (**) **Term:** **14 Years**
- (21) **Appl. No.:** **29/165,805**
- (22) **Filed:** **Aug. 15, 2002**
- (51) **LOC (7) Cl.** **06-01**
- (52) **U.S. Cl.** **D6/381**
- (58) **Field of Search** D6/334, 335, 336,
D6/364, 371, 381, 500, 501, 502; 5/12.1;
297/232

(56) **References Cited**

U.S. PATENT DOCUMENTS

D179,682 S	*	2/1957	Glass	D6/381
D255,624 S	*	7/1980	Mosca	D6/334
D361,212 S	*	8/1995	Gibson	D6/334
D369,480 S		5/1996	Natuzzi et al.		
D369,694 S	*	5/1996	Natuzzi et al.	D6/381
D407,572 S		4/1999	Natuzzi et al.		
D429,082 S	*	8/2000	Desombre	D6/381
D448,183 S	*	9/2001	Brisson	D6/335
D466,325 S	*	12/2002	Nicoletti	D6/381
D467,091 S	*	12/2002	Natuzzi et al.	D6/381

OTHER PUBLICATIONS

De Coro Ltd. Sofa Model No. 2176, Oct., 2001, at the International Home Furnishing Market in High Point, N.C.
 De Coro Ltd. Sofa Model No. 2068, Apr. 2000, at the International Home Furnishing Market in High Point, N.C.
 De Coro Ltd. Sofa Model No. 154, Apr. 1998, at the International Home Furnishing Market in High Point, N.C.
 De Coro Ltd. Sofa Model No. 133, Apr. 1998, at the International Home Furnishing Market in High Point, N.C.

De Coro Ltd. Sofa Model No. 132, Apr. 1998, at the International Home Furnishing Market in High Point, N.C.
 De Coro Ltd. Sofa Model No. 106, Apr. 1998, at the International Home Furnishing Market in High Point, N.C.
 De Coro Ltd. Sofa Model No. 105, Apr. 1998, at the International Home Furnishing Market in High Point, N.C.

* cited by examiner

Primary Examiner—Gary D. Watson

(74) *Attorney, Agent, or Firm*—Luce, Forward, Hamilton & Scripps LLP

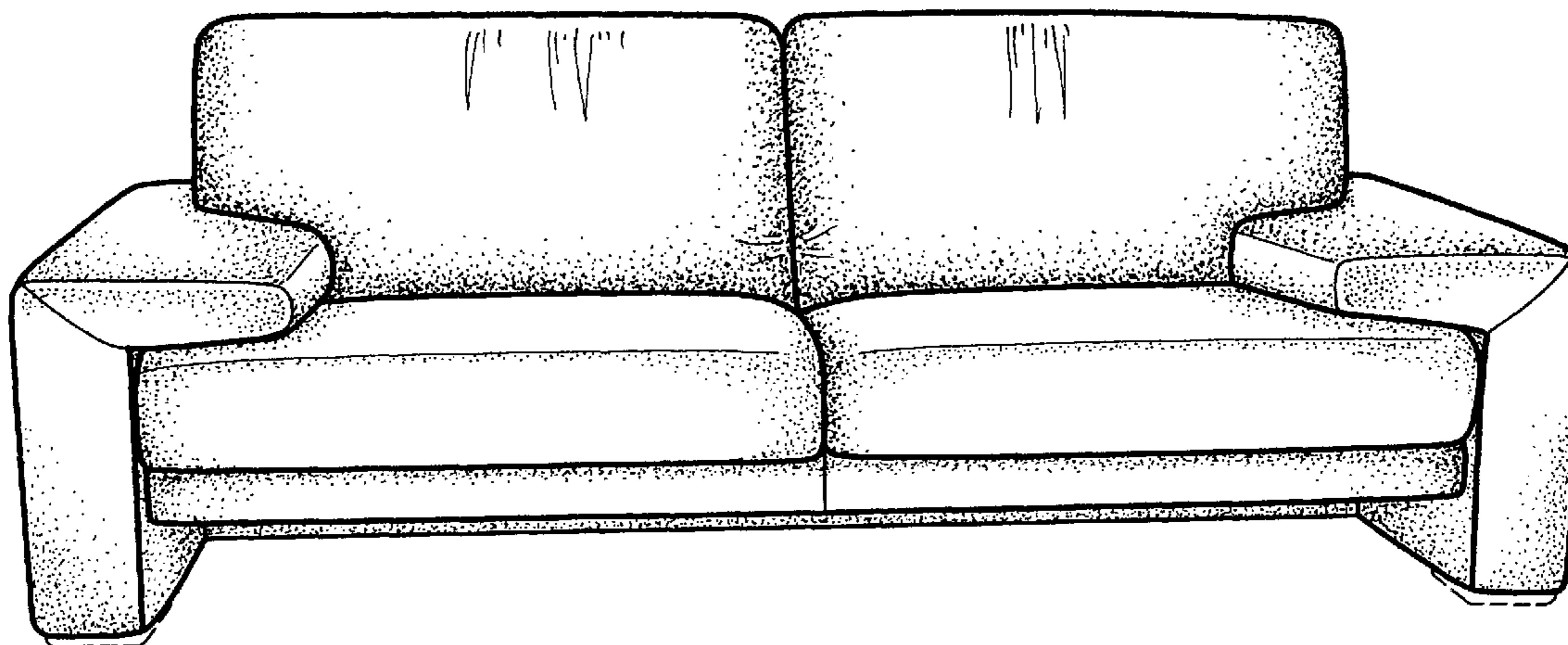
(57) **CLAIM**

The ornamental design for a sofa, as shown and described.

DESCRIPTION

FIG. 1 is a front, left perspective view of a sofa showing my new design;
 FIG. 2 is a rear, right perspective view of the embodiment of FIG. 1;
 FIG. 3 is a front elevation view of the embodiment of FIG. 1;
 FIG. 4 is a right, side elevation view of the embodiment of FIG. 1, with the left side elevational view being a mirror image thereof;
 FIG. 5 is a rear elevation view of the embodiment of FIG. 1;
 FIG. 6 is a front elevation view of a second embodiment of the sofa depicted in FIG. 1;
 FIG. 7 is a right, side elevation view of the embodiment of FIG. 7, with the left side elevational view being a mirror image thereof; and,
 FIG. 8 is a rear elevation view of the embodiment of FIG. 6.
 The broken line disclosure is for illustrative purposes only and forms no part of the claimed design.

1 Claim, 3 Drawing Sheets



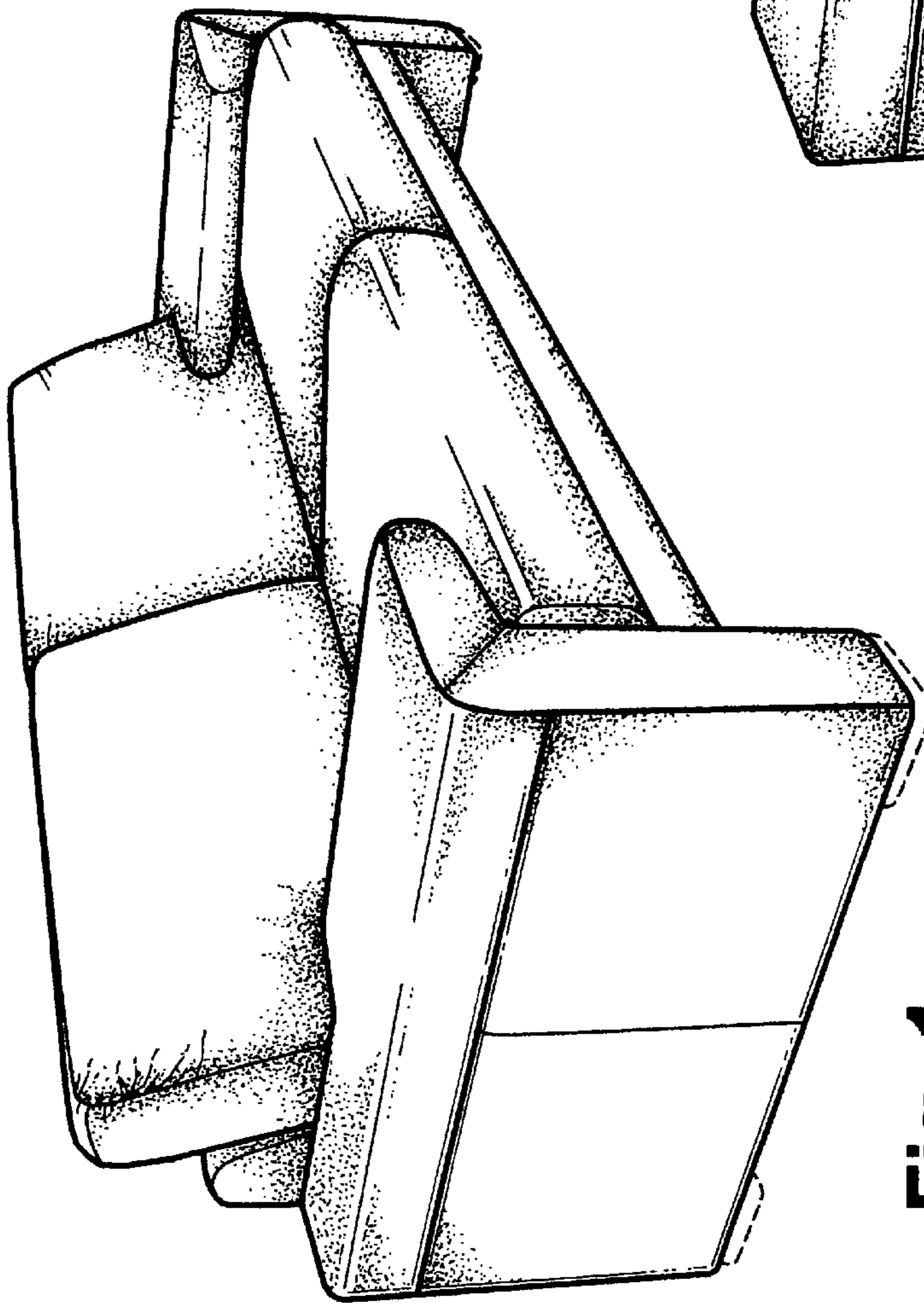
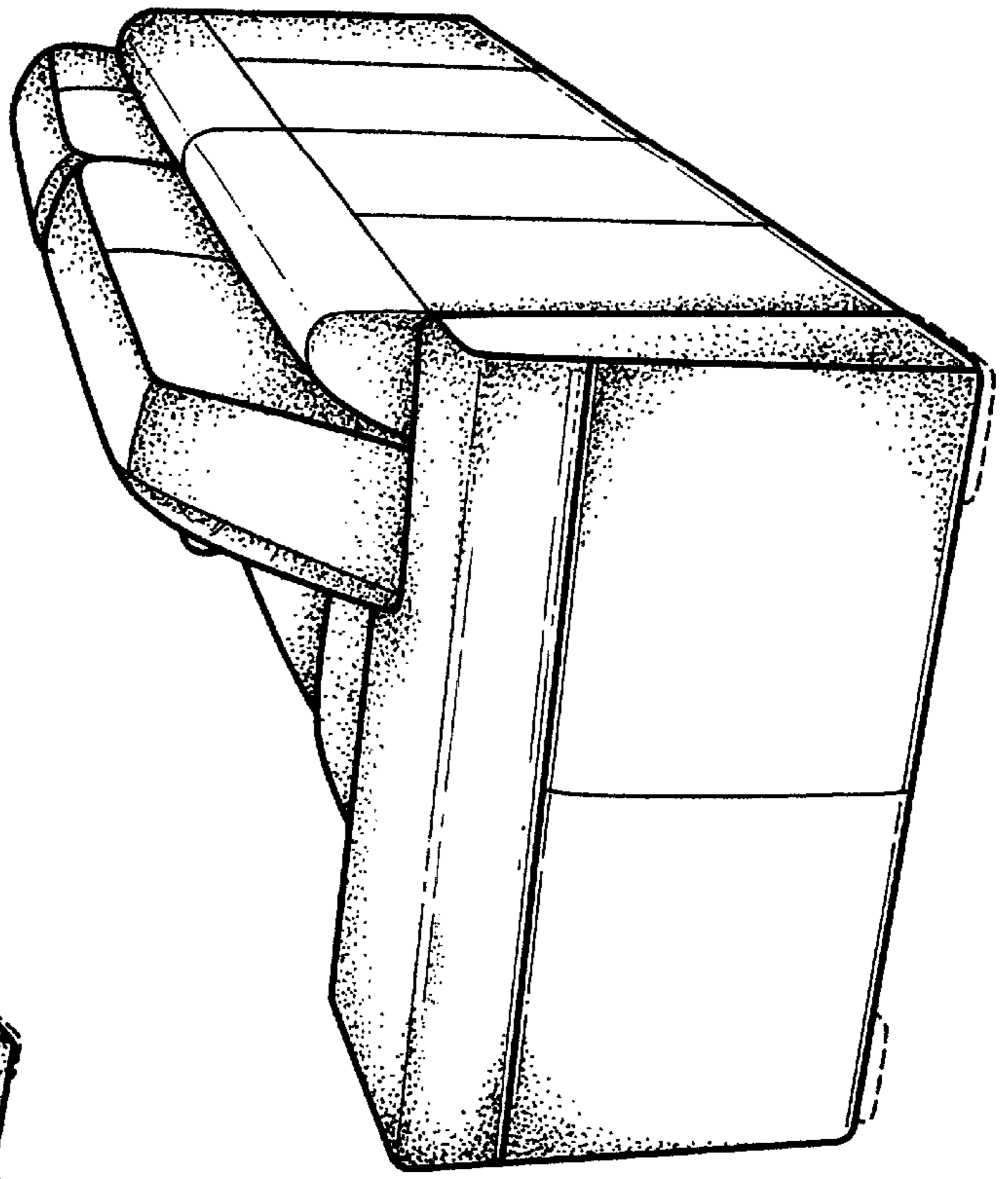


Fig. 1

Fig. 2



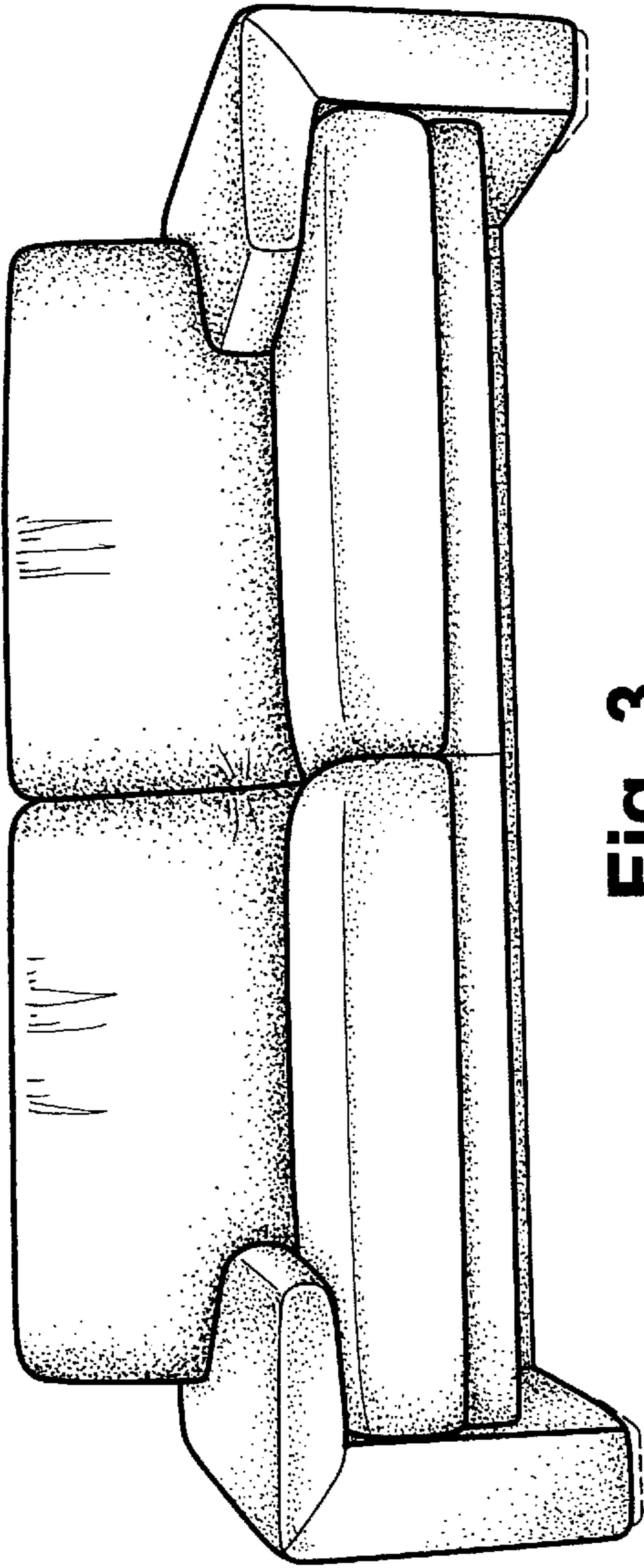


Fig. 3

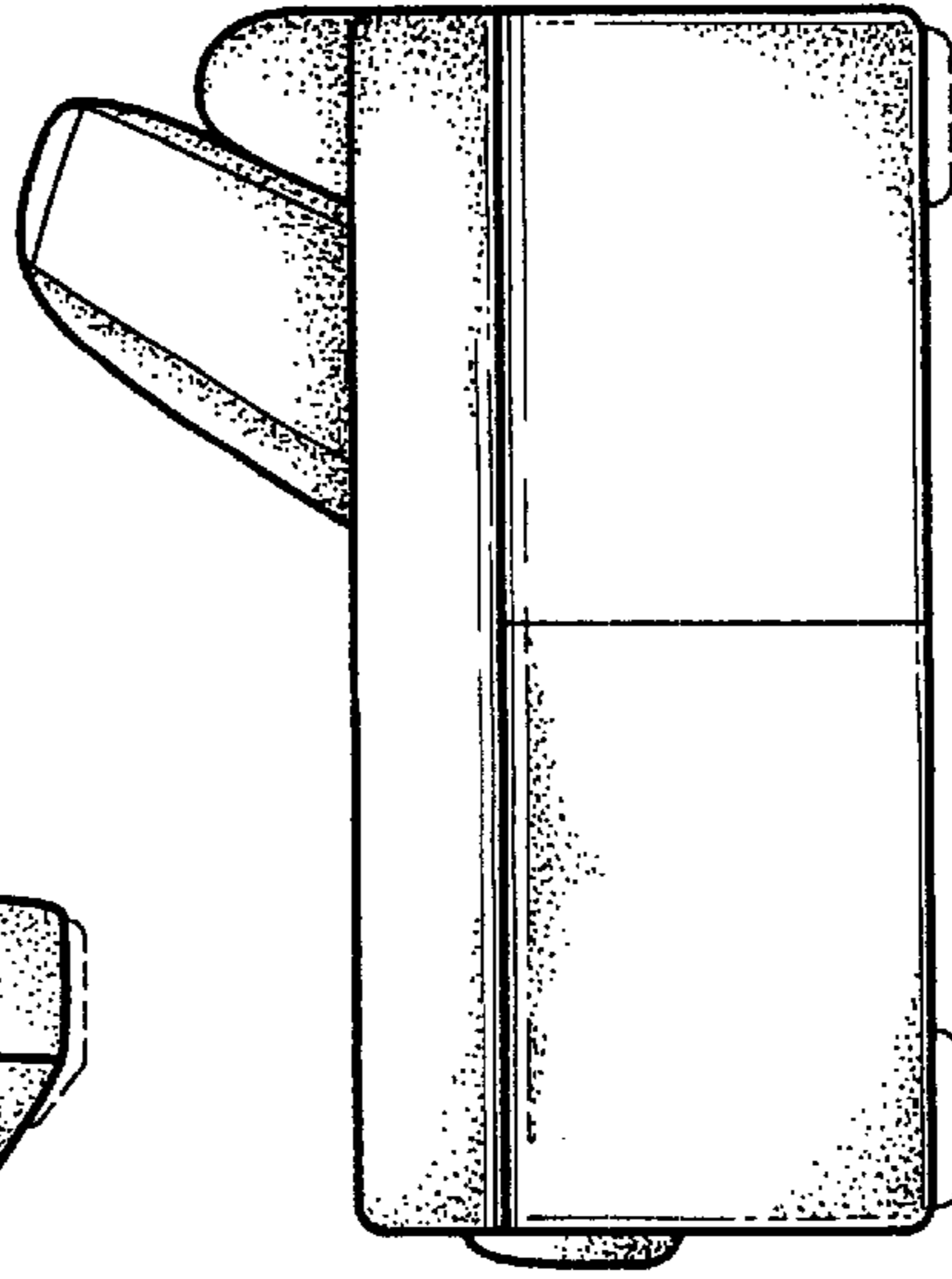


Fig. 4

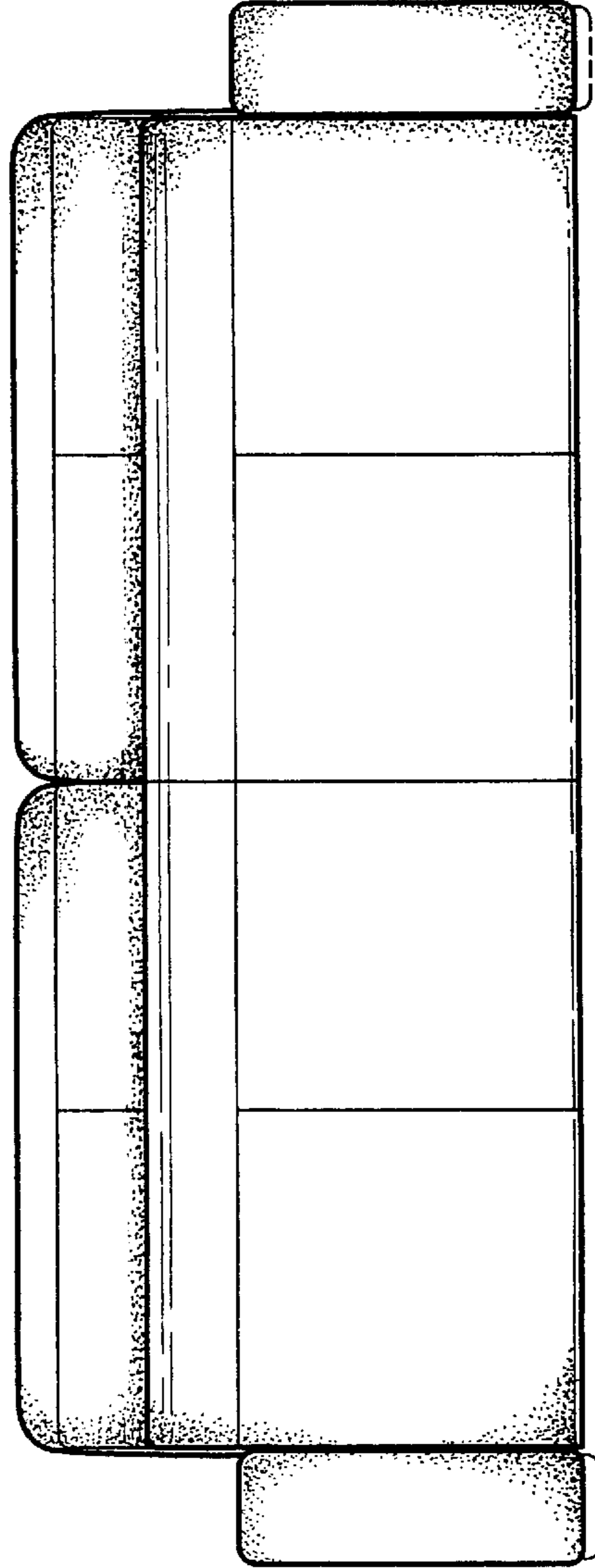


Fig. 5

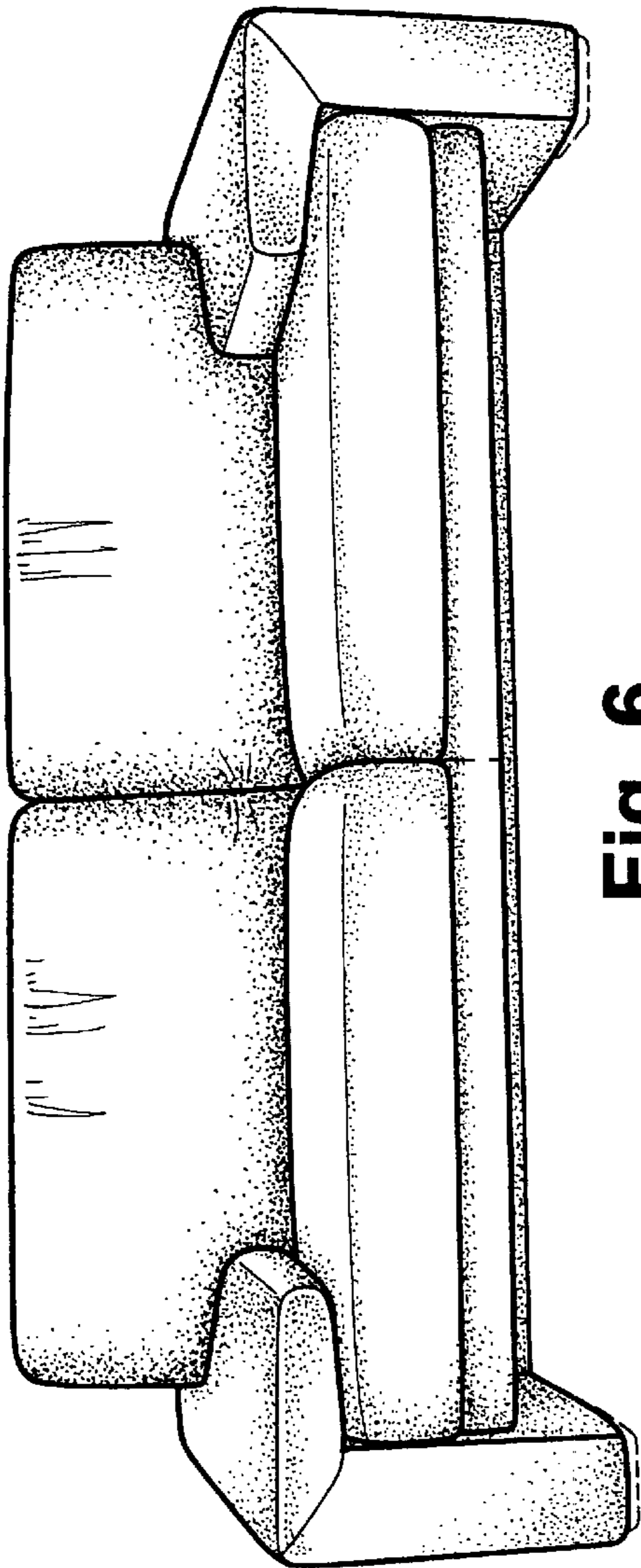


Fig. 6

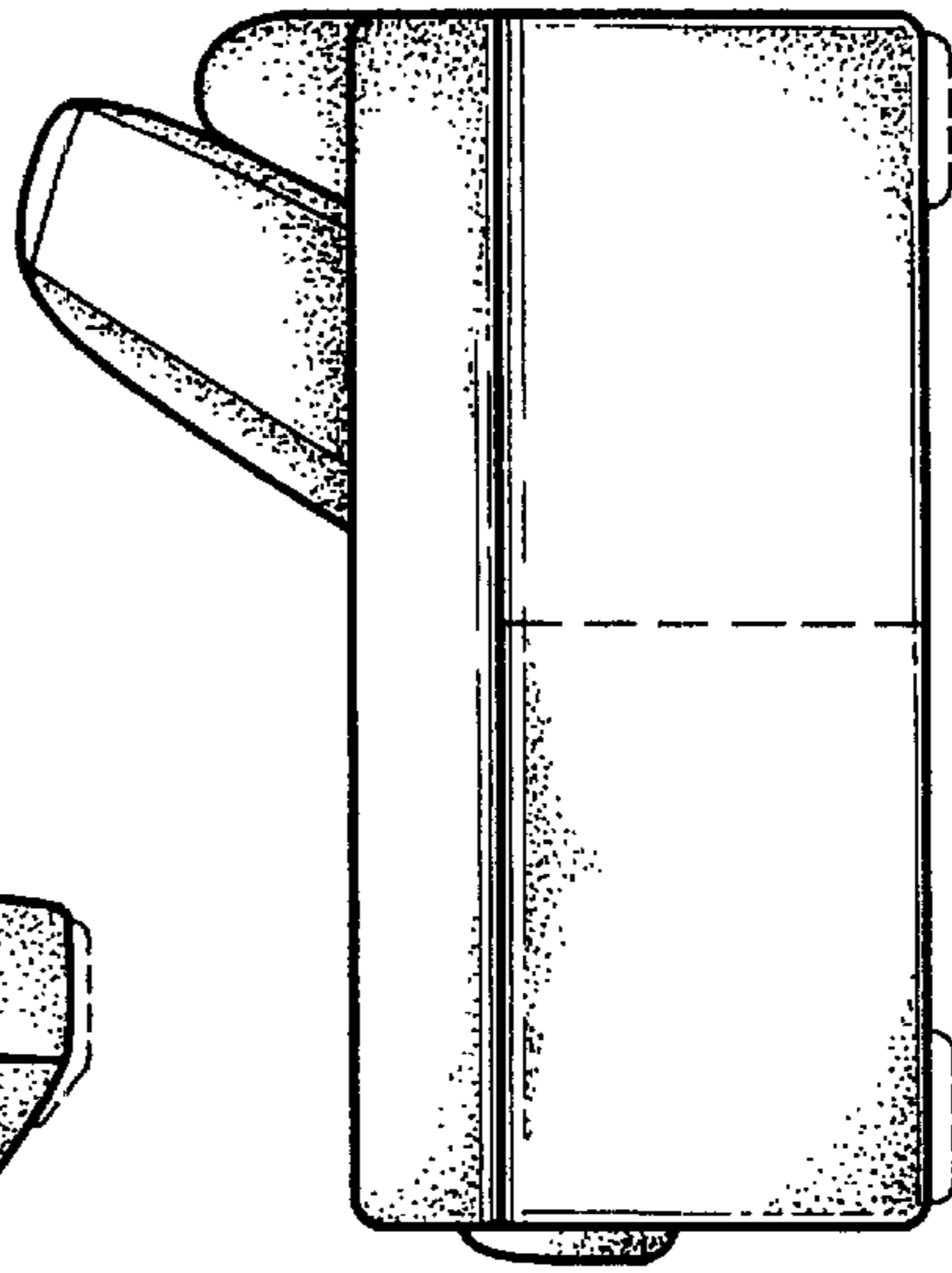


Fig. 7

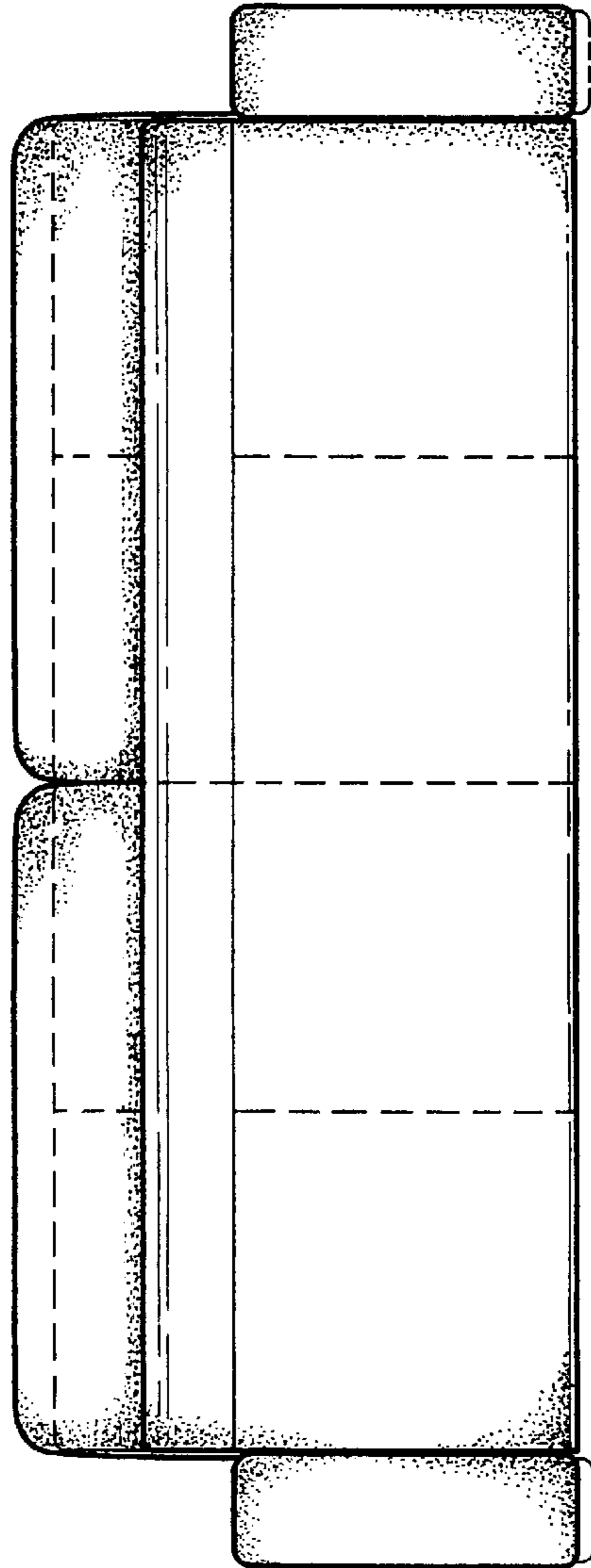


Fig. 8