



US00D475214S

(12) **United States Design Patent** (10) **Patent No.:** **US D475,214 S**
Ricci (45) **Date of Patent:** **** Jun. 3, 2003**

(54) **SOFA**
(75) **Inventor:** **Luca Ricci**, Forli (IT)
(73) **Assignee:** **De Coro Ltd.**, Fanling (HK)
(**) **Term:** **14 Years**
(21) **Appl. No.:** **29/165,770**
(22) **Filed:** **Aug. 16, 2002**
(51) **LOC (7) Cl.** **06-01**
(52) **U.S. Cl.** **D6/381**
(58) **Field of Search** D6/334, 335, 336,
D6/364, 371, 381, 500, 501, 502; 5/12.1;
297/232

De Coro Ltd. Sofa Model No. 2048, Apr., 2000, at the International Home Furnishings Market in High Point, N.C.
De Coro Ltd. Sofa Model No. 2039, Apr., 2000, at the International Home Furnishings Market in High Point, N.C.
De Coro Ltd. Sofa Model No. 278, Apr., 1999, at the International Home Furnishings Market in High Point, N.C.
De Coro Ltd. Sofa Model No. 208, Apr., 1999, at the International Home Furnishings Market in High Point, N.C.
De Coro Ltd. Sofa Model No. 150, Apr., 1998, at the International Home Furnishings Market in High Point, N.C.

* cited by examiner

Primary Examiner—Gary D. Watson
(74) *Attorney, Agent, or Firm*—Luce, Forward, Hamilton & Scripps LLP

(56) **References Cited**

U.S. PATENT DOCUMENTS

D353,062 S	12/1994	Natuzzi et al.	
D400,368 S	11/1998	Natuzzi et al.	
D415,904 S	* 11/1999	Zaidman	D6/381
D417,971 S	12/1999	Natuzzi et al.	
D418,994 S	* 1/2000	Natuzzi et al.	D6/381
D419,328 S	1/2000	Natuzzi et al.	
D421,193 S	* 2/2000	Natuzzi et al.	D6/381
D423,236 S	* 4/2000	Palumbo	D6/334
D429,080 S	* 8/2000	Natuzzi et al.	D6/381
D431,124 S	* 9/2000	Natuzzi et al.	D6/381
D439,759 S	4/2001	Natuzzi et al.	
D440,785 S	4/2001	Natuzzi et al.	
D445,587 S	* 7/2001	Natuzzi et al.	D6/381
D448,945 S	* 10/2001	Natuzzi et al.	D6/381
D467,752 S	* 12/2002	Nastri	D6/381

OTHER PUBLICATIONS

De Coro Ltd. Sofa Model No. 2171, Oct., 2001, at the International Home Furnishings Market in High Point, N.C.
De Coro Ltd. Sofa Model No. 2164, Oct., 2001, at the International Home Furnishings Market in High Point, N.C.
De Coro Ltd. Sofa Model No. 2092, Apr., 2000, at the International Home Furnishings Market in High Point, N.C.
De Coro Ltd. Sofa Model No. 2050, Apr., 2000, at the International Home Furnishings Market in High Point, N.C.

(57) **CLAIM**

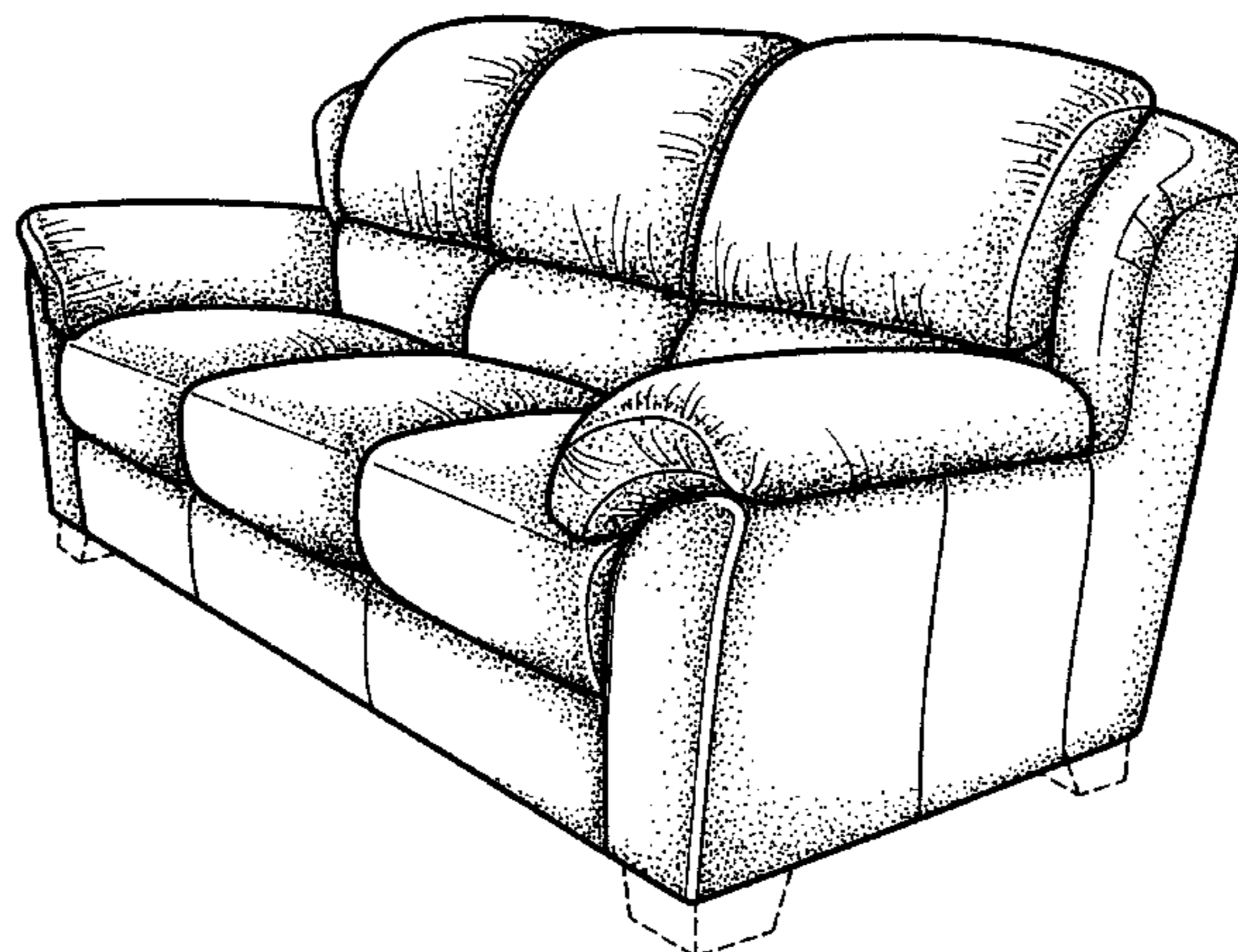
The ornamental design for a sofa, as shown and described.

DESCRIPTION

FIG. 1 is a right, front perspective view of a sofa showing my new design;
FIG. 2 is a left, rear perspective view of the embodiment of FIG. 1;
FIG. 3 is a front elevation view of the embodiment of FIG. 1;
FIG. 4 is a left, side elevation view of the embodiment of FIG. 1, with the right side elevational view being a mirror image thereof;
FIG. 5 is a rear elevation view of the embodiment of FIG. 1;
FIG. 6 is a front elevation view of a second embodiment of the sofa depicted in FIG. 1;
FIG. 7 is a left, side elevation view of the embodiment of FIG. 6, with the right side elevational view being a mirror image thereof; and,
FIG. 8 is a rear elevation view of the embodiment of FIG. 6.

The broken line disclosure is for illustrative purposes only and forms no part of the claimed design.

1 Claim, 4 Drawing Sheets



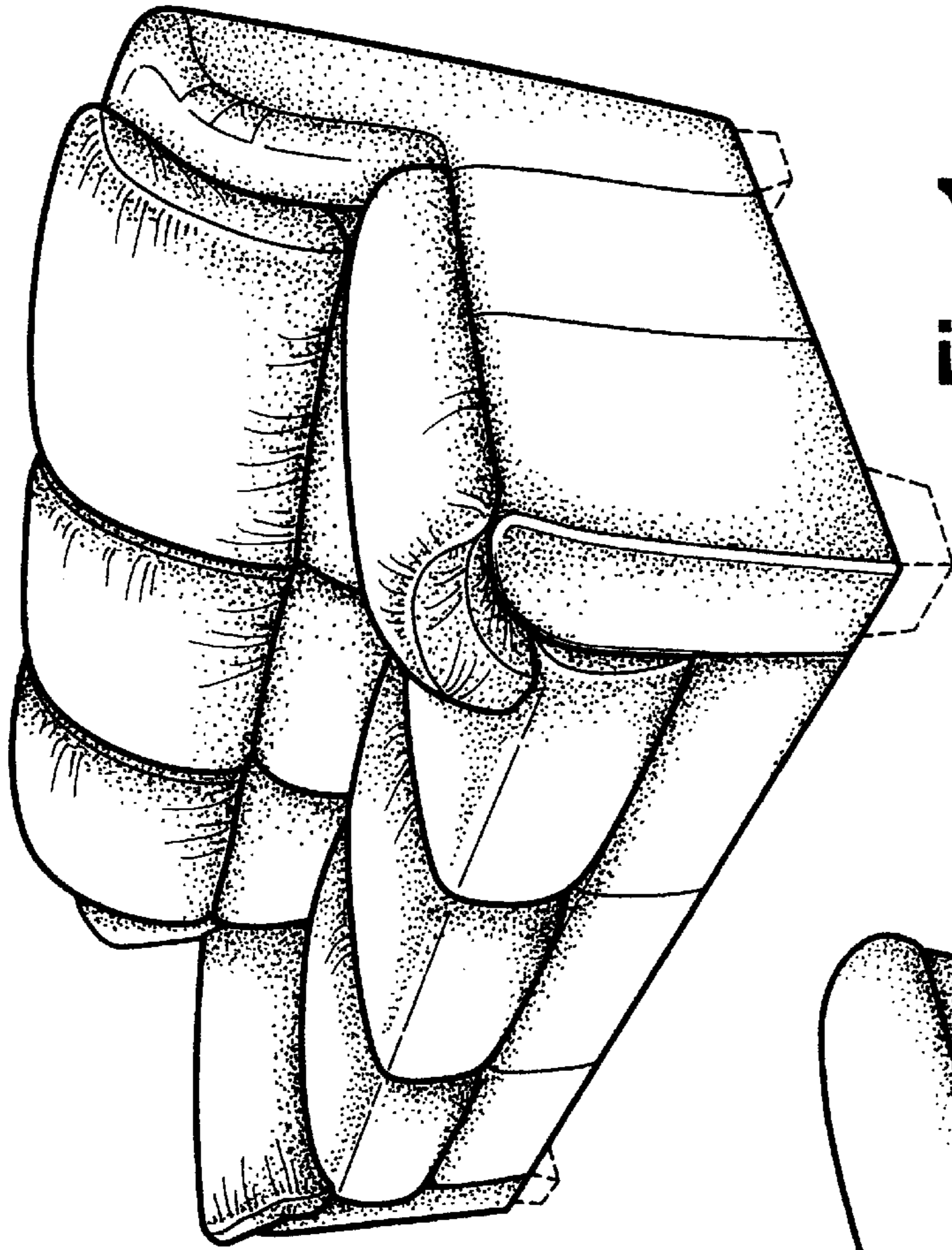


Fig. 1

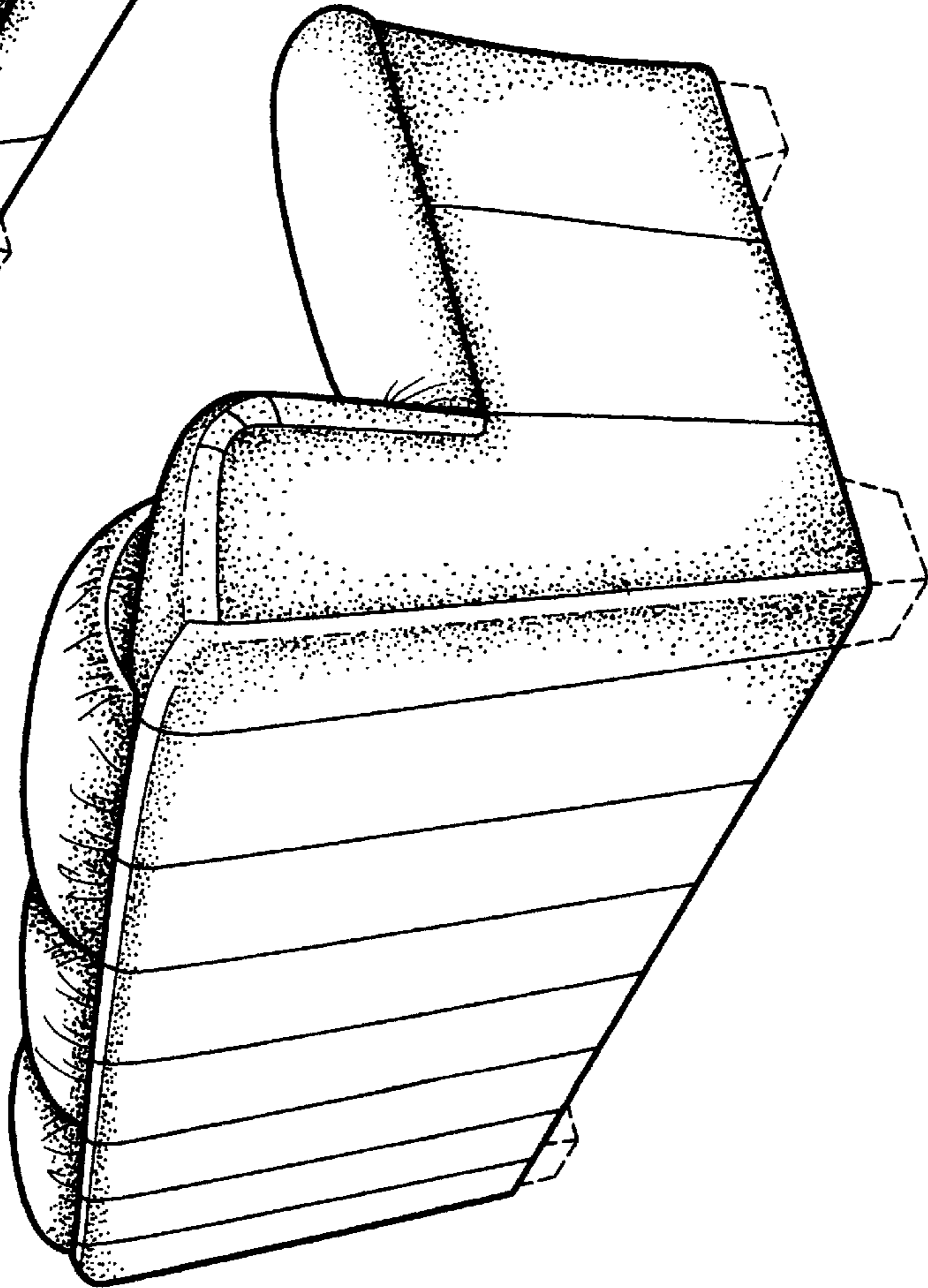


Fig. 2

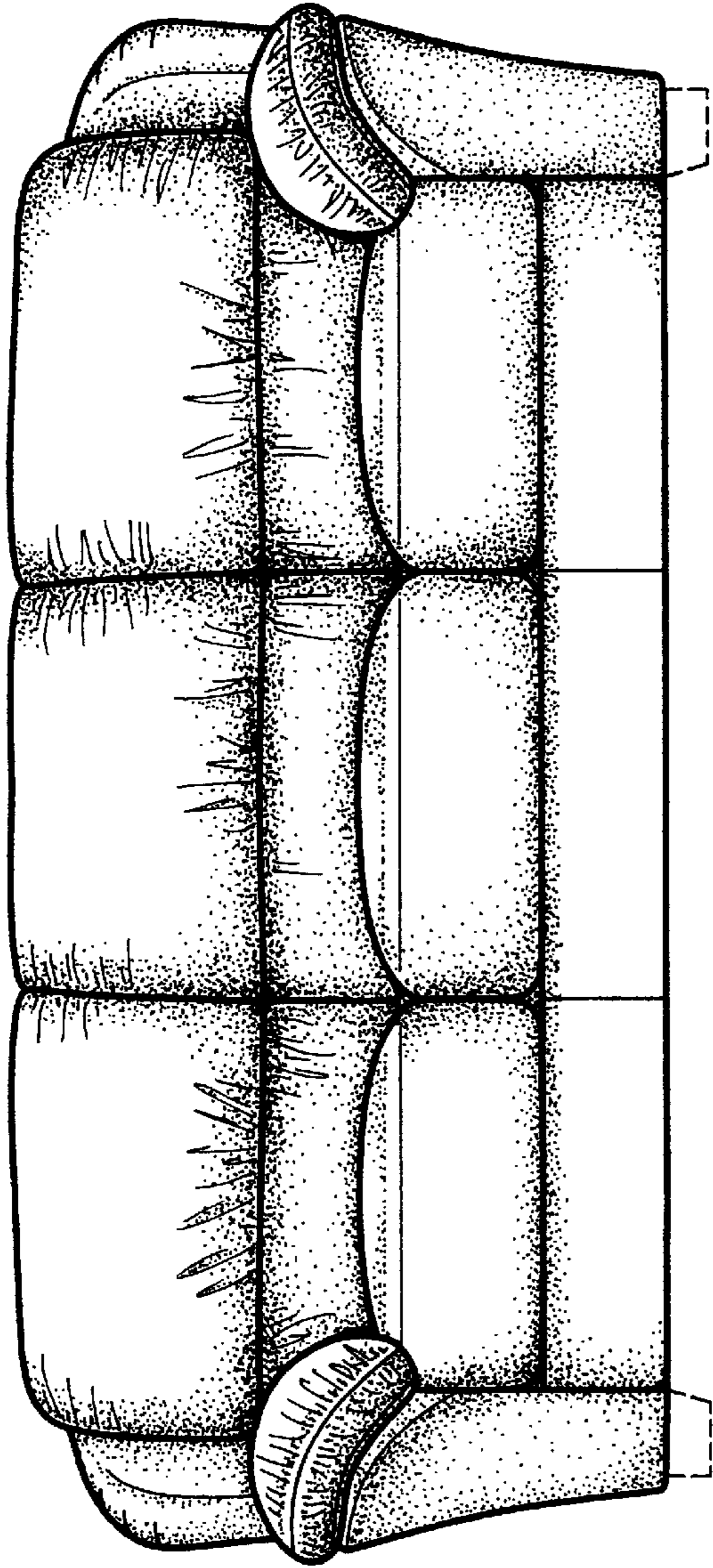


Fig. 3

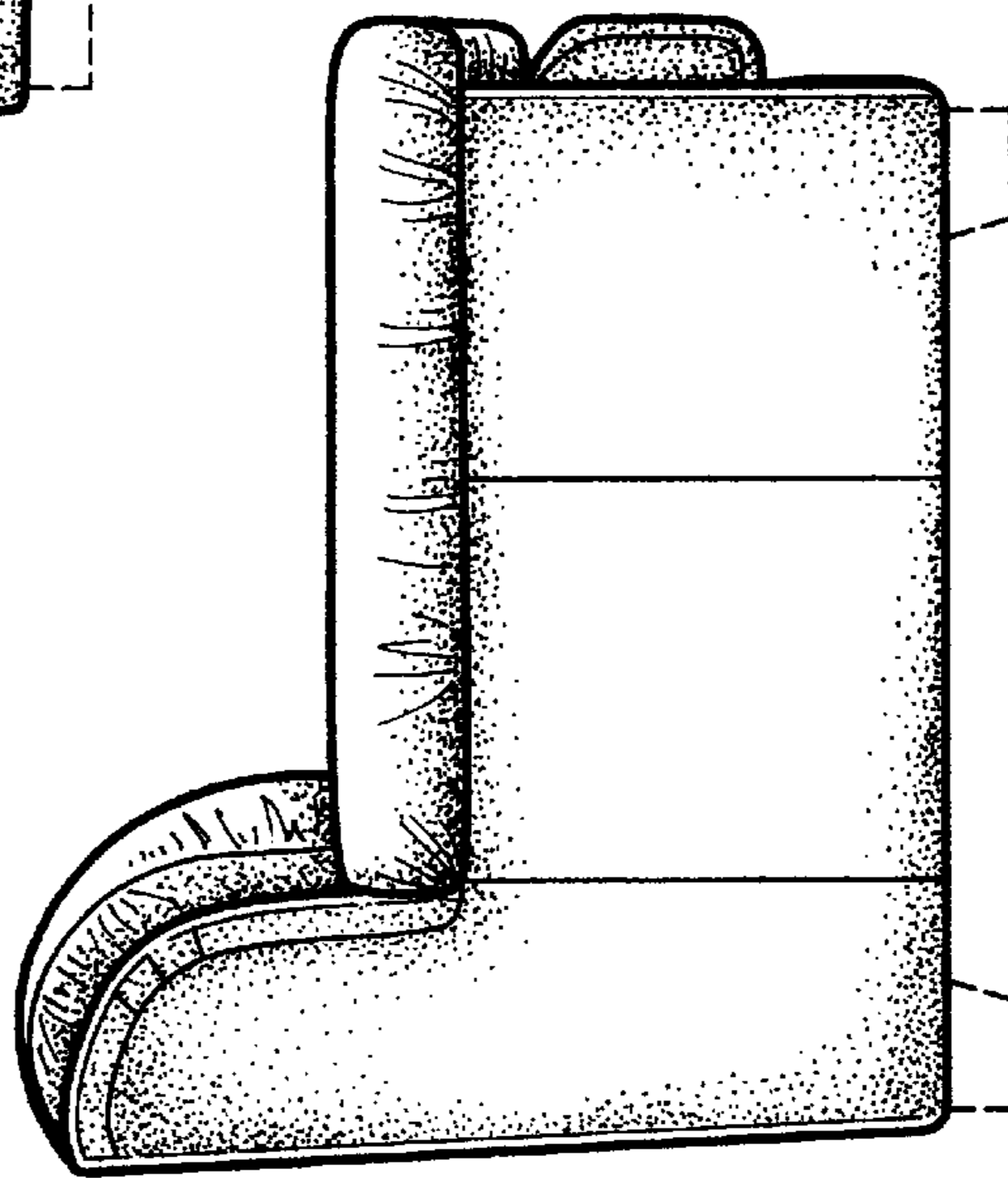


Fig. 4

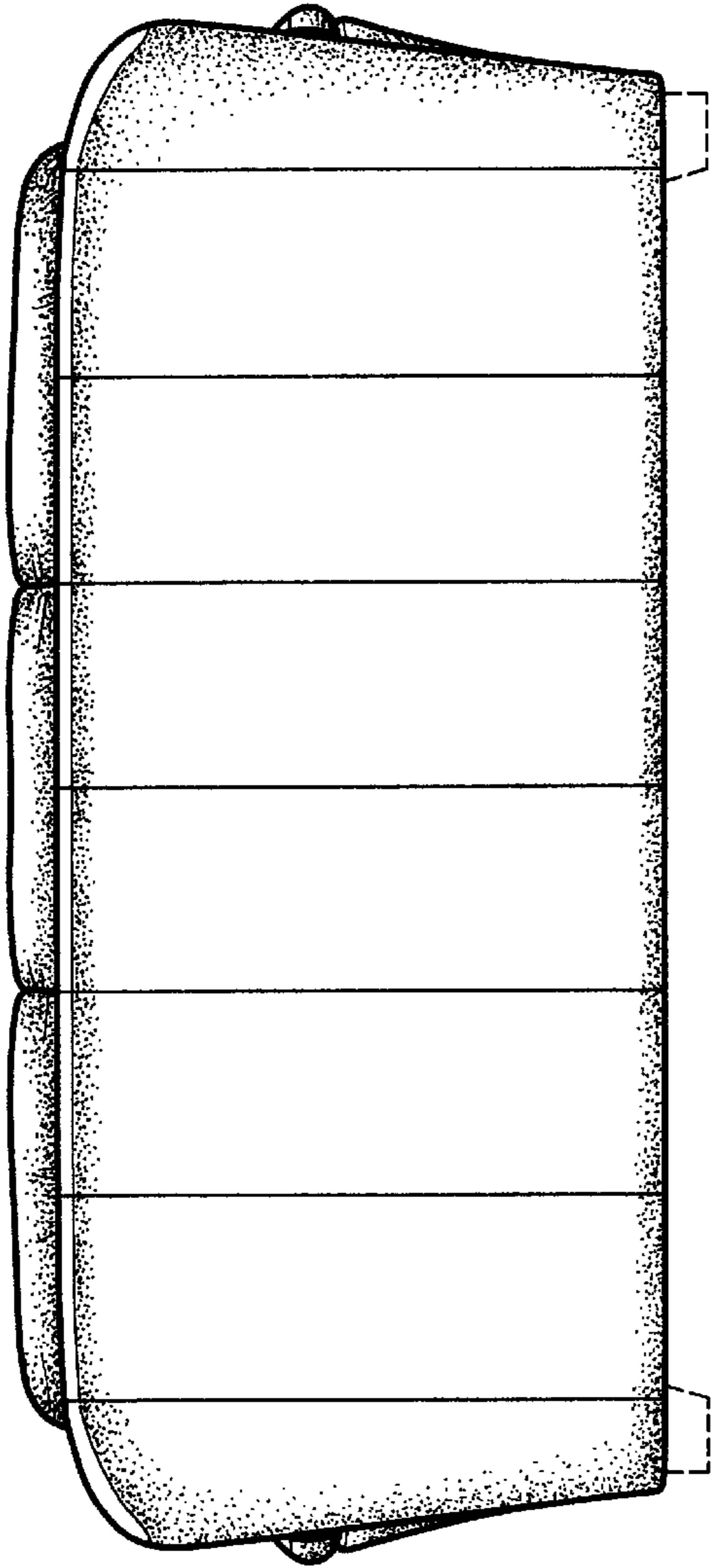


Fig. 5

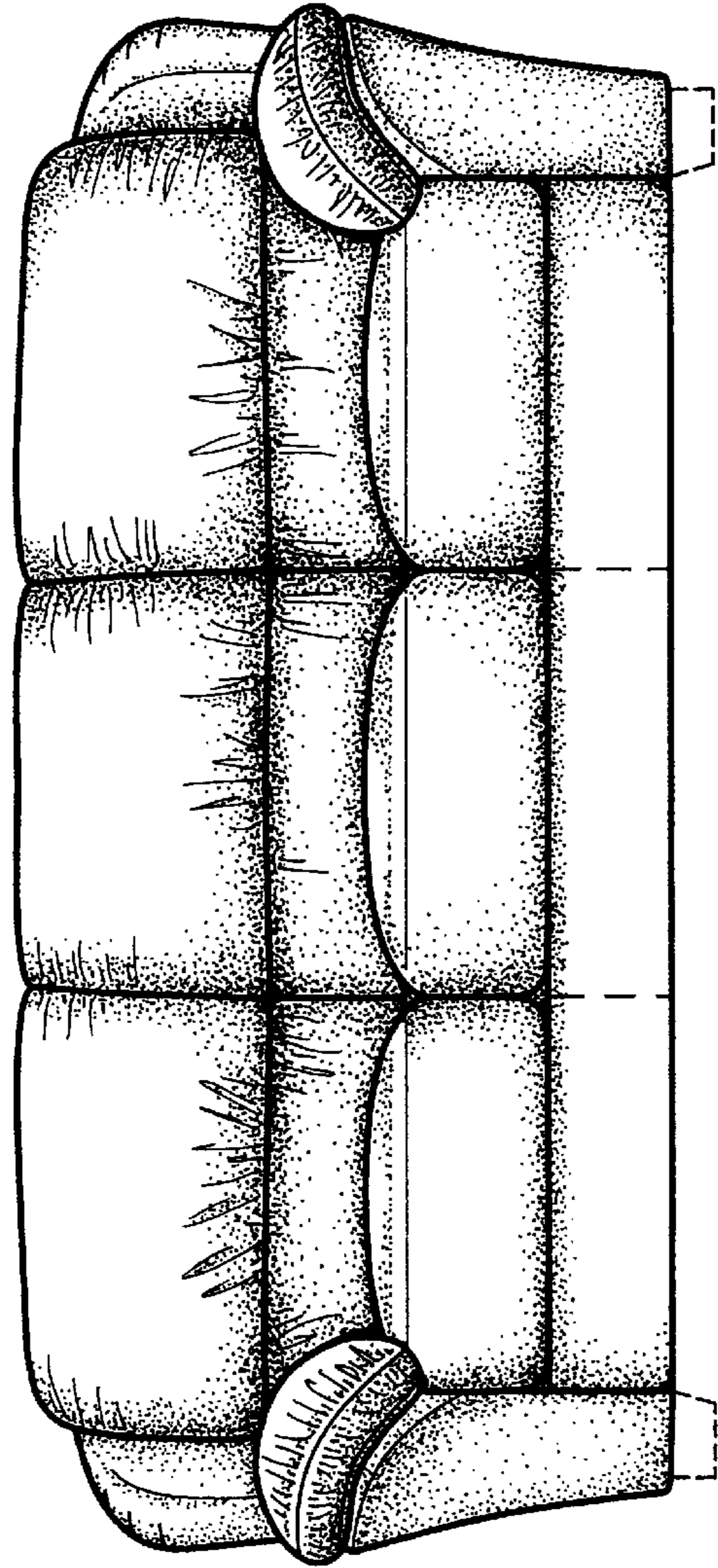


Fig. 6

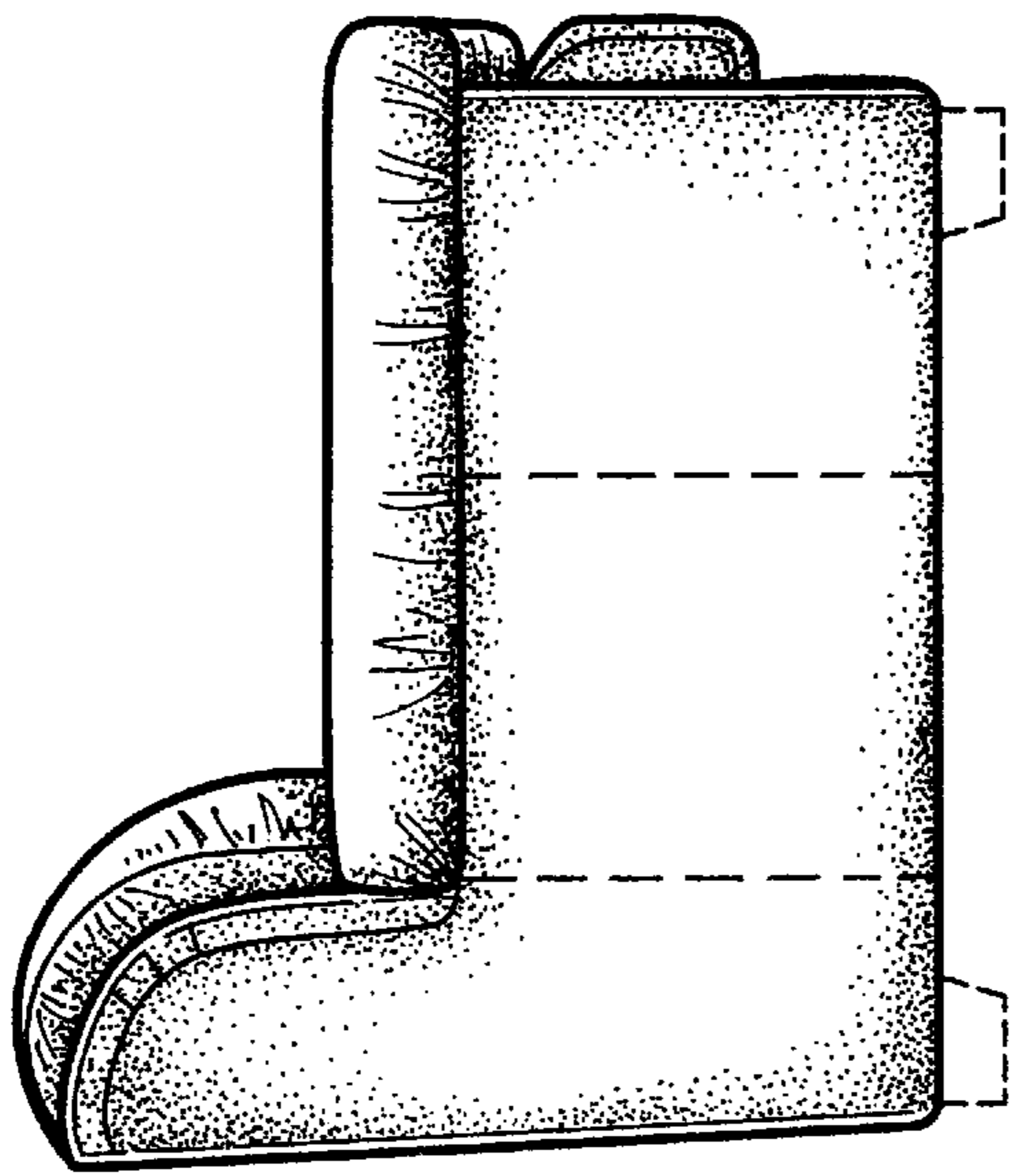


Fig. 7

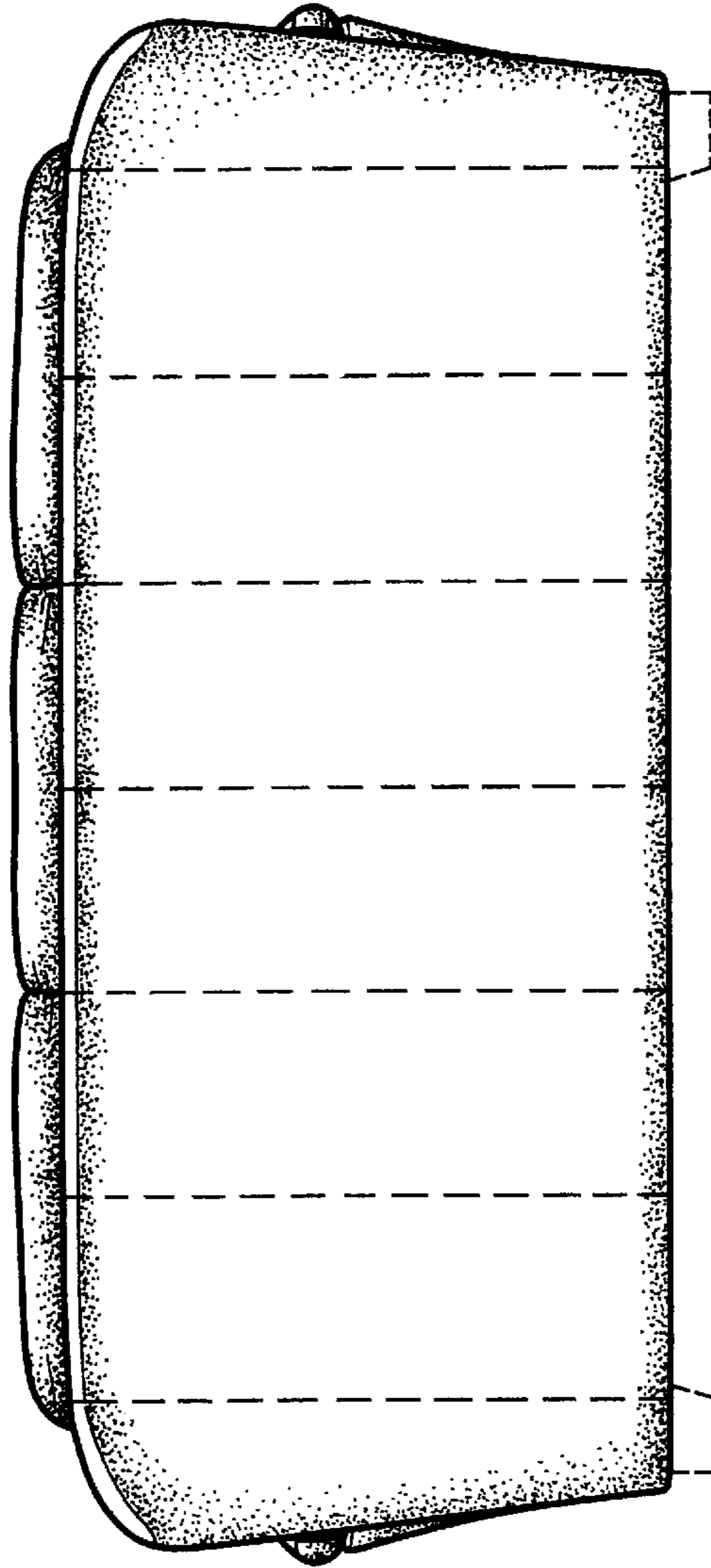


Fig. 8