



US00D475212S

(12) **United States Design Patent**
Savini

(10) **Patent No.:** **US D475,212 S**

(45) **Date of Patent:** **** Jun. 3, 2003**

(54) **CHAIR**

(75) Inventor: **Ricardo Savini**, Ancona (IT)

(73) Assignee: **B.Z.B.-S.P.A.**, Camerano (IT)

(**) Term: **14 Years**

(21) Appl. No.: **29/163,504**

(22) Filed: **Jul. 3, 2002**

(30) **Foreign Application Priority Data**

Jan. 4, 2002 (IT) AN2002O0001

(51) **LOC (7) Cl.** **06-01**

(52) **U.S. Cl.** **D6/374; D6/380**

(58) **Field of Search** D6/334, 374, 375,
D6/379, 380, 500, 501, 502; 297/445.1,
446.1

(56) **References Cited**

U.S. PATENT DOCUMENTS

D219,032 S * 10/1970 Christenson, Jr. D6/374
D336,795 S * 6/1993 Rowe et al. D6/380
D352,183 S * 11/1994 Sheridan D6/374
D357,594 S * 4/1995 Kellen D6/374

D409,848 S * 5/1999 Staubach et al. D6/334

D426,972 S * 6/2000 Bellini D6/375

D449,459 S * 10/2001 Diez Mintegi D6/374

D458,467 S * 6/2002 Starck D6/374

D460,282 S * 7/2002 Starck D6/374

* cited by examiner

Primary Examiner—Gary D. Watson

(74) *Attorney, Agent, or Firm*—Armstrong, Westerman & Hattori, LLP

(57) **CLAIM**

The ornamental design for a chair, as shown and described.

DESCRIPTION

FIG. 1 is a left perspective view of a chair, showing my new design.

FIG. 2 is a right perspective view thereof.

FIG. 3 is a front elevational view thereof.

FIG. 4 is a rear elevational view thereof.

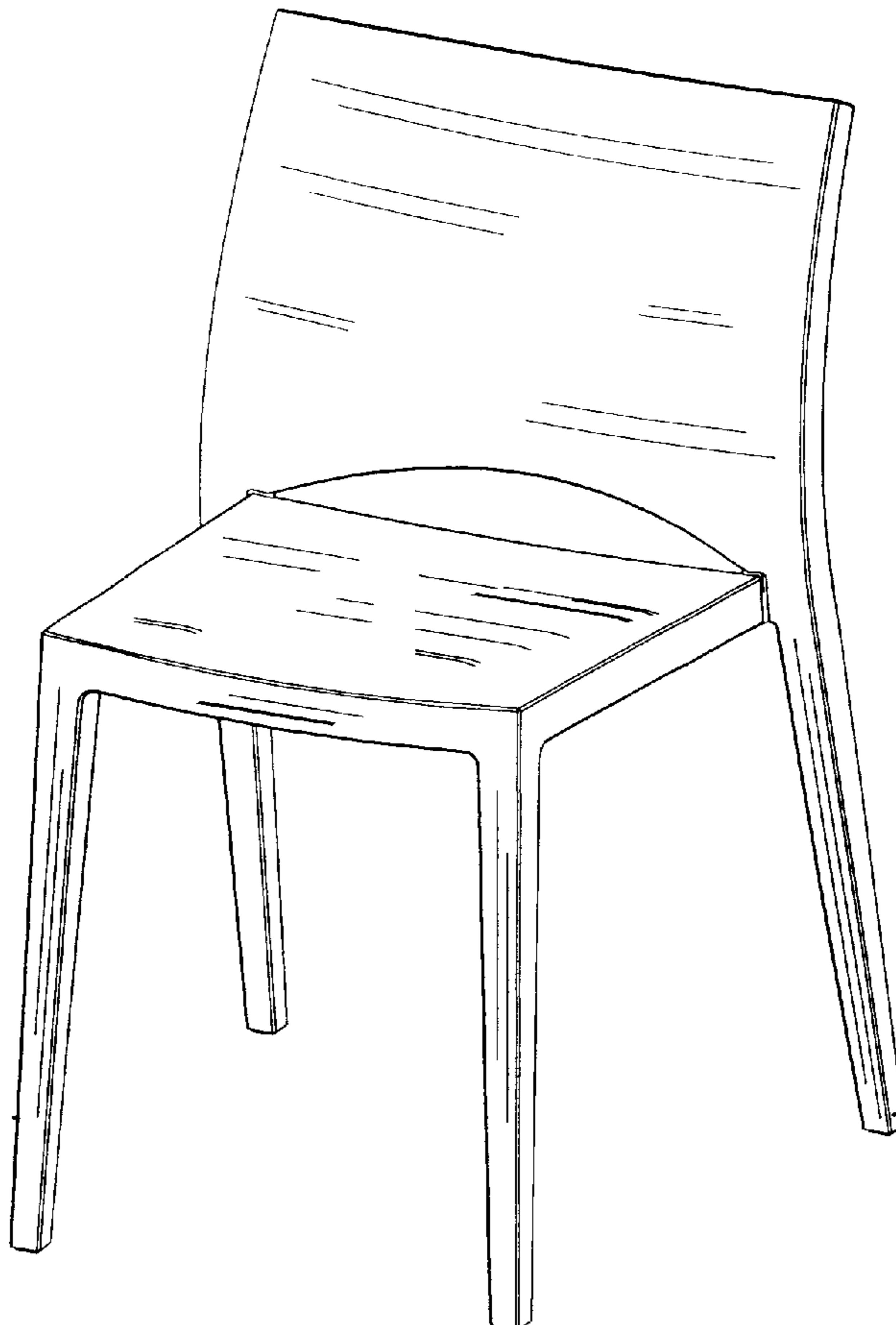
FIG. 5 is a right side elevational view thereof.

FIG. 6 is a left side elevational view thereof.

FIG. 7 is a bottom plan view thereof; and,

FIG. 8 is a top plan view thereof.

1 Claim, 4 Drawing Sheets



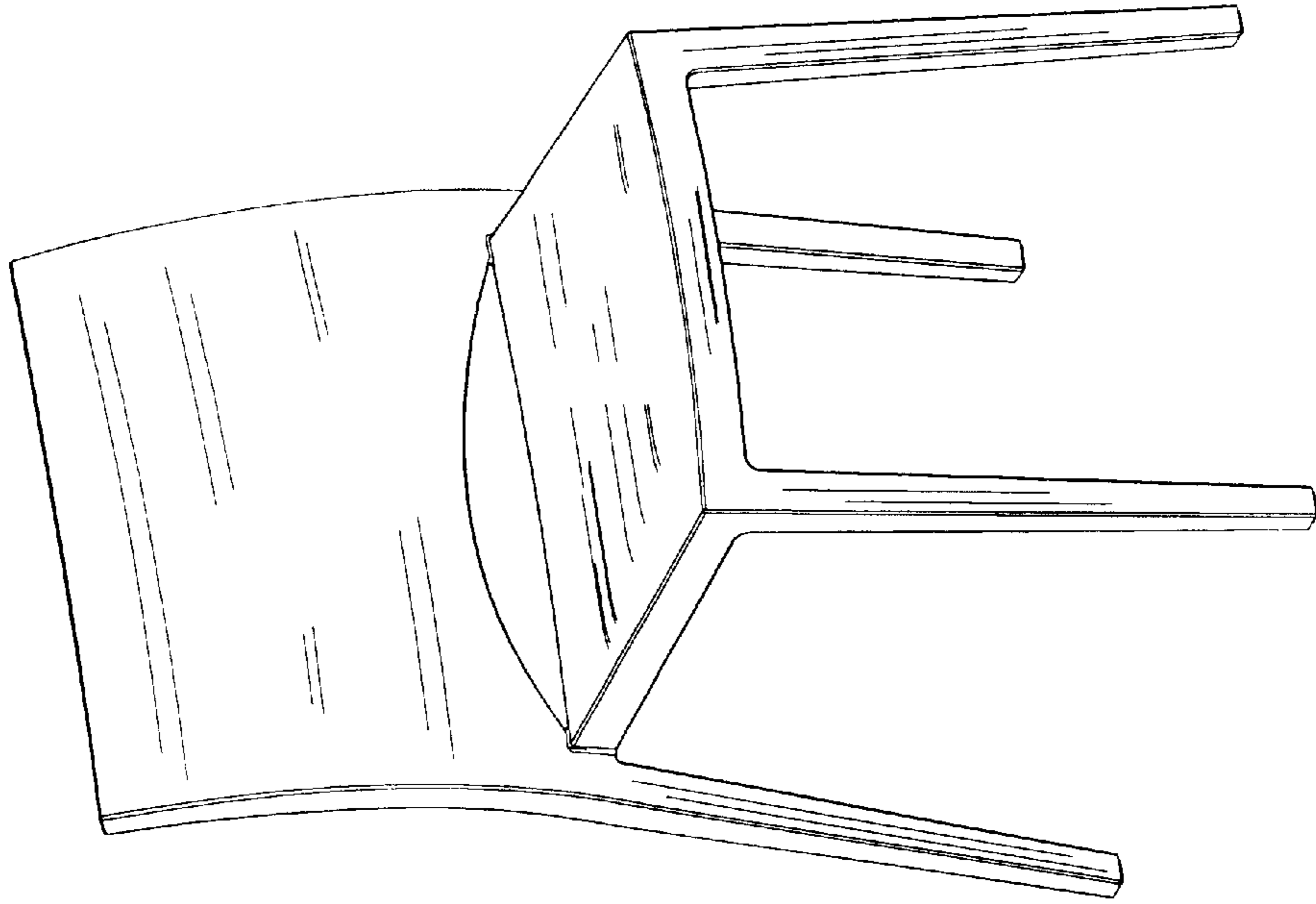


Fig. 2

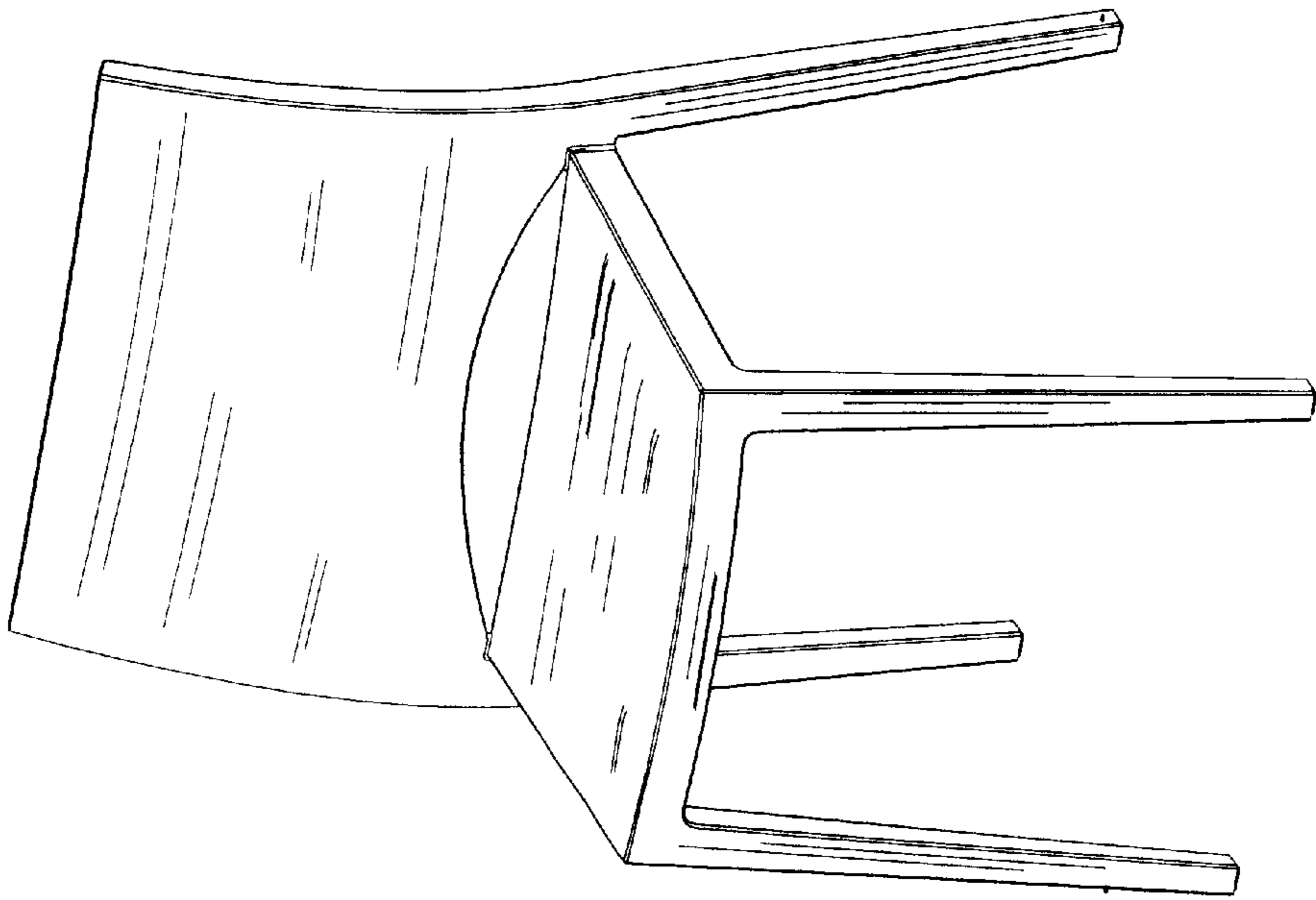


Fig. 1

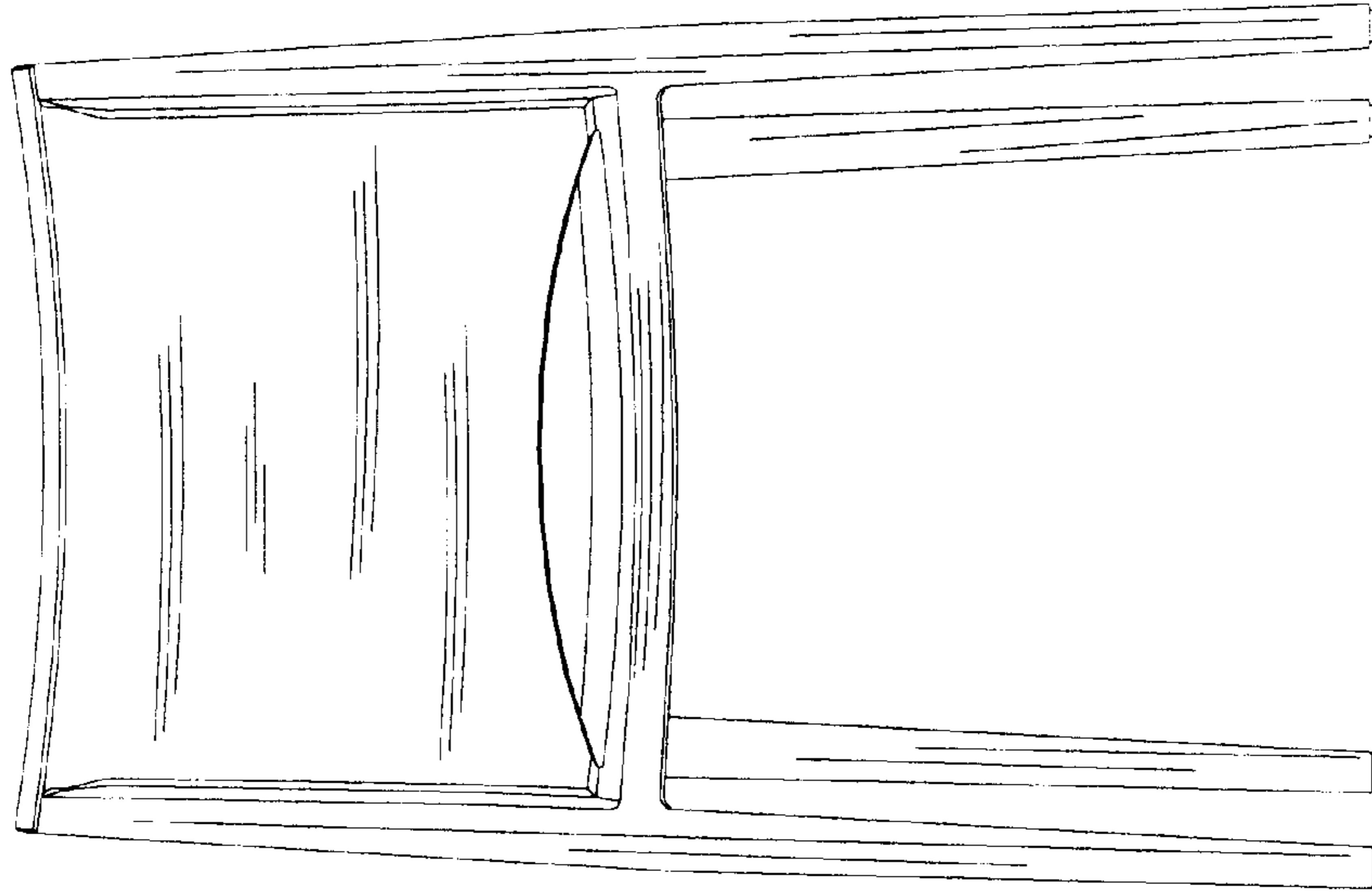


Fig. 4

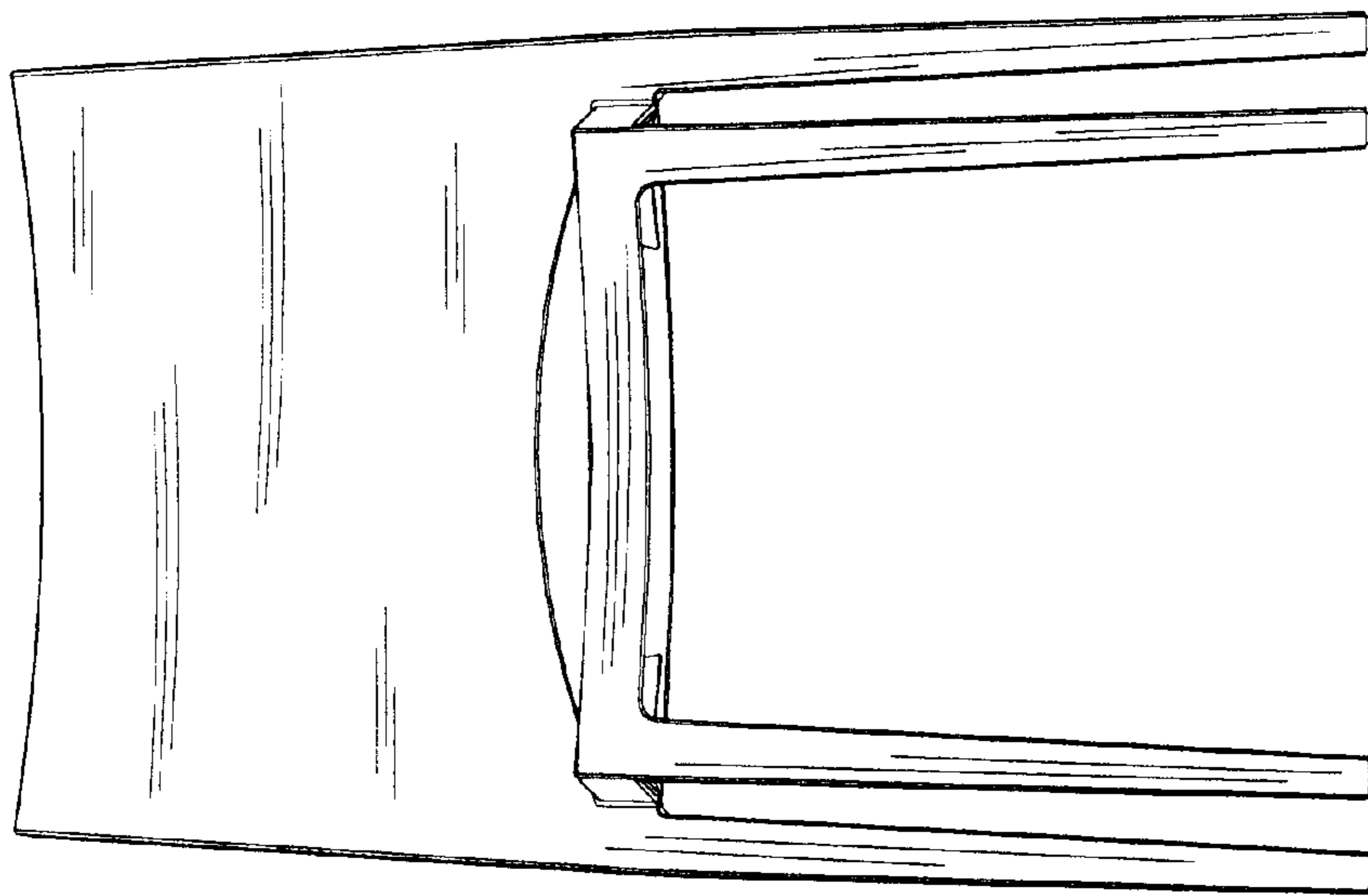


Fig. 3

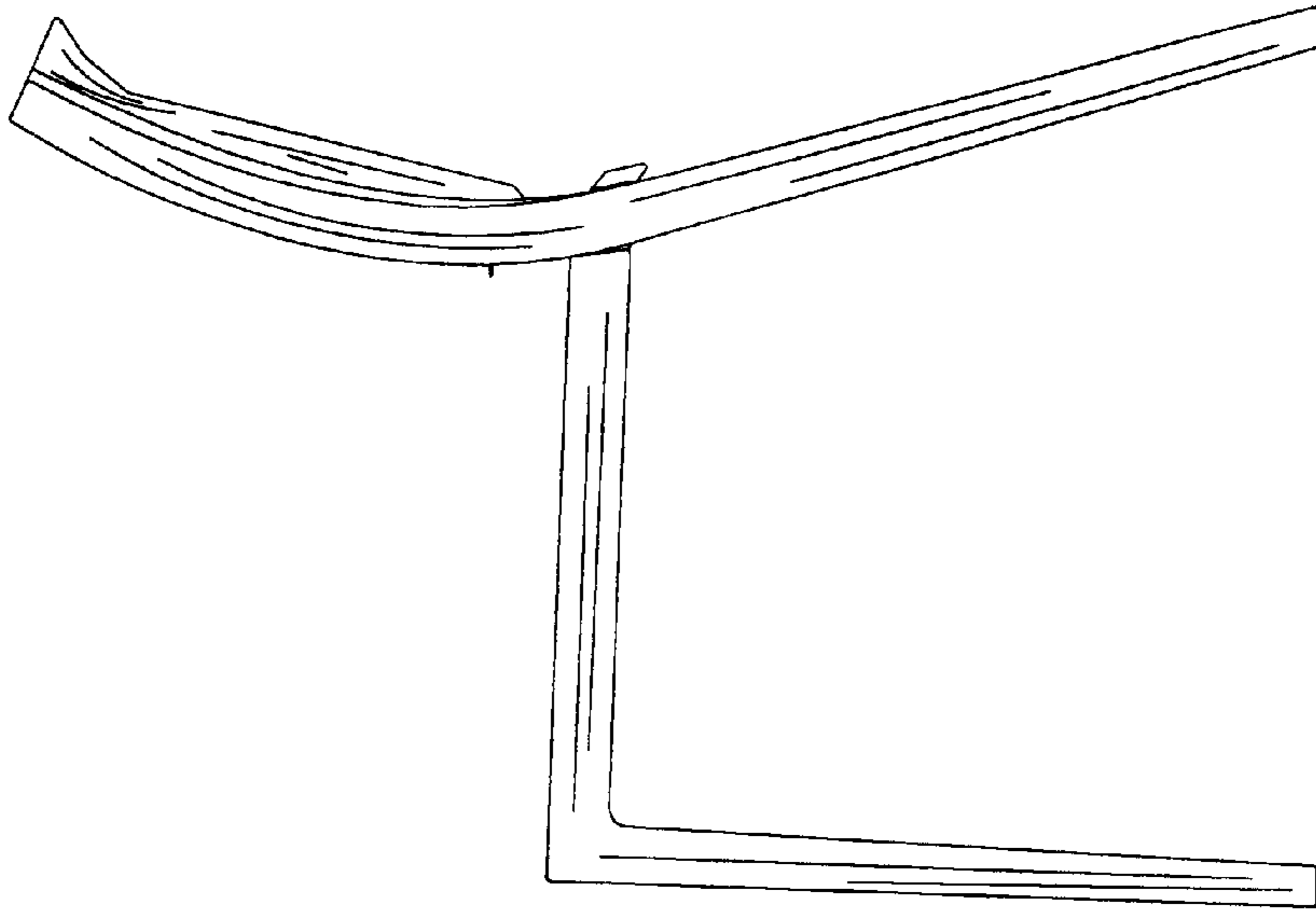


Fig. 6

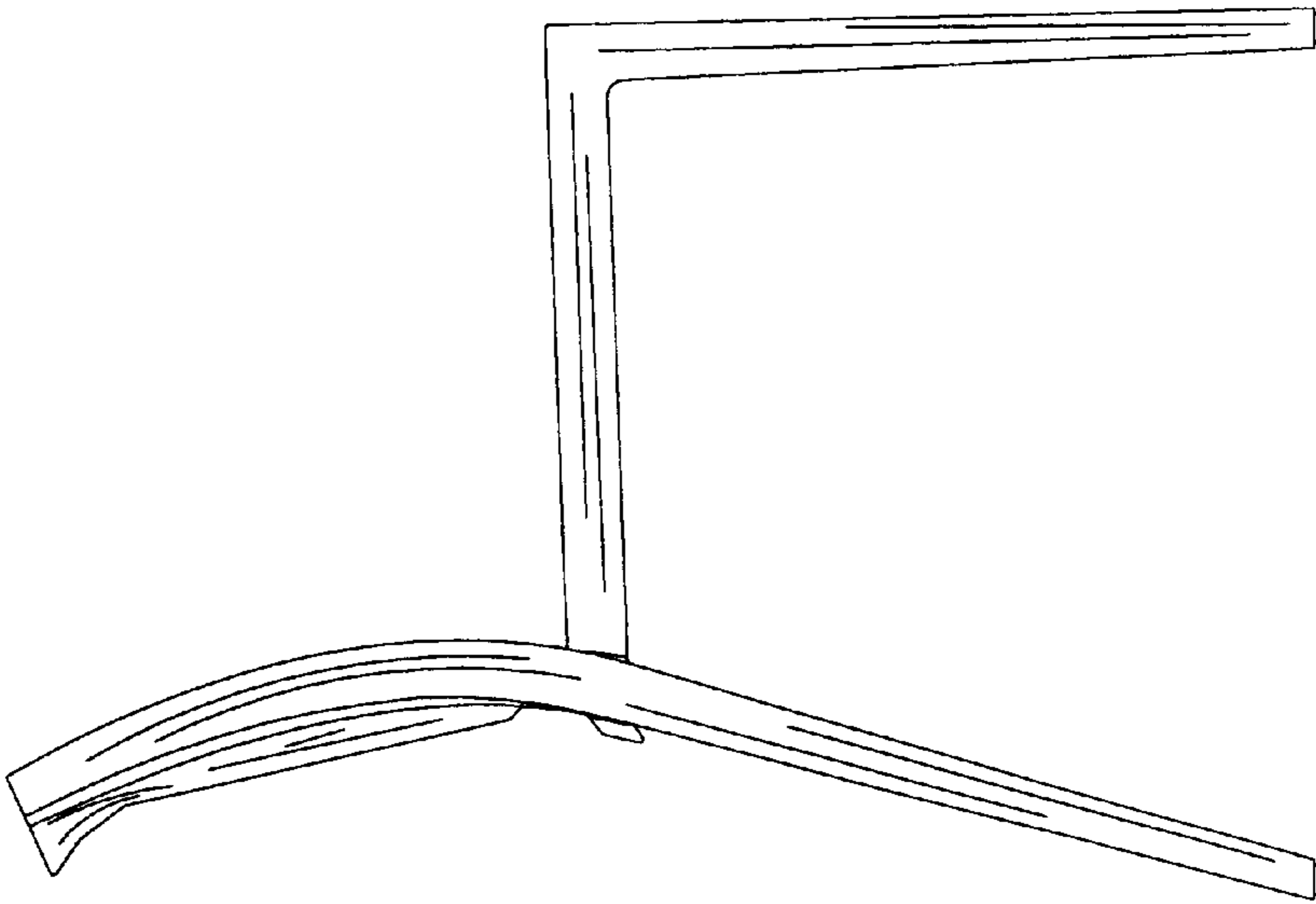


Fig. 5

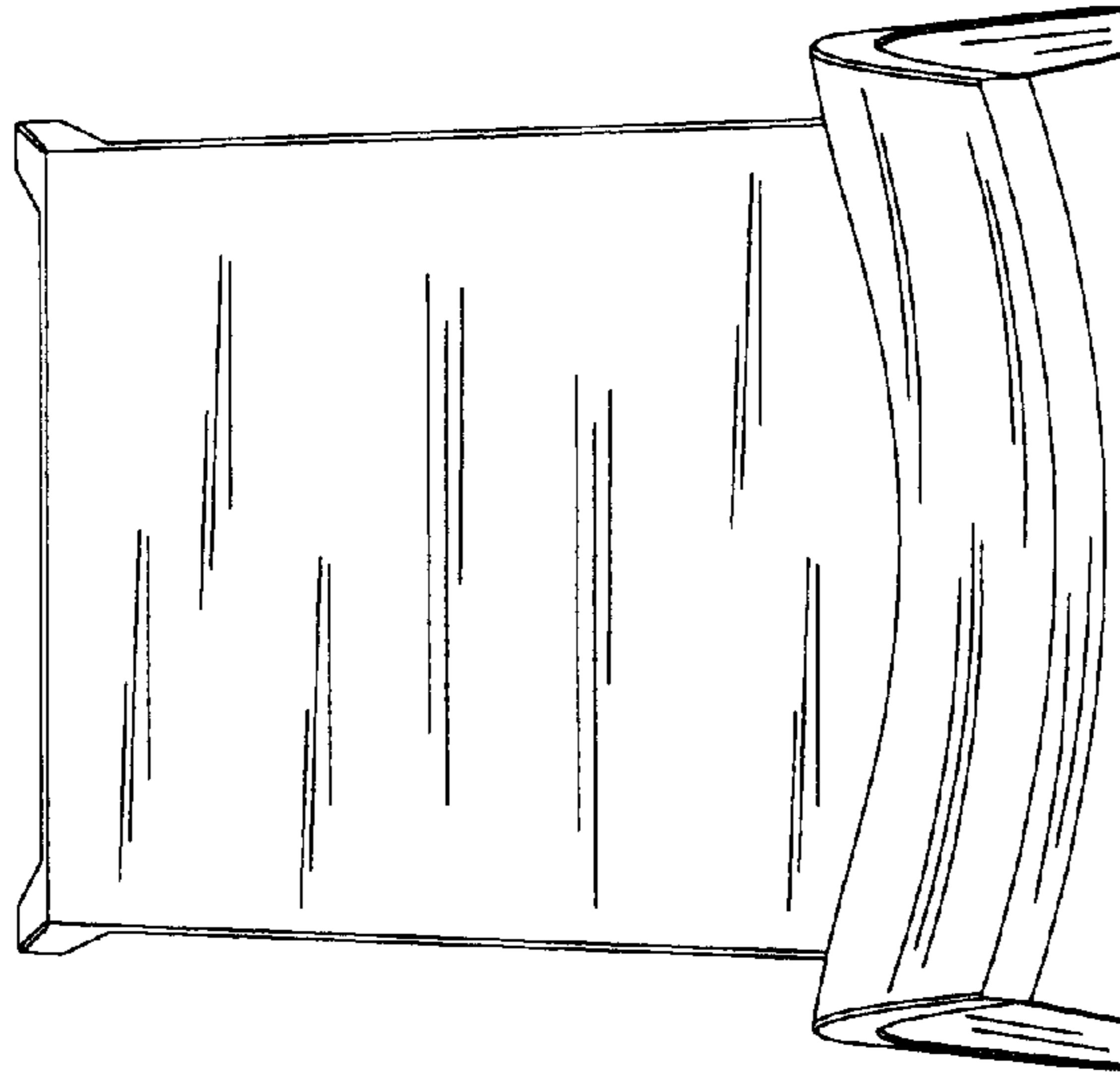


Fig. 8

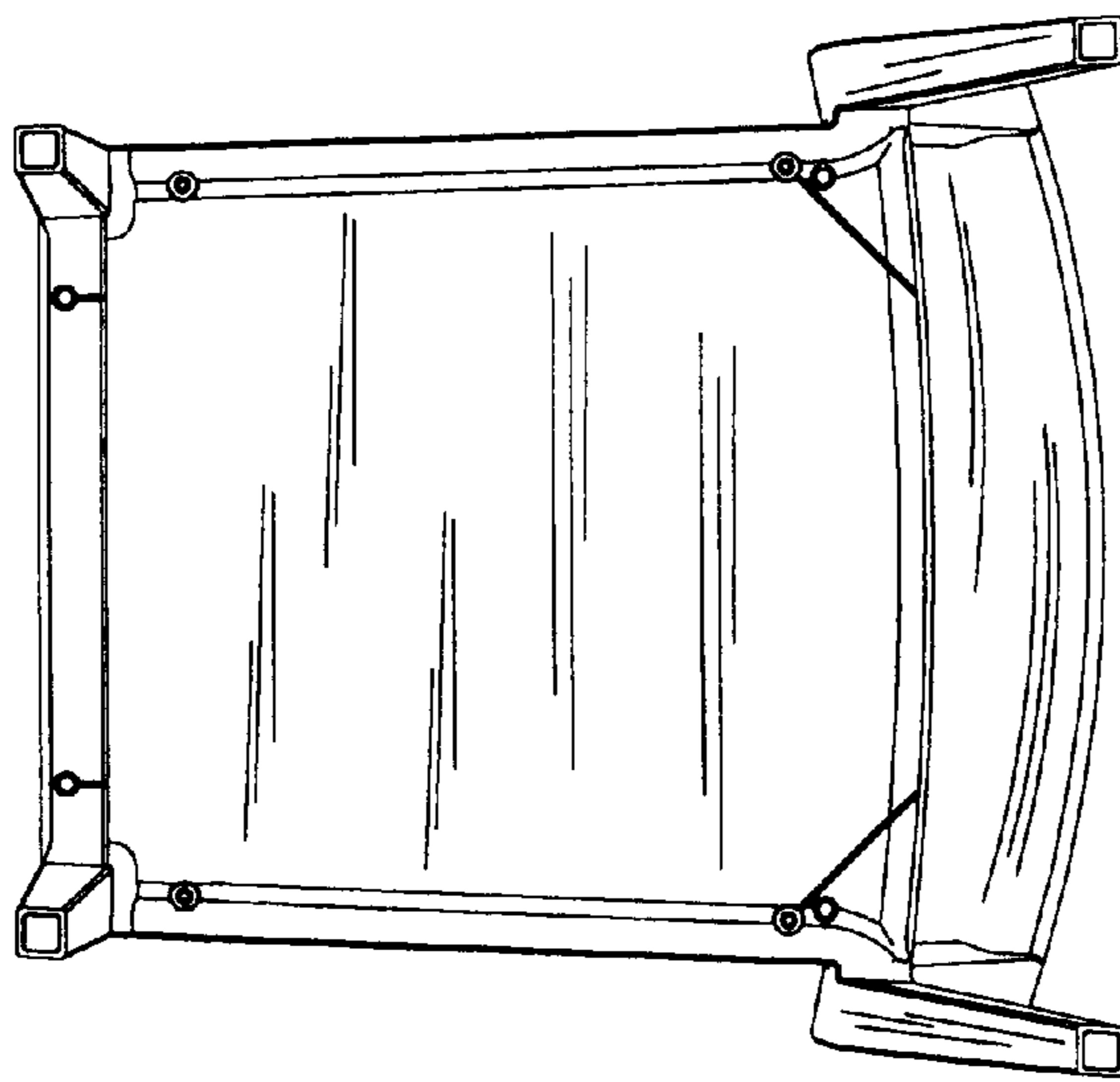


Fig. 7