



US00D475210S

(12) **United States Design Patent**  
**Tsai**

(10) **Patent No.:** **US D475,210 S**

(45) **Date of Patent:** **\*\* Jun. 3, 2003**

- (54) **CHAIR**
- (75) Inventor: **Wen-Ta Tsai**, Hangzhou Zhejiag (CN)
- (73) Assignee: **Zhejiang Himax Furniture Industry Corp. Ltd.**, Hangzhou Zhejiang (CN)
- (\*\*) Term: **14 Years**
- (21) Appl. No.: **29/166,547**
- (22) Filed: **Aug. 29, 2002**
- (51) **LOC (7) Cl.** ..... **06-01**
- (52) **U.S. Cl.** ..... **D6/366**
- (58) **Field of Search** ..... D6/334, 364, 365,  
D6/366, 367, 500, 501, 502; 297/411.2,  
411.29

- D411,928 S \* 7/1999 Ritch et al. .... D6/500
- D422,802 S \* 4/2000 Deacon ..... D6/366
- D449,172 S \* 10/2001 Van DeRiet et al. .... D6/366
- D456,627 S \* 5/2002 Pearce et al. .... D6/366
- D463,920 S \* 10/2002 Pearce et al. .... D6/366

\* cited by examiner

*Primary Examiner*—Gary D. Watson  
(74) *Attorney, Agent, or Firm*—Alan Kamrath; Rider, Bennett, Egan & Arundel, LLP

(57) **CLAIM**

The ornamental design for a chair, as shown and described.

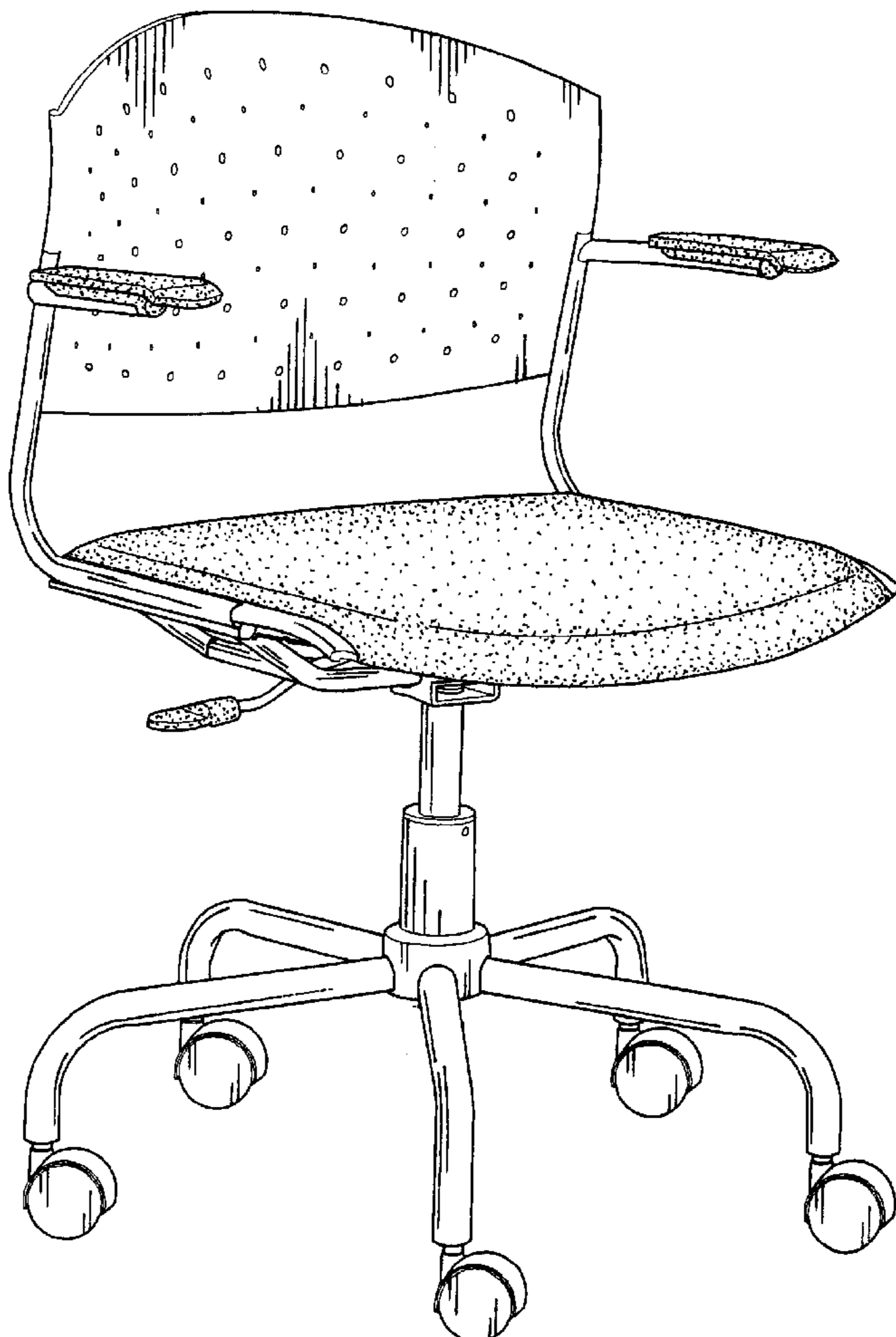
**DESCRIPTION**

FIG. 1 is a front elevational view of a chair, showing my new design;  
FIG. 2 is a rear elevational view thereof;  
FIG. 3 is a left side view thereof;  
FIG. 4 is a right side view thereof;  
FIG. 5 is a top plan view thereof  
FIG. 6 is a bottom plan view thereof; and,  
FIG. 7 is a perspective view thereof.

(56) **References Cited**  
**U.S. PATENT DOCUMENTS**

- D231,286 S \* 4/1974 Dittert ..... D6/366
- D253,677 S \* 12/1979 Lubke ..... D6/366
- D277,144 S \* 1/1985 Murry ..... D6/366
- D288,747 S \* 3/1987 Schultz ..... D6/366
- D368,172 S \* 3/1996 Locher ..... D6/366

**1 Claim, 7 Drawing Sheets**



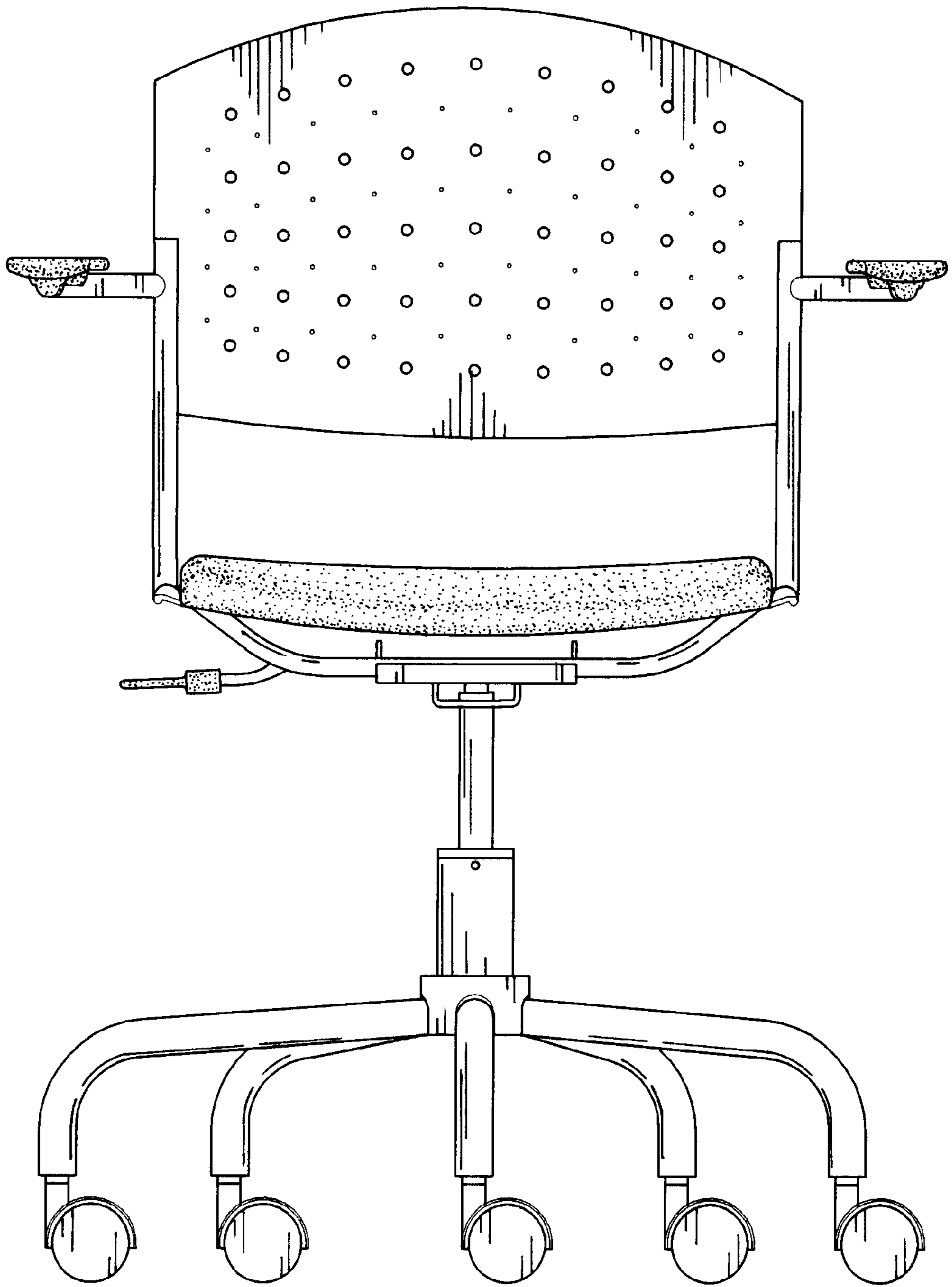


FIG.1

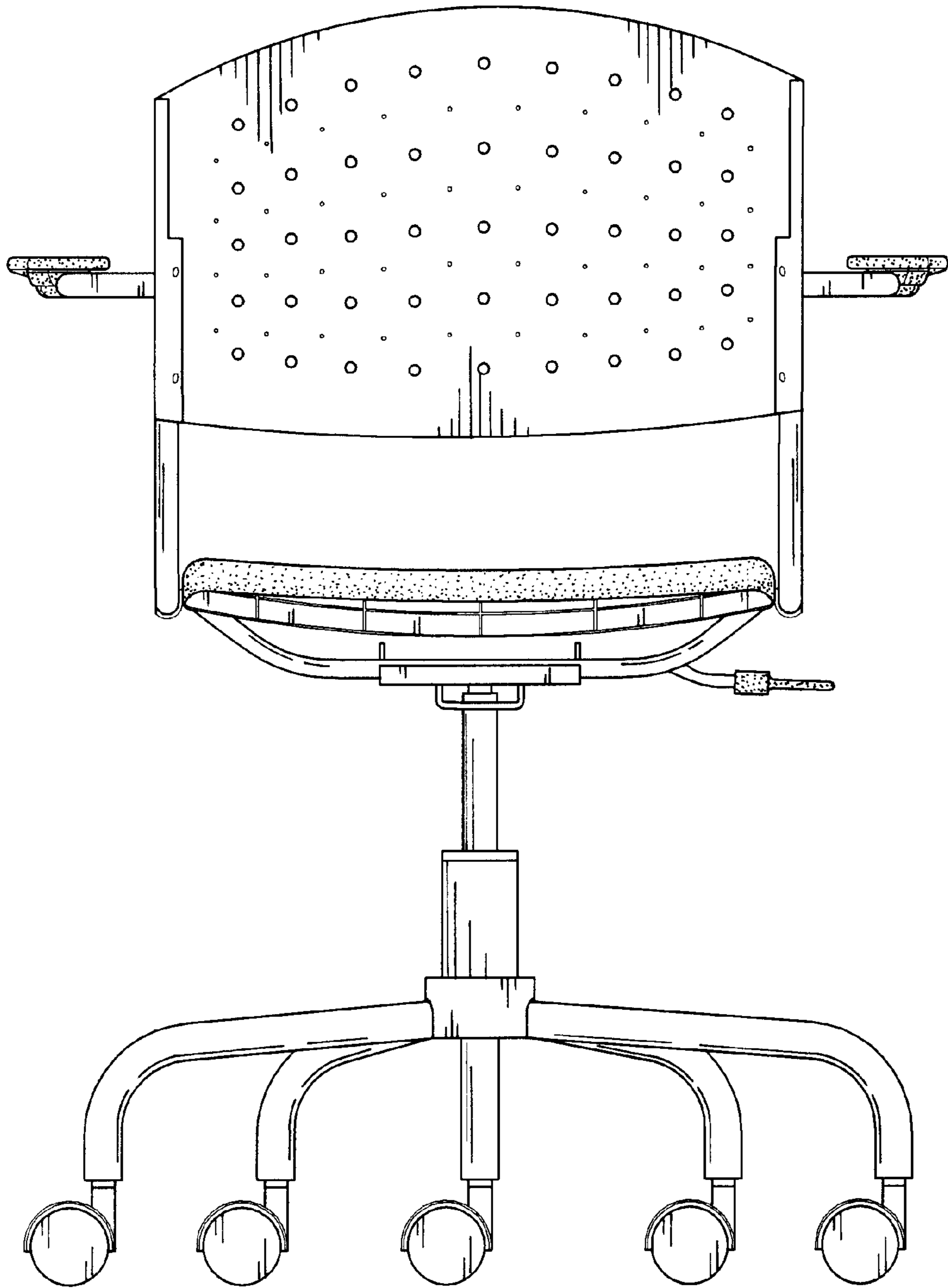


FIG.2

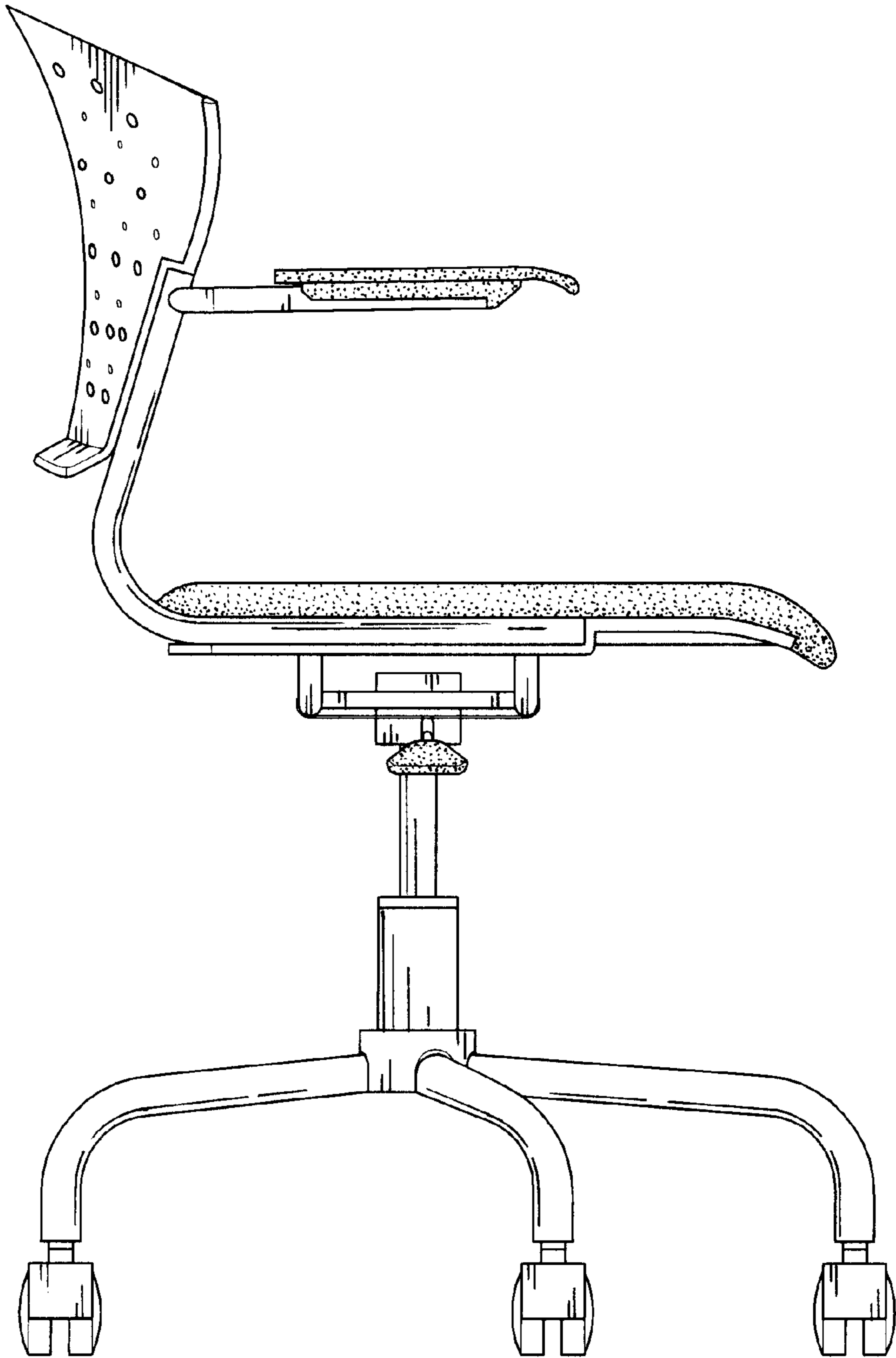


FIG.3

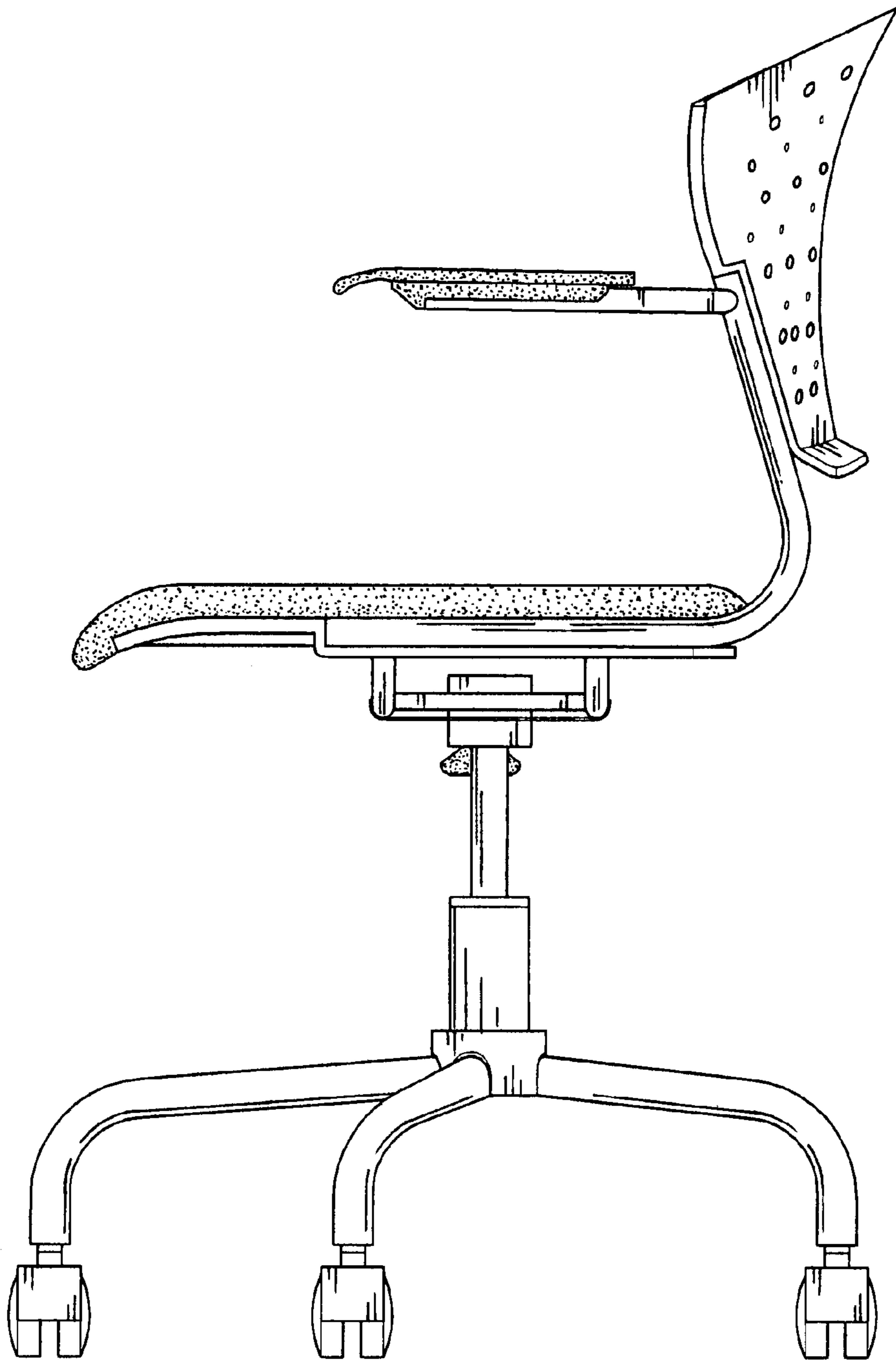


FIG.4



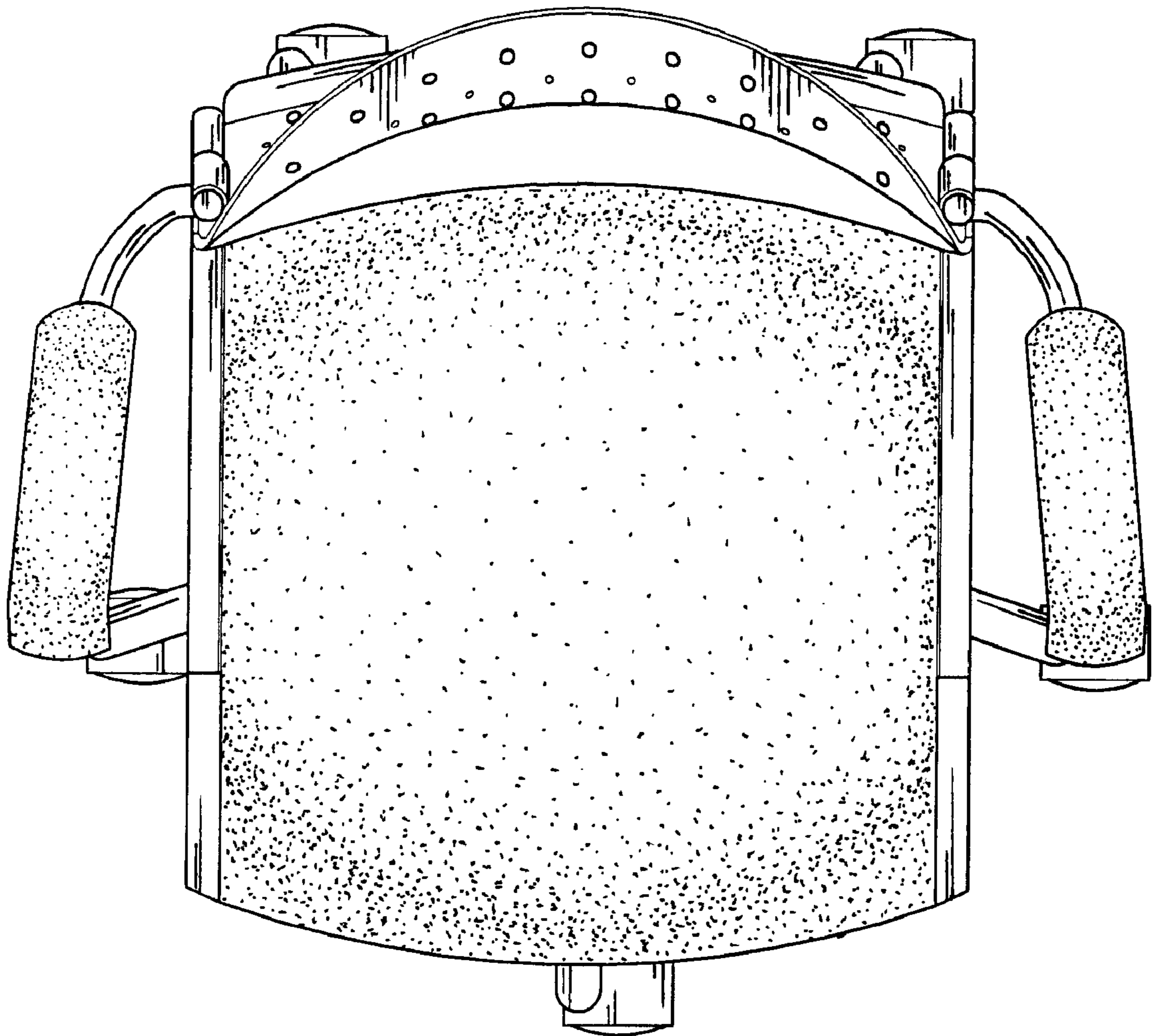


FIG.5

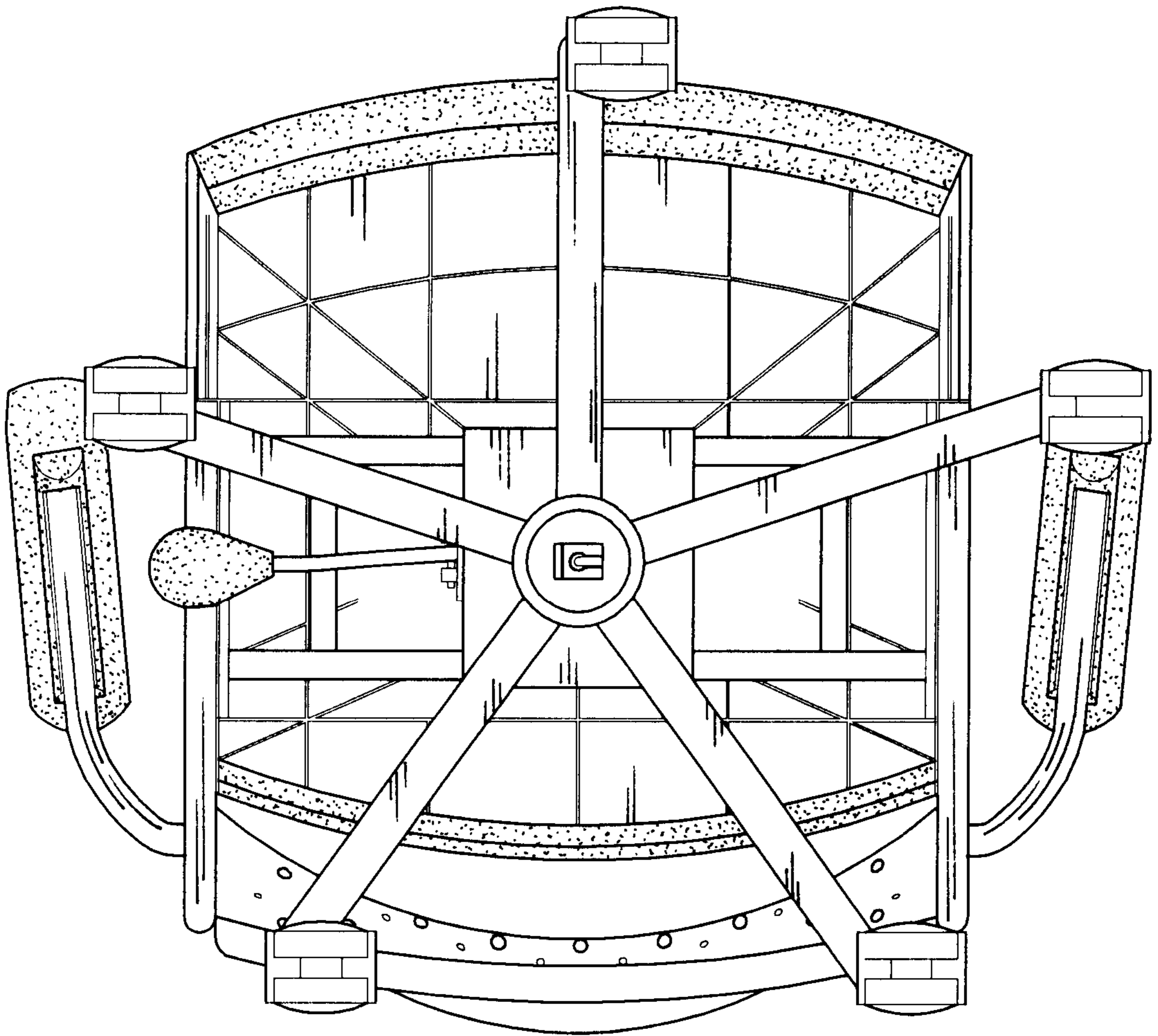


FIG.6

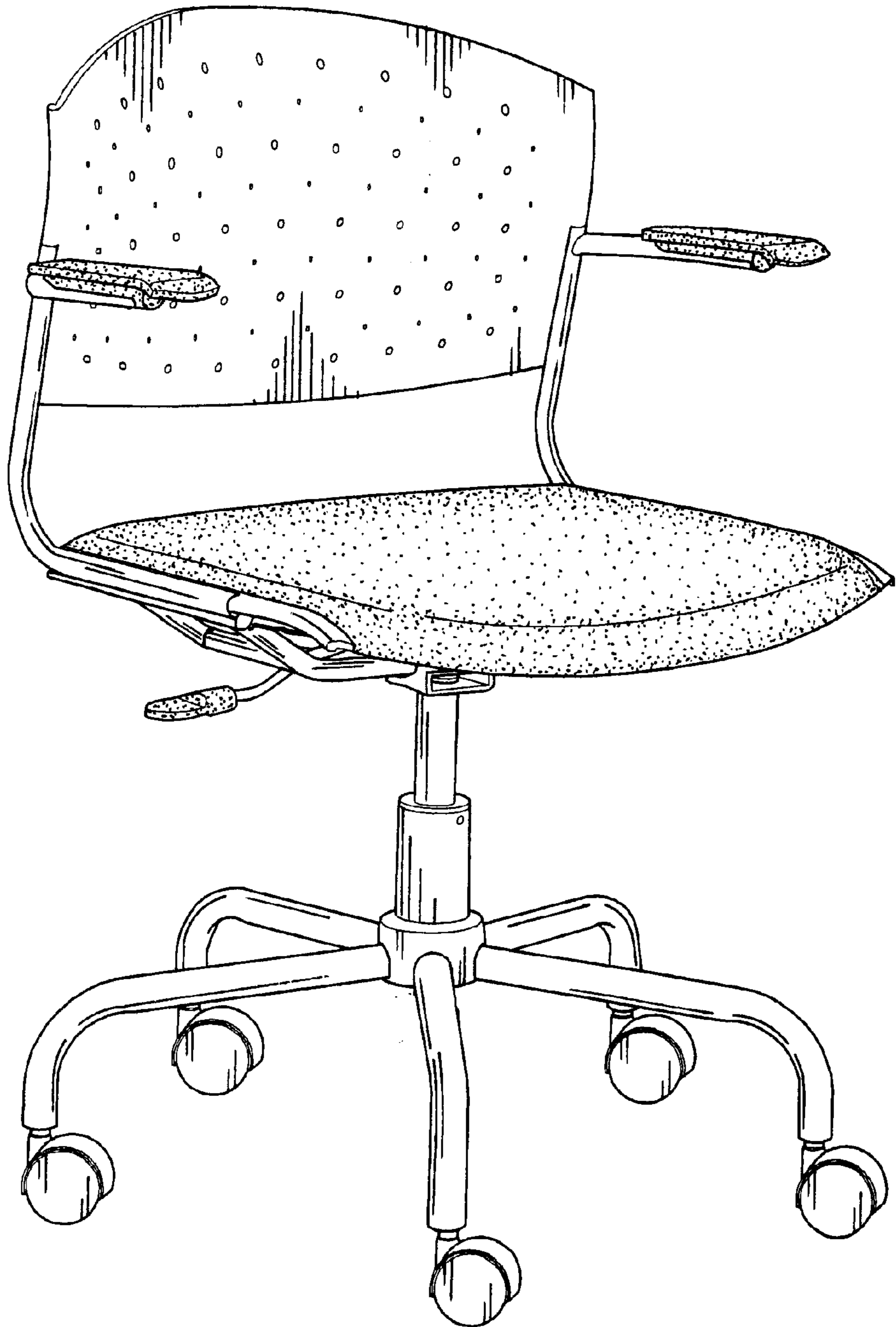


FIG.7