



US00D475207S

(12) **United States Design Patent**
Bosman et al.

(10) **Patent No.:** **US D475,207 S**

(45) **Date of Patent:** **** Jun. 3, 2003**

(54) **COMBINATION CHAIR AND DESK UNIT**

(75) Inventors: **Scott A. Bosman**, Green Bay, WI (US);
Frederick P. Bohl, Neenah, WI (US)

(73) Assignee: **Krueger International, Inc.**, Green Bay, WI (US)

(**) Term: **14 Years**

(21) Appl. No.: **29/153,589**

(22) Filed: **Jan. 9, 2002**

Related U.S. Application Data

(62) Division of application No. 29/131,359, filed on Oct. 19, 2000.

(51) **LOC (7) Cl.** **06-01**

(52) **U.S. Cl.** **D6/338**

(58) **Field of Search** D6/334, 335, 336,
D6/338, 341, 371, 372, 373, 374, 376,
380, 500-502; 297/170, 171, 172, 173,
174, 144, 145, 160, 162, 446.2, 451.3

(56) **References Cited**

U.S. PATENT DOCUMENTS

D149,982 S	6/1948	Sundberg	
2,459,257 A	1/1949	Wood	
D156,695 S	* 1/1950	Brafman D6/336
D159,992 S	* 9/1950	Kump, Jr. D6/338
D169,012 S	* 3/1953	Musacco D6/338
2,661,049 A	* 12/1953	Sebel 297/172
D175,833 S	10/1955	Gratz	

D178,989 S	* 10/1956	Eilert D6/338
D226,066 S	* 1/1973	Barecki D6/338
D240,483 S	7/1976	Sklaroff	
4,097,089 A	6/1978	Petersen	
D249,989 S	10/1978	Radaelli	
D271,448 S	11/1983	Crockett	
D283,563 S	* 4/1986	Arroyo D6/338
D307,837 S	5/1990	Grant	
5,626,394 A	5/1997	Perry	
6,039,392 A	* 3/2000	Dencker 297/172

* cited by examiner

Primary Examiner—Doris V. Coles

Assistant Examiner—Mimosa De

(74) *Attorney, Agent, or Firm*—Boyle, Fredrickson, Newholm, Stein & Gratz, S.C.

(57) **CLAIM**

The ornamental design of a combination chair and desk unit, as shown and described.

DESCRIPTION

FIG. 1 is an isometric view of a combination desk and chair unit incorporating our new design; FIG. 2 is a front elevation view thereof; FIG. 3 is a right side elevation view thereof; the left side elevation view being a mirror image; FIG. 4 is a rear elevation view thereof; FIG. 5 is a top plan view thereof; and, FIG. 6 is a bottom plan view thereof.

The broken lines shown in the drawing are for illustrative purposes only and form no part of the claimed design.

1 Claim, 3 Drawing Sheets

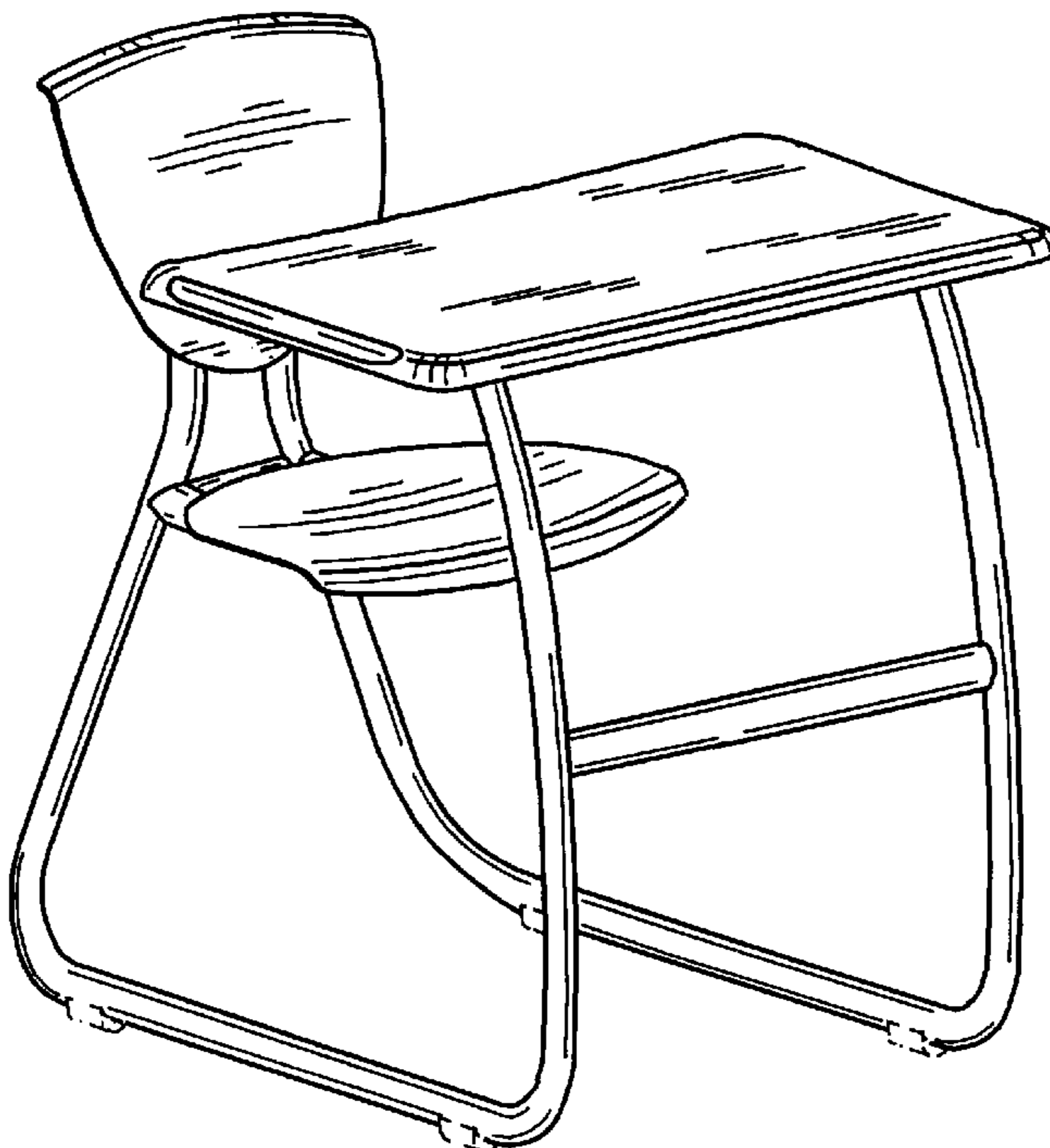


FIG. 1

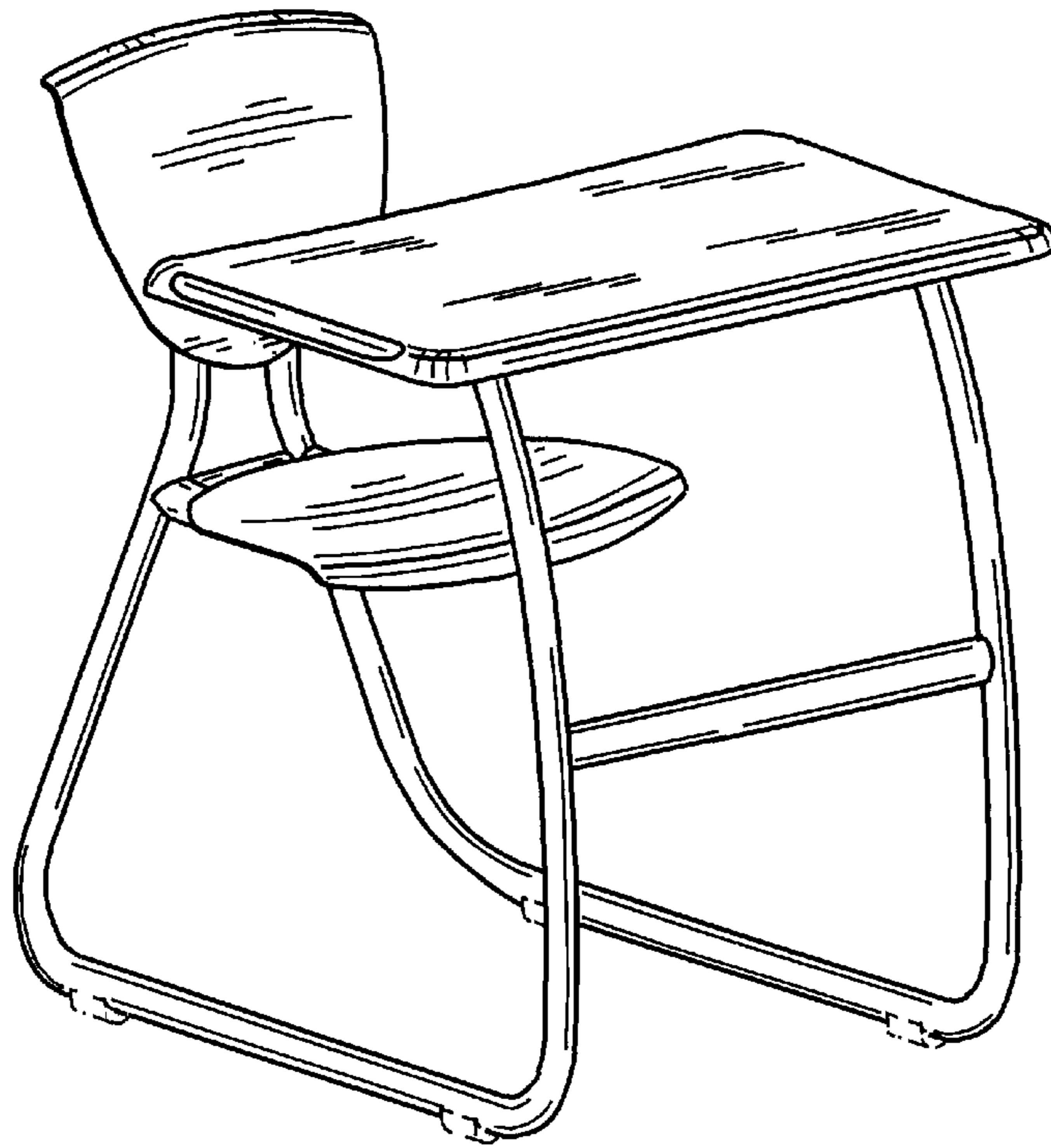
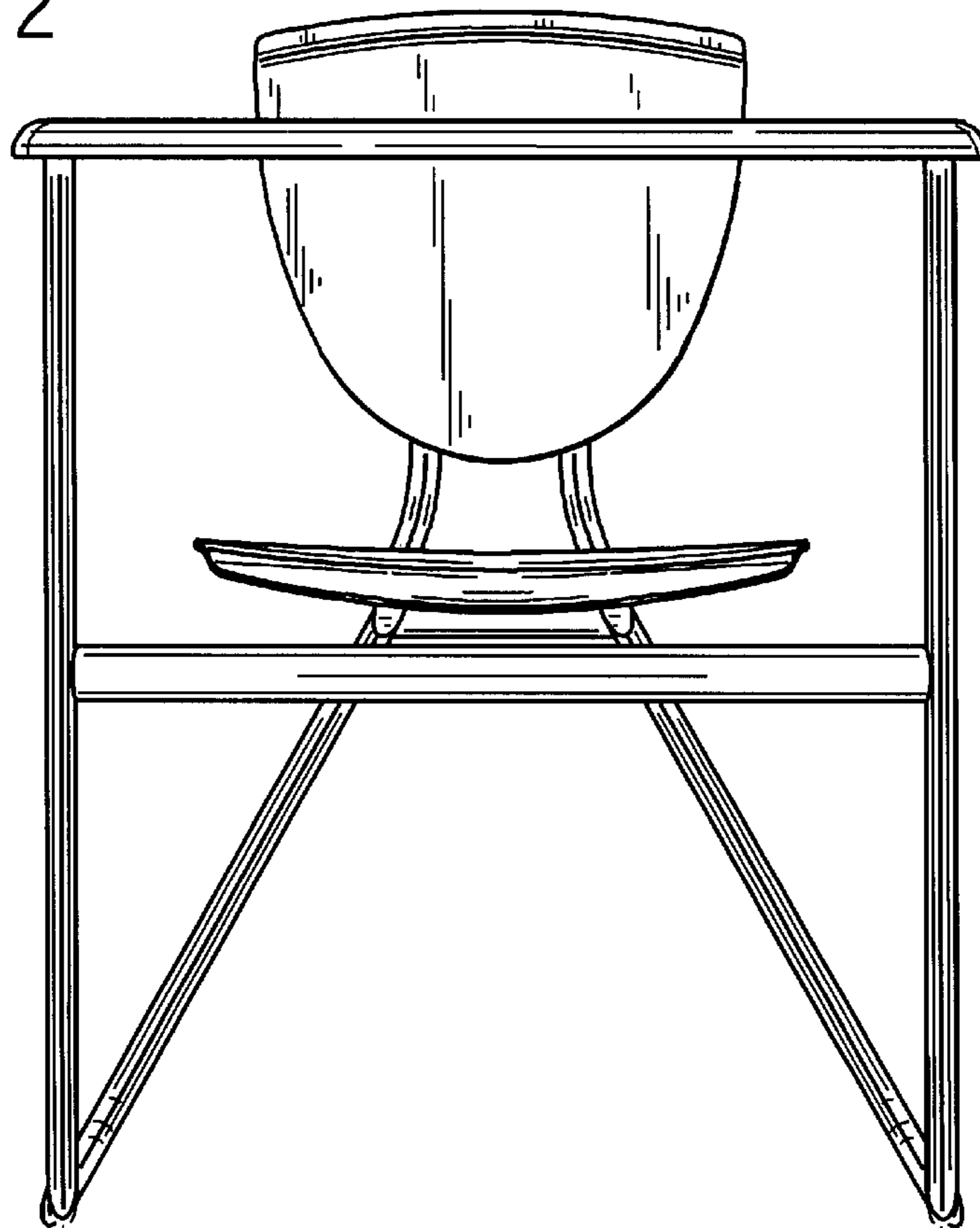


FIG. 2



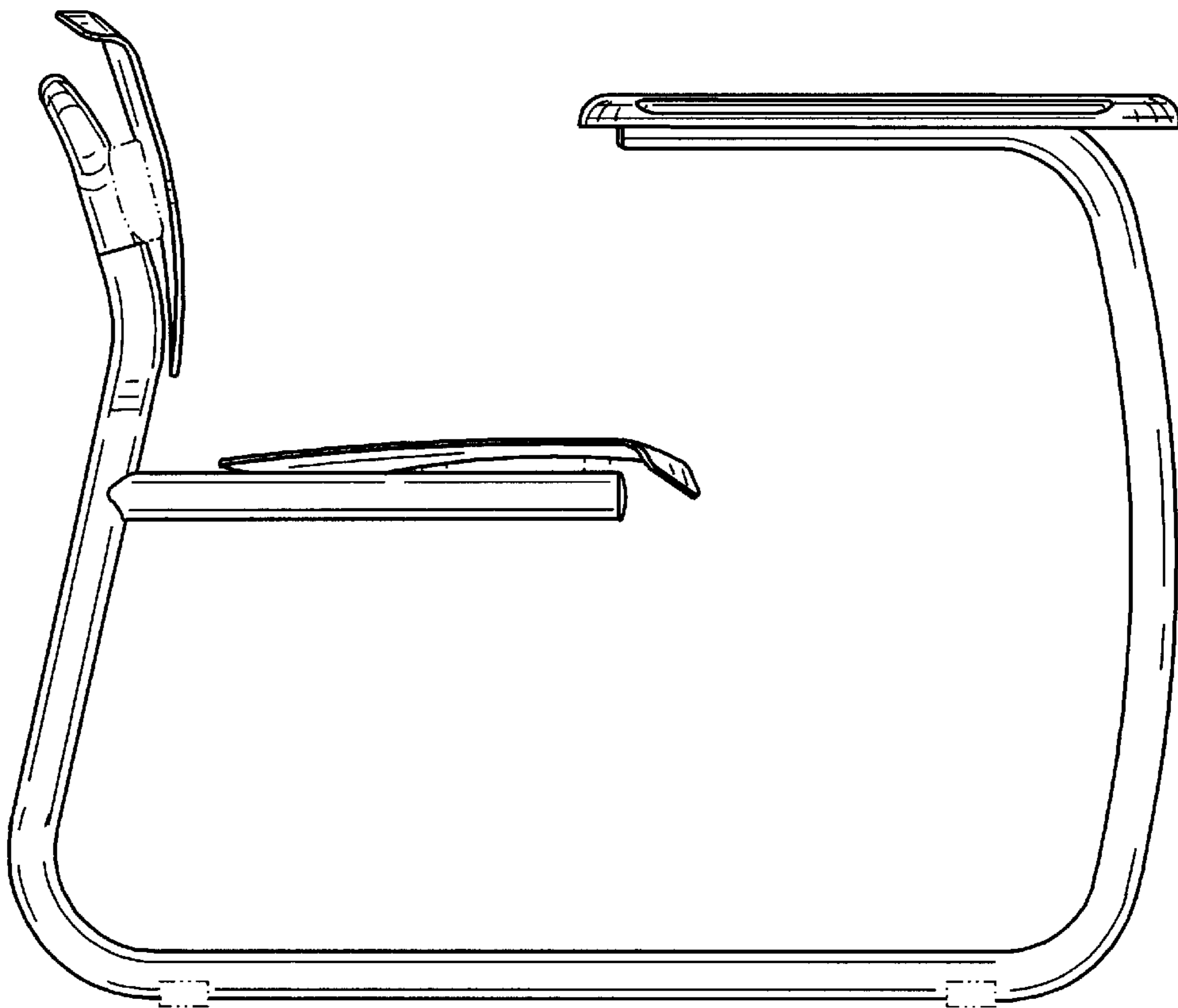


FIG. 3

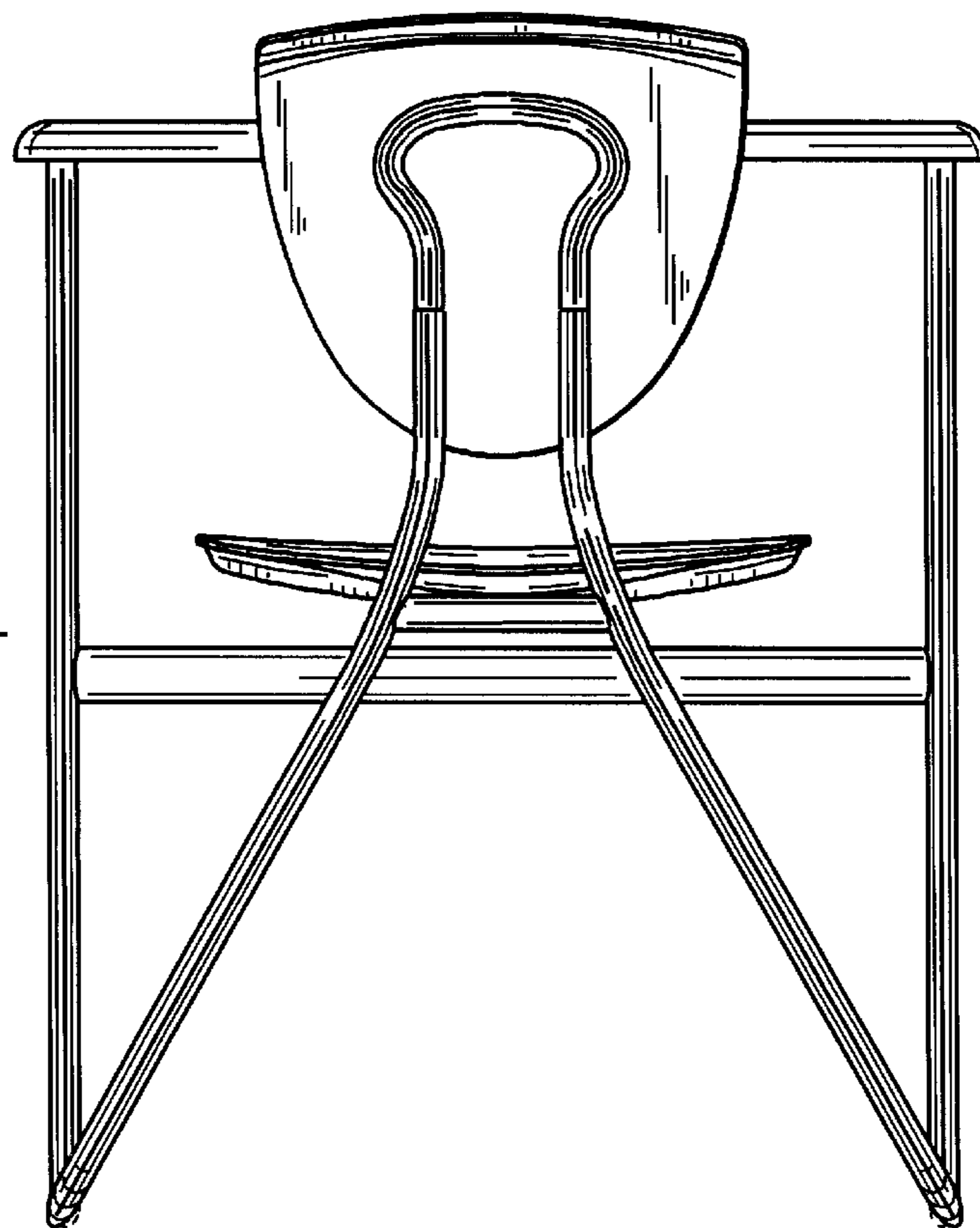


FIG. 4

FIG. 5

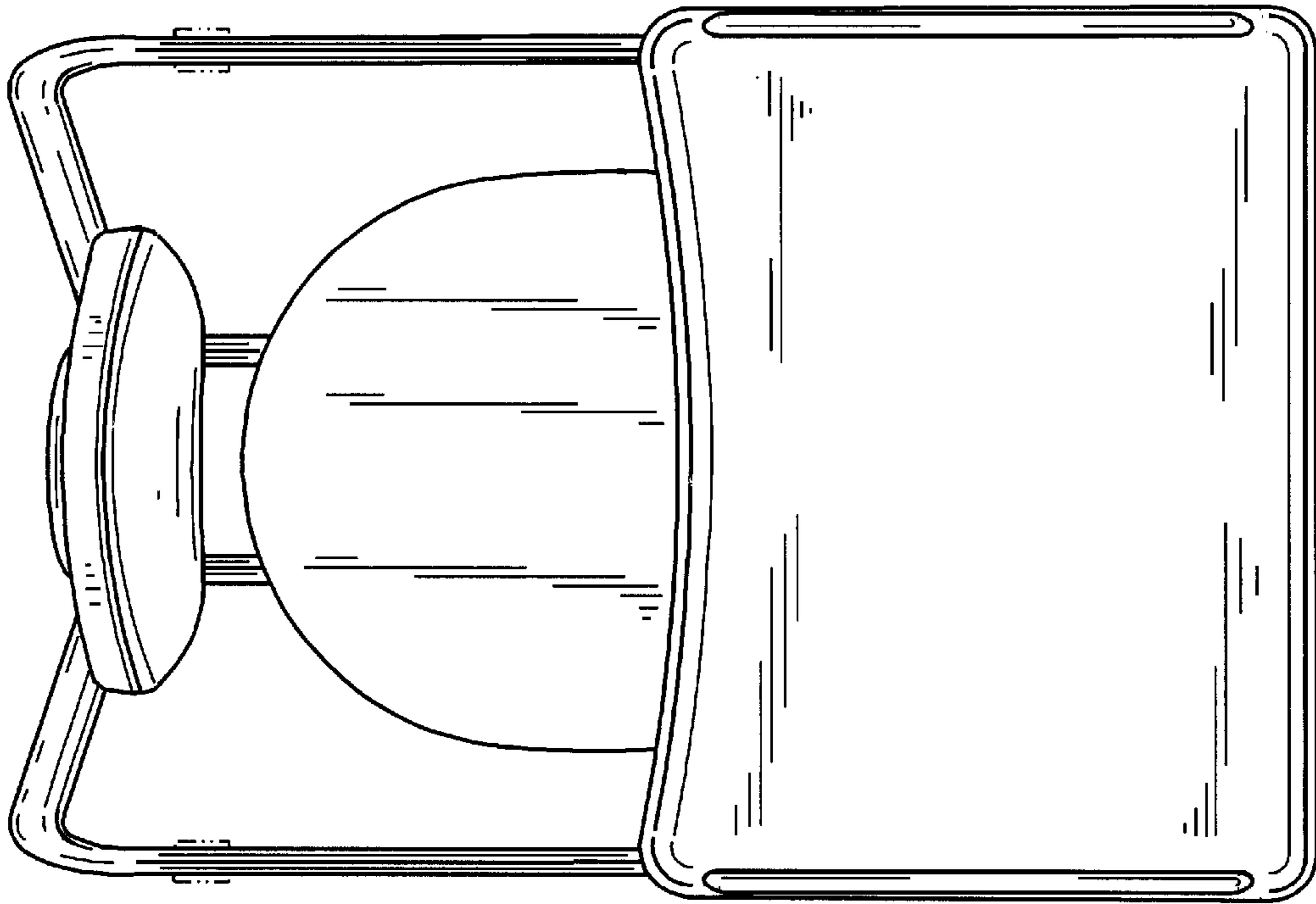


FIG. 6

