



US00D475199S

(12) **United States Design Patent**
Nykoluk

(10) **Patent No.:** **US D475,199 S**

(45) **Date of Patent:** **** Jun. 3, 2003**

(54) **COMBINED CURVED TOWING MEMBER WITH PULL HANDLE FOR A BAGGAGE**

(75) Inventor: **Cory O. Nykoluk**, St. Louis, MO (US)

(73) Assignee: **TRG Accessories, Inc.**, St. Louis, MO (US)

(**) Term: **14 Years**

(21) Appl. No.: **29/143,800**

(22) Filed: **Jun. 20, 2001**

Related U.S. Application Data

(63) Continuation-in-part of application No. 09/604,995, filed on Jun. 28, 2000, and a continuation-in-part of application No. 09/692,650, filed on Oct. 19, 2000, and a continuation-in-part of application No. 09/705,171, filed on Nov. 2, 2000.

(51) **LOC (7) Cl.** **03-99**

(52) **U.S. Cl.** **D3/318**

(58) **Field of Search** D3/318, 323, 276, D3/279, 282; 190/115, 118, 119, 18 A, 18 R, 39; 16/113.1, 421, 422, 429, 430, DIG. 38, DIG. 41; 224/153, 578

(56) **References Cited**

U.S. PATENT DOCUMENTS

2,722,137 A	*	11/1955	Russell	16/430
3,606,372 A		9/1971	Browning		
3,712,659 A	*	1/1973	Kneissi	16/421
4,368,835 A		1/1983	Murphy		
4,538,709 A		9/1985	Williams et al.		
4,890,355 A	*	1/1990	Schulten	16/421
D357,354 S	*	4/1995	Marchwiak et al.	D3/276
5,464,080 A	*	11/1995	Liang	190/18 A
5,564,538 A	*	10/1996	Sadow	190/18 A
D387,198 S		12/1997	Lehmann et al.		
5,749,503 A		5/1998	Wulf et al.		
5,769,194 A		6/1998	Chang		
5,890,570 A	*	4/1999	Sadow	190/115
5,901,822 A		5/1999	Tu		

5,908,093 A	*	6/1999	Miyoshi	190/115
5,943,936 A		8/1999	Deliman et al.		
5,984,154 A		11/1999	Scicluna		
6,122,800 A	*	9/2000	Cheng	16/429
6,179,176 B1		1/2001	Saggese et al.		
6,193,033 B1		2/2001	Sadow et al.		
6,279,706 B1		8/2001	Mao		
6,298,964 B1		10/2001	Sadow		
D451,779 S	*	12/2001	du Sartel	D3/318
6,434,790 B1	*	8/2002	Chen	16/113.1

* cited by examiner

Primary Examiner—Prabhakar Deshmukh

(74) *Attorney, Agent, or Firm*—Lewis, Rice & Fingersh, L.C.

(57) **CLAIM**

The ornamental design for a combined curved towing member with pull handle for a baggage, as shown and described.

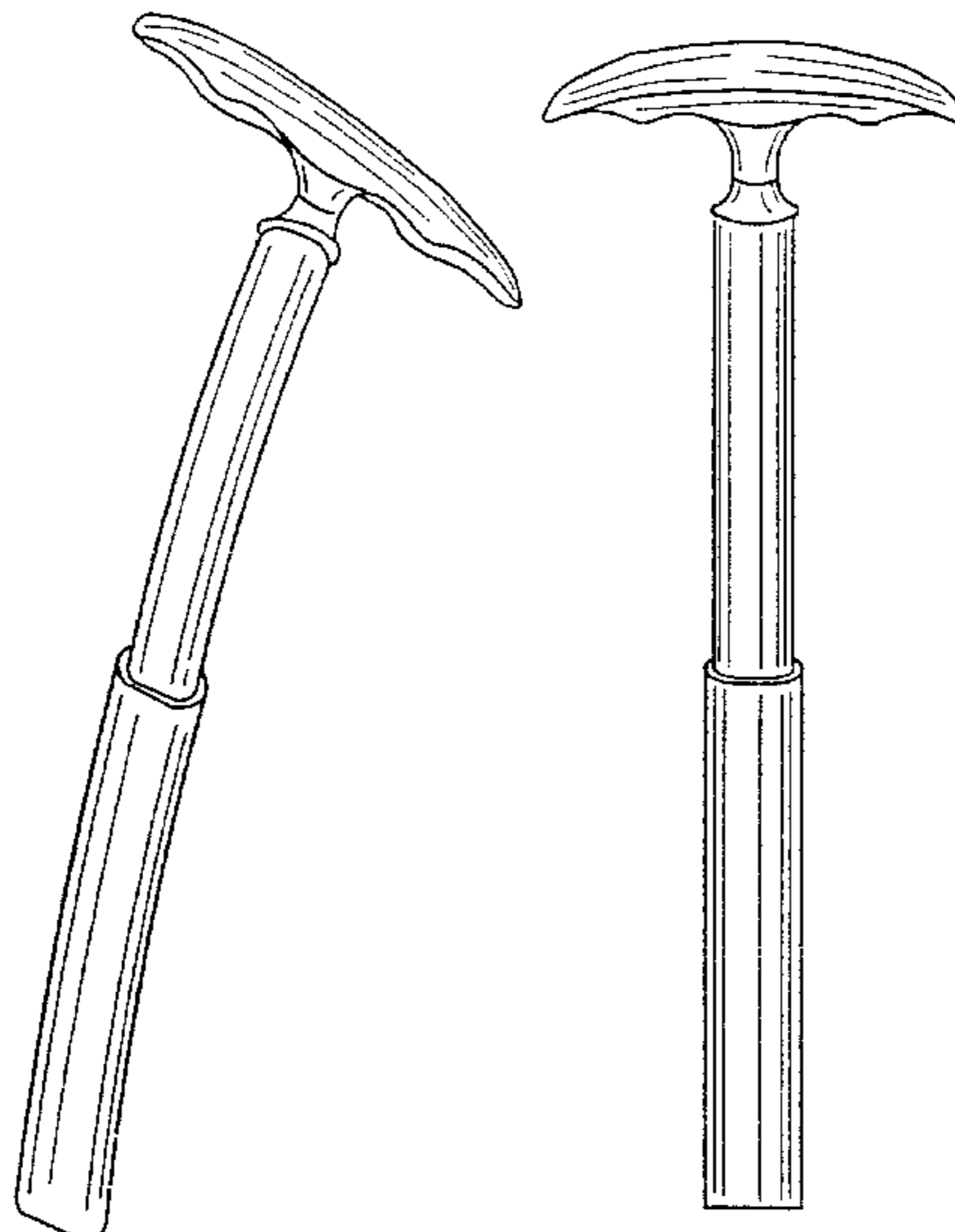
DESCRIPTION

FIG. 1 is a perspective view of the combined curved towing member with pull handle of the invention;
 FIG. 2 is a reverse perspective view of the combined curved towing member with pull handle of FIG. 1;
 FIG. 3 is a front view of the combined curved towing member with pull handle of FIG. 1;
 FIG. 4 is a rear view of the combined curved towing member with pull handle of FIG. 1;
 FIG. 5 is a top view of the combined curved towing member with pull handle of FIG. 1;
 FIG. 6 is a bottom view of the combined curved towing member with pull handle of FIG. 1; and,
 FIG. 7 is a right side view of the combined curved towing member with pull handle, the left side view being a mirror image thereof.

The broken line showing of a baggage in FIG. 1 is for illustrative purposes only and forms no part of the claimed design.

FIGS. 2-7 are drawn in an enlarged scale for clarity.

1 Claim, 2 Drawing Sheets



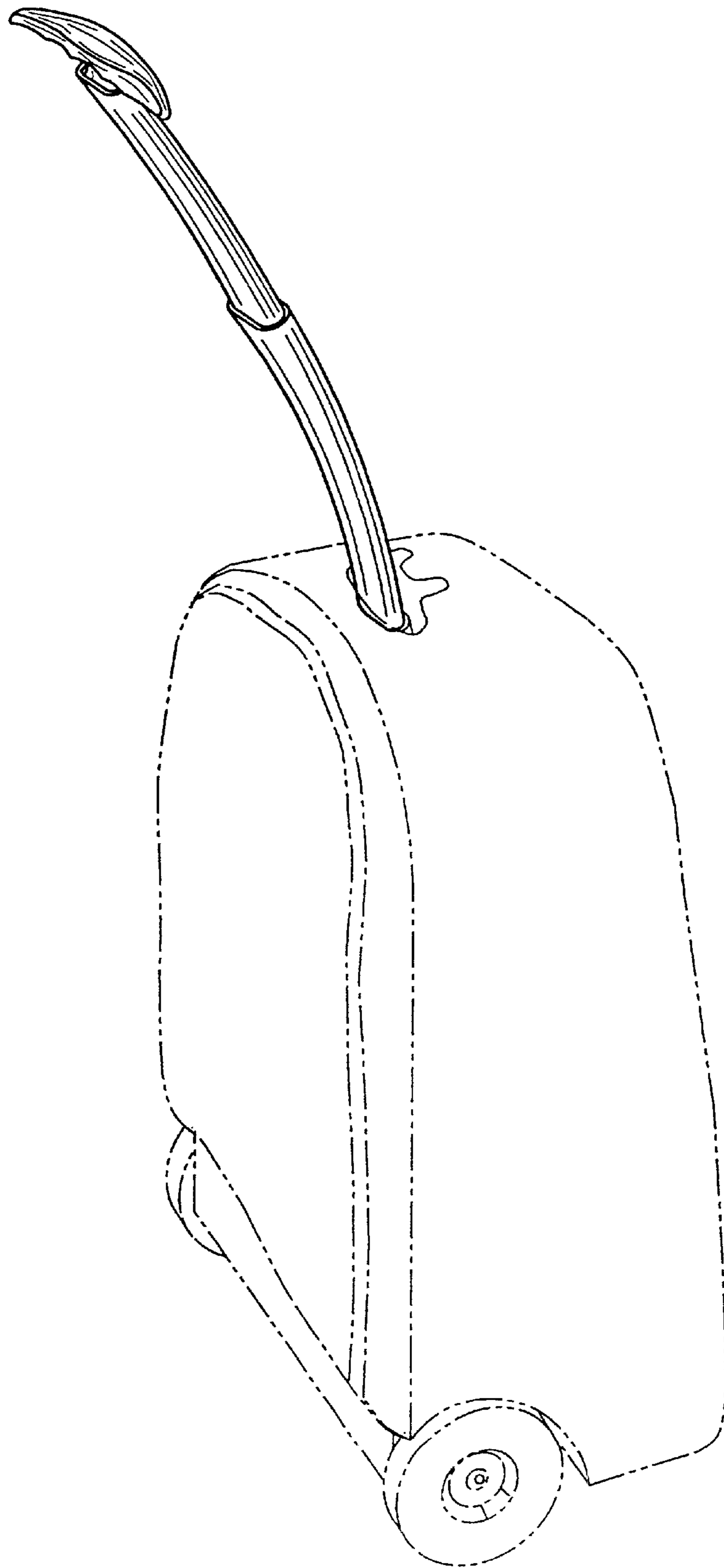


FIG. 1

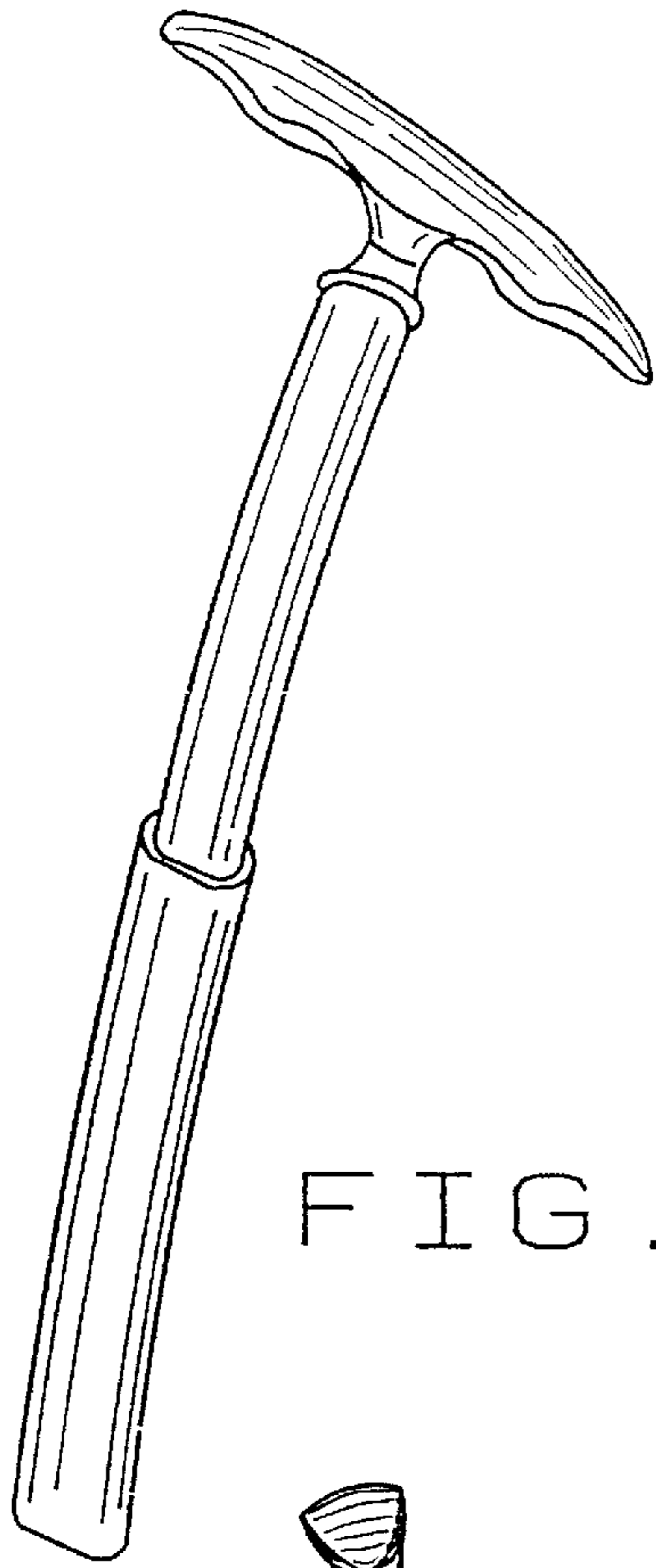


FIG. 2

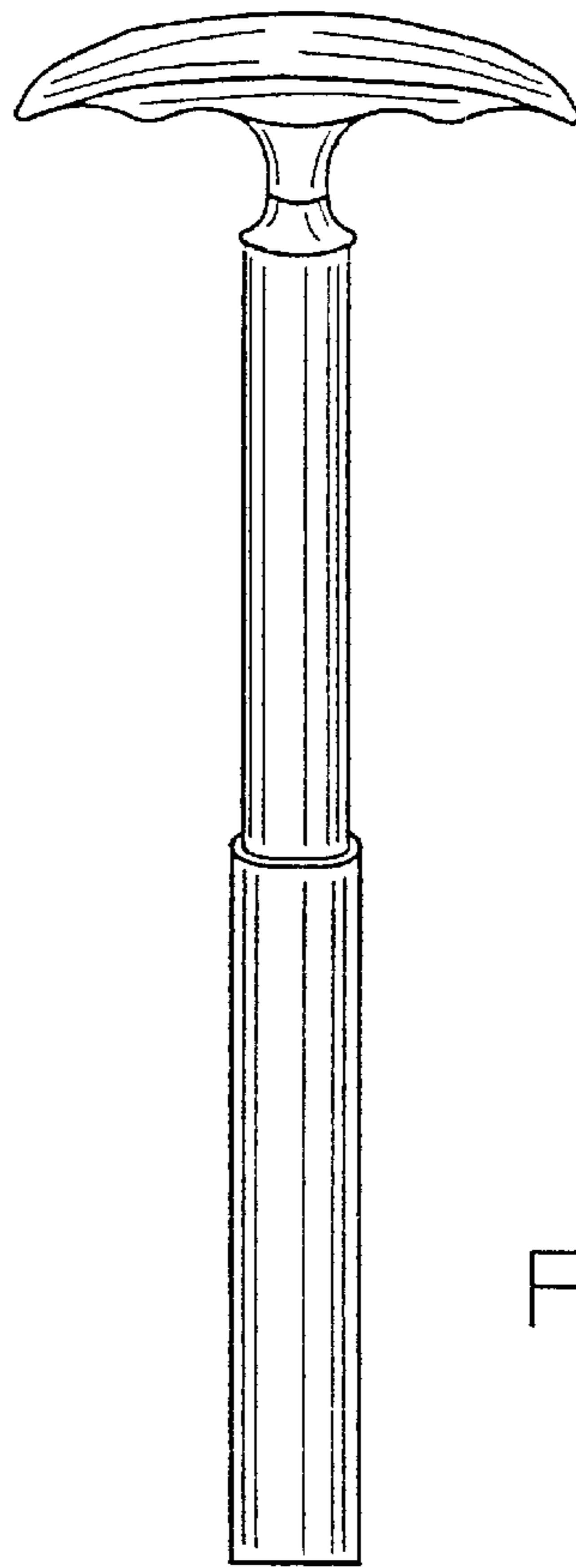


FIG. 3

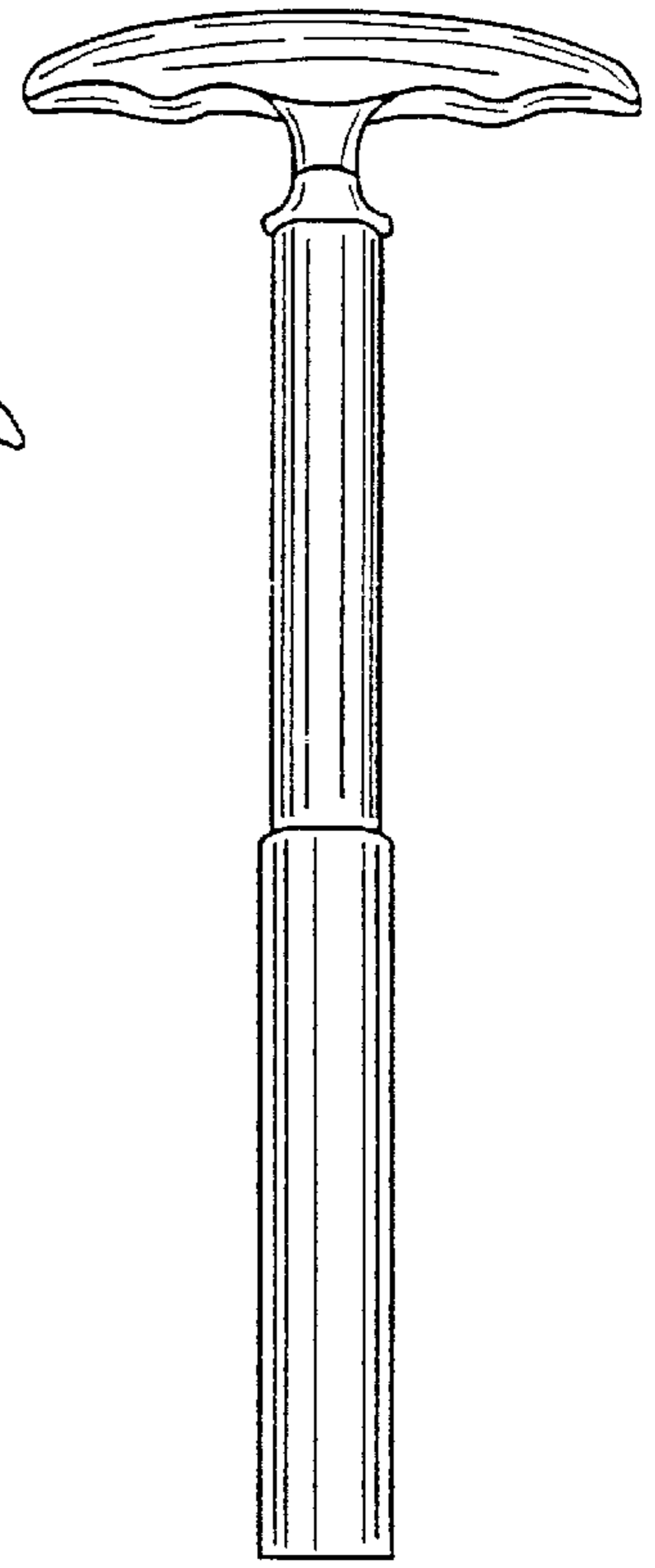


FIG. 4

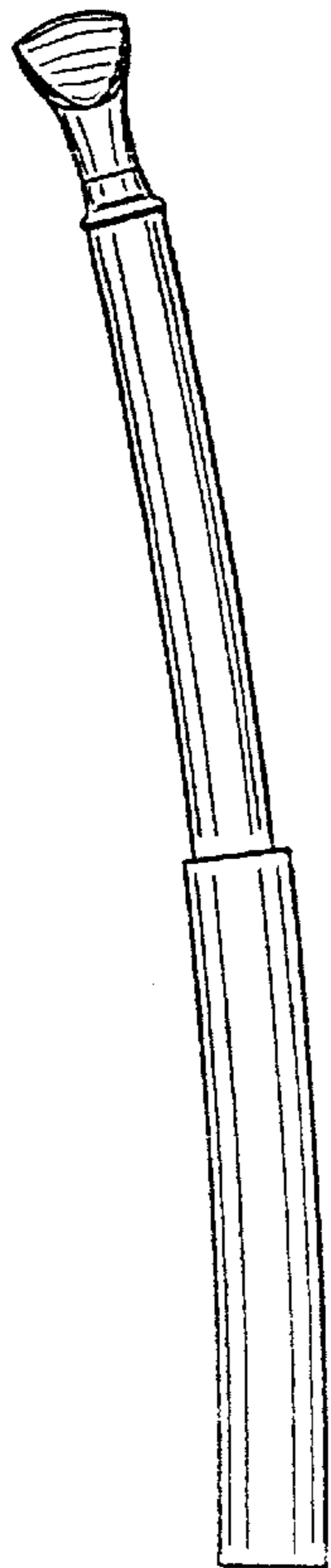


FIG. 7

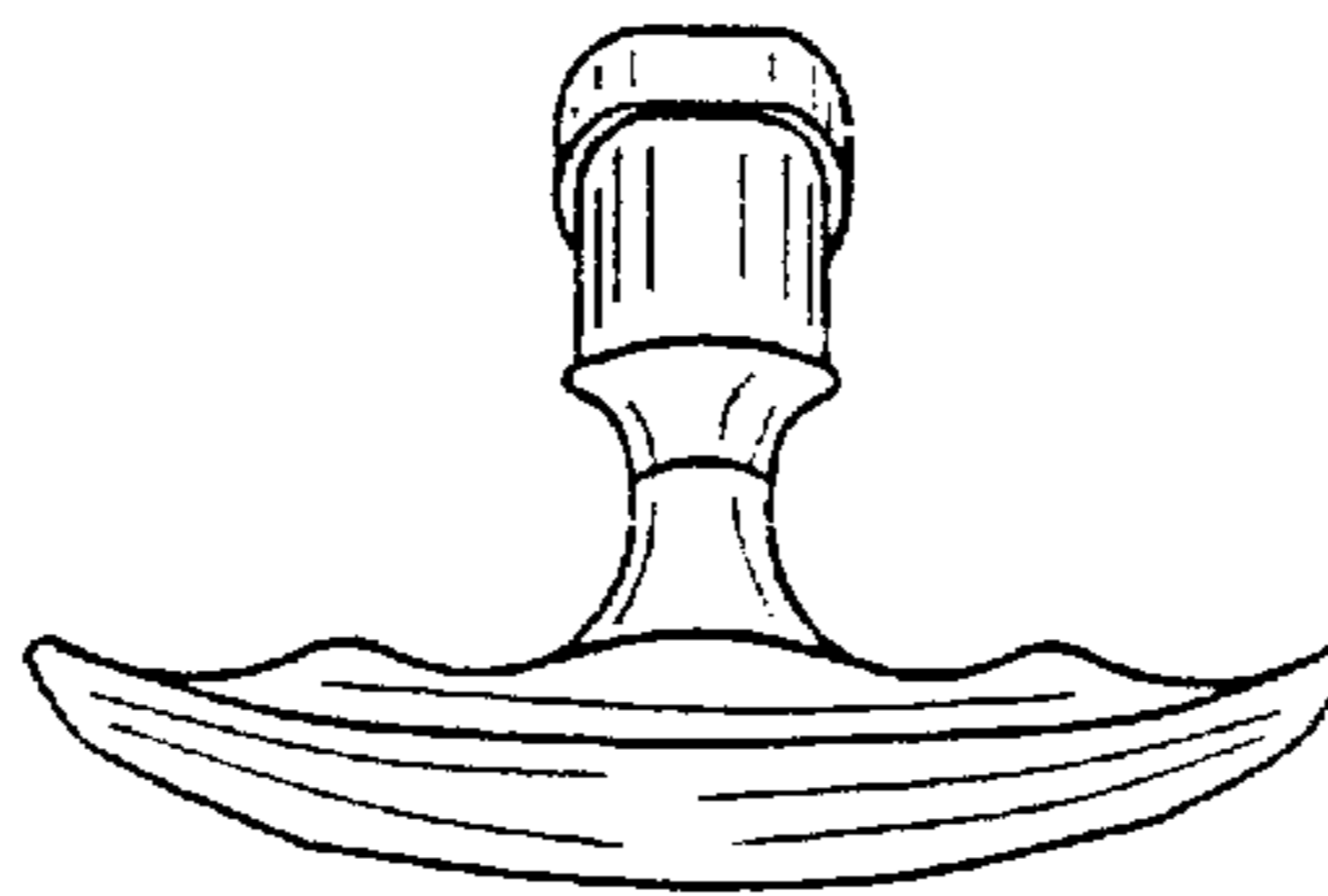


FIG. 5

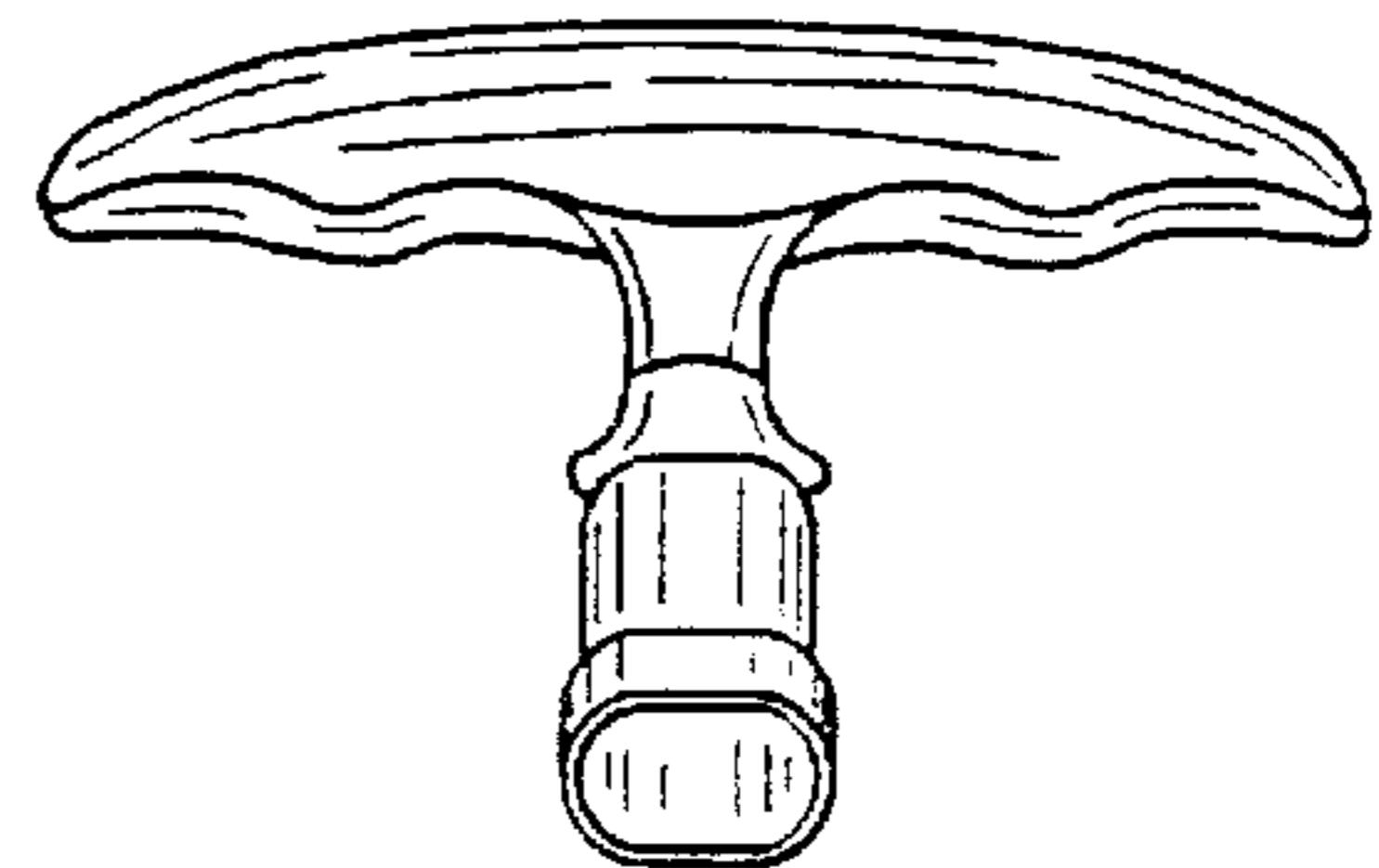


FIG. 6