



US00D475172S

(12) **United States Design Patent**  
**Jones**

(10) **Patent No.:** **US D475,172 S**

(45) **Date of Patent:** **\*\* May 27, 2003**

(54) **MAIL BOX FLAG**

(76) Inventor: **Franklin Matthew Jones**, 1919  
Atascadero Dr., Columbia, SC (US)  
29606

(\*\*) Term: **14 Years**

(21) Appl. No.: **29/163,970**

(22) Filed: **Jul. 16, 2002**

(51) **LOC (7) Cl.** ..... **99-00**

(52) **U.S. Cl.** ..... **D99/29**

(58) **Field of Search** ..... D99/29, 30, 31,  
D99/32, 33; 232/17, 33, 35, 36, 34, 1 R;  
D11/165, 166, 167, 172, 139; D20/29-30

(56) **References Cited**

**U.S. PATENT DOCUMENTS**

D258,898 S	*	4/1981	Grandish	.....	D20/29
4,382,541 A		5/1983	Miller	.....	232/35
D313,688 S		1/1991	La Fountain et al.	.....	D99/29
D337,414 S	*	7/1993	Regan	.....	D99/29
D348,969 S	*	7/1994	Barbour	.....	D99/30
D361,195 S		8/1995	Suta	.....	D99/43
5,445,317 A	*	8/1995	Sokolowski	.....	232/34
D376,250 S	*	12/1996	Conley, Jr.	.....	D99/30
D424,276 S	*	5/2000	Bolden	.....	D99/29
D426,045 S	*	5/2000	Bien	.....	D99/30

D438,689 S	*	3/2001	Williams	.....	D99/30
D439,723 S	*	3/2001	Avery	.....	D99/30
D446,379 S	*	8/2001	Taylor	.....	D99/29

\* cited by examiner

*Primary Examiner*—Paula A. Mortimer

(74) *Attorney, Agent, or Firm*—McNair Law Firm, P.A.

(57) **CLAIM**

The ornamental design for a mail box flag, as shown and described.

**DESCRIPTION**

FIG. 1 is a perspective view of my new design for a “mail box flag”, it being understood that a flag having my new design is supported and held by a mail box for rotating to an up position when in use, as illustrated;

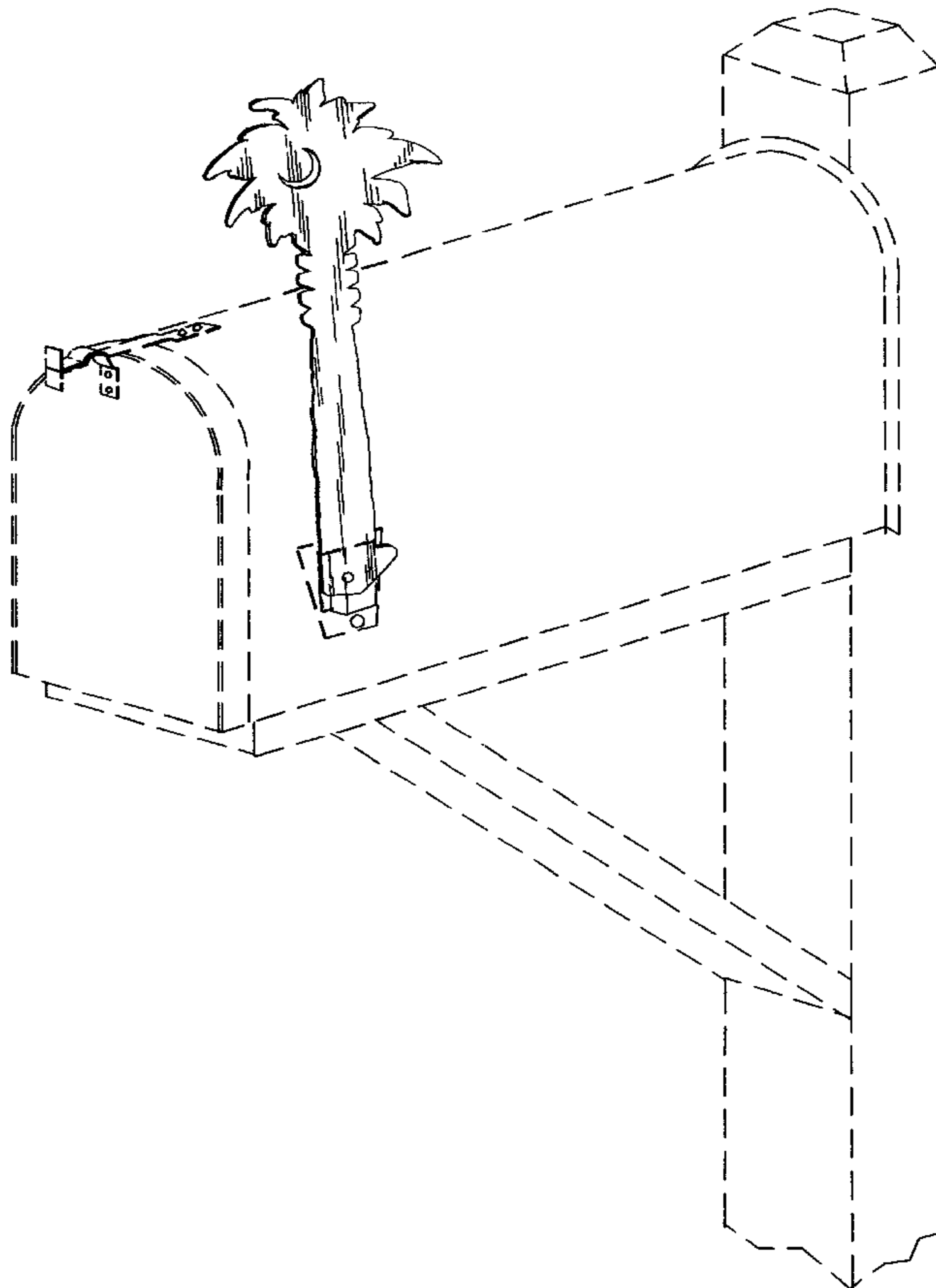
FIG. 2 is a right side elevation view of the mail box flag of FIG. 1;

FIG. 3 is a side elevation view of the mail box flag of FIG. 1, the opposite side elevation view being essentially the same as the side shown; and,

FIG. 4 is a left side elevation view of the mail box flag of FIG. 1.

The broken line disclosure of a mailbox and post is for illustrating the environmental placement of the mail box flag of my new design and forms no part of the claimed design.

**1 Claim, 3 Drawing Sheets**



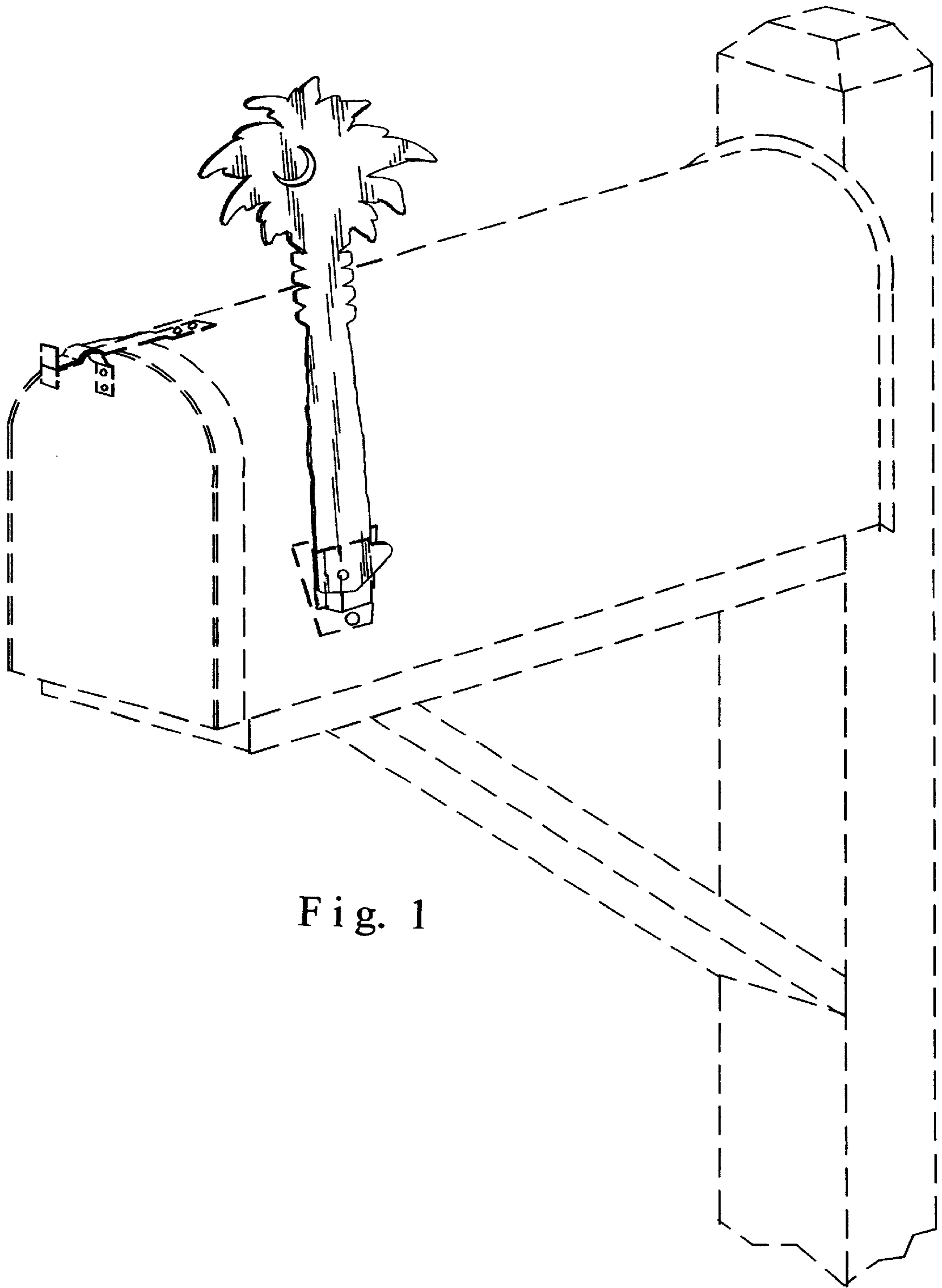


Fig. 1

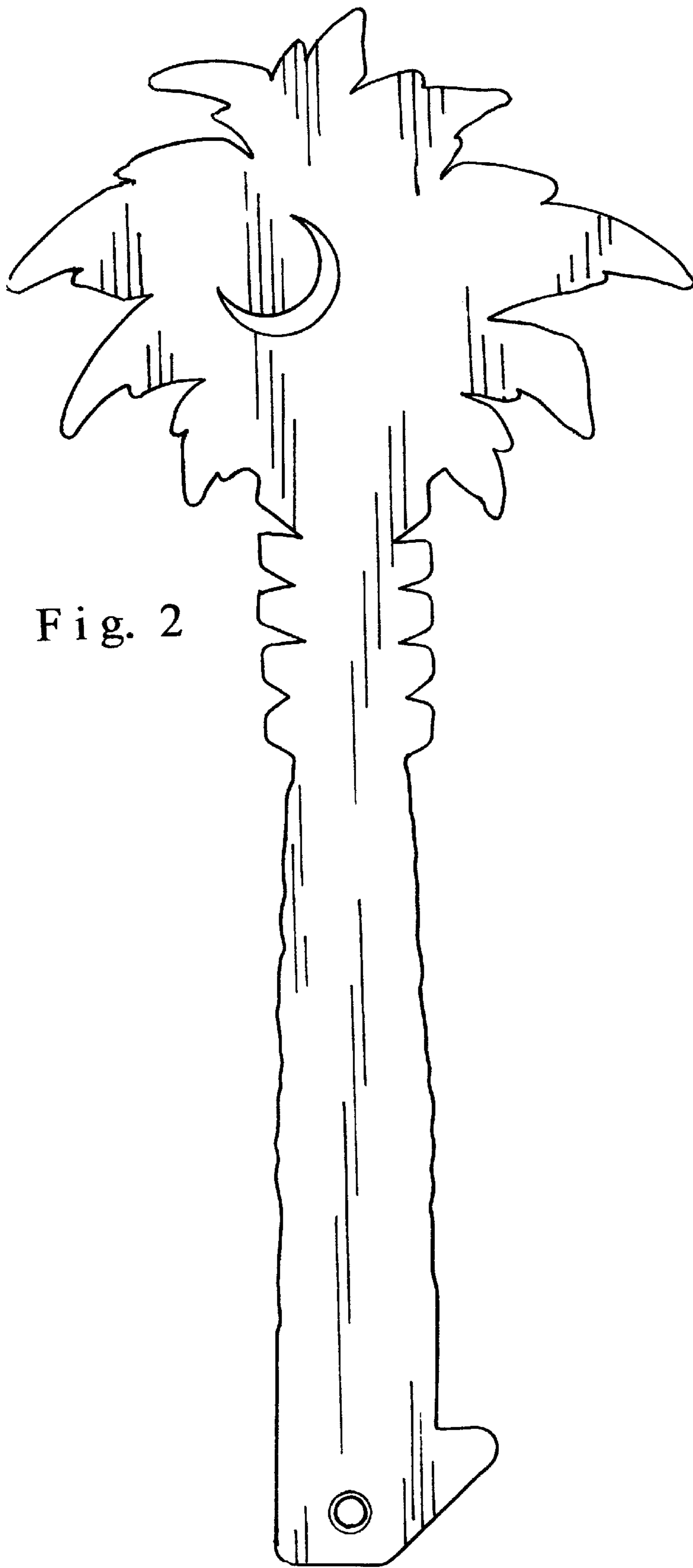
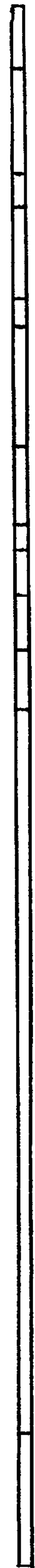


Fig. 2

Fig. 3



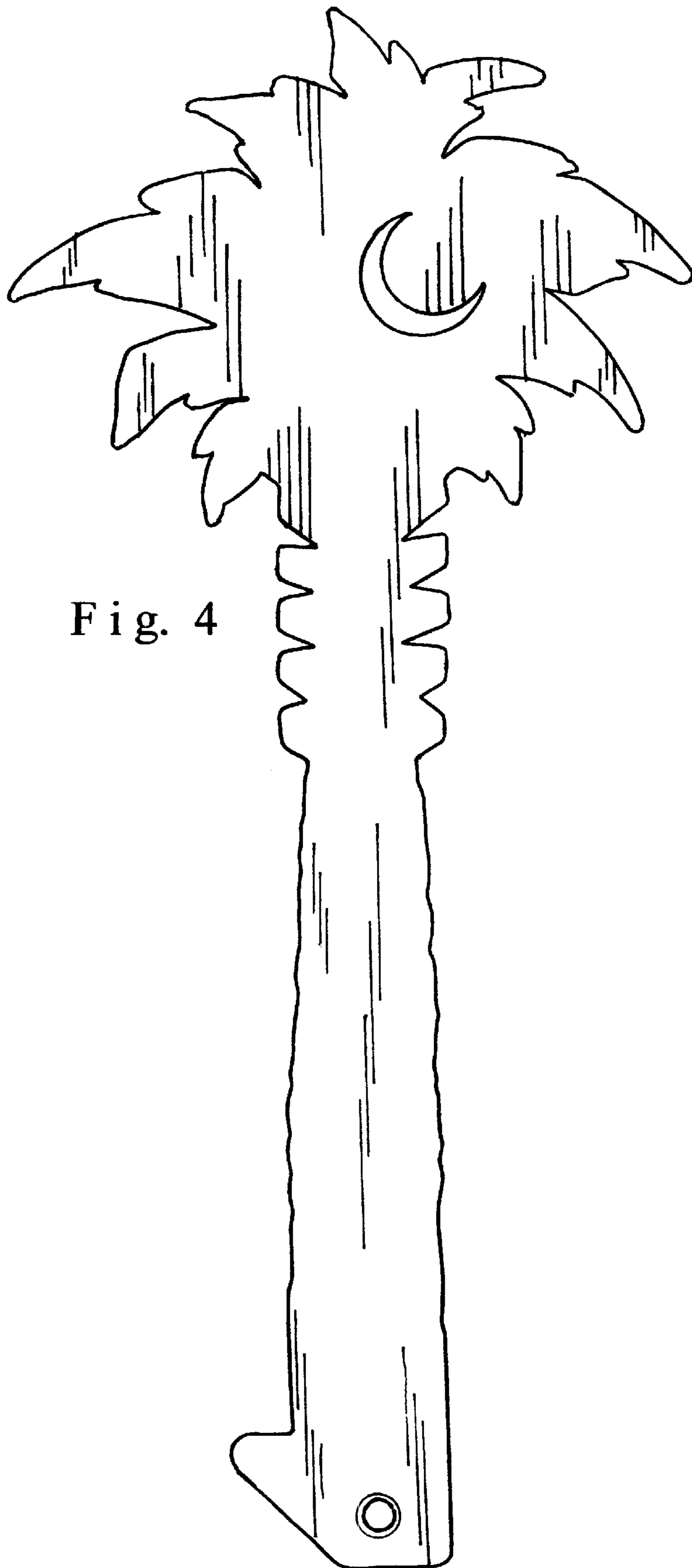


Fig. 4