



US00D475168S

(12) **United States Design Patent**
Post

(10) **Patent No.:** **US D475,168 S**

(45) **Date of Patent:** **** May 27, 2003**

(54) **PRAYER WISH CREATION AND STORAGE BOX**

(74) *Attorney, Agent, or Firm*—Mark C. Jacobs

(76) **Inventor:** **Sandra Post**, 1729 Alabama Ave., West Sacramento, CA (US) 95691

(57) **CLAIM**

The ornamental design for a prayer wish creation and storage box, as shown and described.

(**) **Term:** **14 Years**

DESCRIPTION

(21) **Appl. No.:** **29/160,181**

FIG. 1 is a perspective view of the prayer wish creation and storage box of this design with the lid closed;

(22) **Filed:** **May 7, 2002**

FIG. 2 is a front view thereof;

(51) **LOC (7) Cl.** **03-01**

FIG. 3 is a left side view of the device of this design;

(52) **U.S. Cl.** **D99/25**

FIG. 4 is rear view thereof;

(58) **Field of Search** D99/25; D3/206, D3/242, 281, 282, 283; 206/372, 373; D19/35, 78, 86; D28/76, 78

FIG. 5 is a top plan view of the box with the lid closed;

FIG. 6 is a bottom plan view thereof;

FIG. 7 is a right side view of the device of this design;

(56) **References Cited**

U.S. PATENT DOCUMENTS

D390,357 S * 2/1998 Rosen D3/282

D401,282 S * 11/1998 Wang D19/78

5,915,554 A * 6/1999 Hung 206/372

FIG. 8 is a view similar to FIG. 1, but with the box lid in open position and the retractable handle extended;

FIG. 9 is a top plan view with the lid open and the handle extended; and,

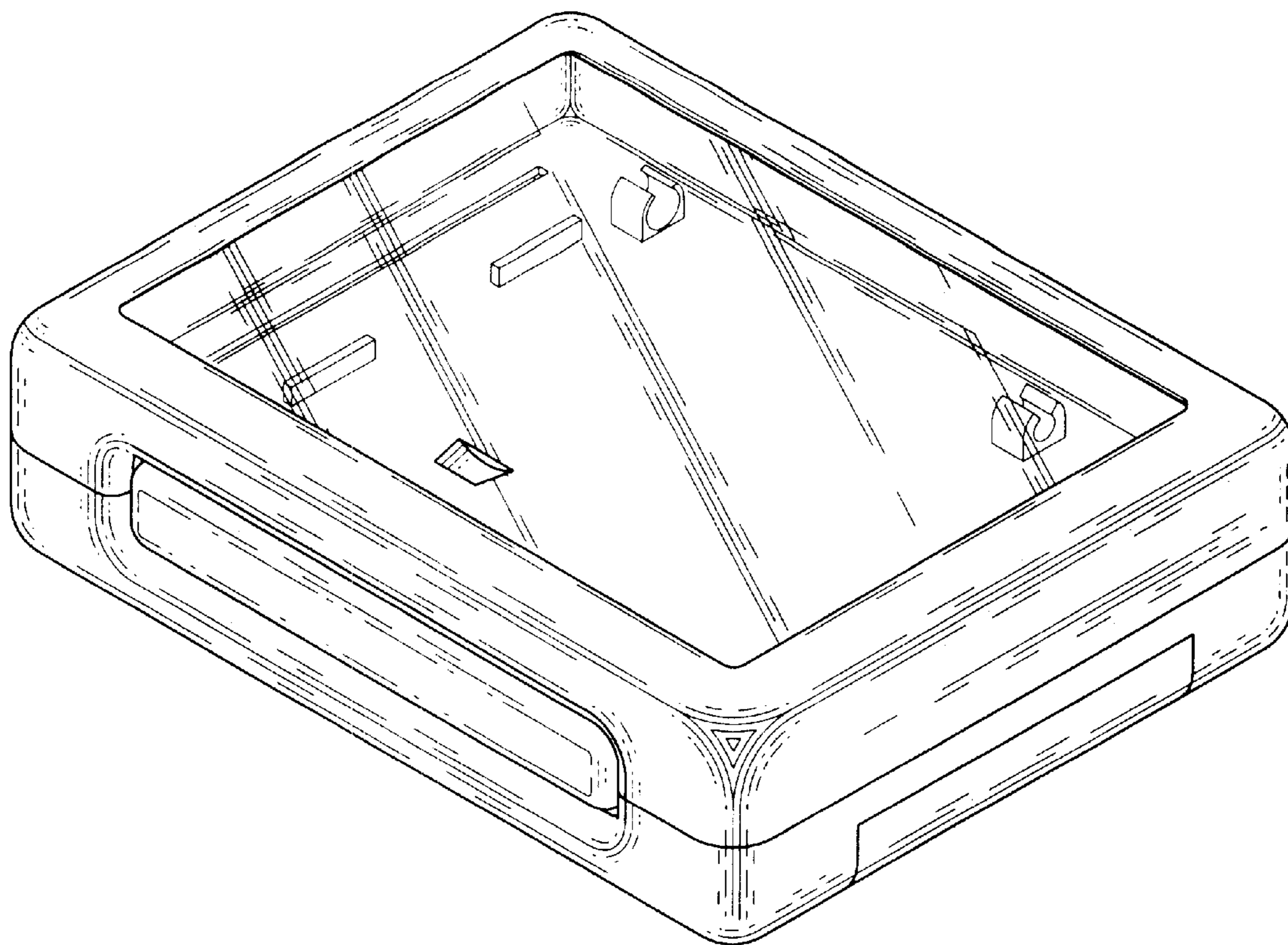
FIG. 10 is a closeup view of a portion of the design as seen in FIG. 8.

* cited by examiner

The broken lines in FIGS. 8 and 9 are for illustrative purposes only and forms no part of the claimed design.

Primary Examiner—Paula A. Mortimer

1 Claim, 3 Drawing Sheets



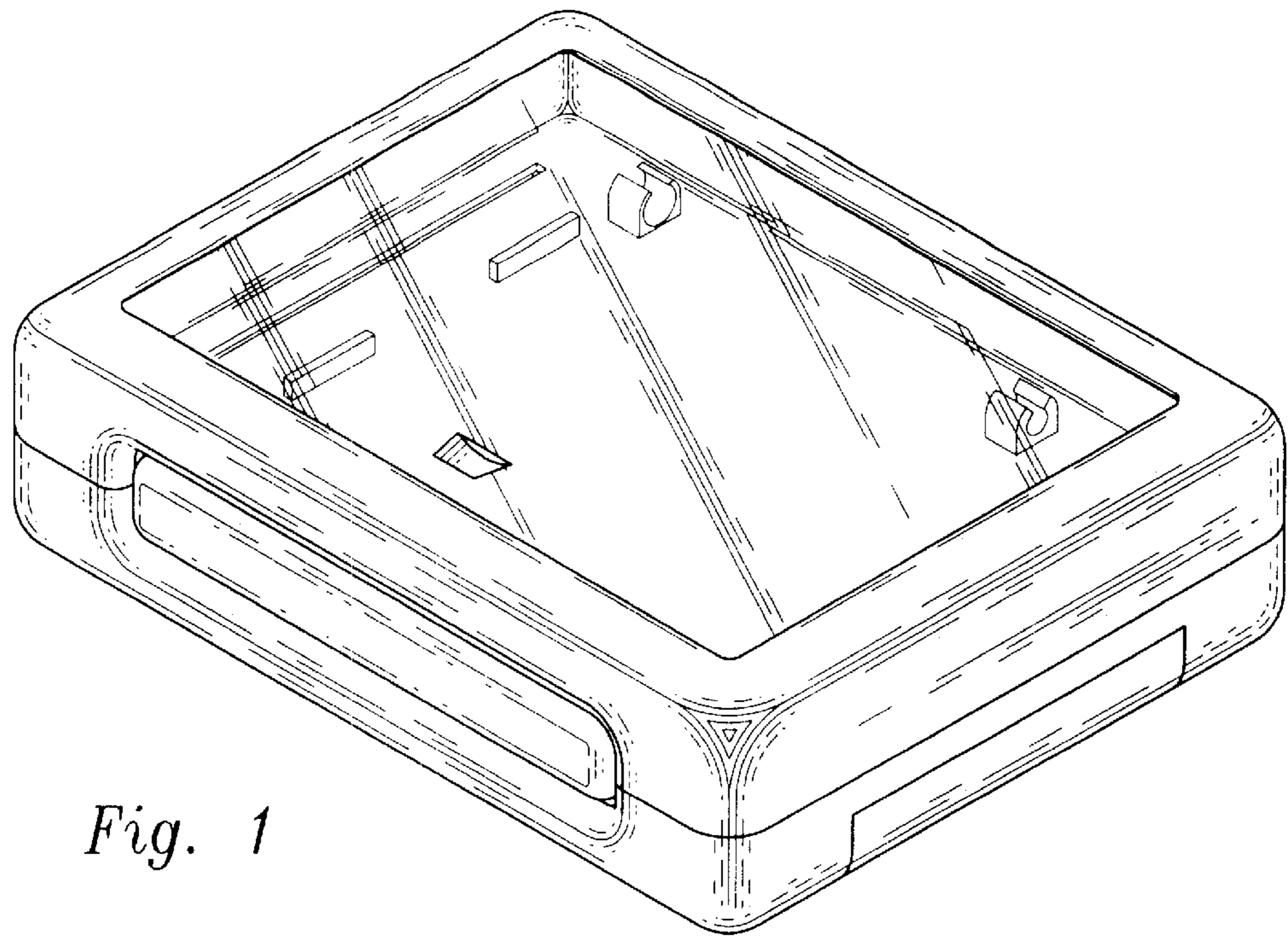


Fig. 1

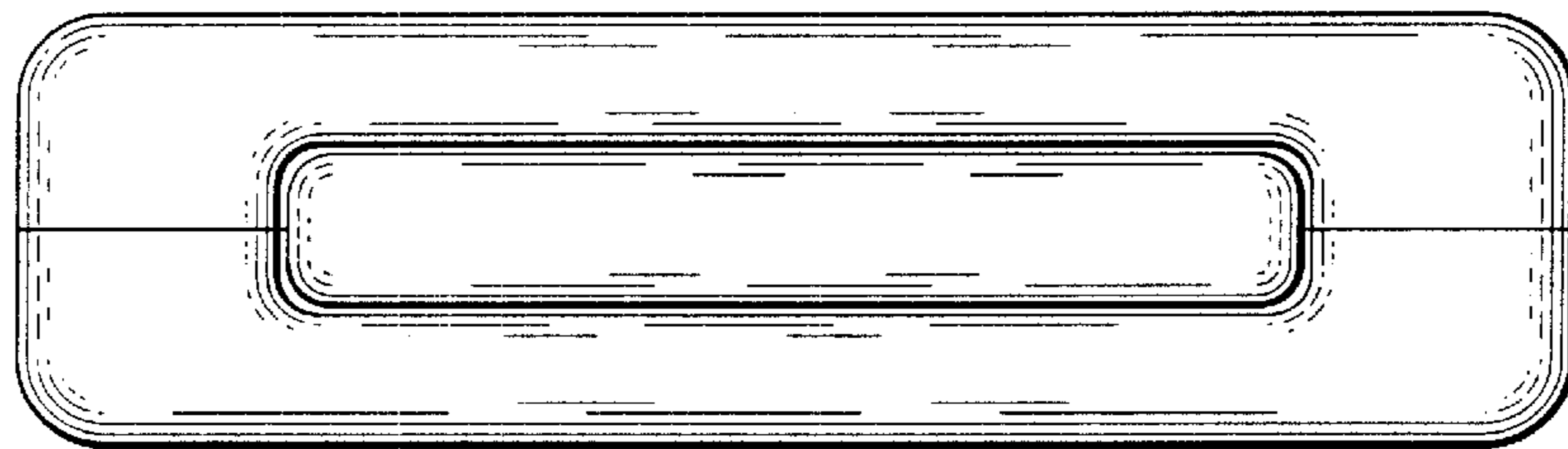


Fig. 2

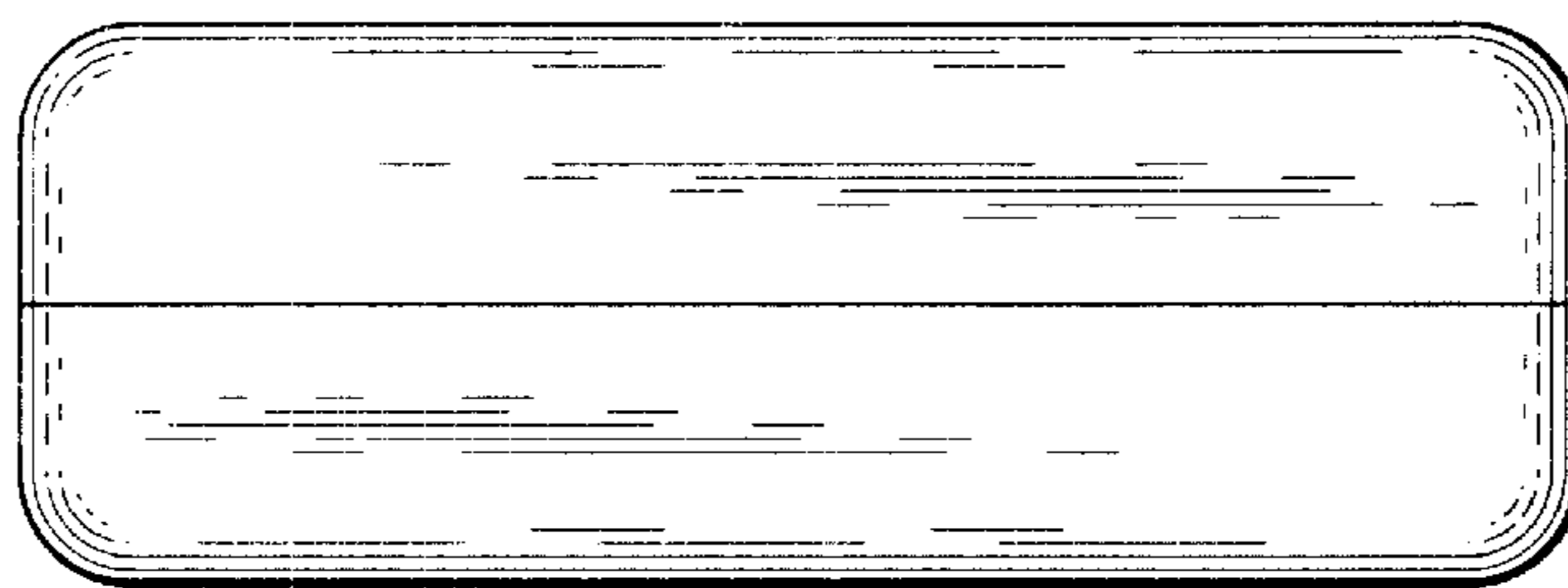


Fig. 3

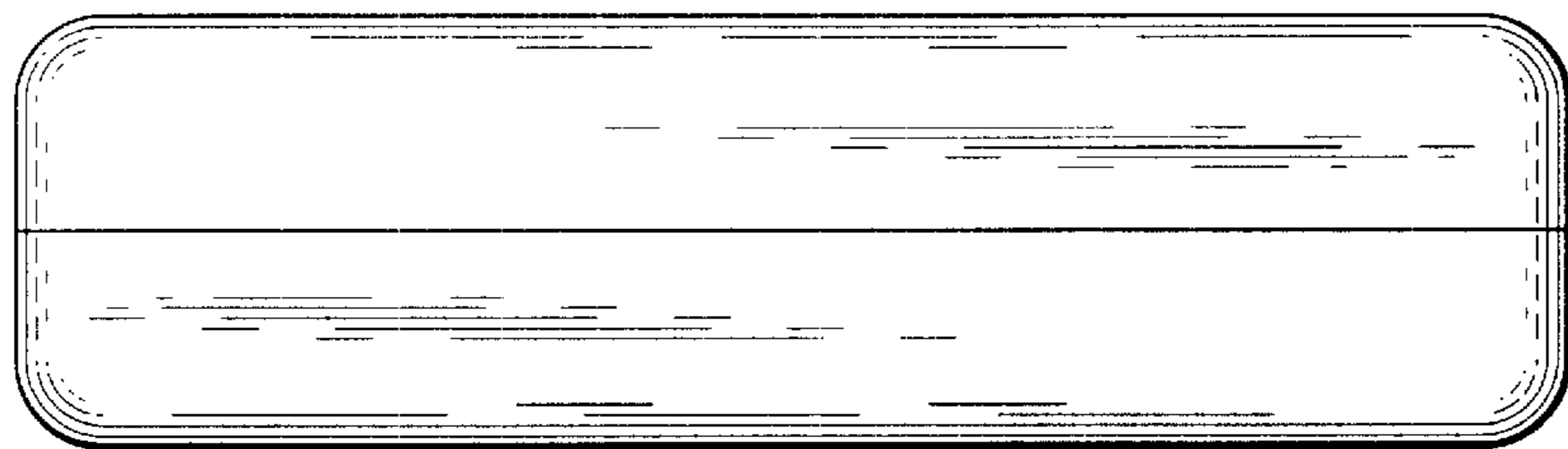


Fig. 4

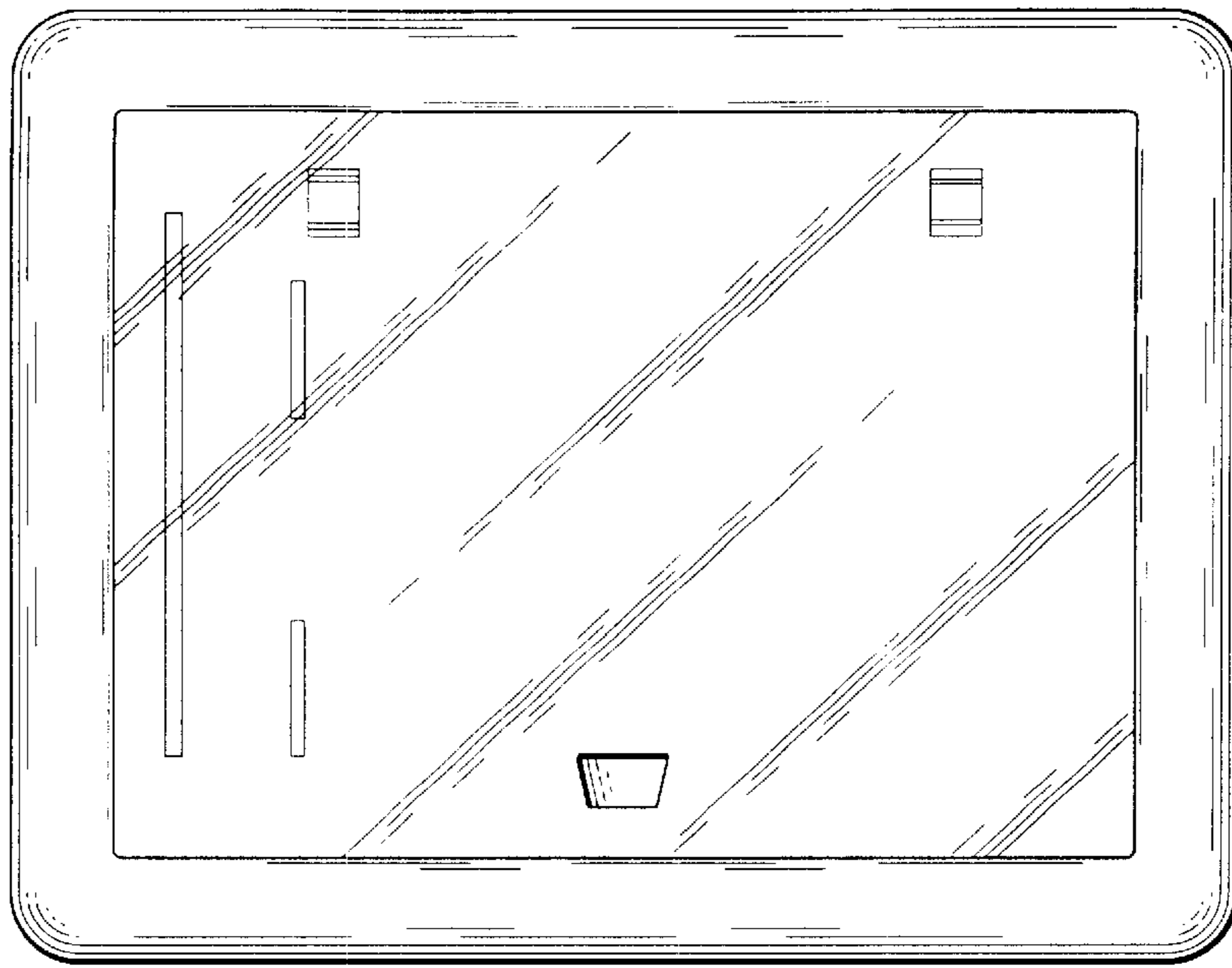


Fig. 5

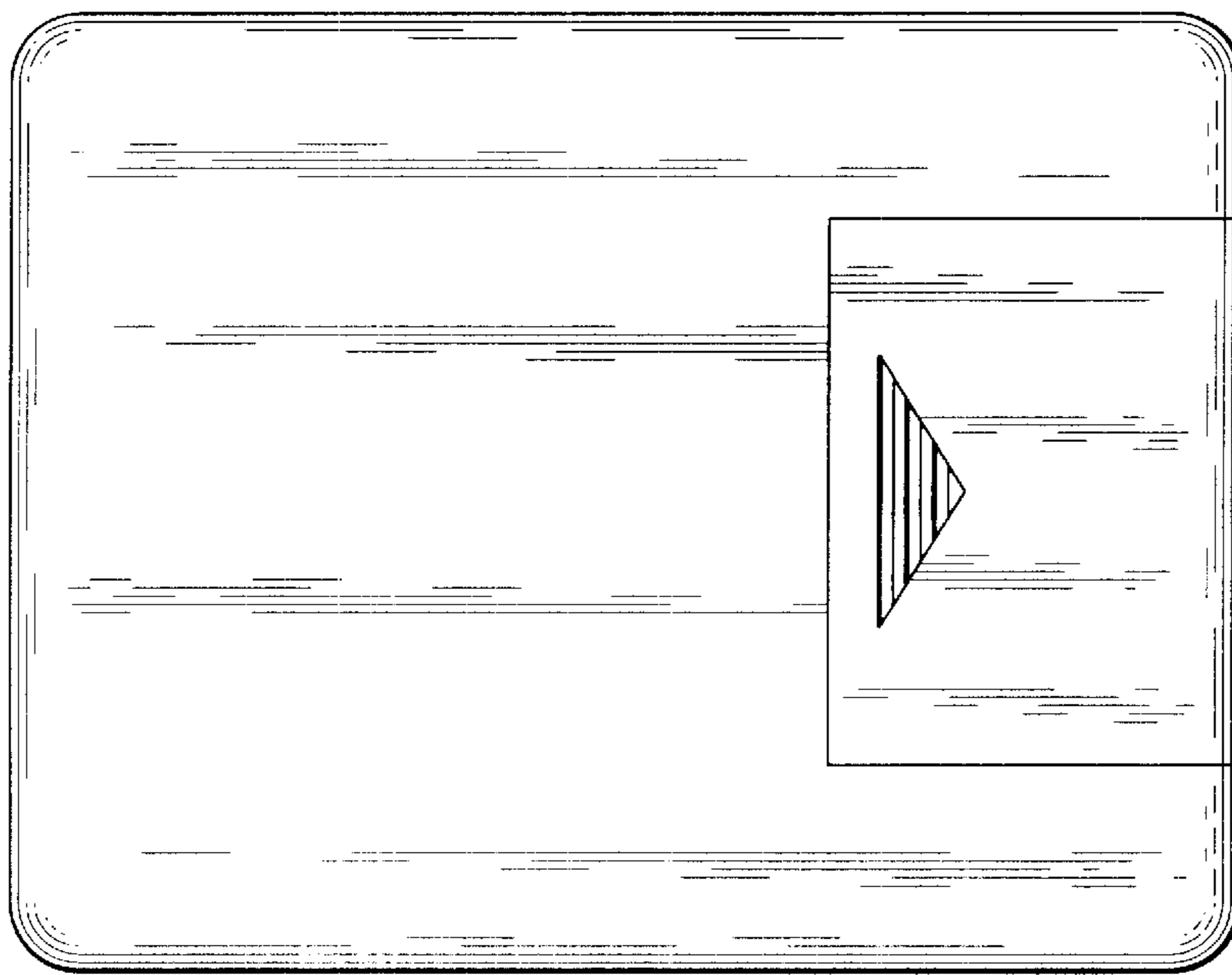


Fig. 6

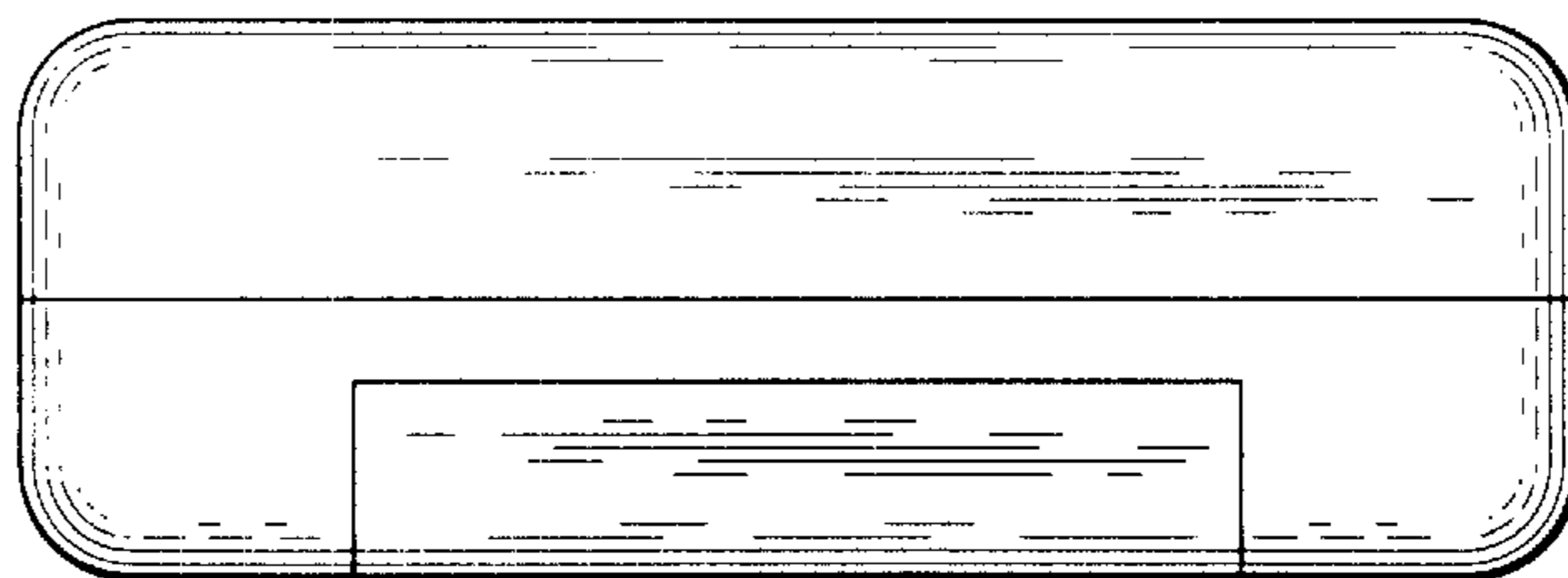


Fig. 7

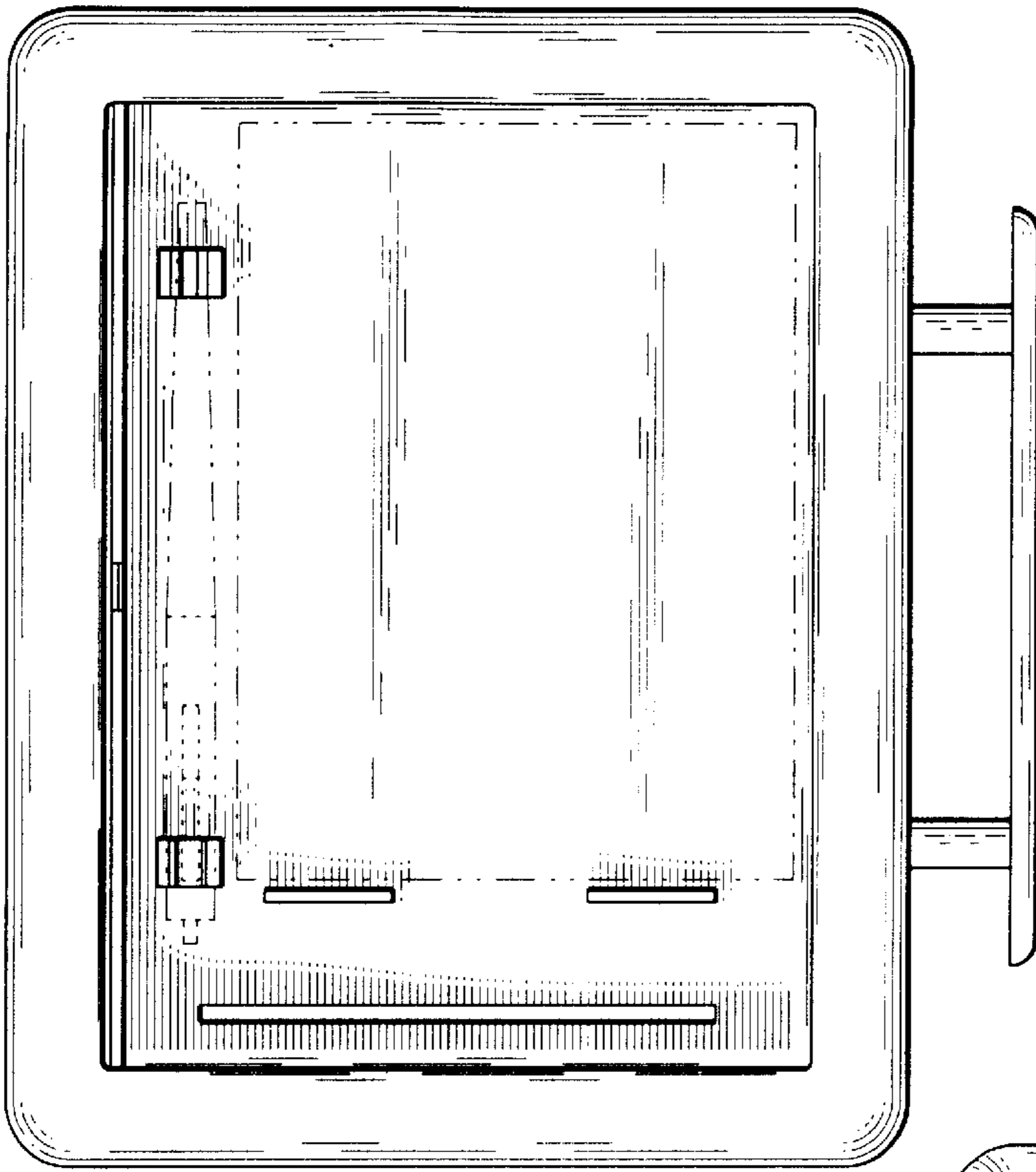


Fig. 9

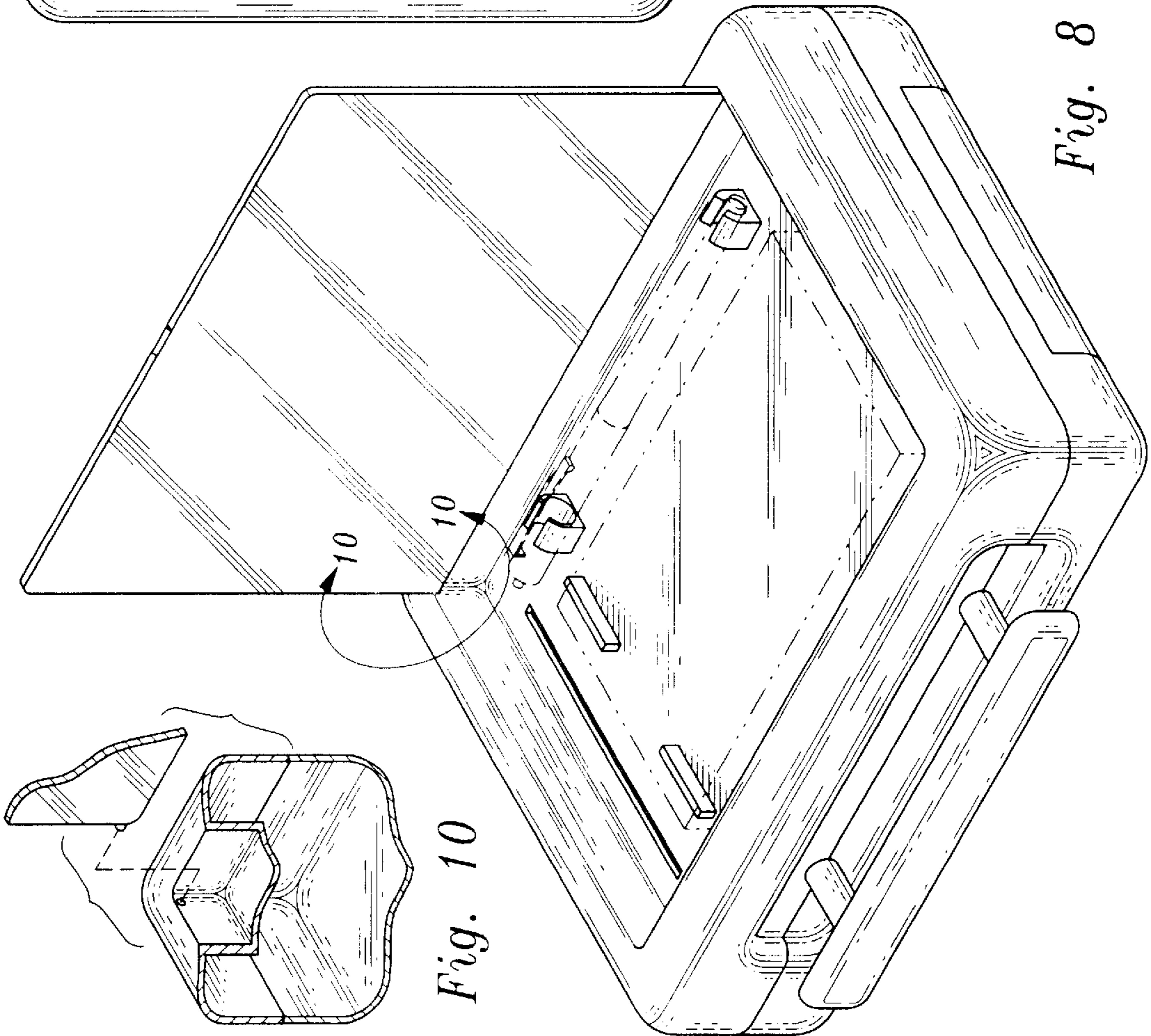


Fig. 8

Fig. 10