



US00D475161S

(12) **United States Design Patent**
Mundy

(10) **Patent No.:** **US D475,161 S**

(45) **Date of Patent:** **** May 27, 2003**

(54) **SPORTS ENTHUSIAST'S HELMET WITH BATTERY-POWERED STROBE UNIT**

(76) **Inventor:** **Paul D. Mundy**, 2813 W. Lorraine St., Tampa, FL (US) 33614-3370

(**) **Term:** **14 Years**

(21) **Appl. No.:** **29/165,480**

(22) **Filed:** **Aug. 12, 2002**

(51) **LOC (7) Cl.** **29-03**

(52) **U.S. Cl.** **D29/103**

(58) **Field of Search** D29/122, 102-107, D29/111; D2/865-866; 2/410-414, 418, 422, 423, 424, 425, 6.6, 209.13, 906, 171; 362/105-107, 35; 340/479, 432; 446/27

(56) **References Cited**

U.S. PATENT DOCUMENTS

2,640,980 A	6/1953	Prupis	340/321
3,142,833 A	7/1964	Bosley et al.	340/321
3,749,902 A *	7/1973	Drew	362/106
3,793,517 A *	2/1974	Carlini	362/106
3,963,917 A *	6/1976	Romano	362/106
4,186,429 A *	1/1980	Johnston	362/106
D296,719 S *	7/1988	Lester	D29/103
4,782,536 A *	11/1988	Stricklin et al.	2/414
D300,476 S	3/1989	Sestak	
D310,434 S *	9/1990	Breece	D29/103
5,128,844 A *	7/1992	Landais	362/105
5,136,726 A	8/1992	Kellin et al.	

5,353,008 A	10/1994	Eikenberry et al.	
5,386,592 A	2/1995	Checkeroski	
5,416,675 A	5/1995	DeBeaux	
5,438,494 A	8/1995	Harlan	
D406,400 S *	3/1999	Munns	D29/107
D407,187 S *	3/1999	Makki	D2/866
5,881,391 A	3/1999	Mullaney	
5,901,370 A	5/1999	Linday	
6,497,493 B1 *	12/2002	Theisen	362/105

FOREIGN PATENT DOCUMENTS

GB 2107039 A 4/1983

* cited by examiner

Primary Examiner—Ruth McInroy

(74) *Attorney, Agent, or Firm*—Donald R. Schoonover

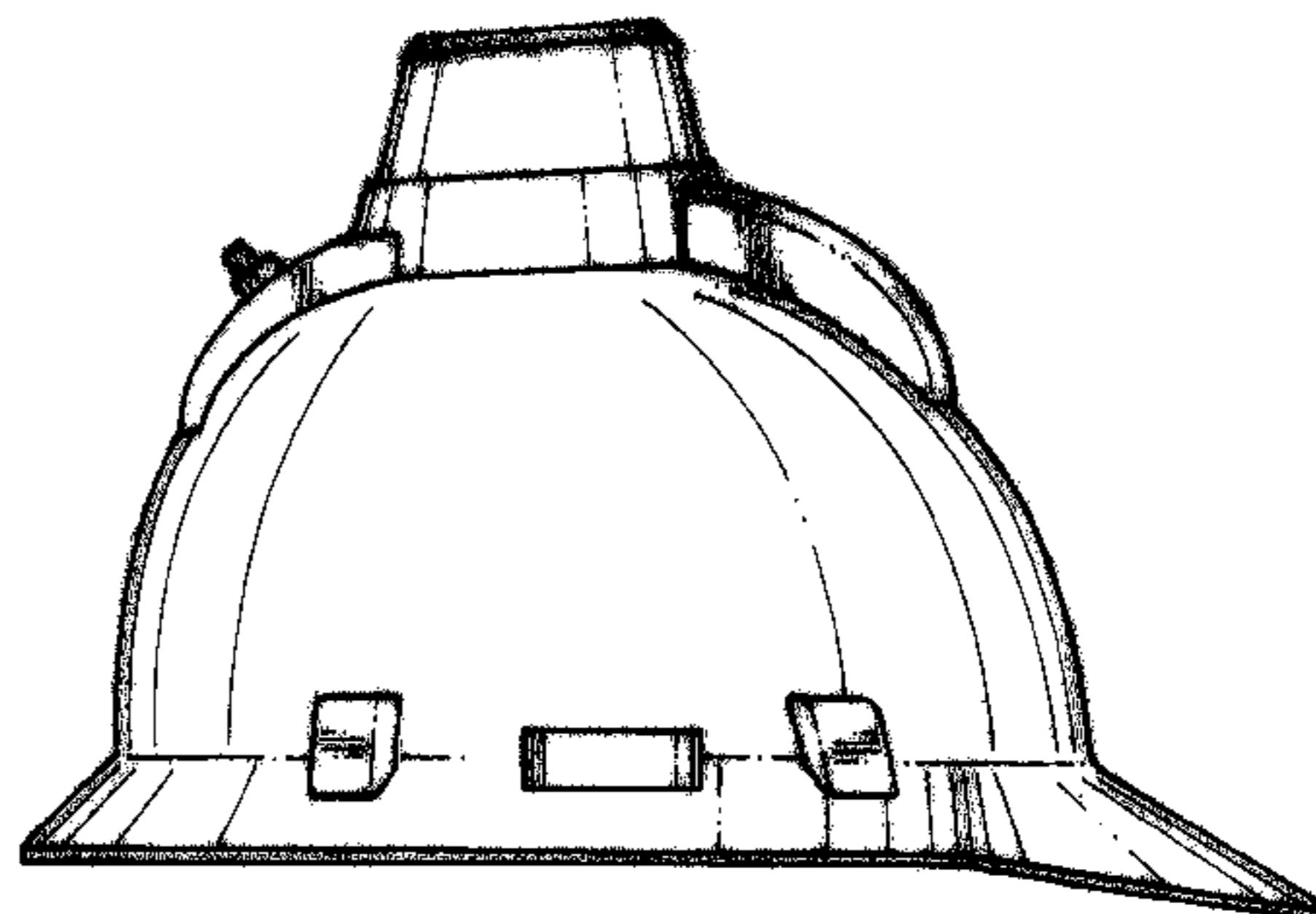
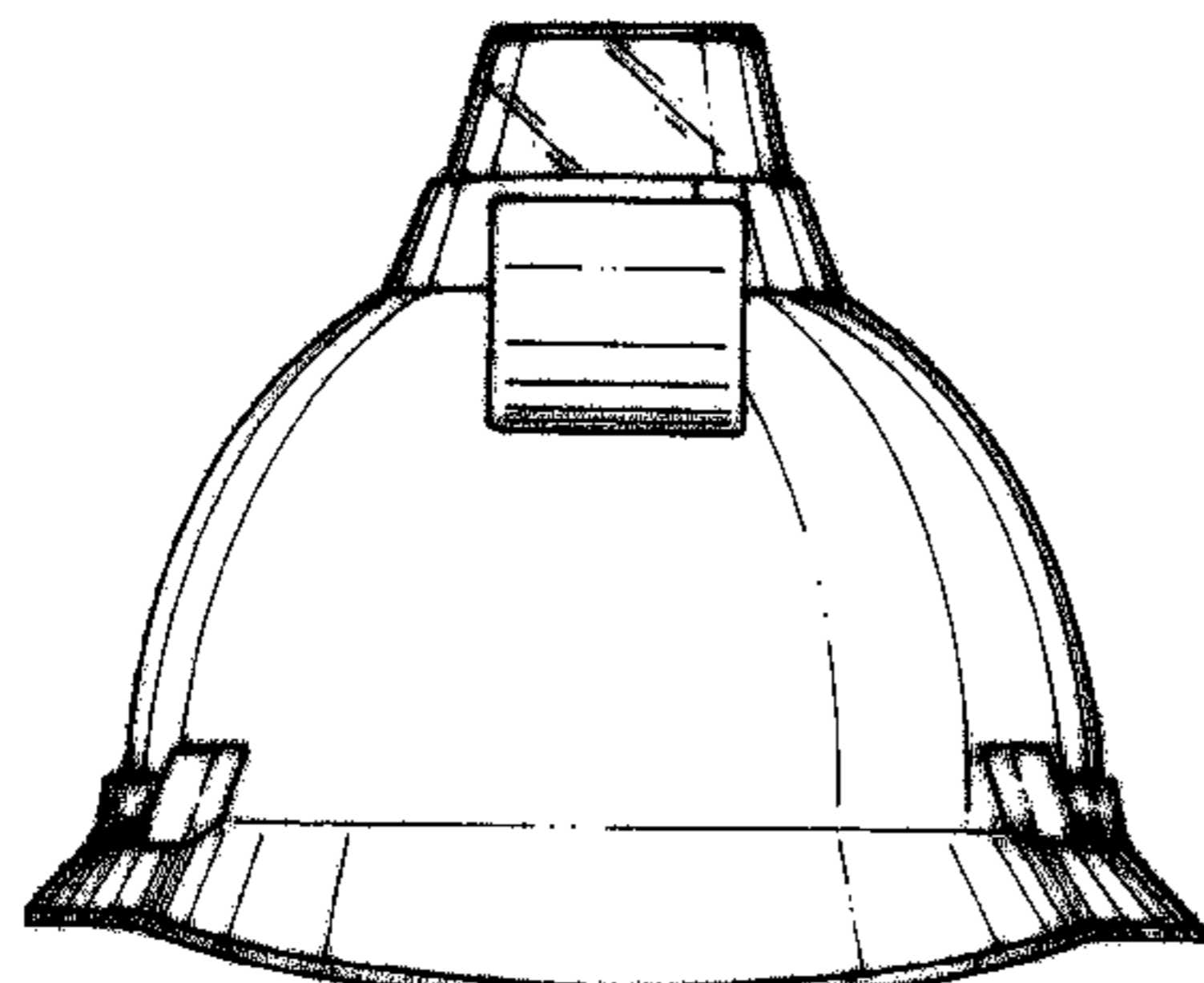
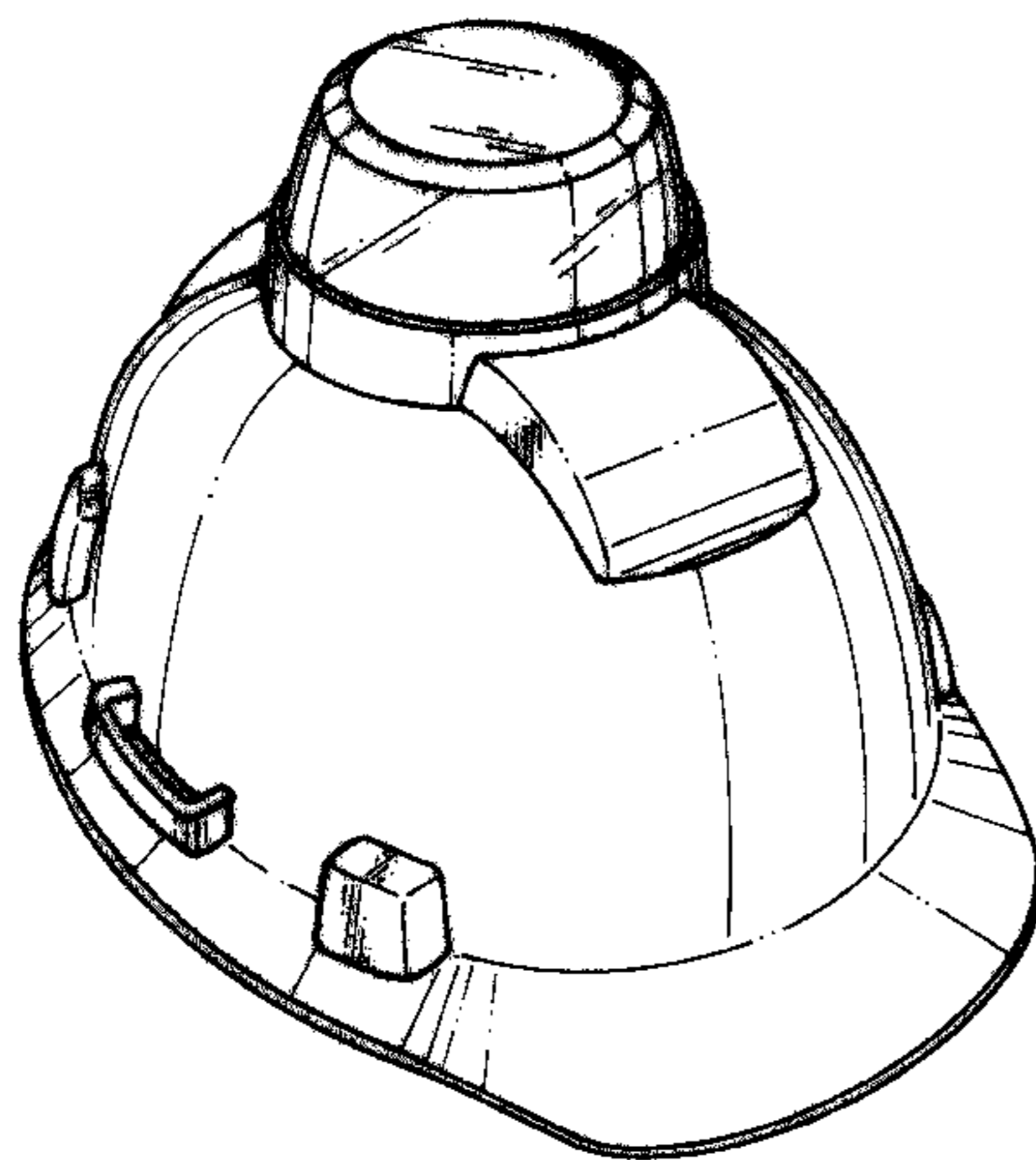
(57) **CLAIM**

The ornamental design for a sports enthusiast's helmet with battery-powered strobe unit, as shown and described.

DESCRIPTION

FIG. 1 is a perspective view of a sports enthusiast's helmet with battery-powered strobe unit showing my new design; FIG. 2 is a front elevational view thereof; FIG. 3 is a rear elevational view thereof; FIG. 4 is a right side elevational view thereof, the left side elevational view being a mirror image thereof; FIG. 5 is a top plan view thereof; and, FIG. 6 is a bottom plan view thereof.

1 Claim, 4 Drawing Sheets



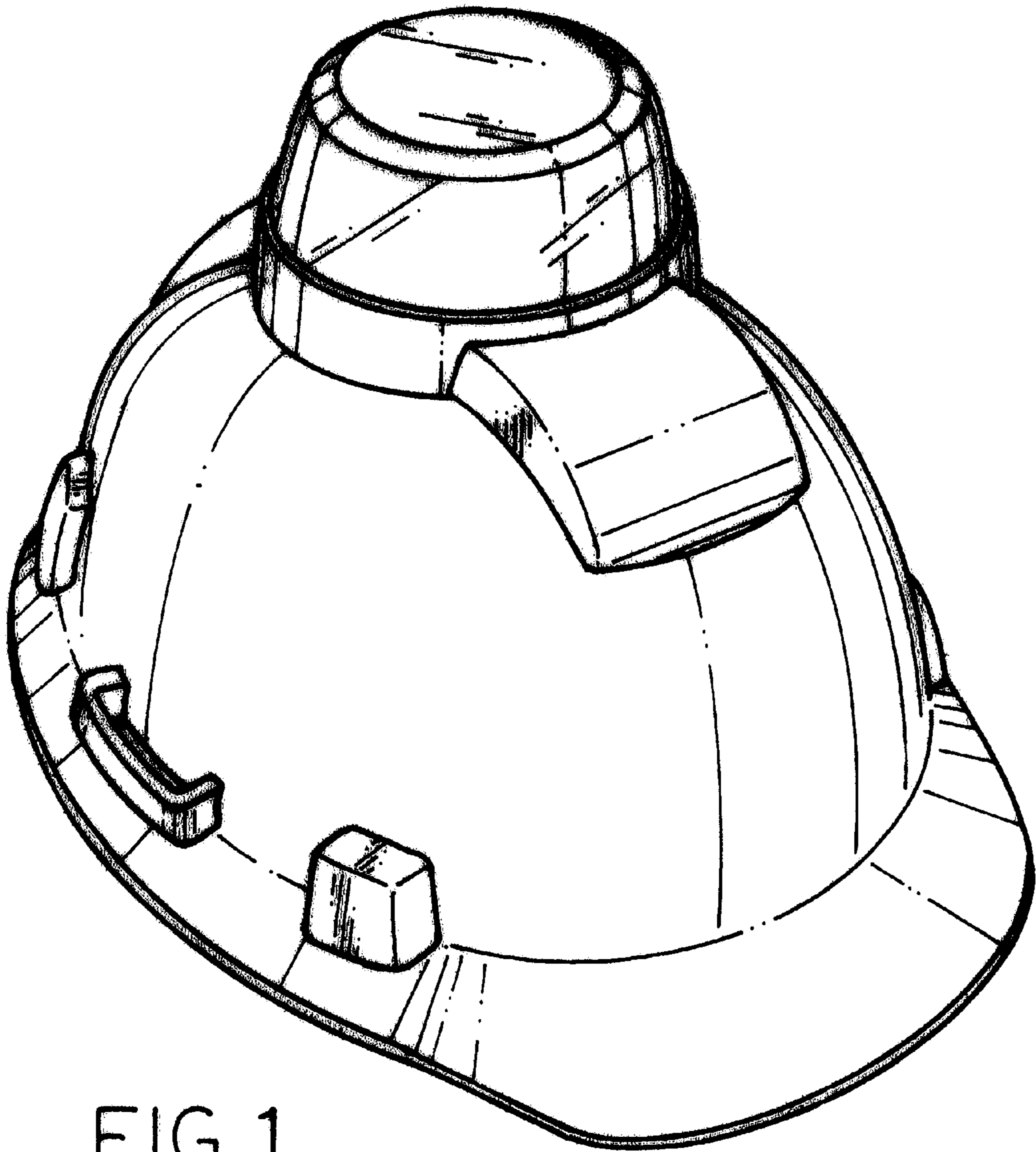


FIG. 1.

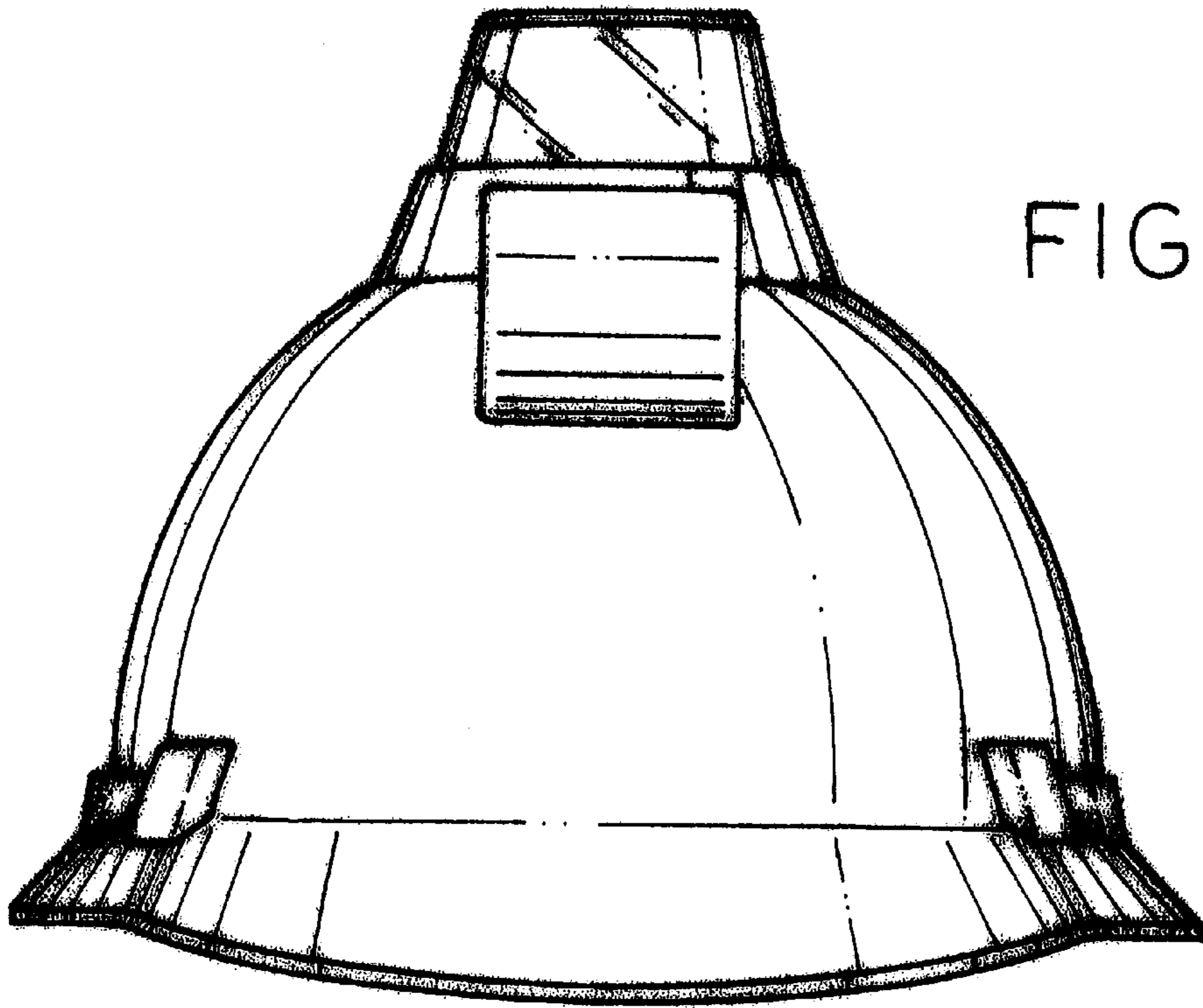


FIG. 2.

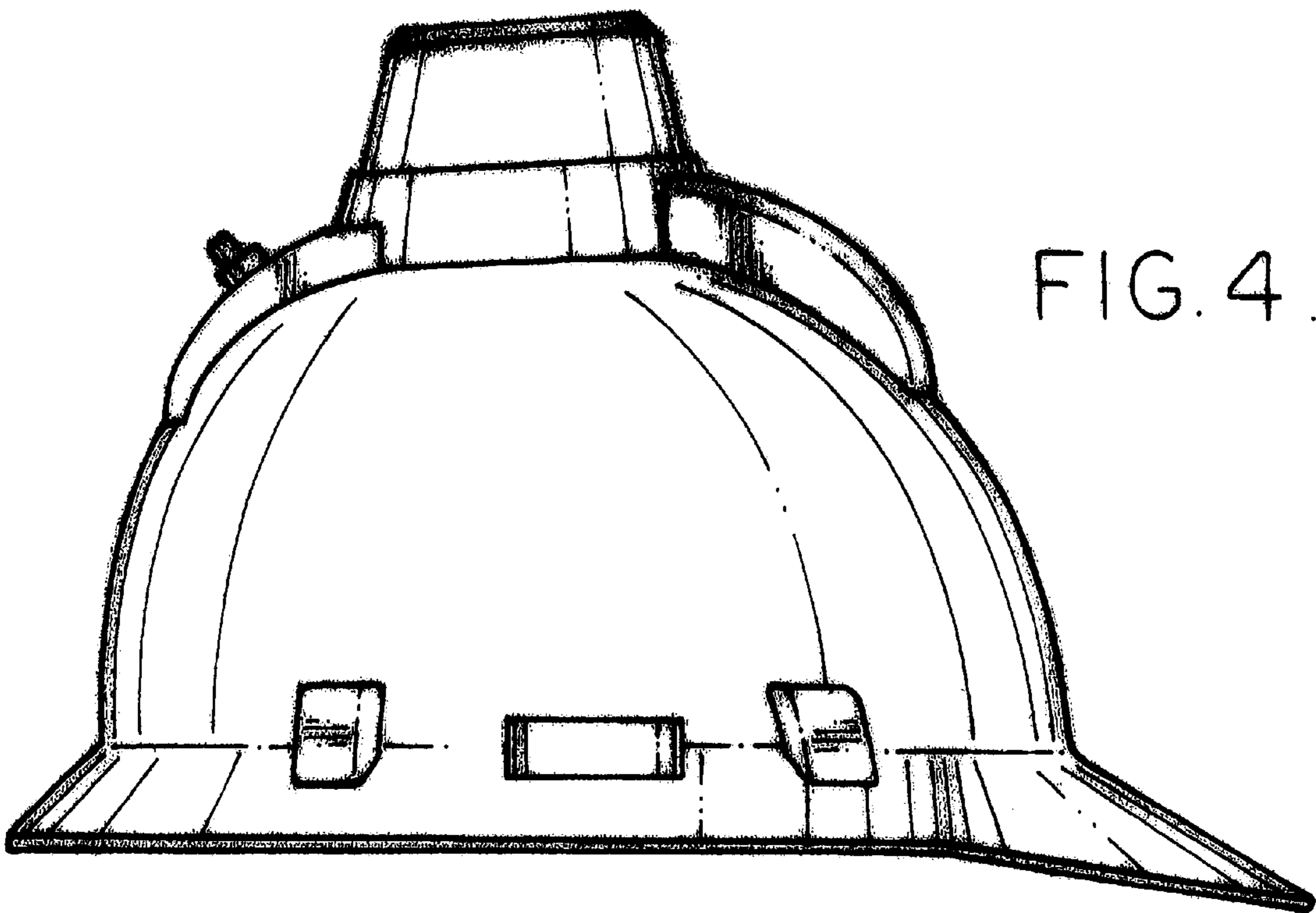


FIG. 4.

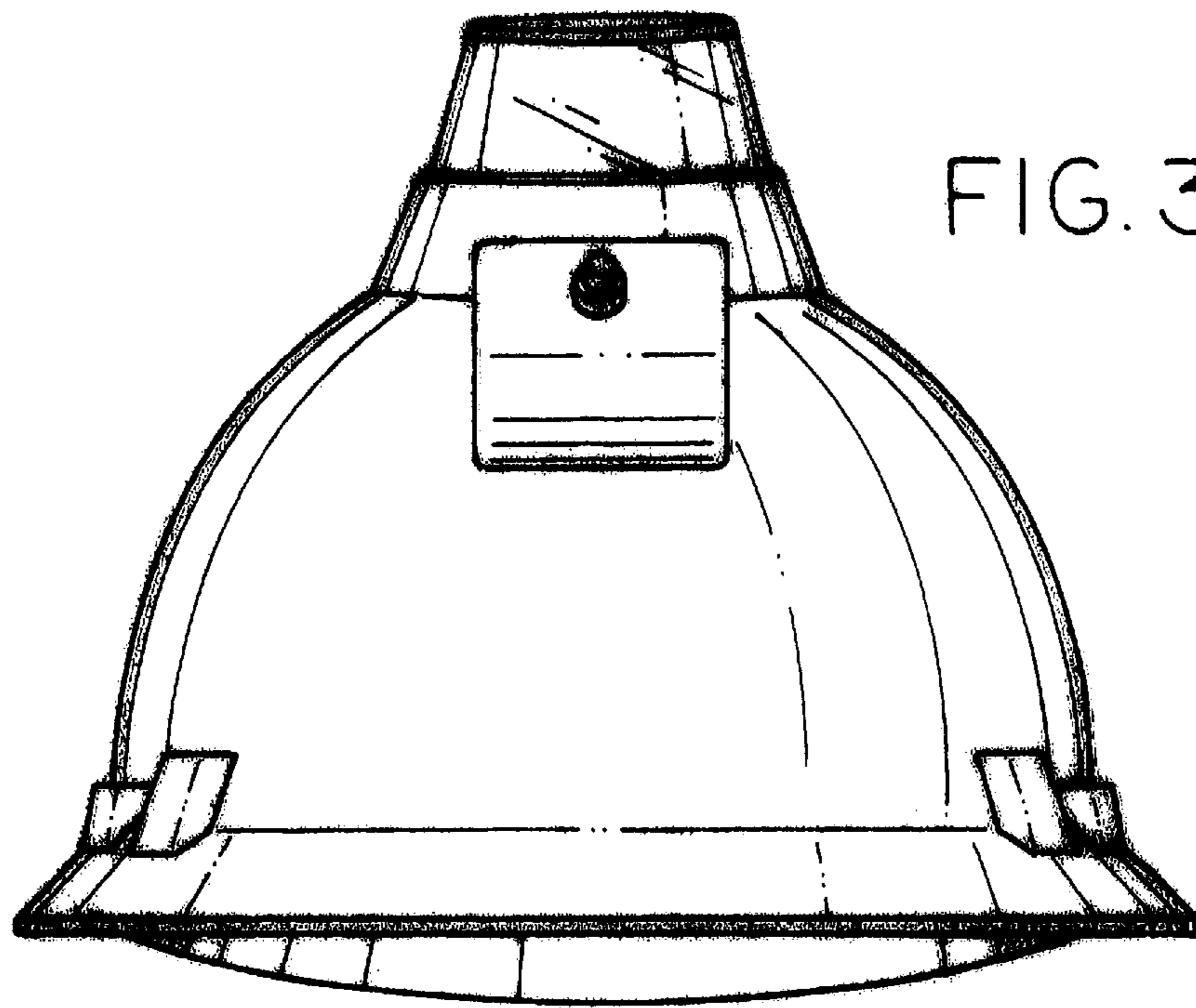


FIG. 3.

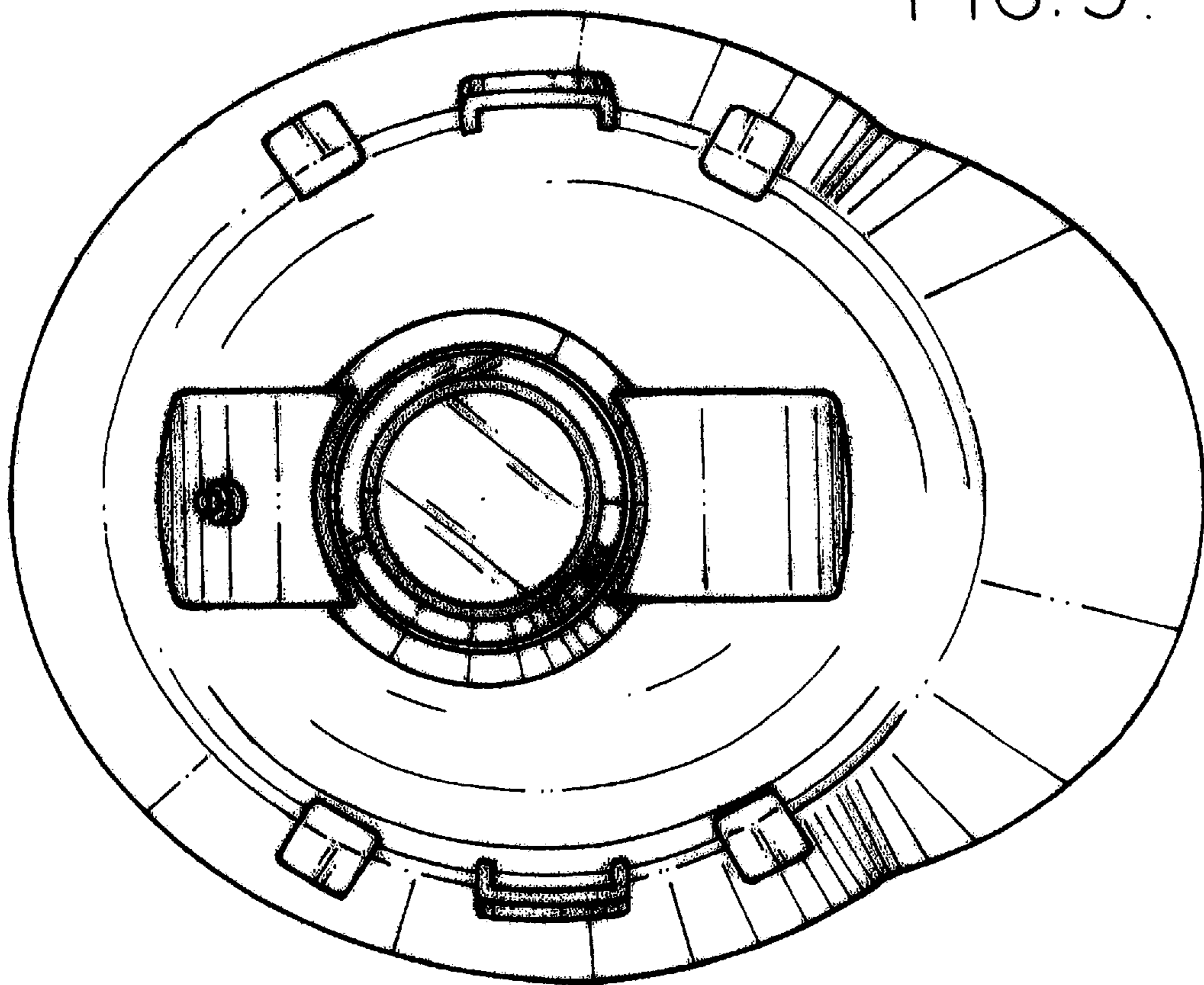


FIG. 5.

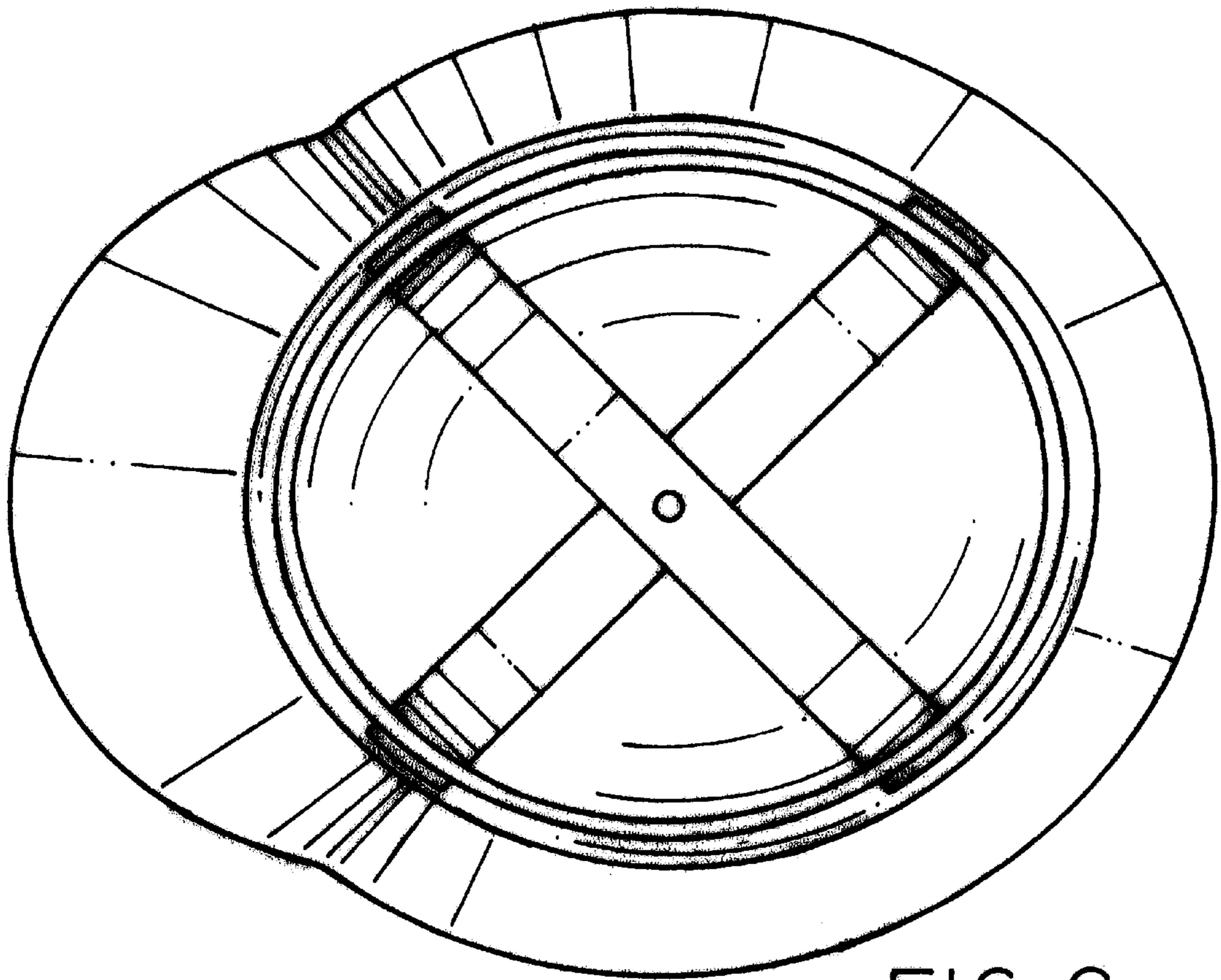


FIG. 6.