



US00D475155S

(12) **United States Design Patent** (10) **Patent No.:** **US D475,155 S**  
**Chen** (45) **Date of Patent:** **\*\* May 27, 2003**

(54) **TABLE LAMP**

(75) Inventor: **Shang-Chih Chen**, Taipei Hsien (TW)

(73) Assignee: **Ying Zhu Co., Ltd.**, Changhua (TW)

(\*\*) Term: **14 Years**

(21) Appl. No.: **29/163,299**

(22) Filed: **Jul. 2, 2002**

(51) **LOC (7) Cl.** ..... **26-03**

(52) **U.S. Cl.** ..... **D26/94**

(58) **Field of Search** ..... D26/51, 93-112;  
D6/399; 362/410-414, 806, 551, 559, 576,  
33, 84, 145; D19/77, 85

(56) **References Cited**

**U.S. PATENT DOCUMENTS**

D131,403 S \* 2/1942 Brooks ..... D26/96  
D383,241 S \* 9/1997 Germany ..... D26/94  
D442,712 S \* 5/2001 Boyer ..... D26/25  
D465,057 S \* 10/2002 Giudicelli ..... D26/102

**OTHER PUBLICATIONS**

Taiwan Lighting, Feb. 1997, pencil holder with pencils at top, right of p. 71.\*

\* cited by examiner

*Primary Examiner*—Alan P. Douglas

*Assistant Examiner*—Linda Brooks

(74) *Attorney, Agent, or Firm*—Browdy and Neimark, P.L.L.C.

(57) **CLAIM**

The ornamental design for a table lamp, as shown and described.

**DESCRIPTION**

FIG. 1 is a front elevational view of the table lamp of the present invention;

FIG. 2 is a back elevational view thereof;

FIG. 3 is a left side elevational view thereof;

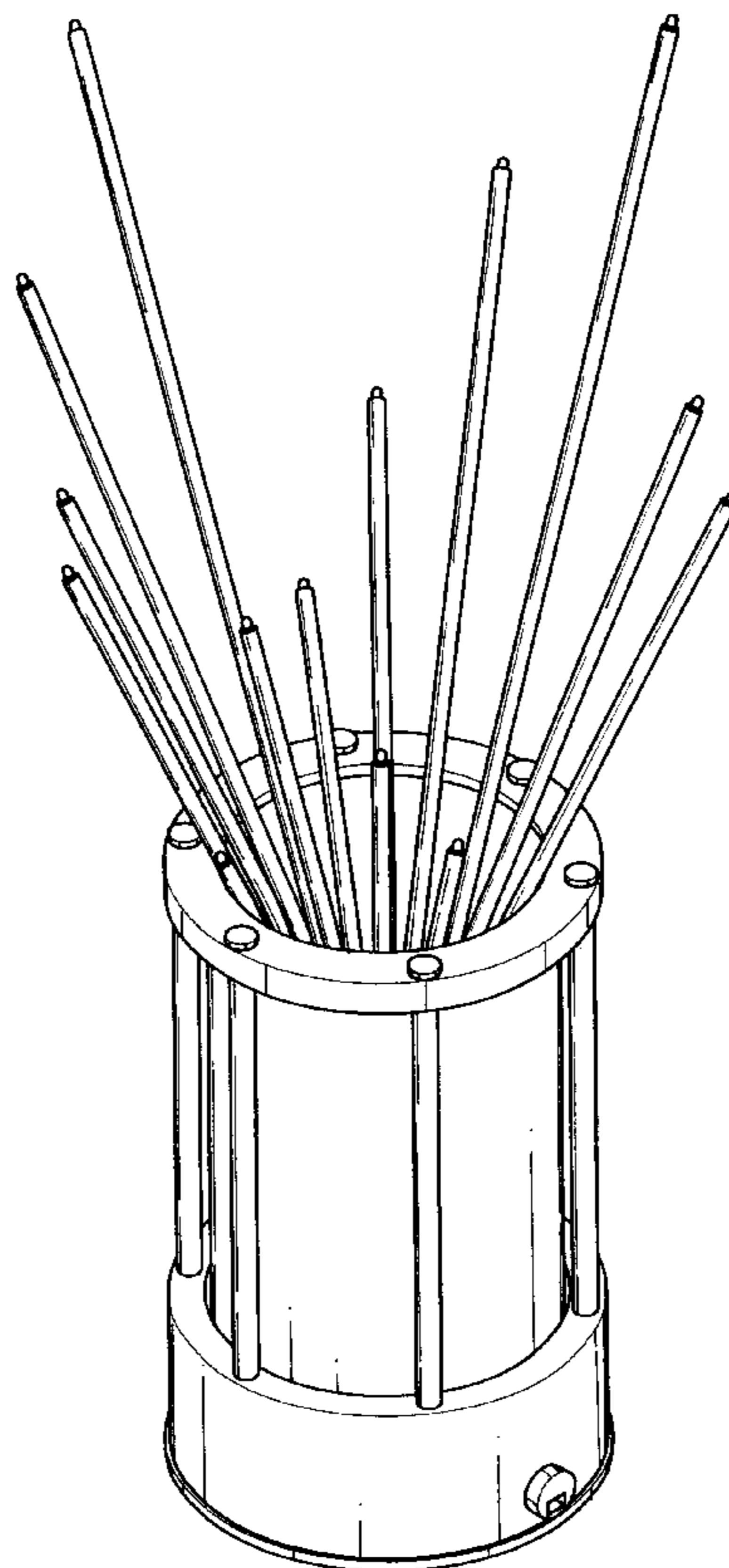
FIG. 4 is a right side elevational view thereof;

FIG. 5 is a top plan view thereof;

FIG. 6 is a bottom plan view thereof; and,

FIG. 7 is a perspective view thereof.

**1 Claim, 4 Drawing Sheets**



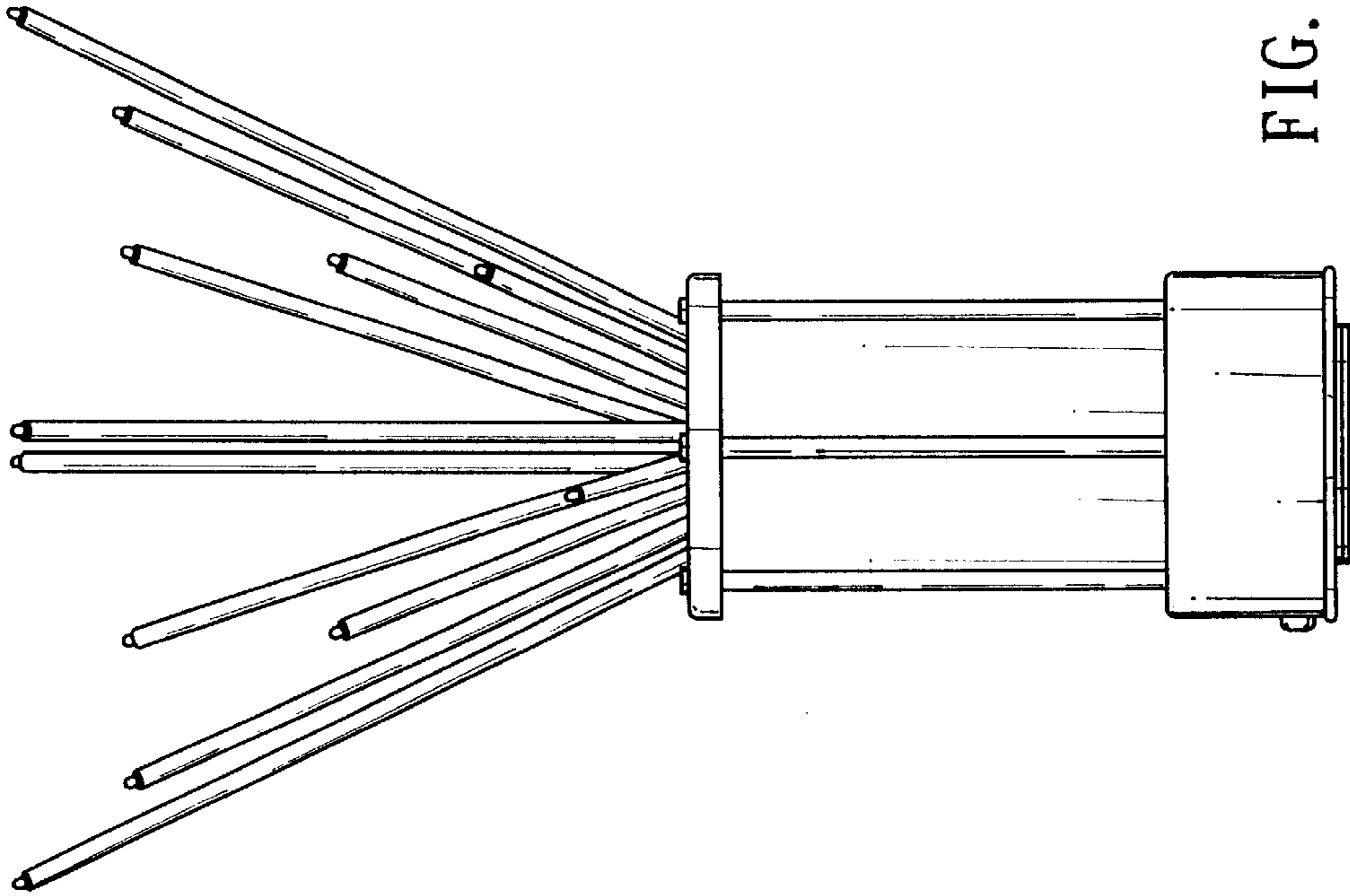


FIG. 2

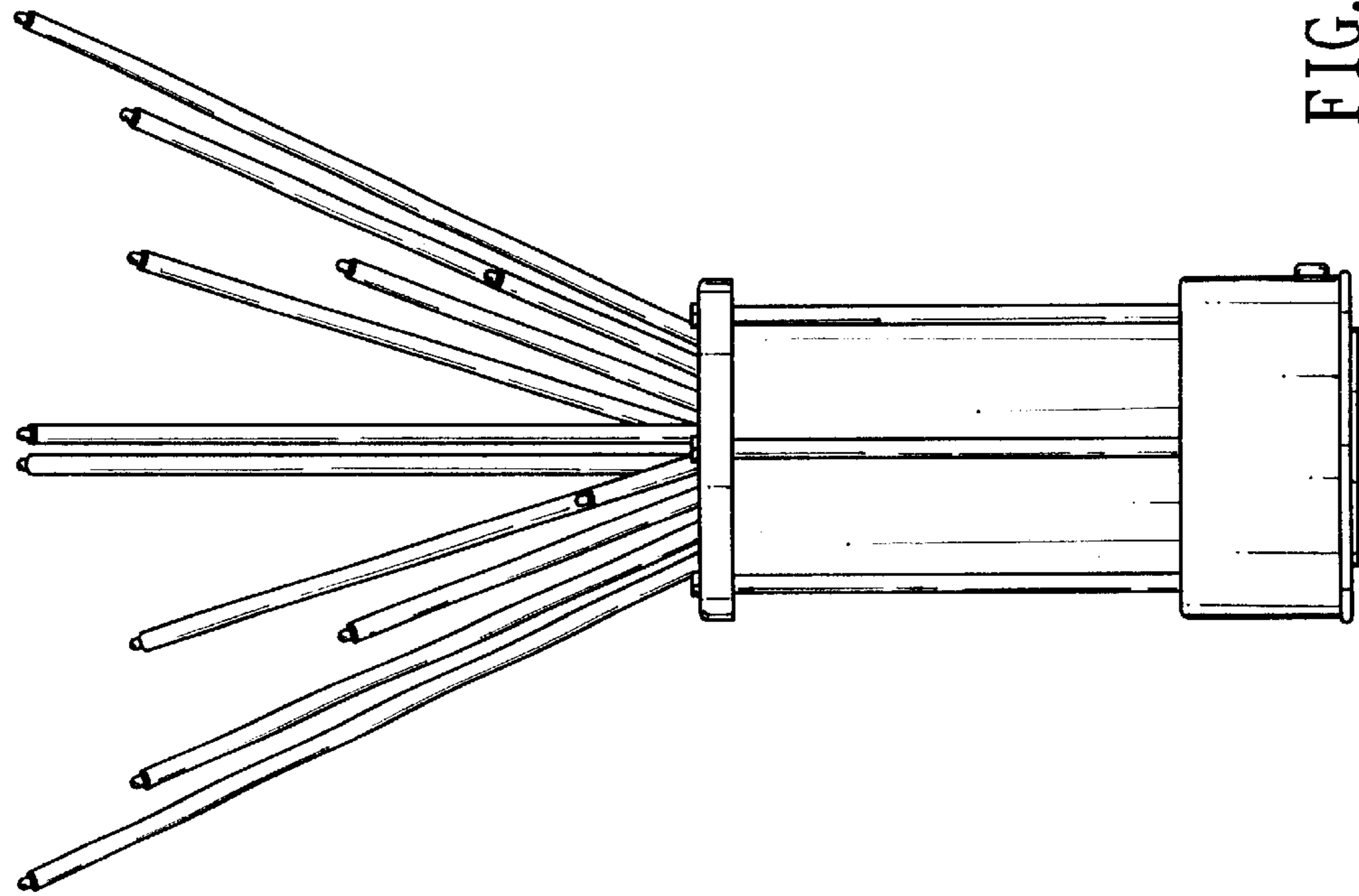


FIG. 1

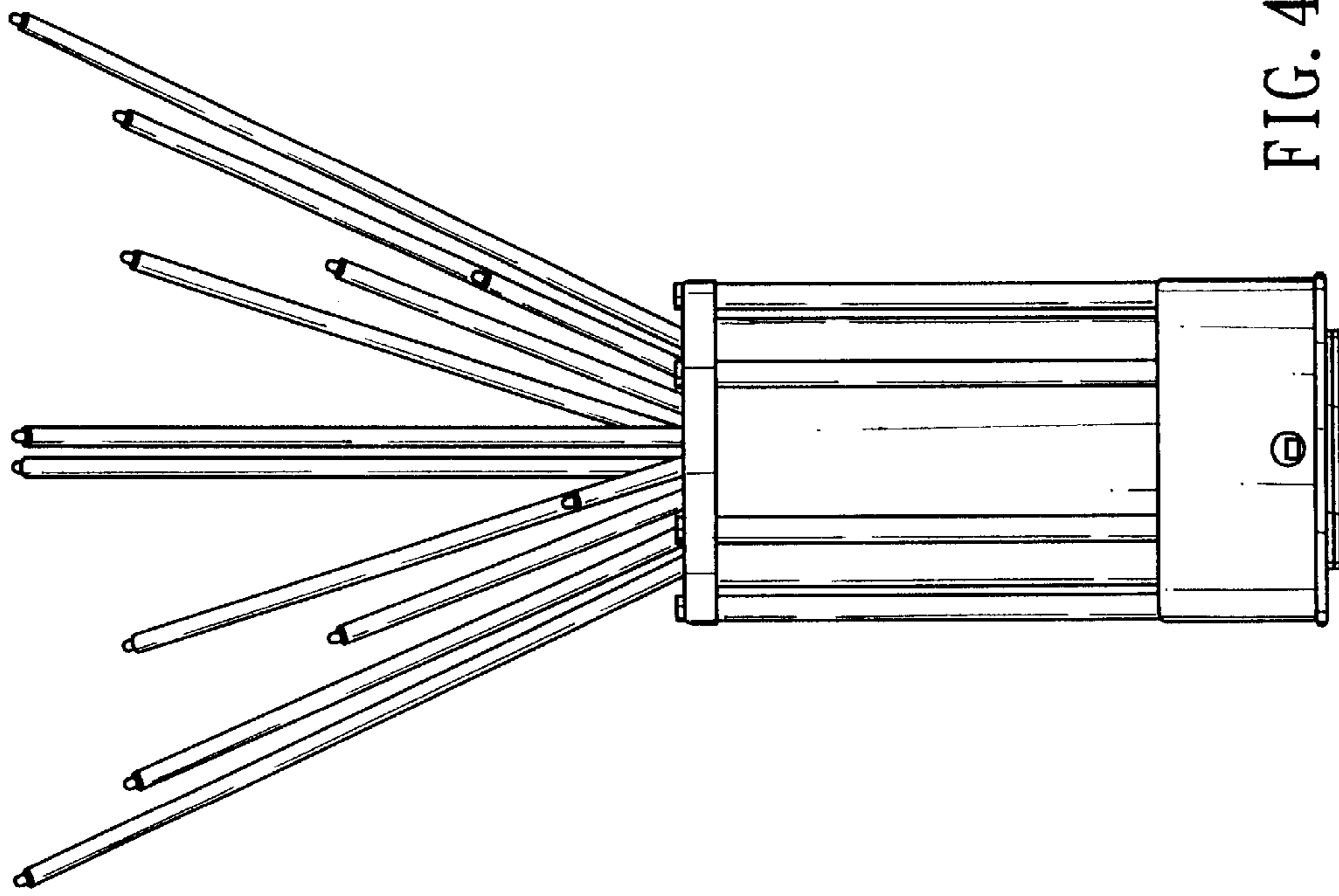


FIG. 4

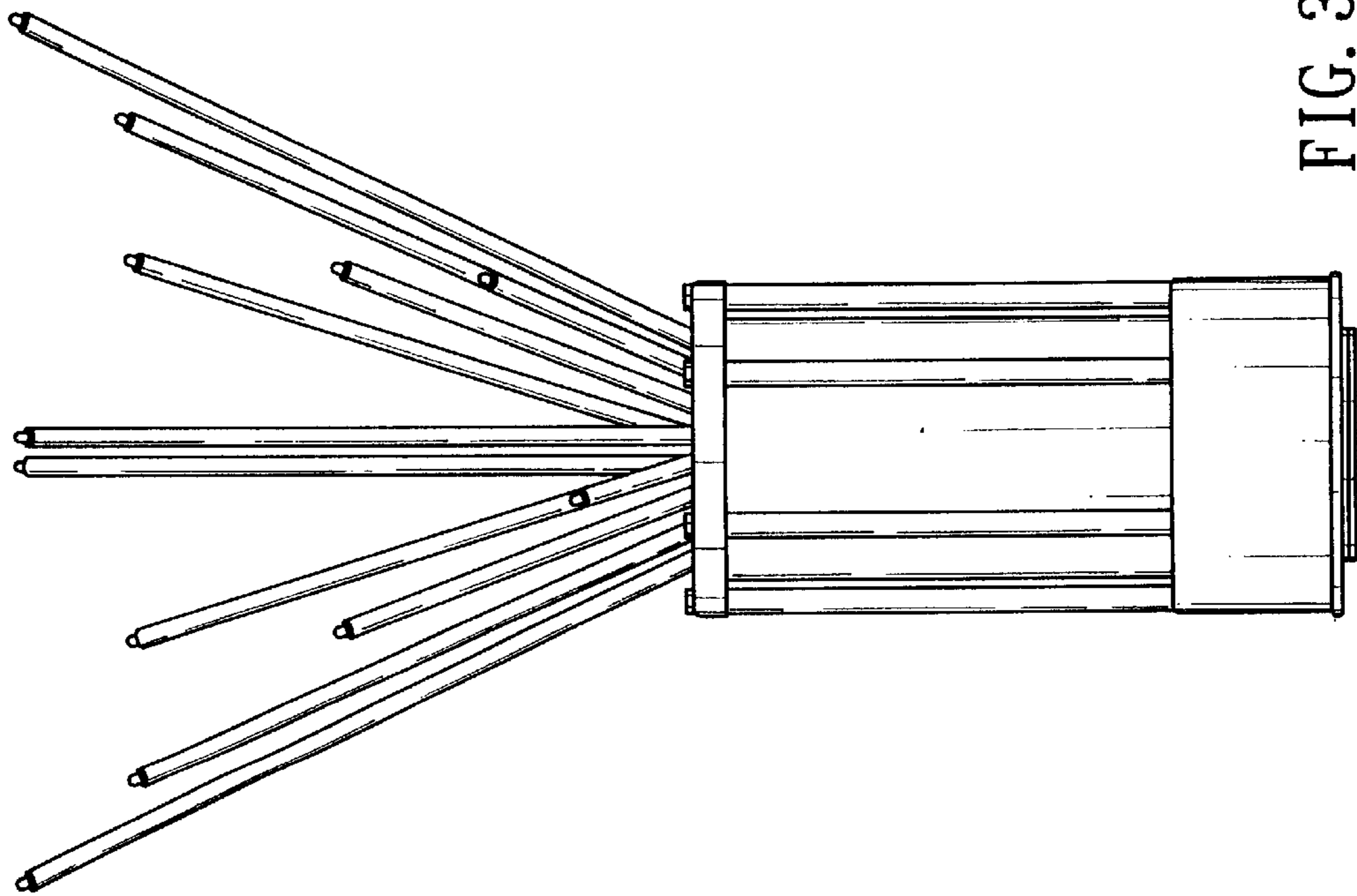


FIG. 3

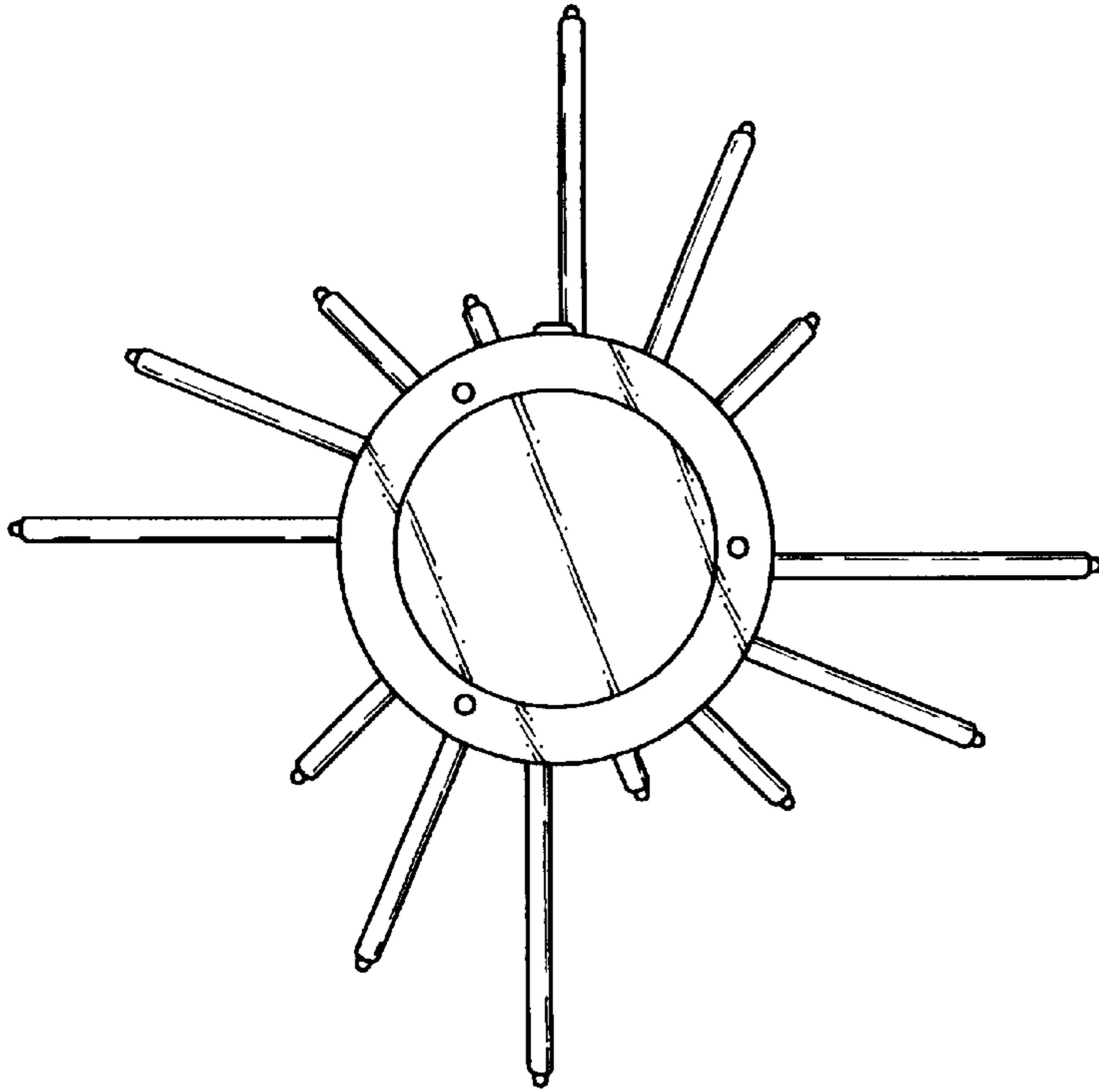


FIG. 6

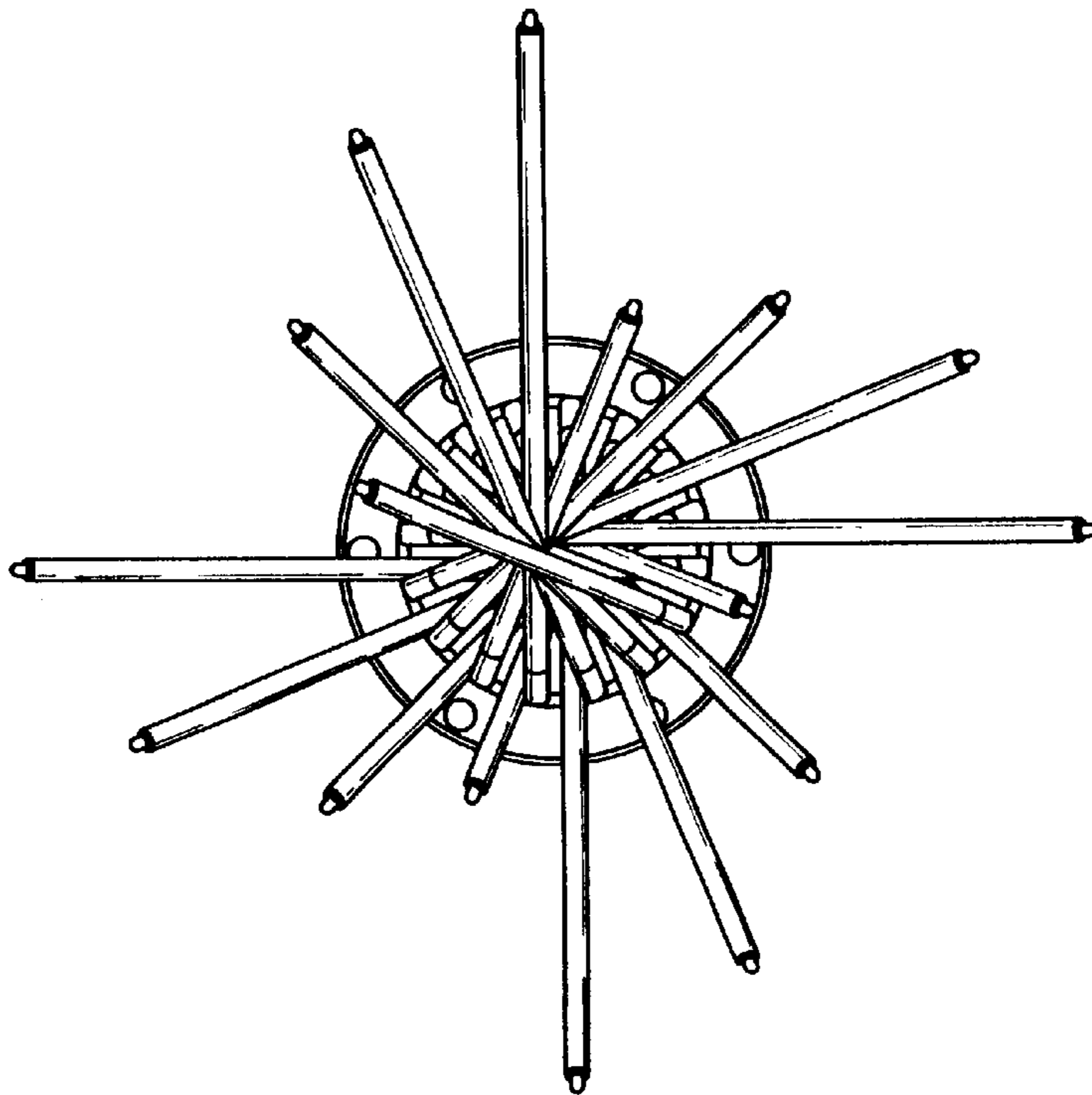


FIG. 5

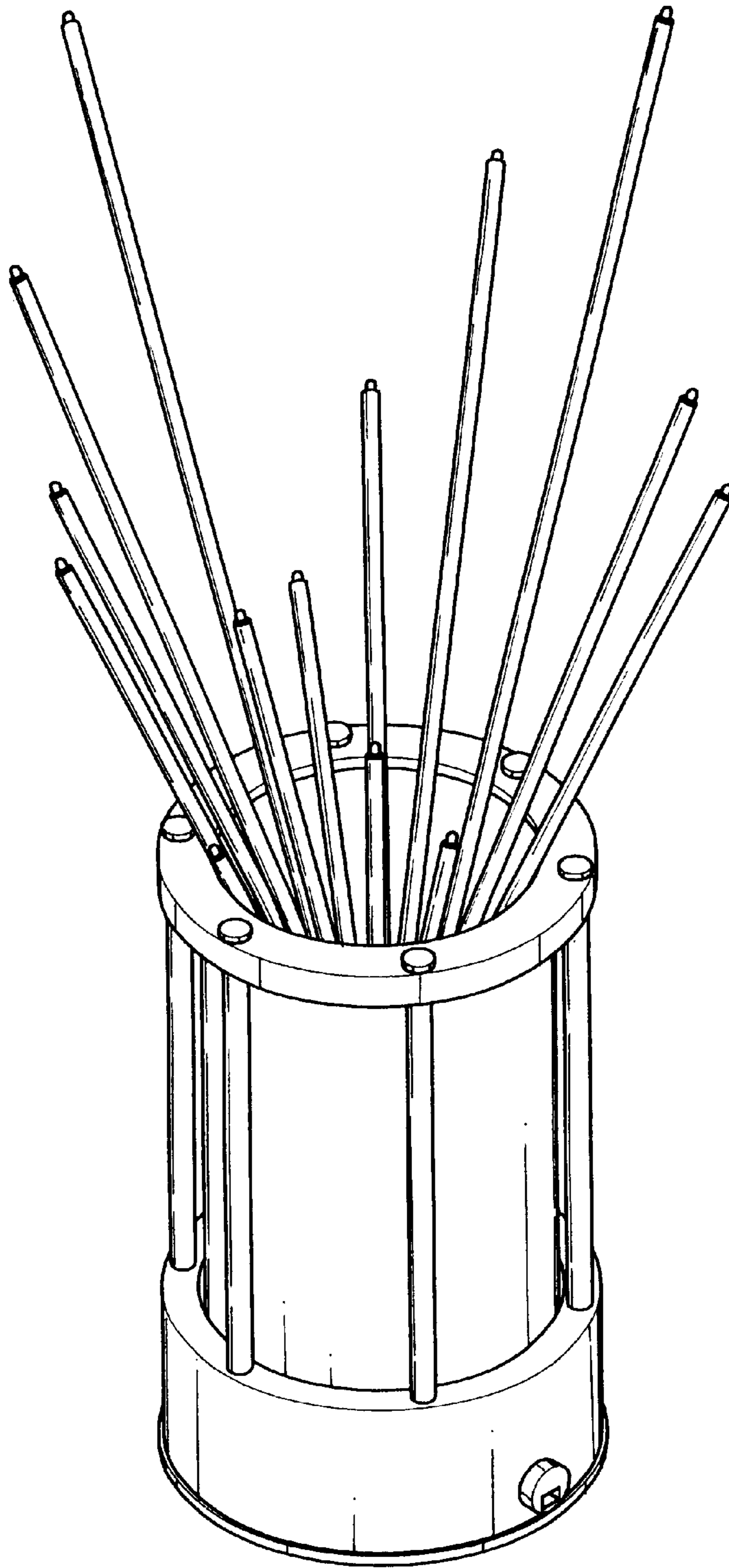


FIG. 7