



US00D475150S

(12) **United States Design Patent**  
**Yuen**

(10) **Patent No.:** **US D475,150 S**

(45) **Date of Patent:** **\*\* May 27, 2003**

(54) **MULTI-FUNCTION LANTERN**

(75) **Inventor:** **Se Kit Yuen, Kwun Tong (HK)**

(73) **Assignee:** **John Manufacturing Ltd., Kowloon (HK)**

(\*\*) **Term:** **14 Years**

(21) **Appl. No.:** **29/164,800**

(22) **Filed:** **Jul. 30, 2002**

(51) **LOC (7) Cl.** ..... **26-02**

(52) **U.S. Cl.** ..... **D26/42**

(58) **Field of Search** ..... **D26/37-50; 362/157, 362/158, 171, 172, 173, 183-208**

(56) **References Cited**

**U.S. PATENT DOCUMENTS**

D322,682 S	12/1991	Yuen	
D348,941 S	7/1994	Yuen	
D363,563 S	* 10/1995	Yuen	..... D26/42
D375,374 S	* 11/1996	Yuen	..... D26/42

D378,142 S	*	2/1997	Lam	.....	D26/42
D423,127 S	*	4/2000	Yuen	.....	D26/42
D443,372 S	*	6/2001	Yuen	.....	D26/42
D445,207 S		7/2001	Yuen		

\* cited by examiner

*Primary Examiner*—Marcus A. Jackson

(74) *Attorney, Agent, or Firm*—Merchant & Gould P.C.

(57) **CLAIM**

The ornamental design for multi-function lantern, as shown and described.

**DESCRIPTION**

FIG. 1 is a front elevational view of one embodiment of a multi-function lantern in accordance with my invention; FIG. 2 is a rear elevational view thereof; FIG. 3 is a top elevational view thereof; FIG. 4 is a bottom elevational view thereof; FIG. 5 is a left side elevational view thereof; and, FIG. 6 is a right side elevational view of a multi-function lantern.

**1 Claim, 5 Drawing Sheets**

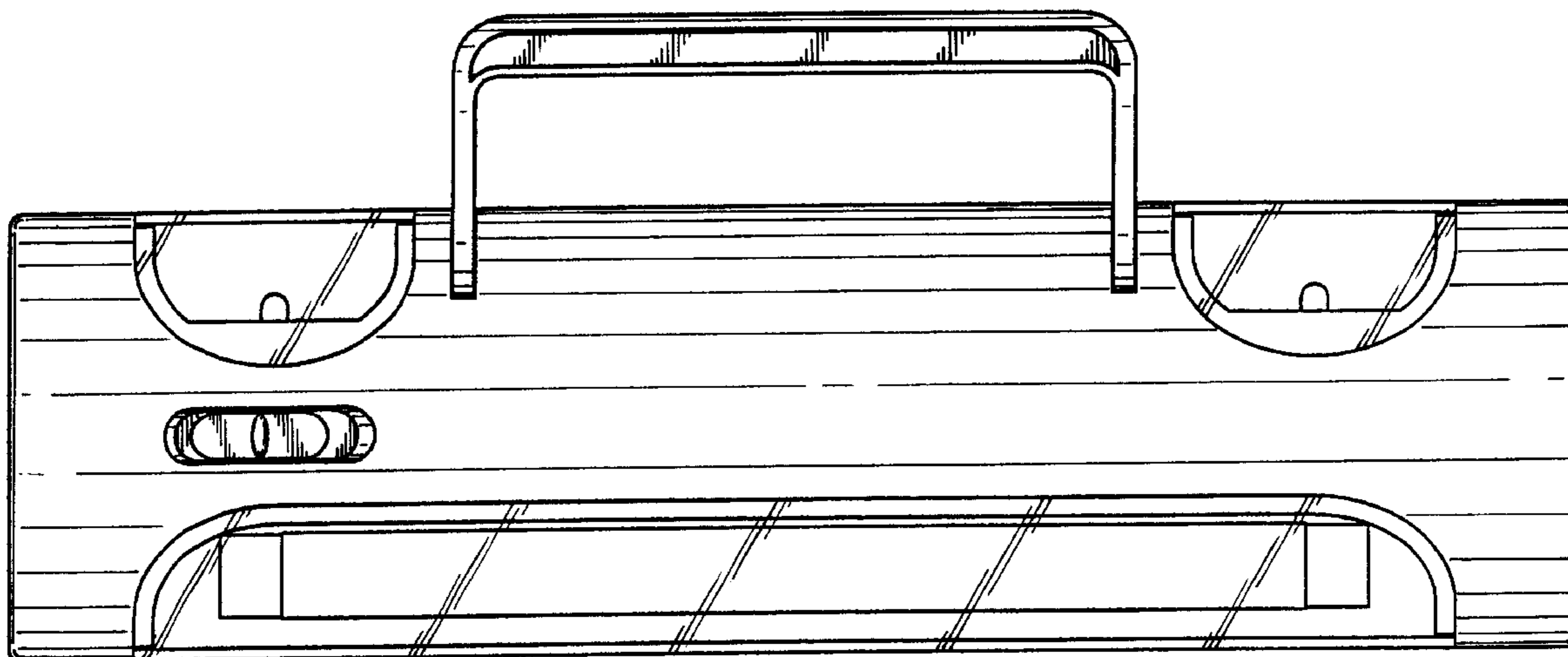


FIG. 1

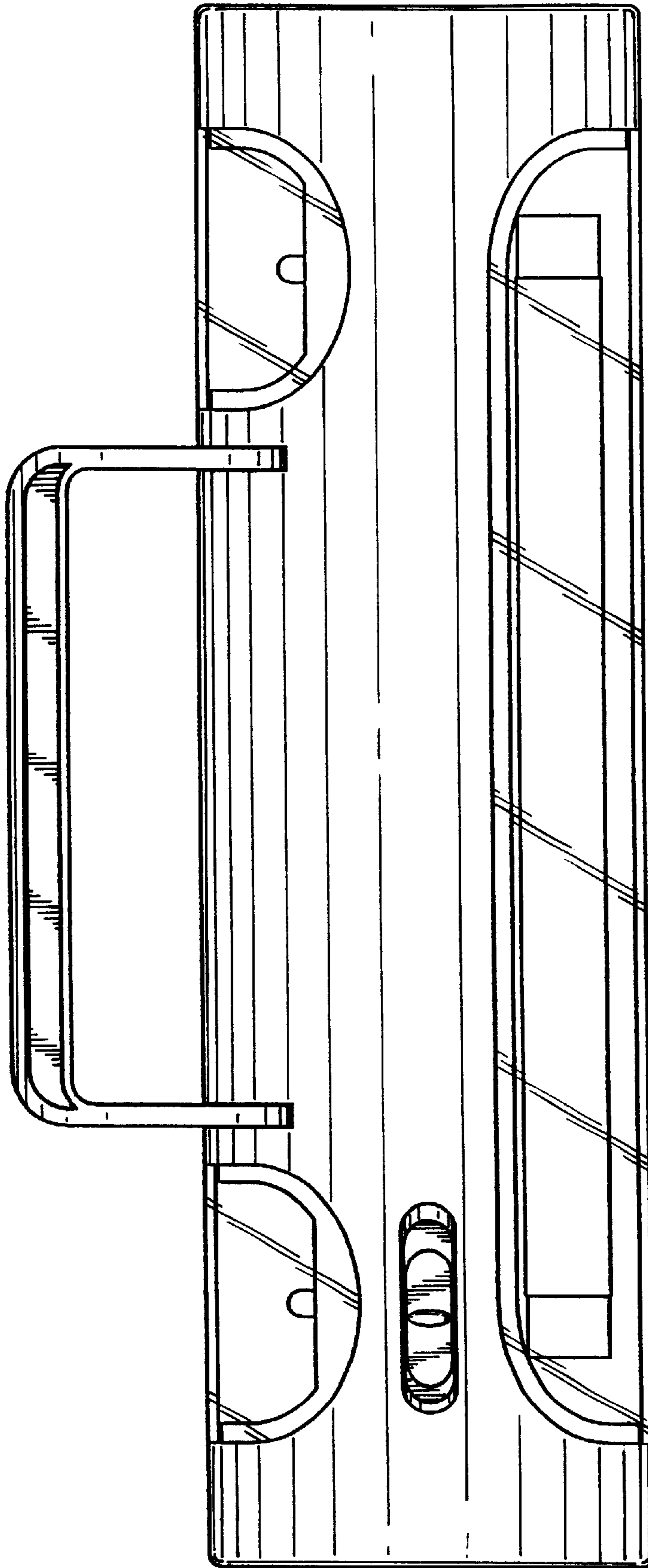
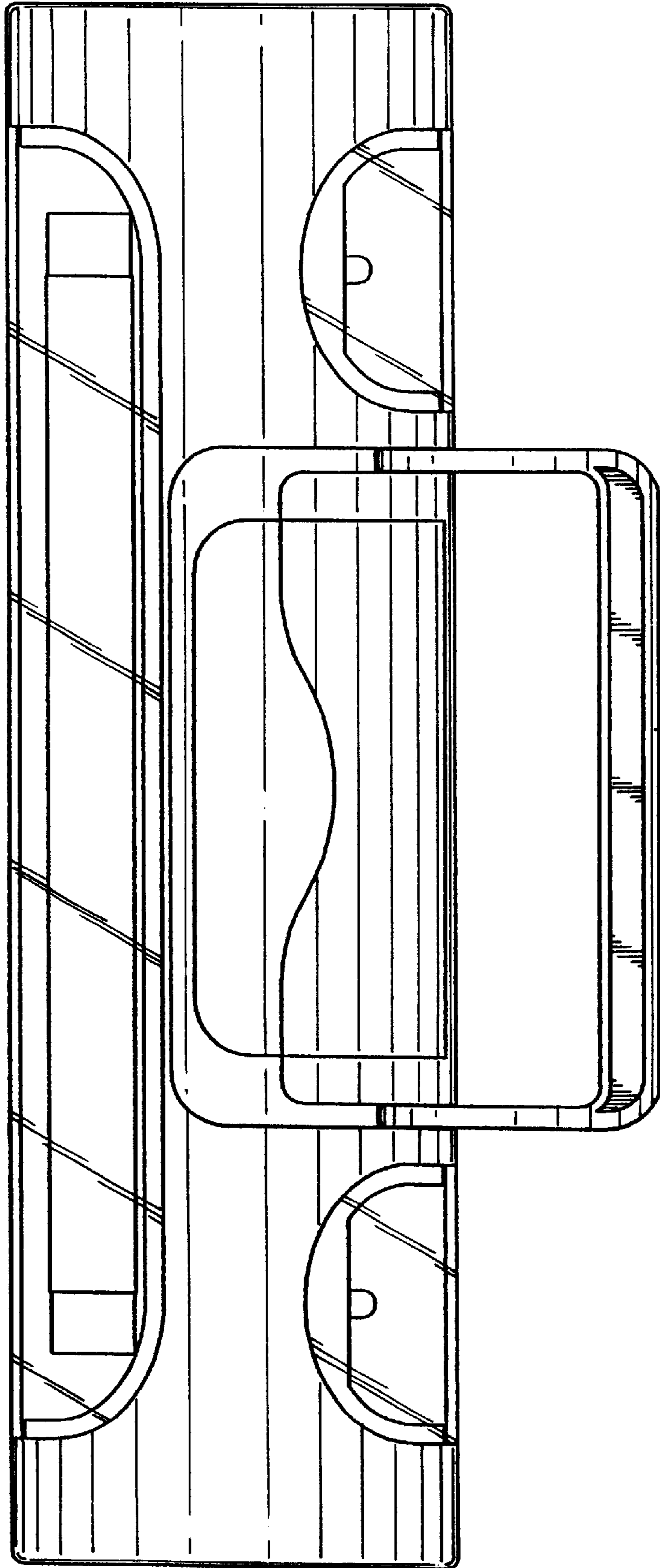


FIG. 2



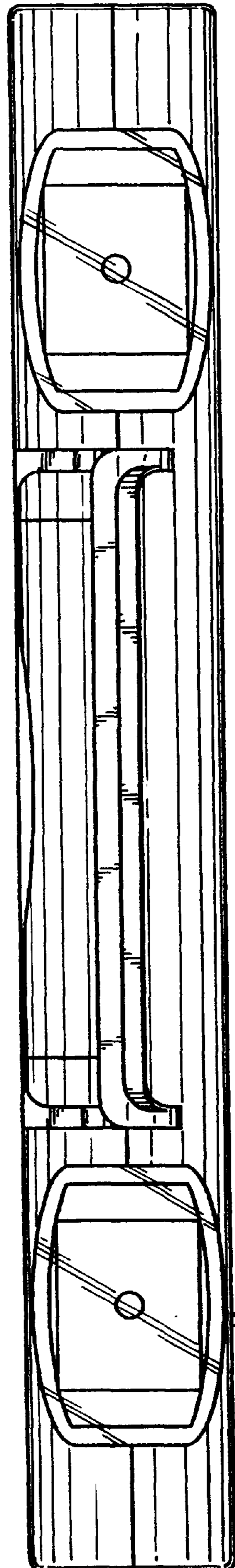


FIG. 3

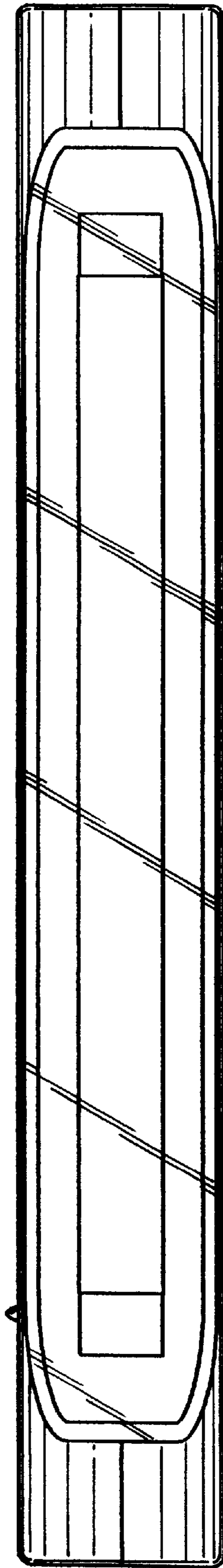


FIG. 4

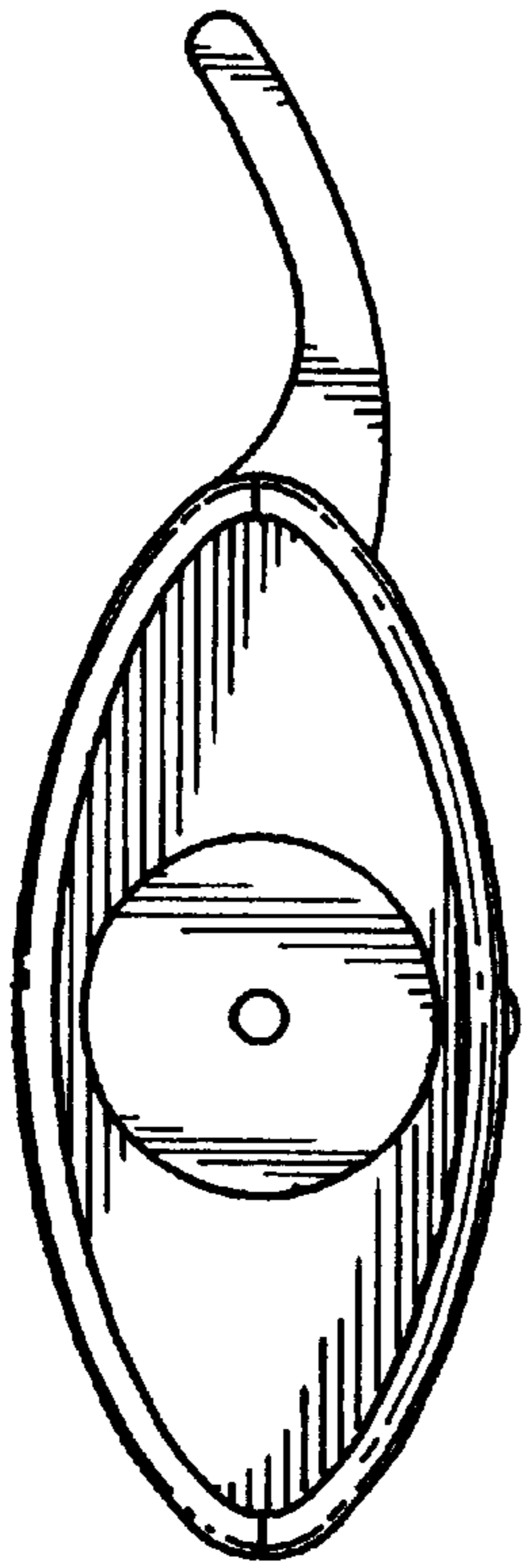


FIG. 5

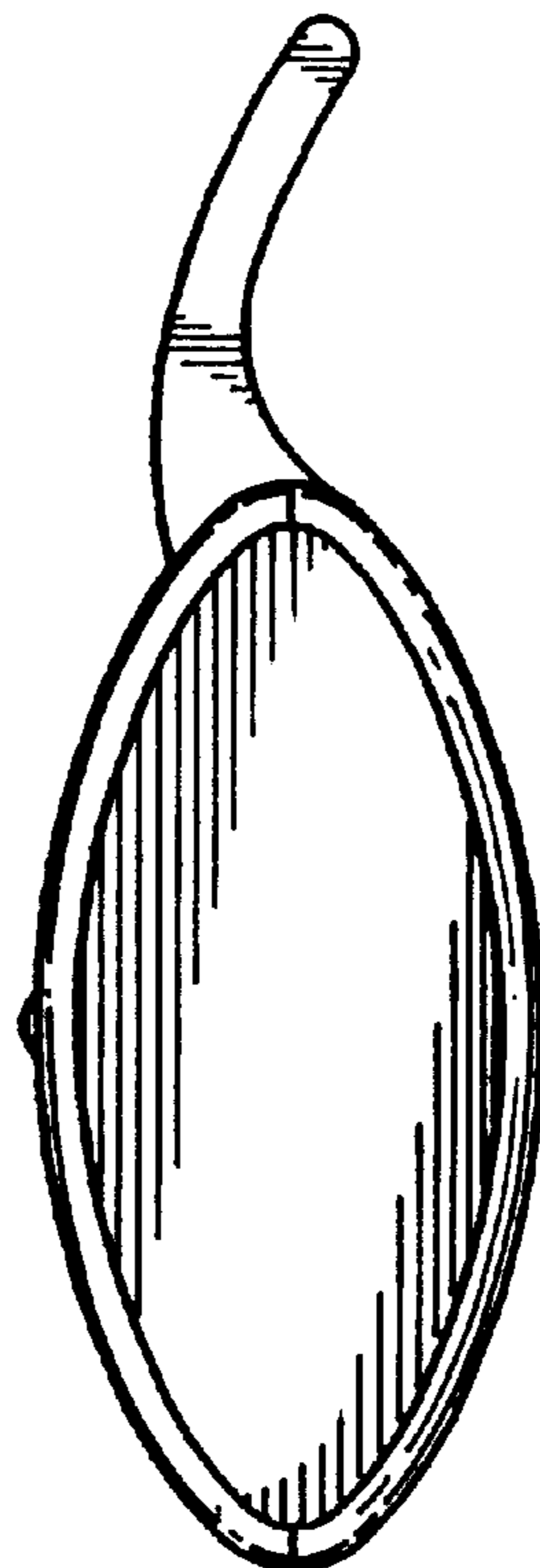


FIG. 6