



US00D475146S

(12) **United States Design Patent**
Mullet

(10) **Patent No.:** **US D475,146 S**

(45) **Date of Patent:** **** May 27, 2003**

(54) **SECTIONAL DOOR PANEL**

(75) Inventor: **Willis J. Mullet**, Gulf Breeze, FL (US)

(73) Assignee: **Wayne-Dalton Corp.**, Mt. Hope, OH (US)

(**) Term: **14 Years**

(21) Appl. No.: **29/162,271**

(22) Filed: **Jun. 12, 2002**

(51) **LOC (7) Cl.** **25-01**

(52) **U.S. Cl.** **D25/138**

(58) **Field of Search** 160/201, 236,
160/98-101, 102, 103; 52/311.2, 314, 311.1,
312, 455, 456; D25/48, 60, 55, 136, 138

(56) **References Cited**

U.S. PATENT DOCUMENTS

4,537,237	A	8/1985	Sepulveda et al.	160/201
4,550,540	A	* 11/1985	Thorn	52/456
5,358,025	A	10/1994	Wood	160/368.1
5,445,208	A	8/1995	Shaner et al.	160/232
5,755,064	A	5/1998	Meyer et al.	52/174
5,865,235	A	2/1999	Krupke et al.	160/191
D411,022	S	* 6/1999	Schafernak et al.	D25/138
6,148,896	A	11/2000	Pinto et al.	160/229.1
6,408,926	B1	6/2002	Hoofard et al.	160/236
6,446,695	B1	9/2002	Forsland	160/201

OTHER PUBLICATIONS

Wayne-Dalton Corp. sales literature for Foamcore 37 ©1996.

Wayne-Dalton Corp. sales literature for Wayne-Dalton 8000 ©2002.

Wayne-Dalton Corp. sales literature for Waynemark 8500 ©1999.

Wayne-Dalton Corp. sales literature for Foamcore II ©2000.

Wayne-Dalton Corp. sales literature for Thermogard II ©2000.

Wayne-Dalton Corp. sales literature for Thermowayne II ©2000.

Publication: *International Door & Operator Industry*, pp. 31, 39, 75, 93, 97, 103, 113, 129 and 179. dated 2002.

Publication: *Door & Access Systems*, pp. 3, 23 and 49. dated summer 2002.

* cited by examiner

Primary Examiner—Doris Clark

(74) *Attorney, Agent, or Firm*—Renner, Kenner, Greive, Bobak, Taylor & Weber

(57) **CLAIM**

The ornamental design for a sectional door panel, as shown and described.

DESCRIPTION

FIG. 1 is a top plan view of a sectional door panel showing my new design;

FIG. 2 is a front elevational view thereof;

FIG. 3 is a right end elevational view thereof, with the left end elevational view being a mirror image thereof;

FIG. 4 is a bottom plan view thereof;

FIG. 5 is a rear elevational view thereof;

FIG. 6 is an enlarged sectional view thereof, taken substantially along the line 6—6 of FIG. 2;

FIG. 7 is a top front and right end enlarged fragmentary perspective view thereof, showing the portion of the design indicated in FIG. 2;

FIG. 8 is a top plan view of a sectional door panel showing a second embodiment of my new design;

FIG. 9 is a front elevational view thereof;

FIG. 10 is a right end elevational view thereof, with the left end elevational view being a mirror image thereof;

FIG. 11 is a bottom plan view thereof;

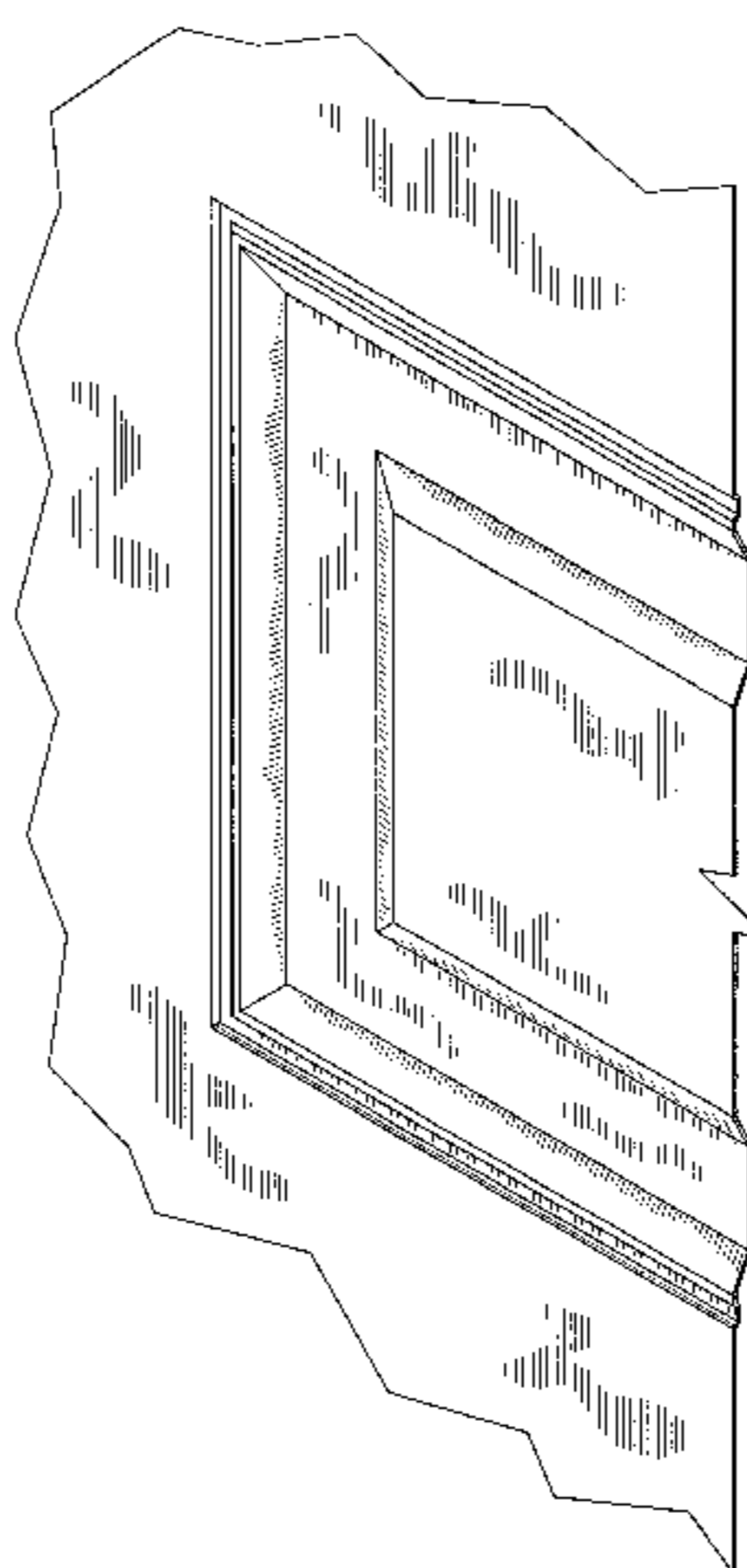
FIG. 12 is a rear elevational view thereof;

FIG. 13 is an enlarged sectional view thereof, taken substantially along the line 13—13 of FIG. 9; and,

FIG. 14 is a top front and right end enlarged fragmentary perspective view thereof, showing the portion of the design indicated in FIG. 9.

The sectional door panel is shown as discontinuous in the views to indicate indeterminate length.

1 Claim, 4 Drawing Sheets



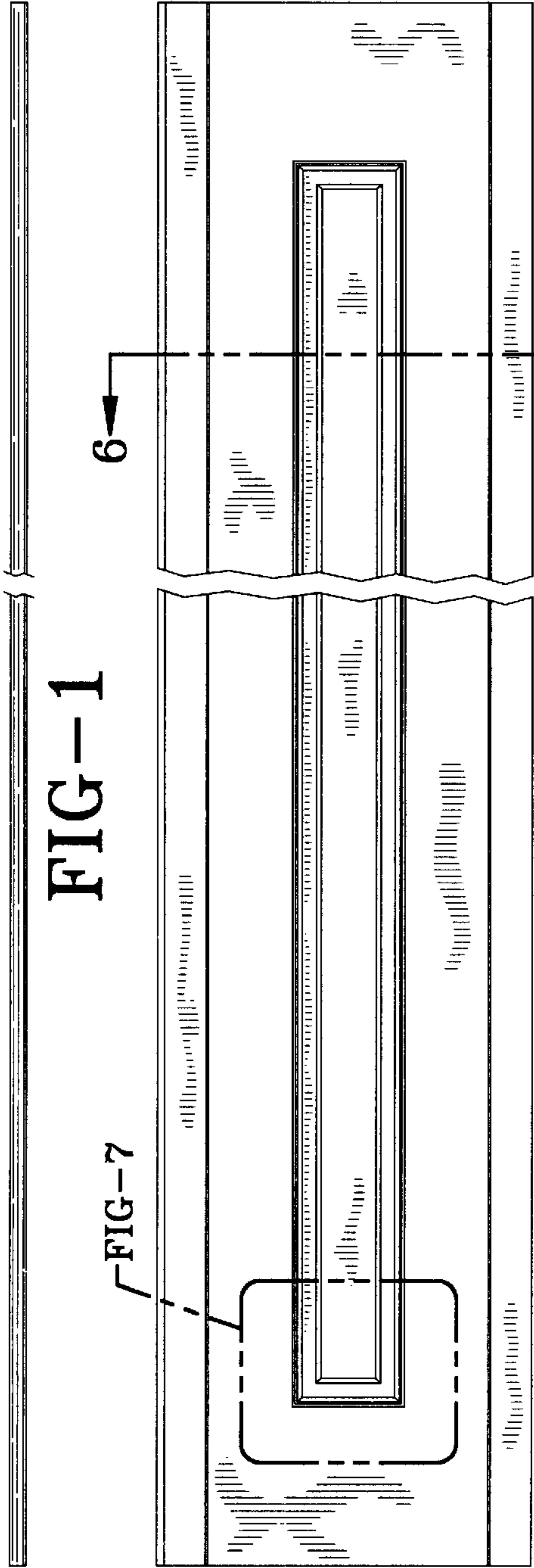
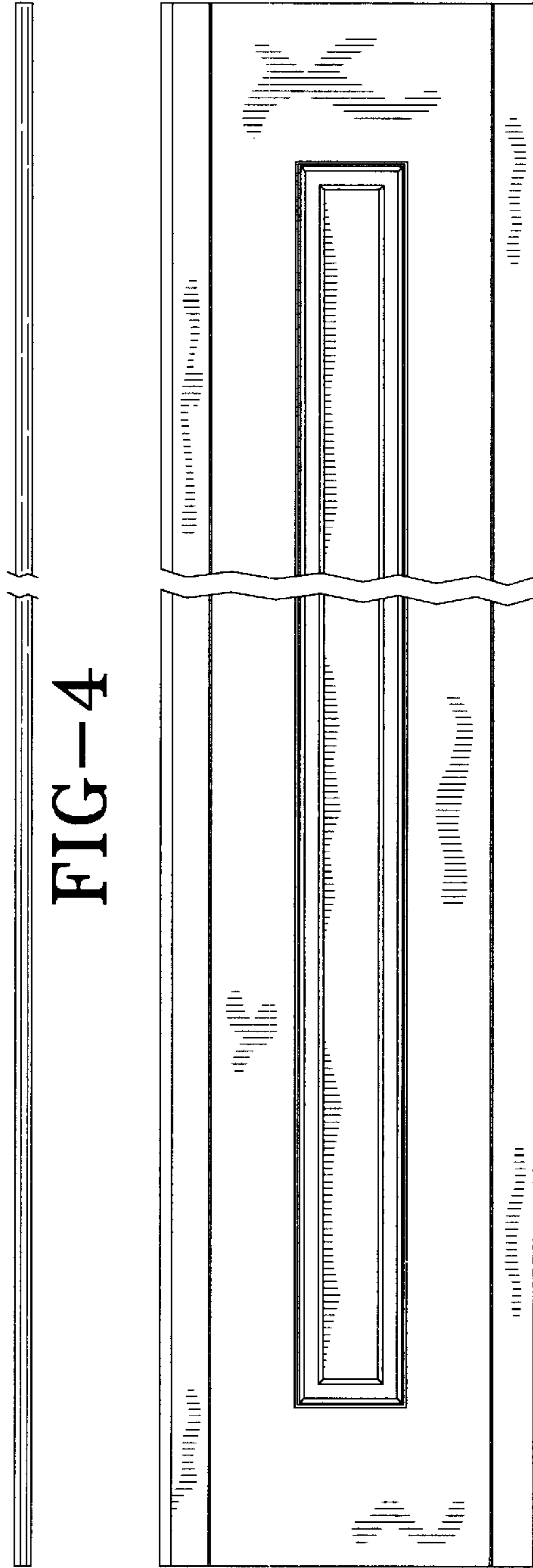


FIG-3



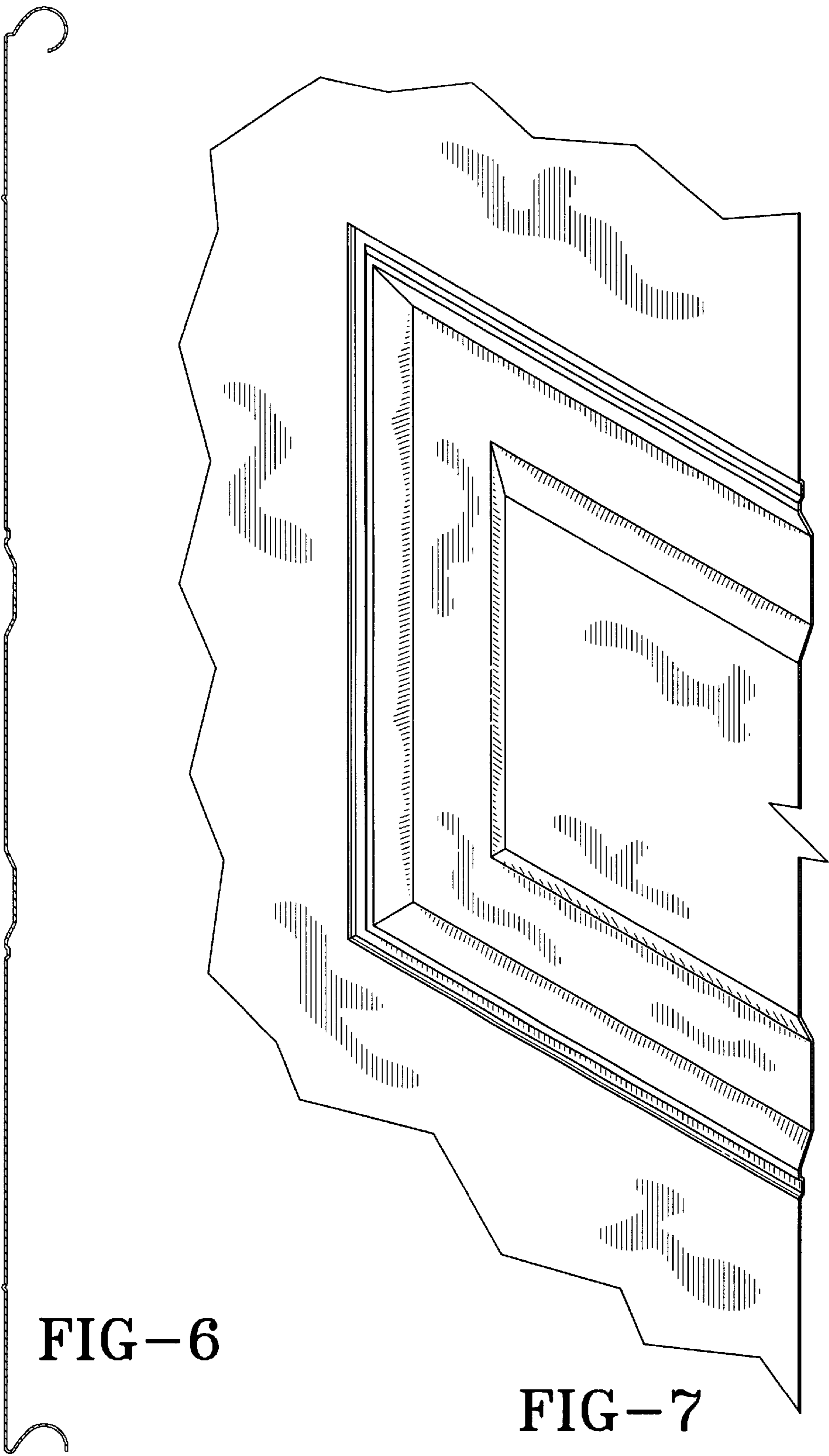


FIG-6

FIG-7

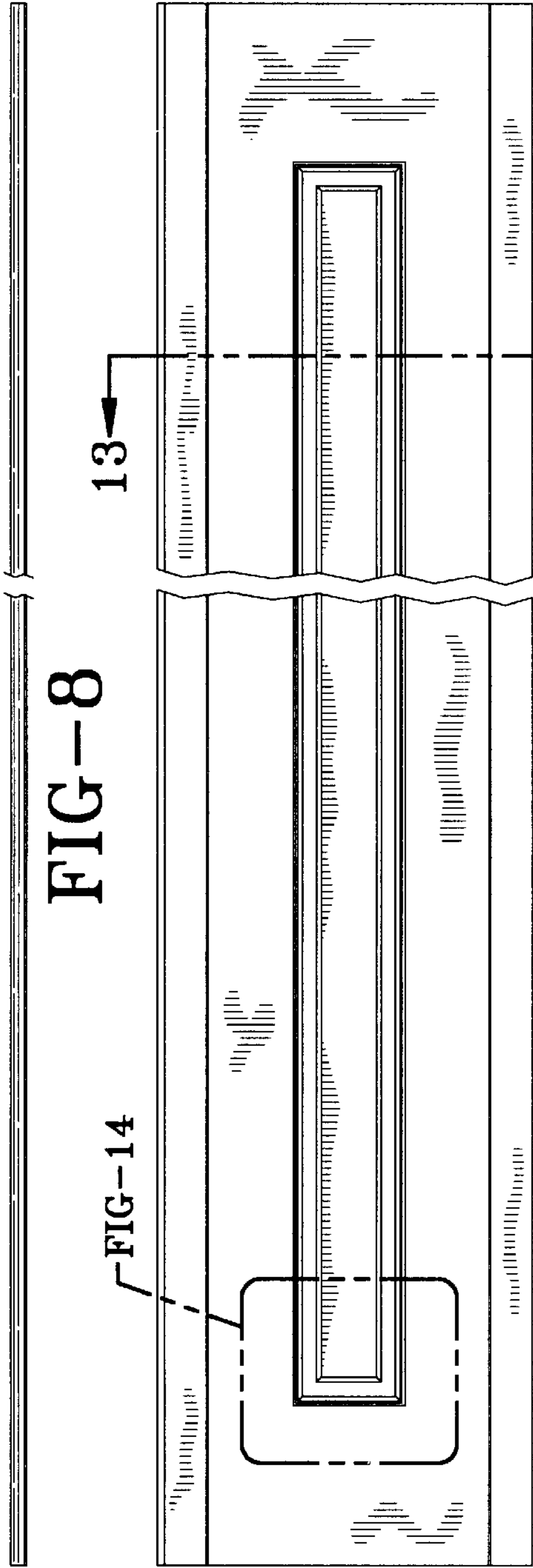


FIG-8

FIG-14

13

FIG-9

FIG-10

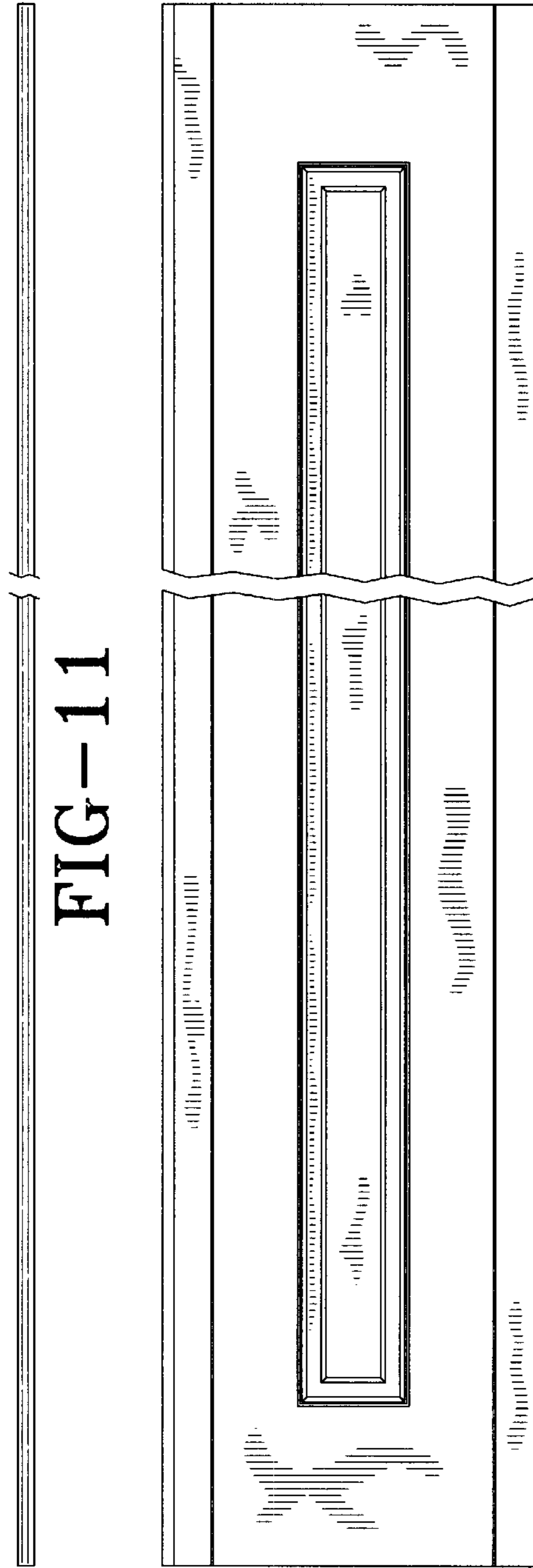


FIG-11

FIG-12

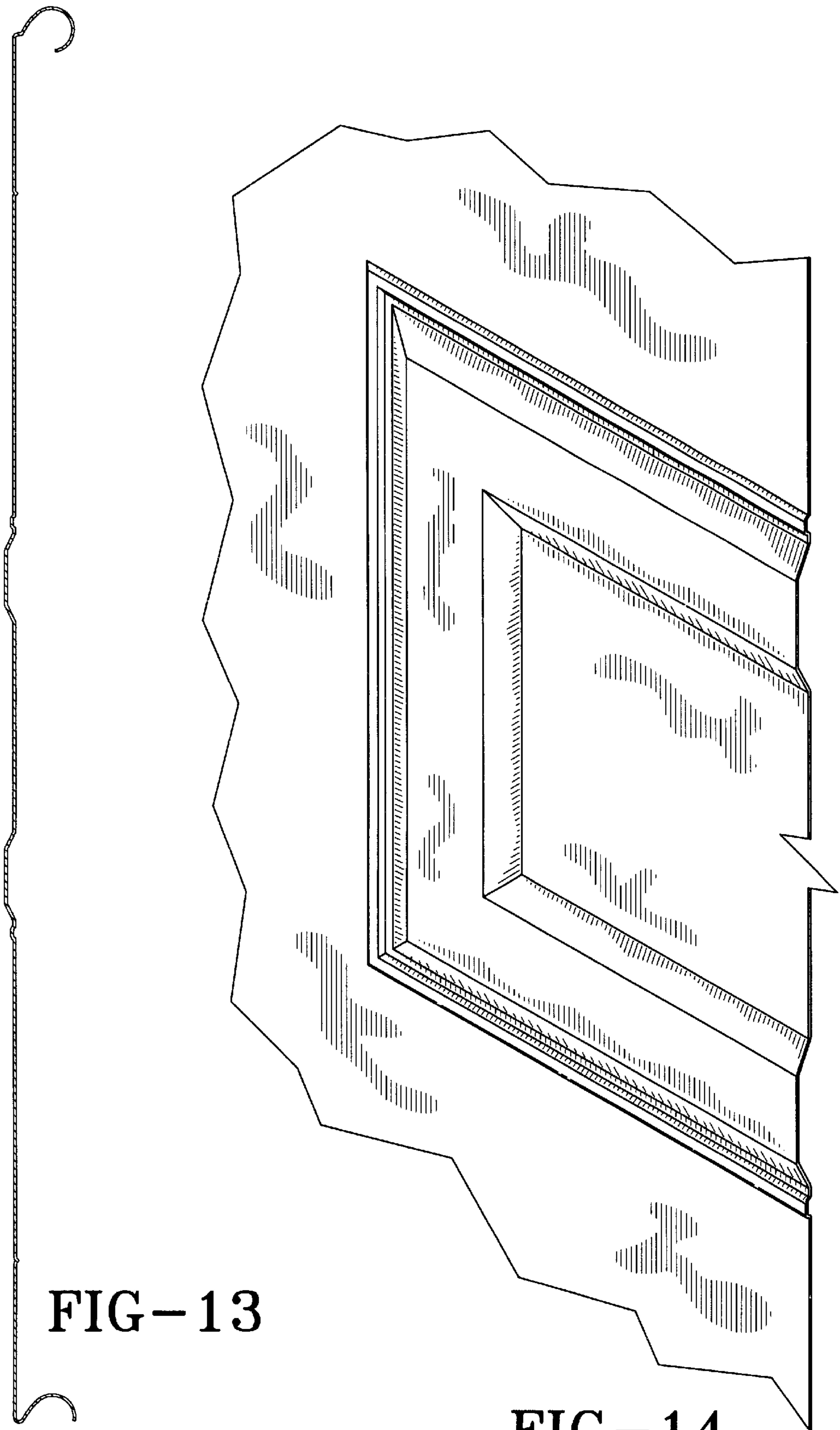


FIG-13

FIG-14