



US00D475145S

(12) **United States Design Patent**
Melvin

(10) **Patent No.:** **US D475,145 S**

(45) **Date of Patent:** **** May 27, 2003**

(54) **BARRIER POST**

(76) **Inventor:** **Thomas E. Melvin**, P.O. Box 886,
Moneta, VA (US) 24121

(**) **Term:** **14 Years**

(21) **Appl. No.:** **29/152,490**

(22) **Filed:** **Dec. 26, 2001**

(51) **LOC (7) Cl.** **25-01**

(52) **U.S. Cl.** **D25/126**

(58) **Field of Search** D25/126; 52/720.1,
52/720.2; 404/6; 256/1, 19, 13.1

(56) **References Cited**

U.S. PATENT DOCUMENTS

- 4,557,466 A * 12/1985 Zucker 256/13.1
- D324,920 S * 3/1992 Miller et al. D25/126
- 6,036,399 A * 3/2000 Schalk 404/6

* cited by examiner

Primary Examiner—Doris Clark

(57) **CLAIM**

The ornamental design for a barrier post, as shown and described.

DESCRIPTION

FIG. 1 is a front elevational view of barrier post, as set forth in the following specification. The barrier is shown in broken lines for illustration purpose only and forms no part of the claimed design.

FIG. 2 is a top plan view thereof;

FIG. 3 is a bottom view thereof;

FIG. 4 is a right side elevational view thereof;

FIG. 5 is front left side perspective view of present invention with barrier shown in broken lines for illustration purpose only and forms no part of the claimed design.

FIG. 6 is a second embodiment of the right side elevational view thereof;

FIG. 7 is a second embodiment of the front left side perspective view with barrier shown in broken lines for illustration purpose only and forms no part of the claimed design.

FIG. 8 is a cross sectional of present invention taken along 8—8 of FIG. 4; and,

FIG. 9 is a cross sectional of present invention taken along 9—9 of FIG. 4.

1 Claim, 3 Drawing Sheets

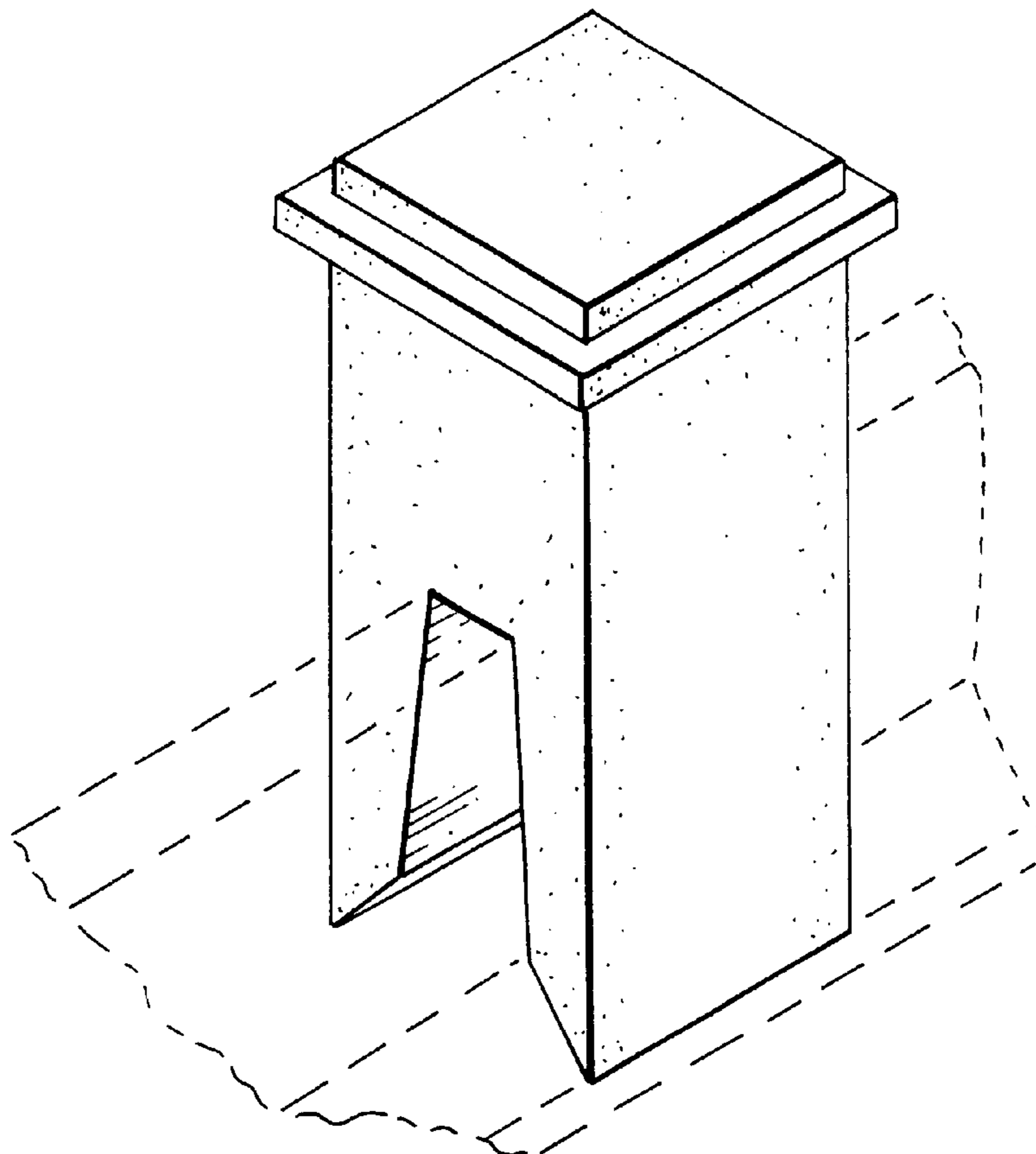


Fig. 2

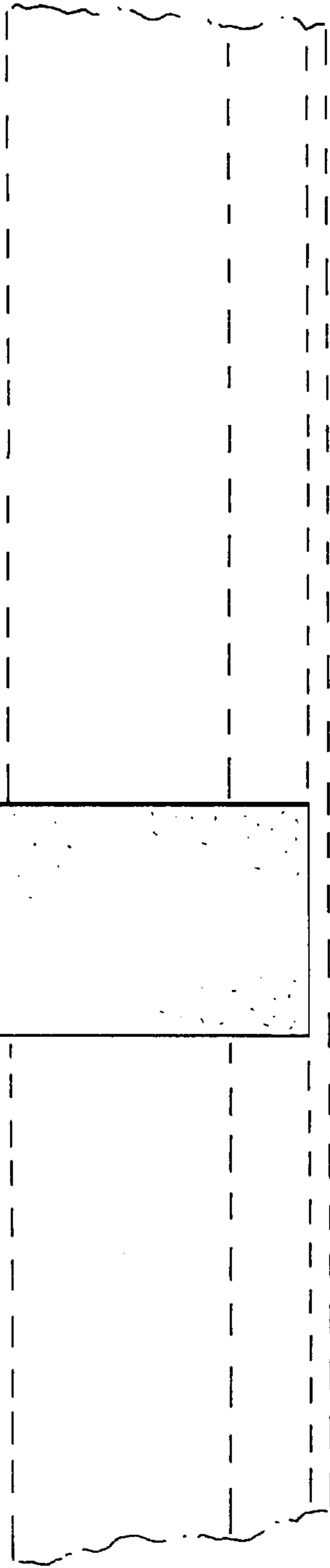
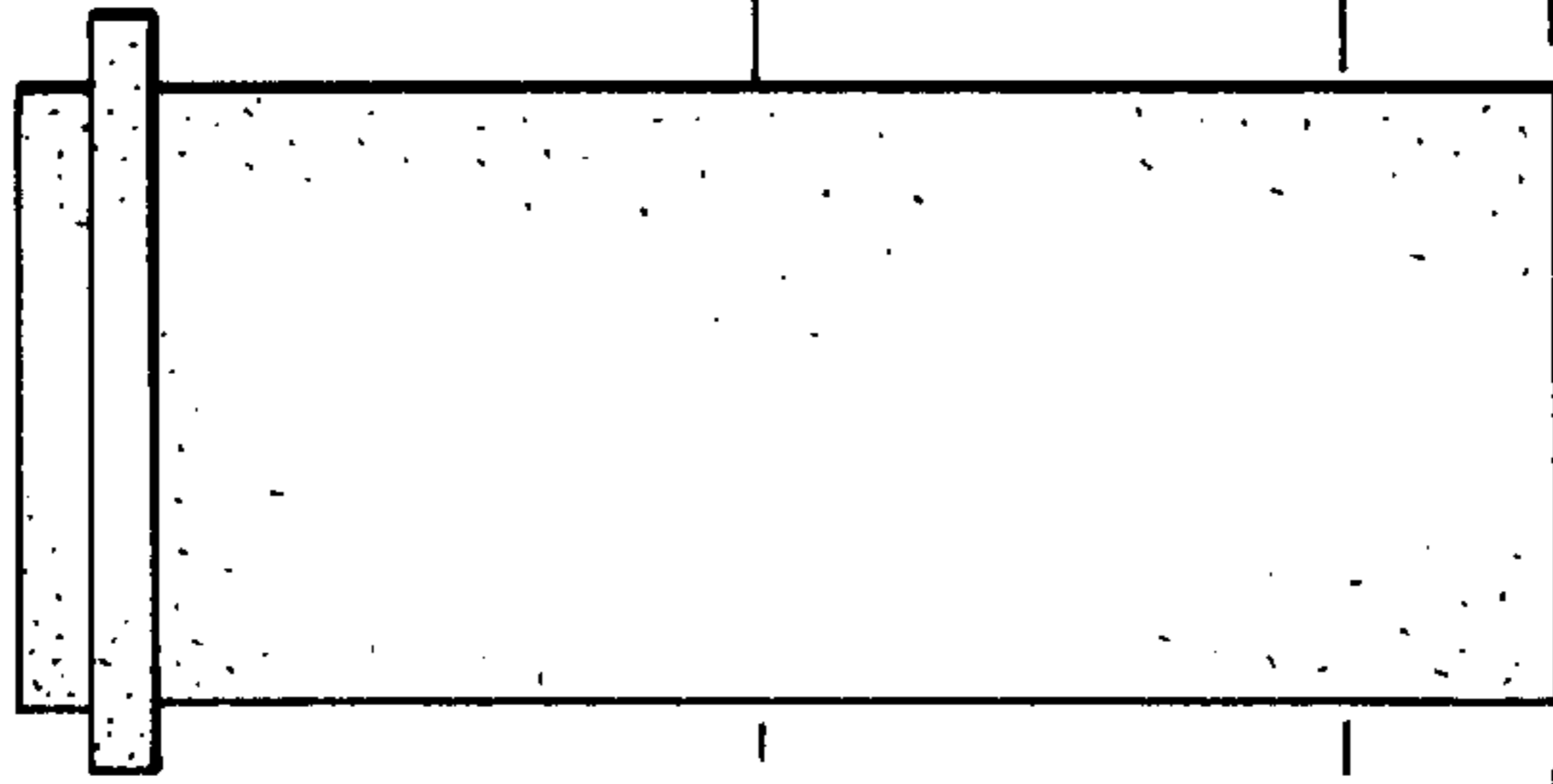
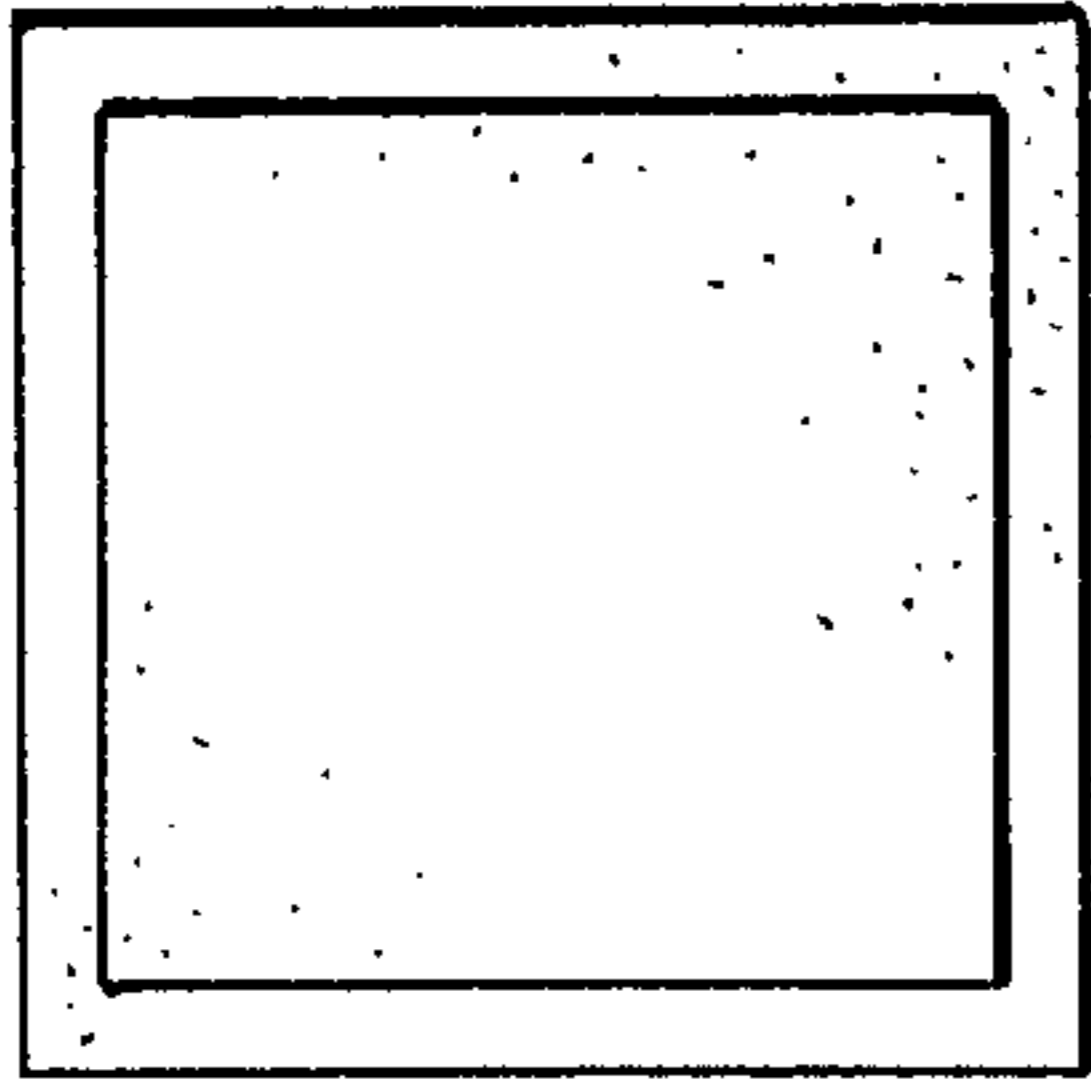


Fig. 3

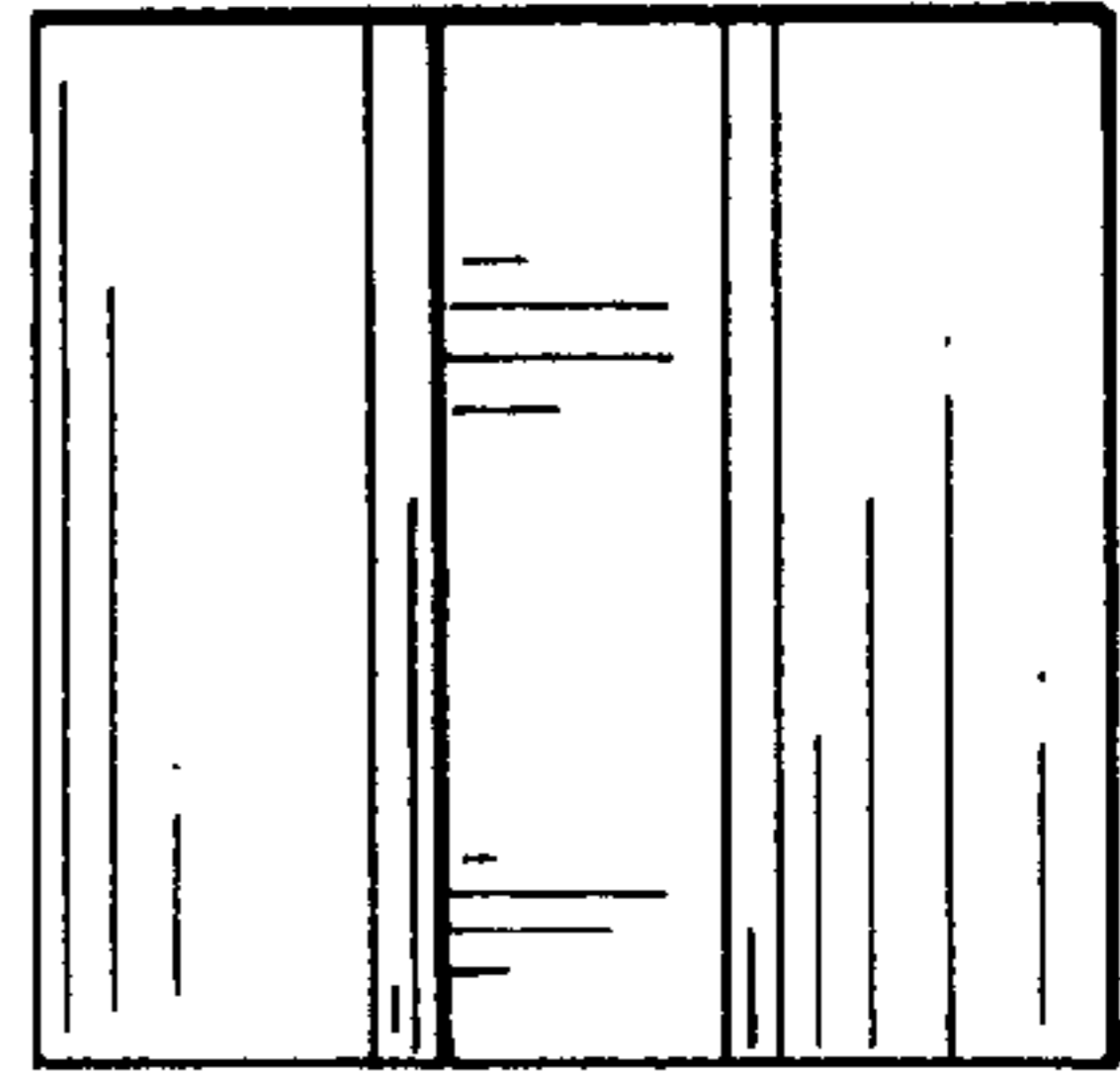


Fig. 1

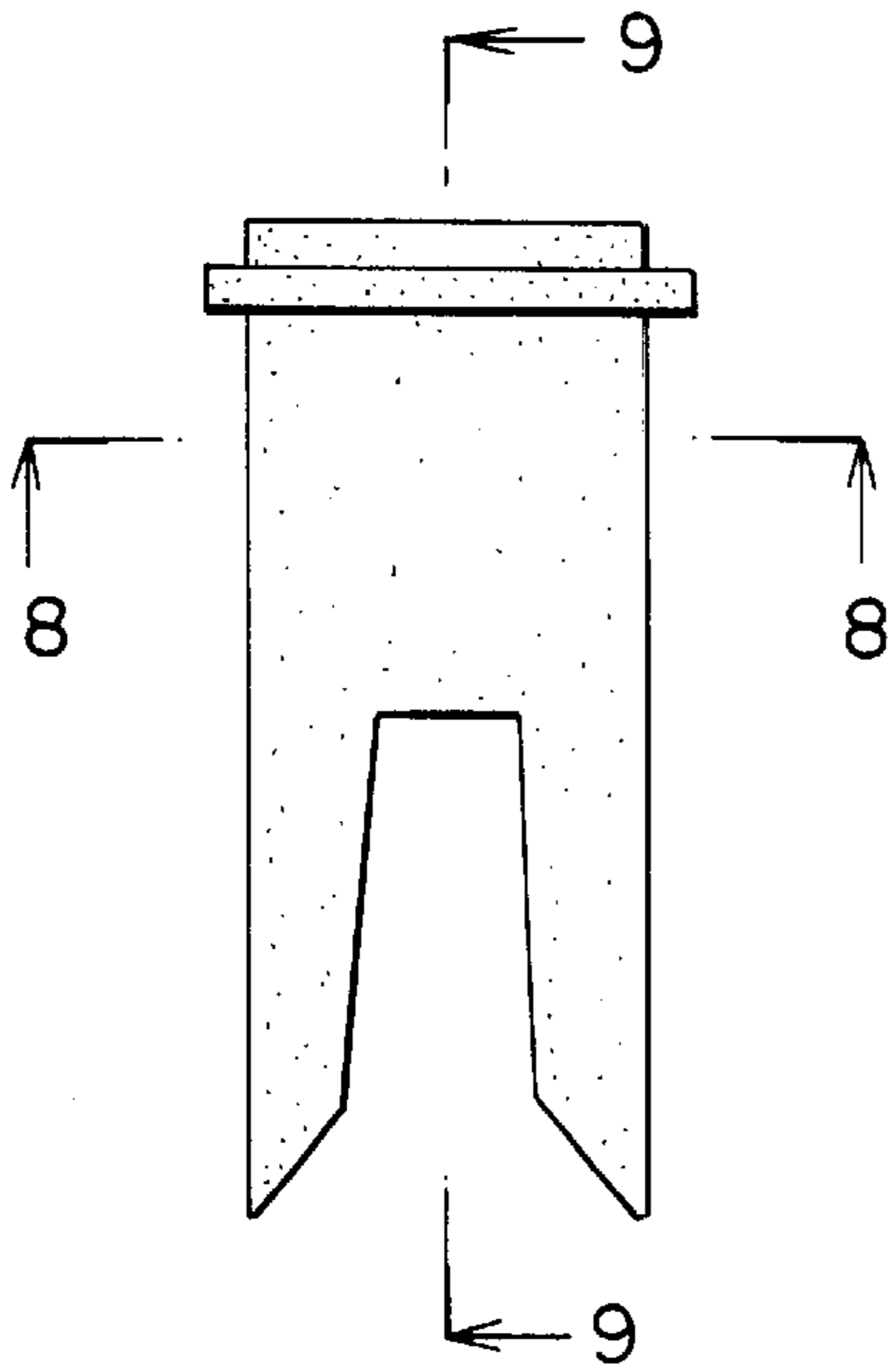


Fig. 4

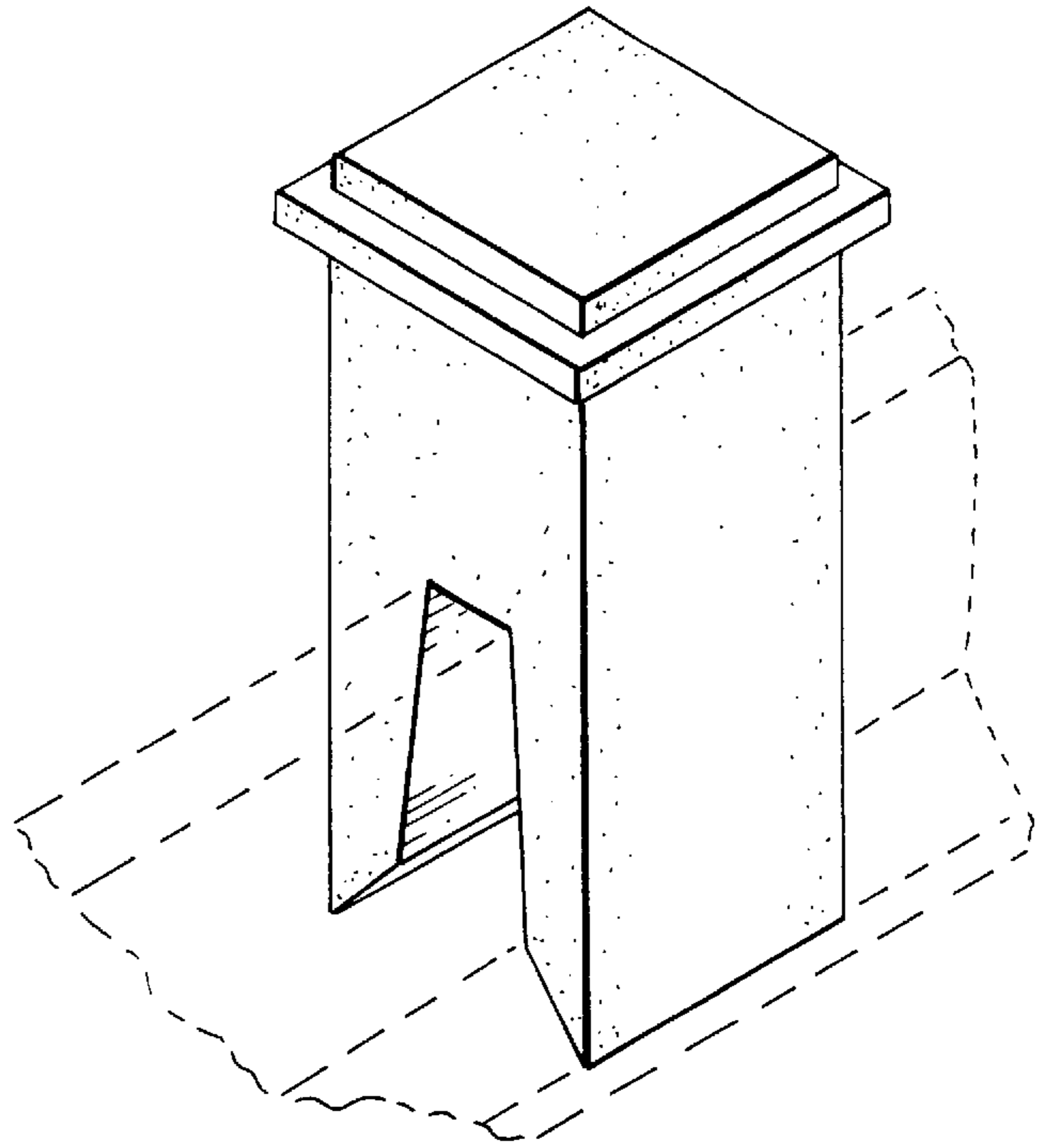


Fig. 5

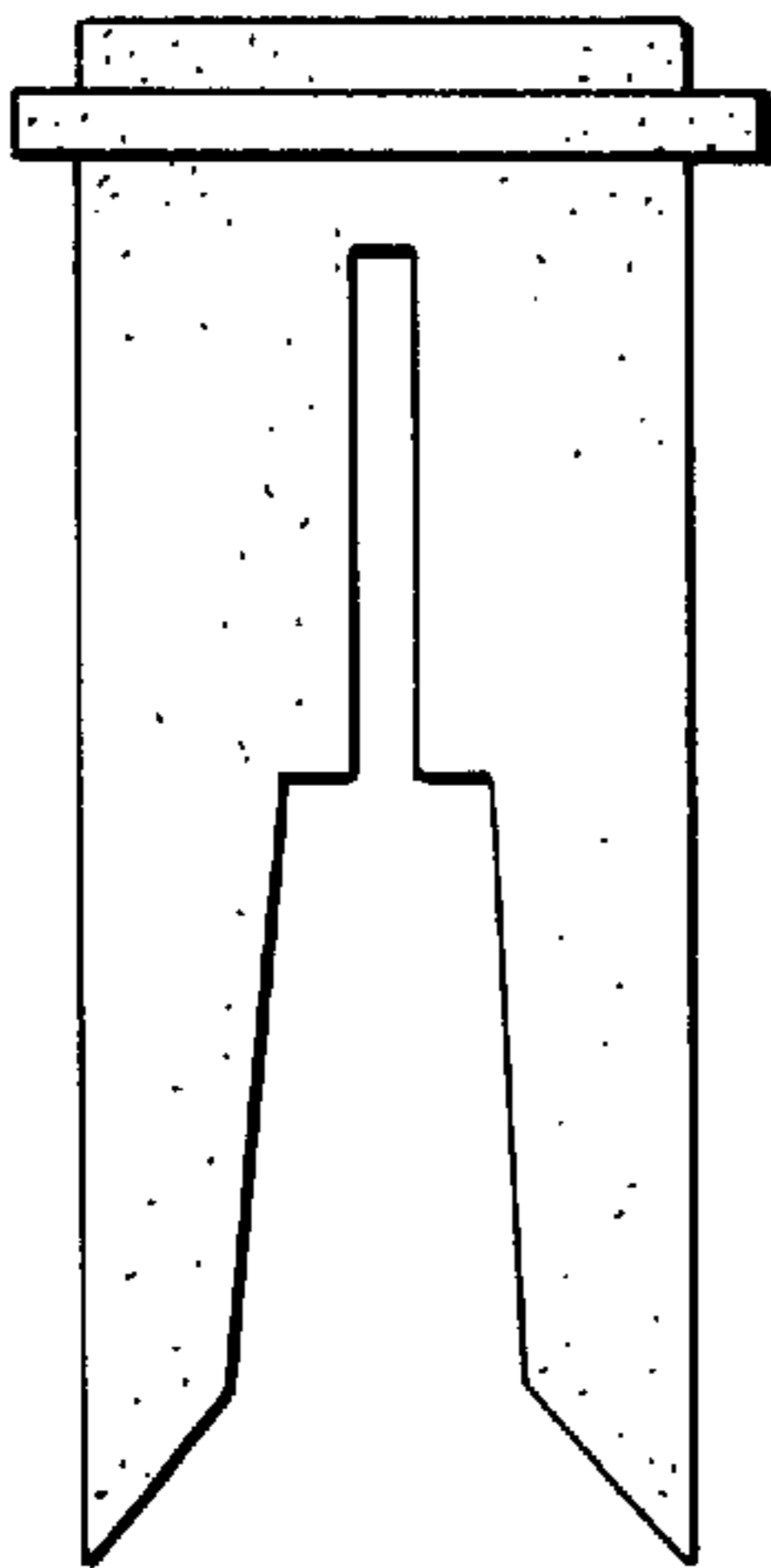


Fig. 6

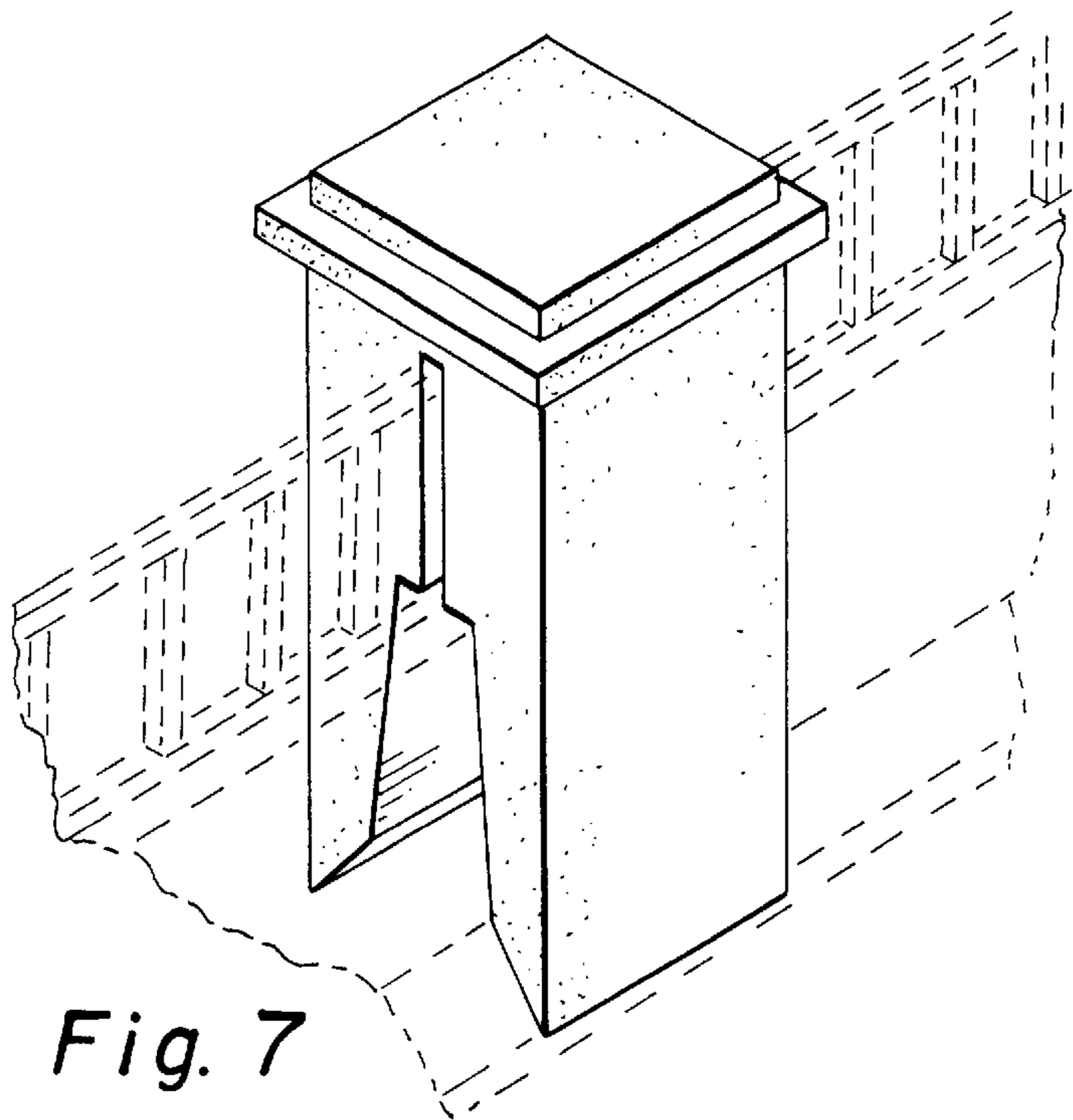


Fig. 7

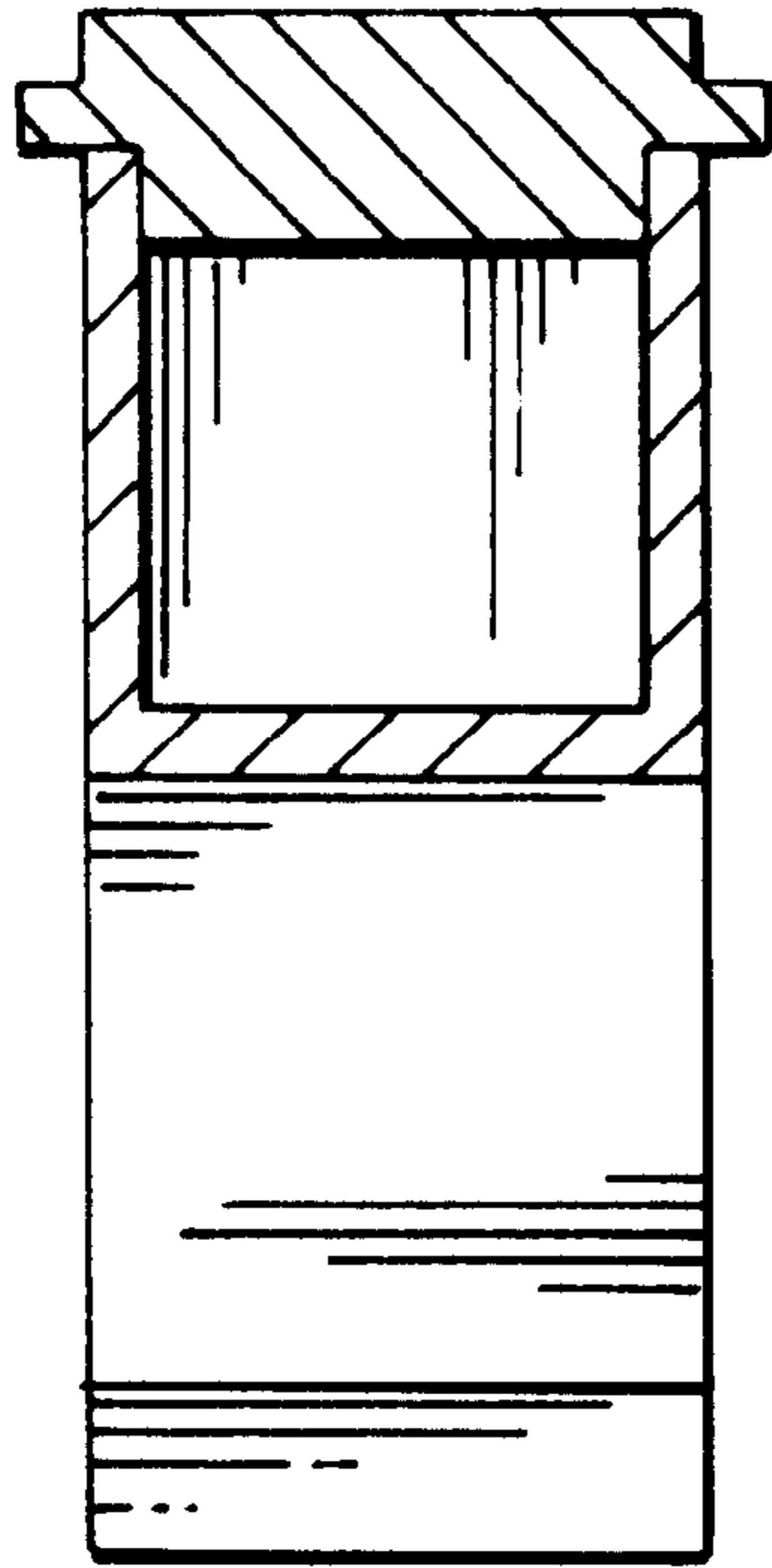


Fig. 9

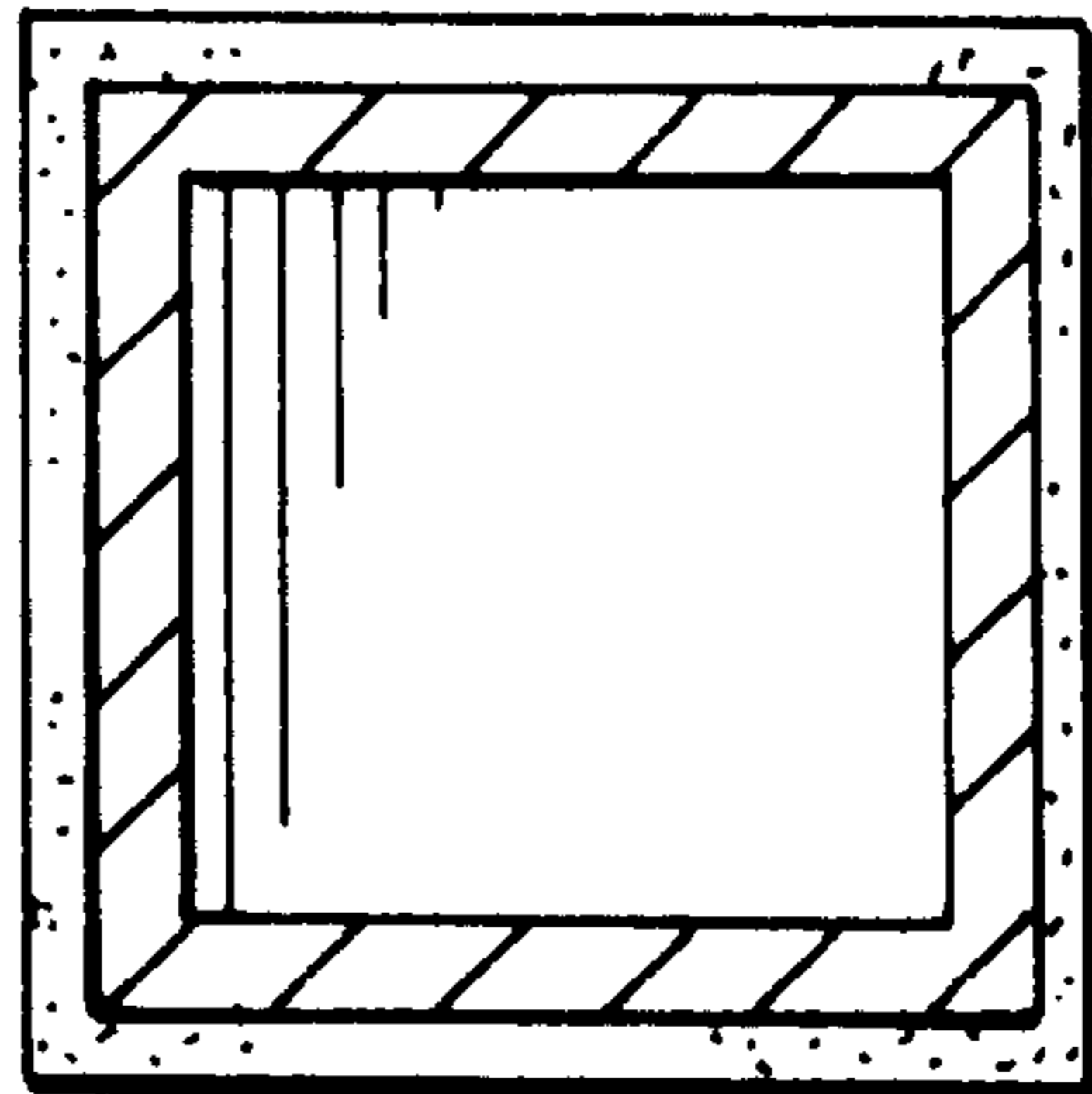


Fig. 8