



US00D475144S

(12) **United States Design Patent**
Thornton et al.

(10) **Patent No.:** **US D475,144 S**
(45) **Date of Patent:** **** May 27, 2003**

(54) **SLABBED LOG**

(76) Inventors: **Patrick Thornton**, 33 Bridge Avenue,
Oak Flats, New South Wales 2529
(AU); **Kevin James Walsh**, 109
Daltons Road, Jamberoo, New South
Wales 2533 (AU)

(**) Term: **14 Years**

(21) Appl. No.: **29/163,173**

(22) Filed: **Jul. 1, 2002**

(51) **LOC (7) Cl.** **25-01**

(52) **U.S. Cl.** **D25/119**

(58) **Field of Search** 52/233; D8/1;
D25/138, 38, 164, 119

(56) **References Cited**

U.S. PATENT DOCUMENTS

D379,244 S * 5/1997 Wiebe D25/119

* cited by examiner

Primary Examiner—Doris Clark

(74) *Attorney, Agent, or Firm*—Barnes & Thornburg

(57) **CLAIM**

The ornamental design for “slabbed log”, as shown and described.

DESCRIPTION

FIG. 1 is a perspective view of a first embodiment of the design.

FIG. 2 is a plan view of a first embodiment of the design.

FIG. 3 is a side view of a first embodiment of the design.

FIG. 4 is an end view of a first embodiment of the design.

FIG. 5 is a perspective view of a second embodiment of the design.

FIG. 6 is a plan view of a second embodiment of the design.

FIG. 7 is an end view of a second embodiment of the design.

FIG. 8 is a side view of a second embodiment of the design.

FIG. 9 is a perspective view of a third embodiment of the design.

FIG. 10 is a plan view of a third embodiment of the design.

FIG. 11 is a side view of a third embodiment of the design.

FIG. 12 is an end view of a third embodiment of the design.

FIG. 13 is a perspective view of a fourth embodiment of the design.

FIG. 14 is a plan view of a fourth embodiment of the design.

FIG. 15 is an end view of a fourth embodiment of the design.

FIG. 16 is a side view of a fourth embodiment of the design.

FIG. 17 is a perspective view of a fifth embodiment of the design.

FIG. 18 is a plan view of a fifth embodiment of the design.

FIG. 19 is a side view of a fifth embodiment of the design.

FIG. 20 is an end view of a fifth embodiment of the design.

FIG. 21 is a perspective view of a sixth embodiment of the design.

FIG. 22 is a plan view of a sixth embodiment of the design.

FIG. 23 is a side view of a sixth embodiment of the design.

FIG. 24 is an end view of a sixth embodiment of the design.

FIG. 25 is a perspective view of a seventh embodiment of the design.

FIG. 26 is a plan view of a seventh embodiment of the design.

FIG. 27 is a side view of a seventh embodiment of the design.

FIG. 28 is an end view of a seventh embodiment of the design.

FIG. 29 is a perspective view of a eighth embodiment of the design.

FIG. 30 is a plan view of a eighth embodiment of the design.

FIG. 31 is a side view of a eighth embodiment of the design.

FIG. 32 is an end view of a eighth embodiment of the design.

FIG. 33 is a perspective view of a ninth embodiment of the design.

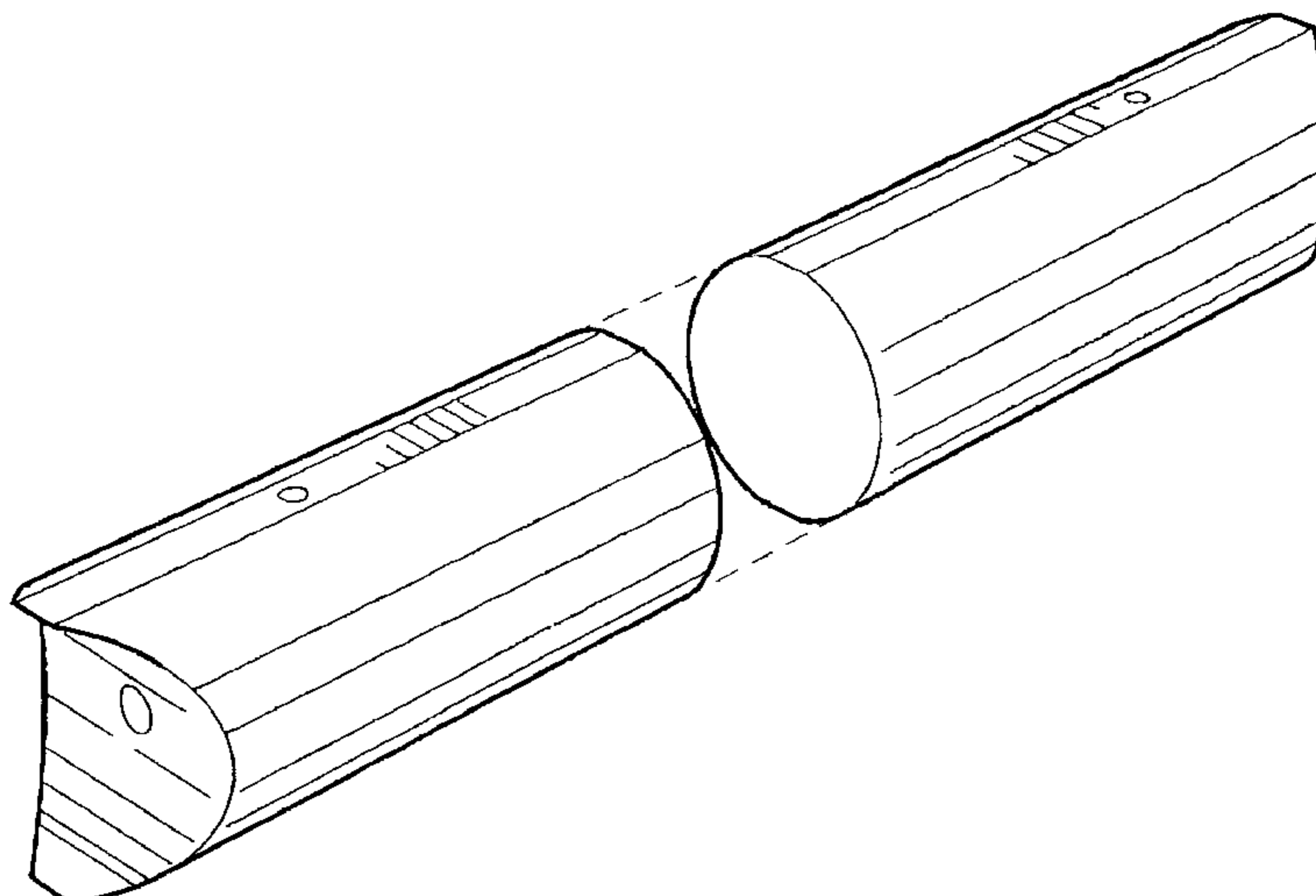
FIG. 34 is a plan view of a ninth embodiment of the design.

FIG. 35 is a side view of a ninth embodiment of the design; and,

FIG. 36 is an end view of a ninth embodiment of the design.

The slabbed log has been broken in the center to indicate indeterminate length.

1 Claim, 18 Drawing Sheets



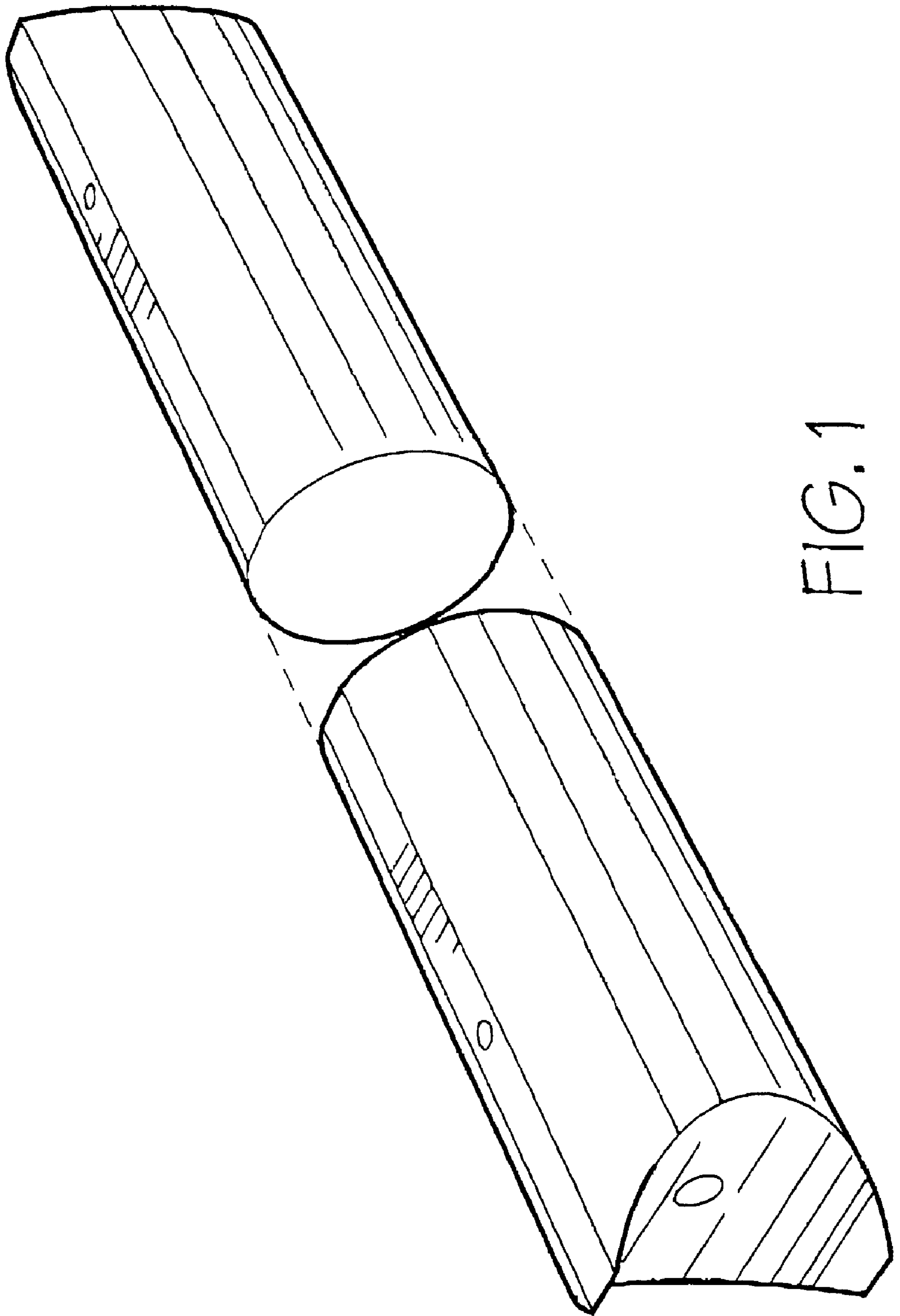


FIG. 1

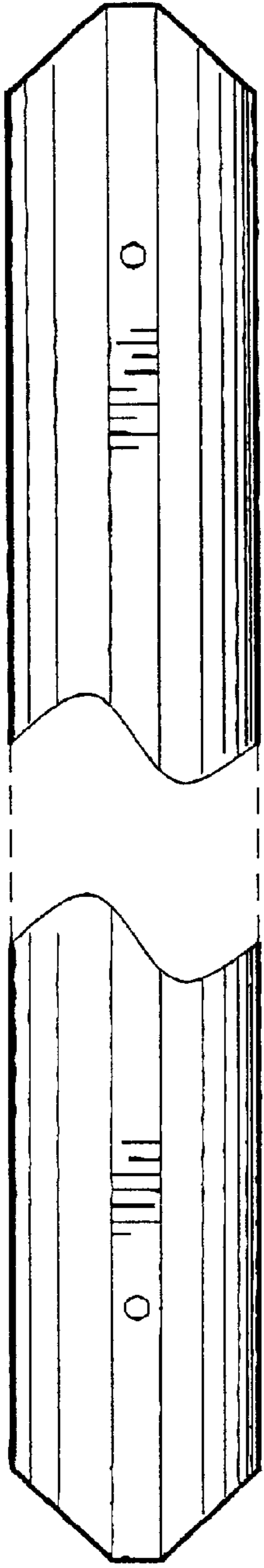


FIG. 2

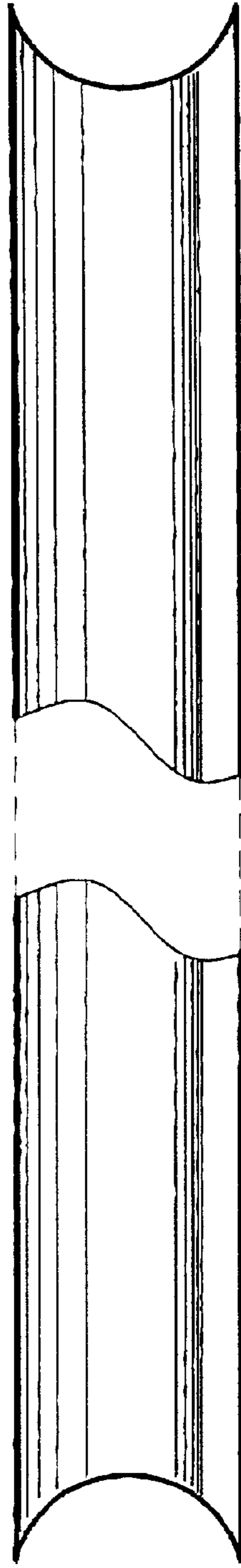


FIG. 3

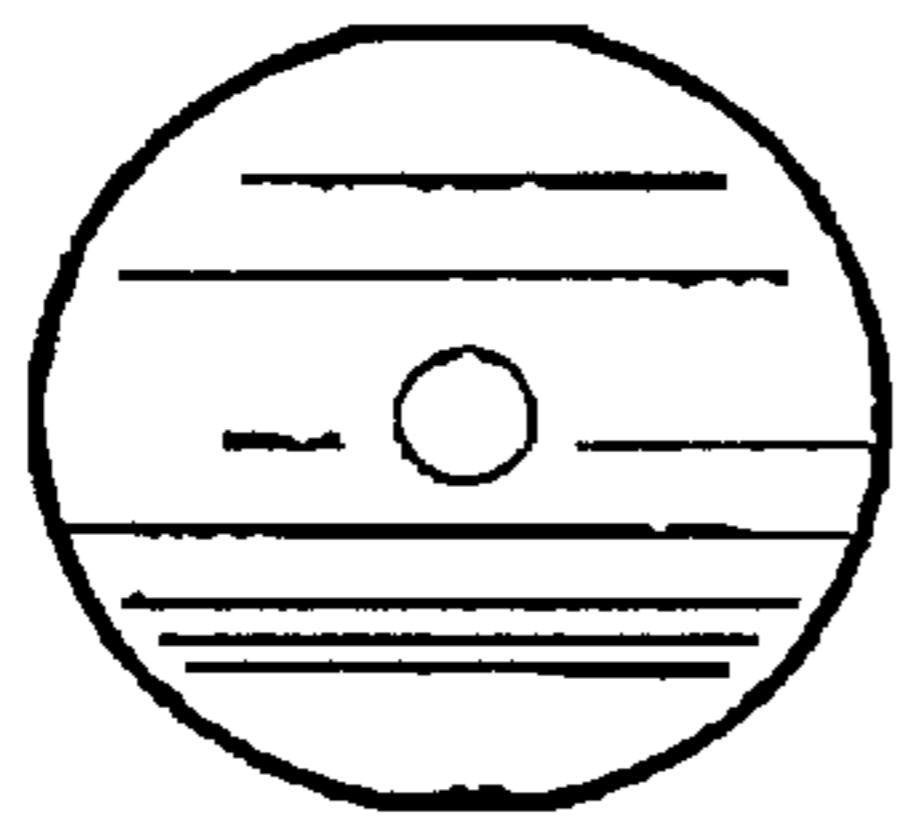


FIG. 4

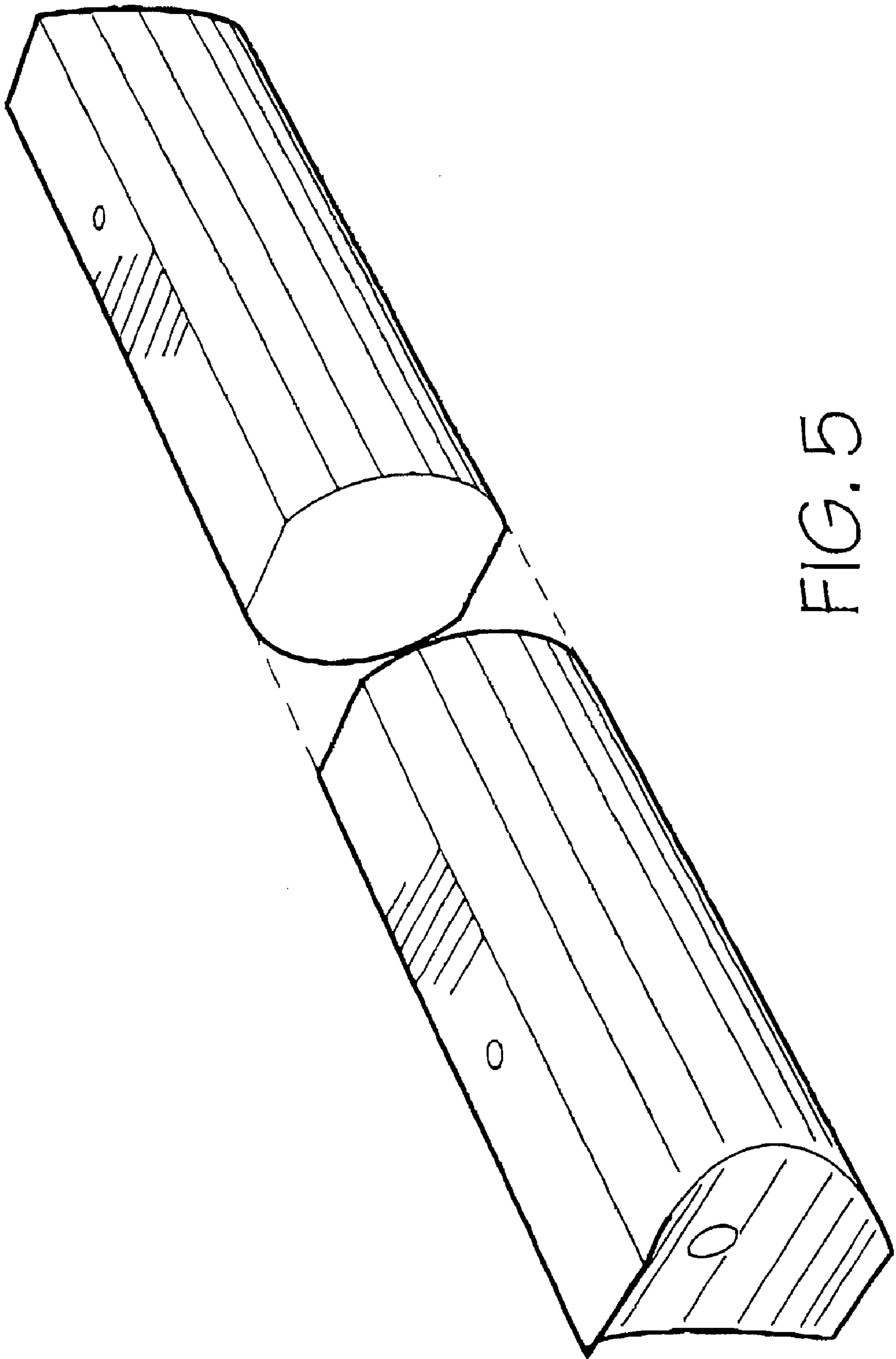


FIG. 5

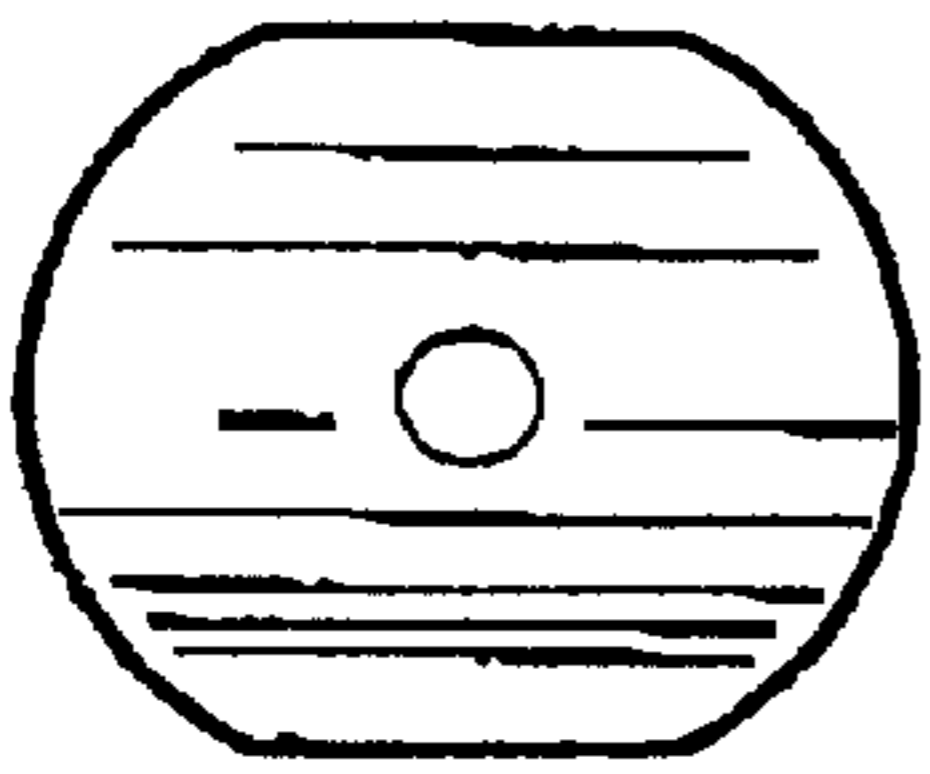


FIG. 7

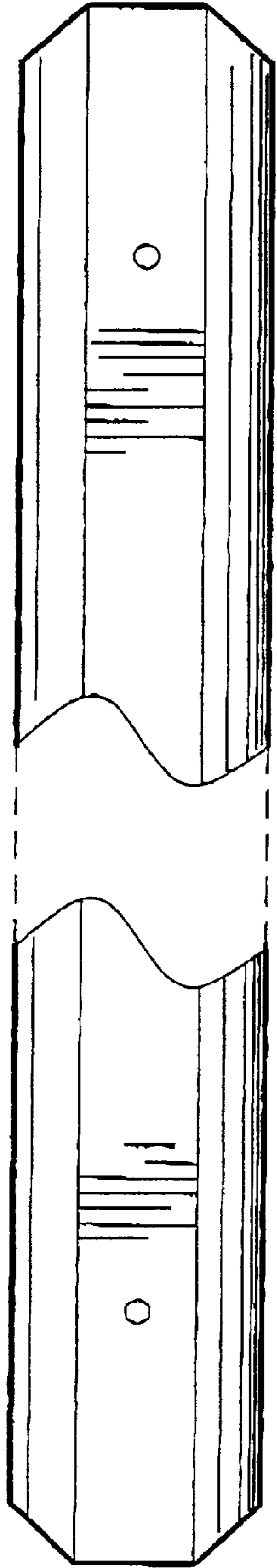


FIG. 6

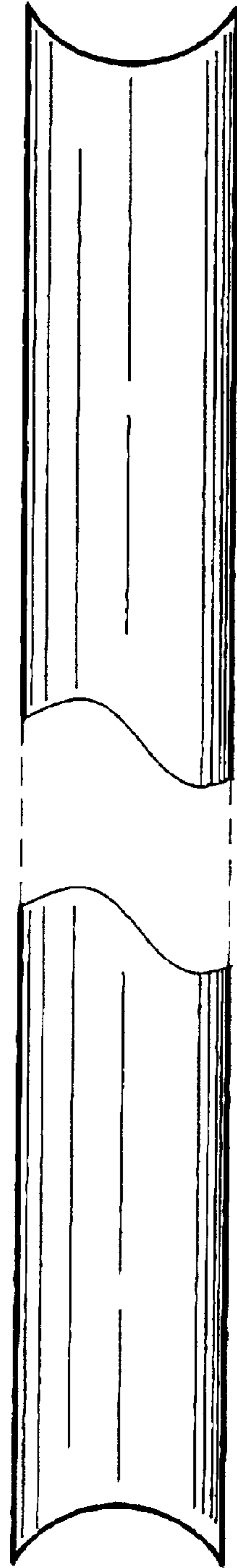


FIG. 8

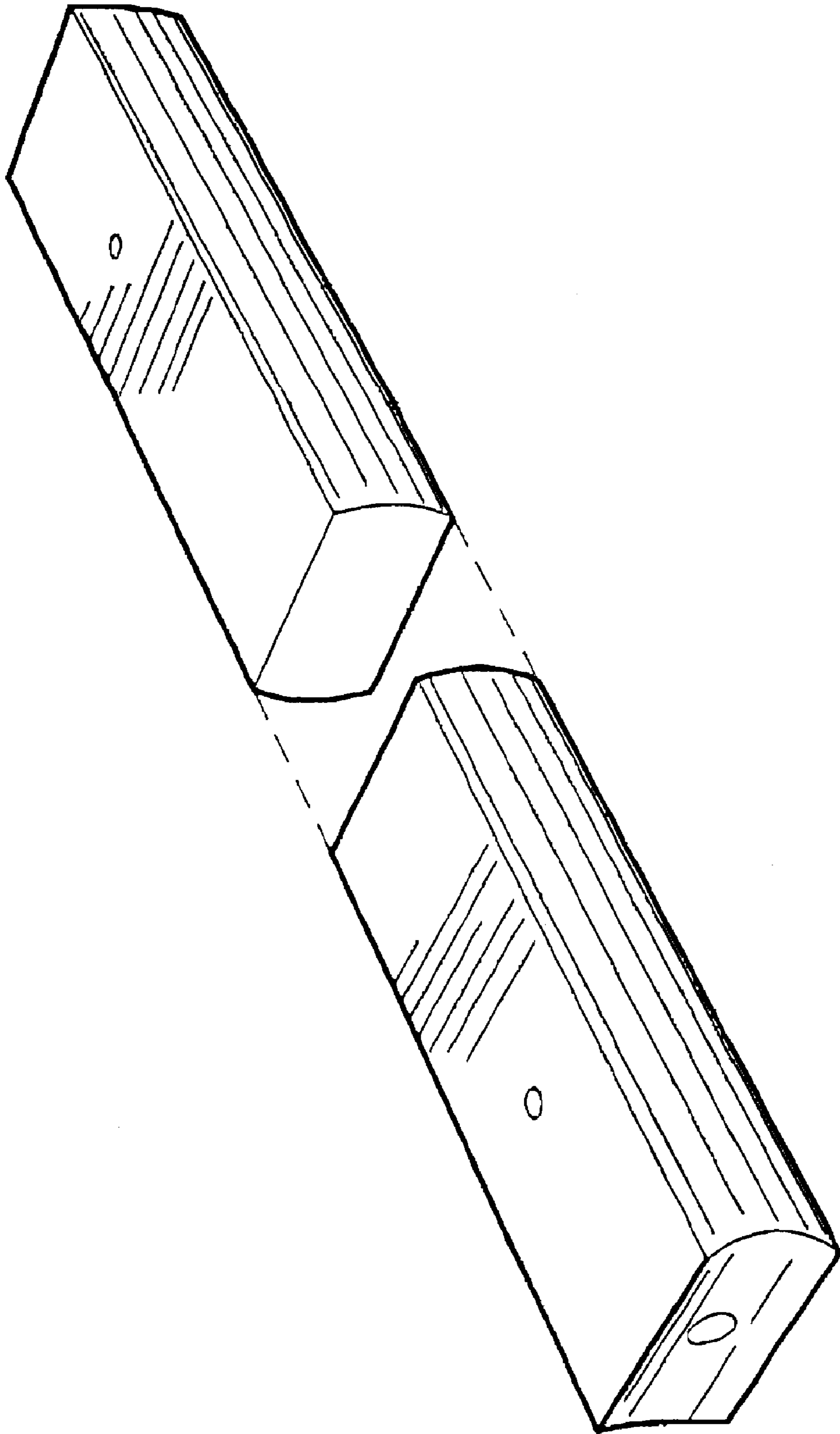


FIG. 9

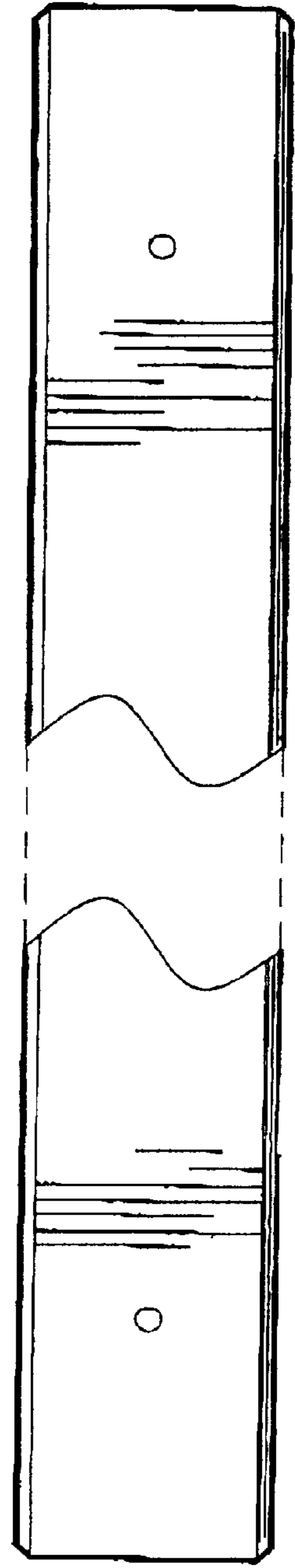


FIG. 10



FIG. 11



FIG. 12

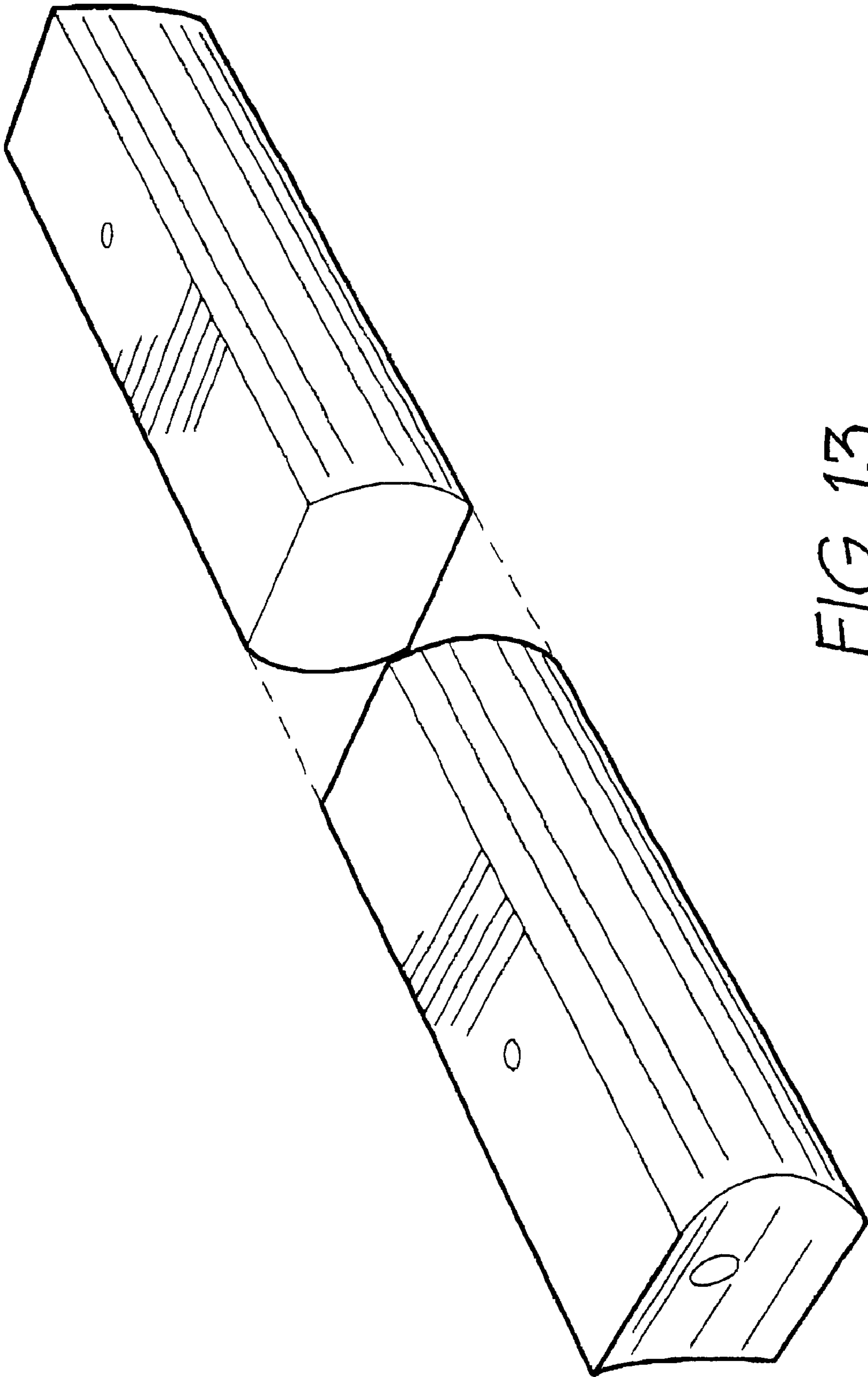


FIG. 13

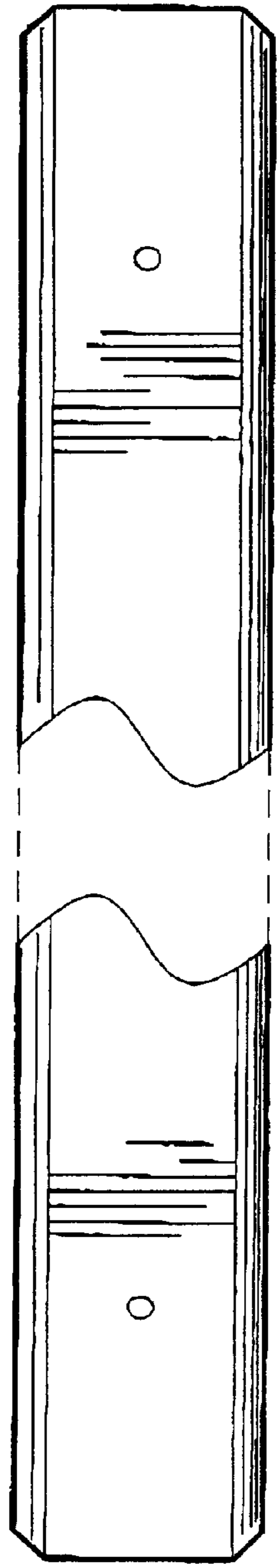


FIG. 14

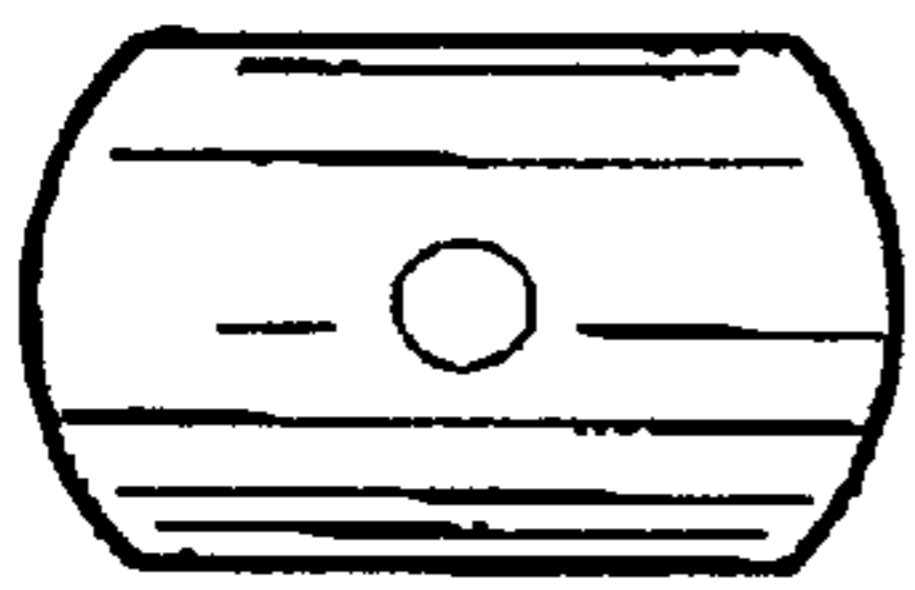


FIG. 15

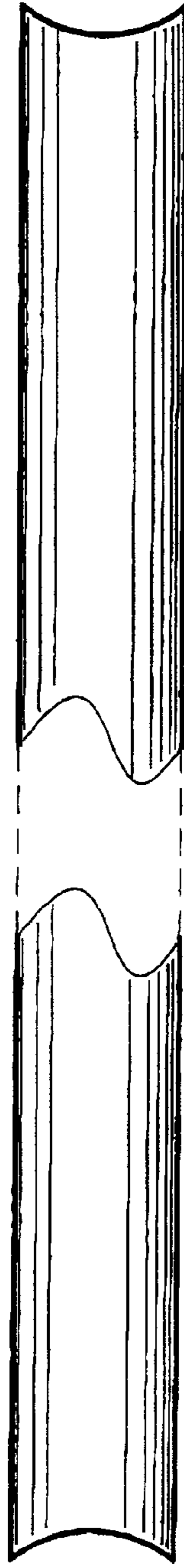


FIG. 16

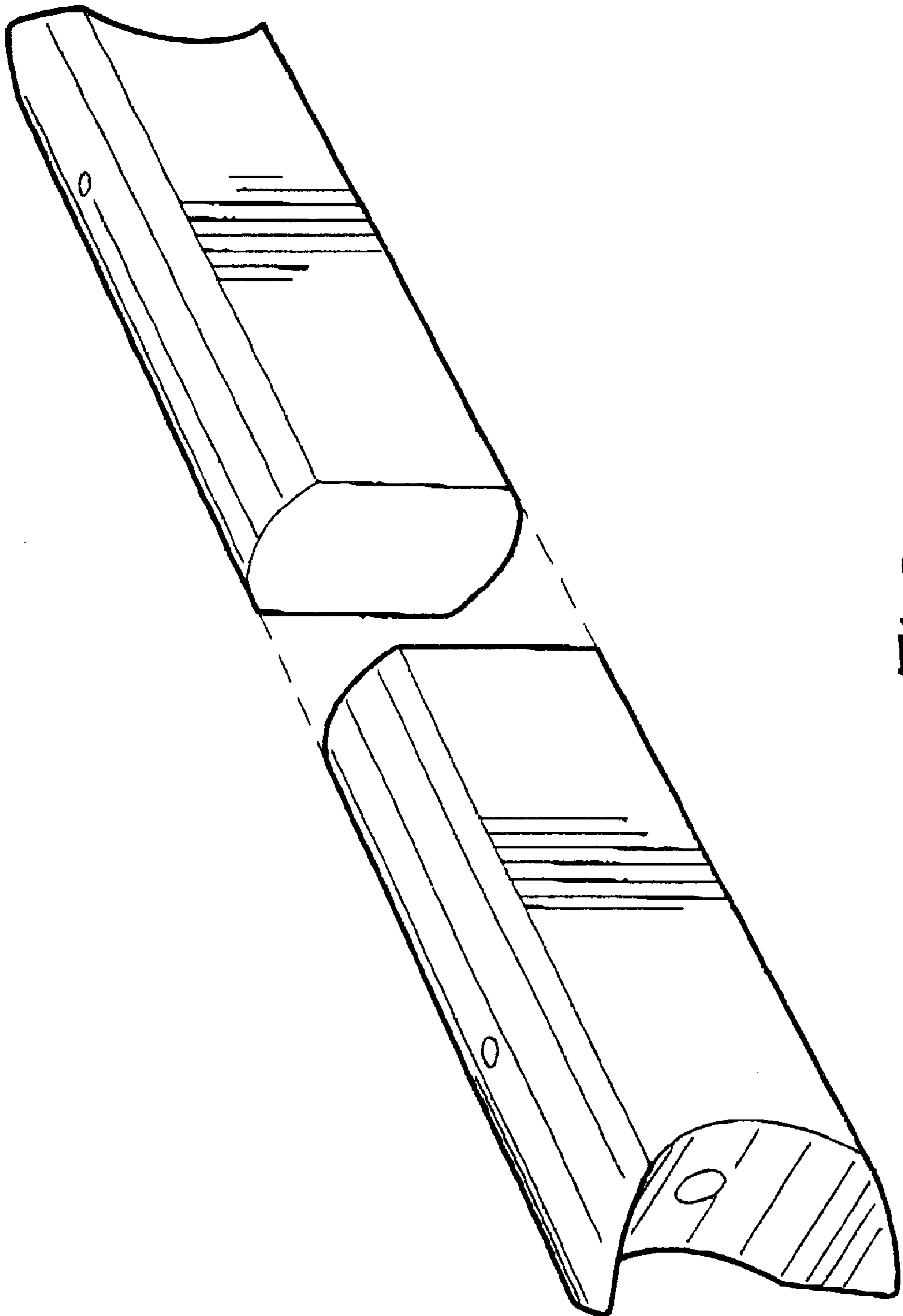


FIG. 17

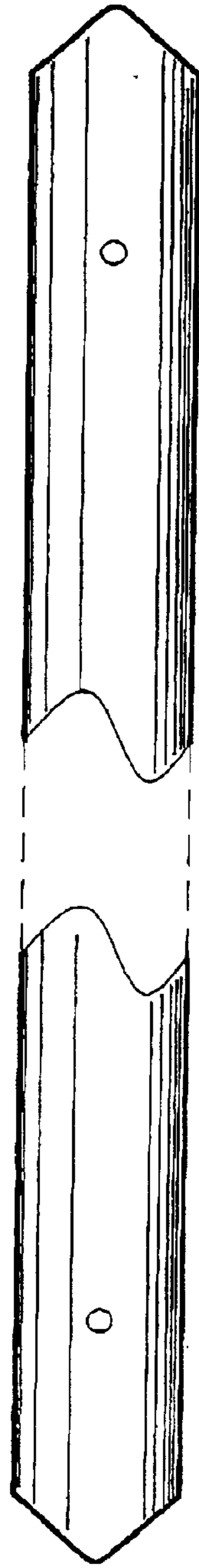


FIG. 18

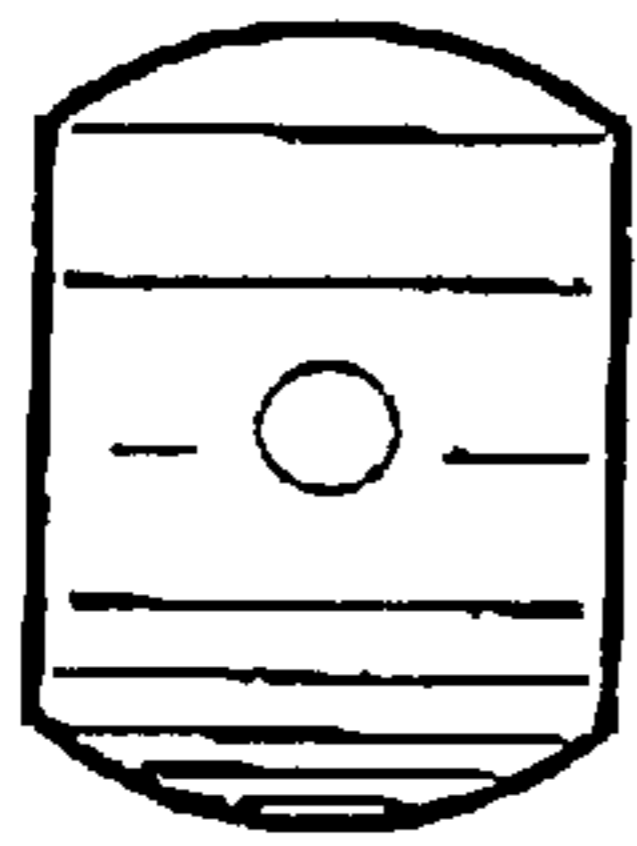


FIG. 20

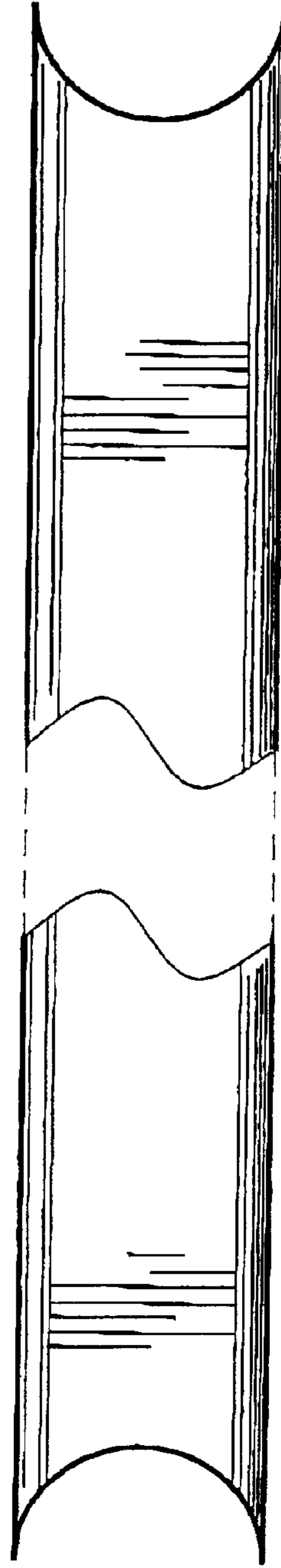


FIG. 19

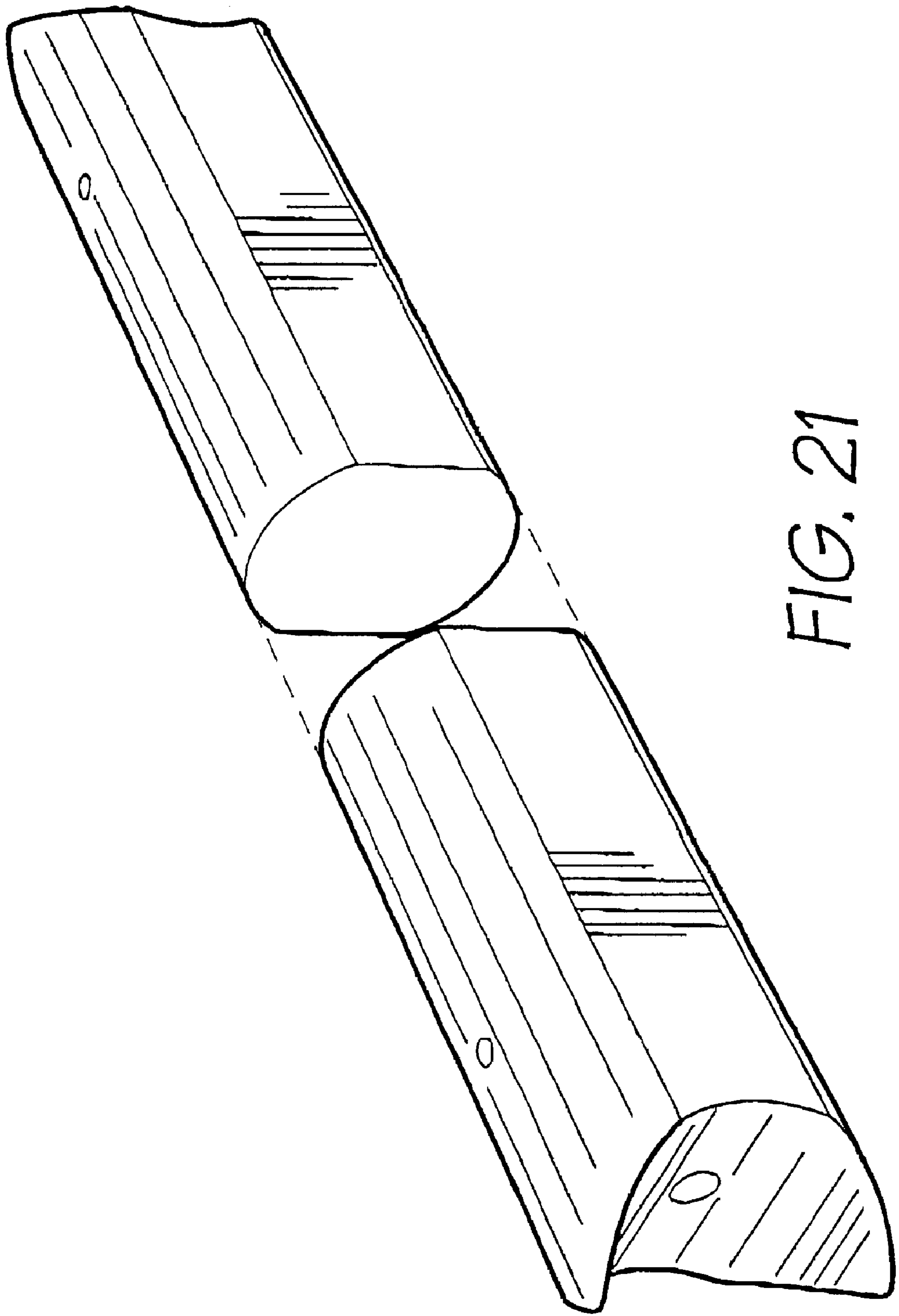


FIG. 21

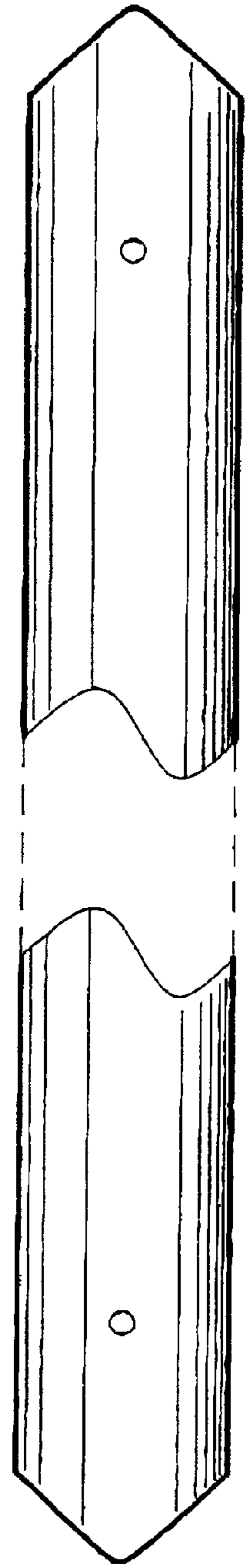


FIG. 22

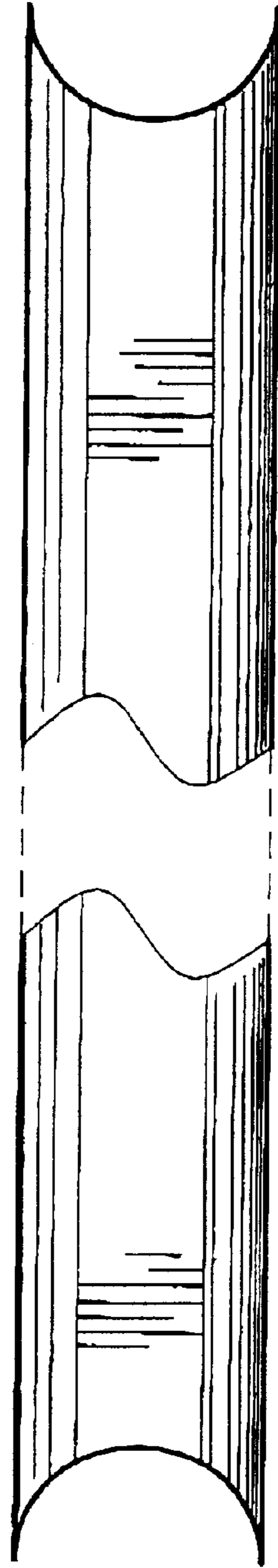


FIG. 23

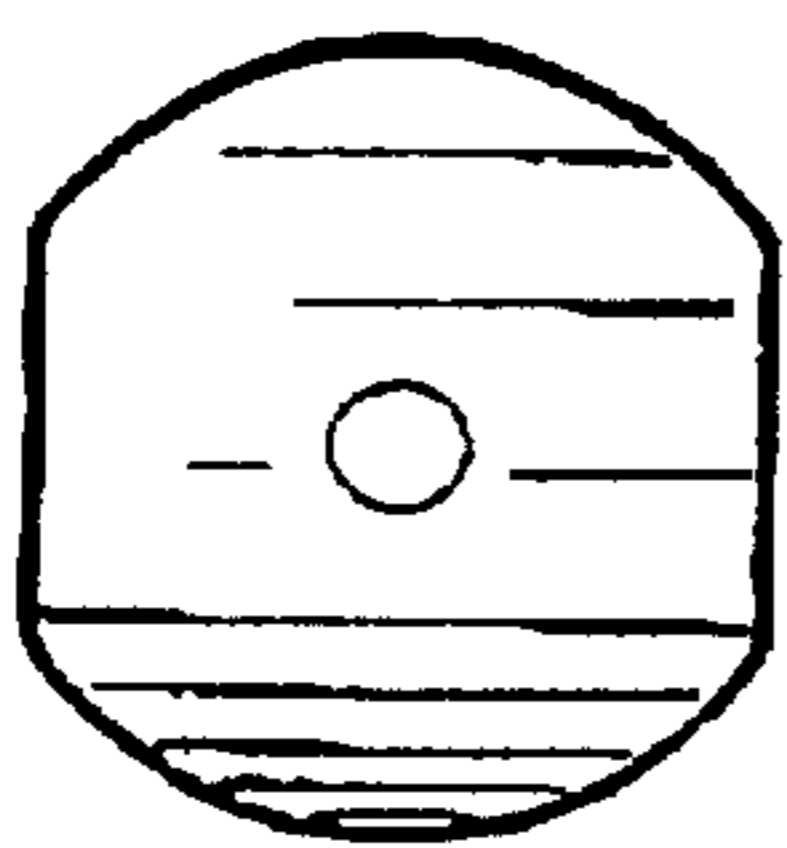


FIG. 24

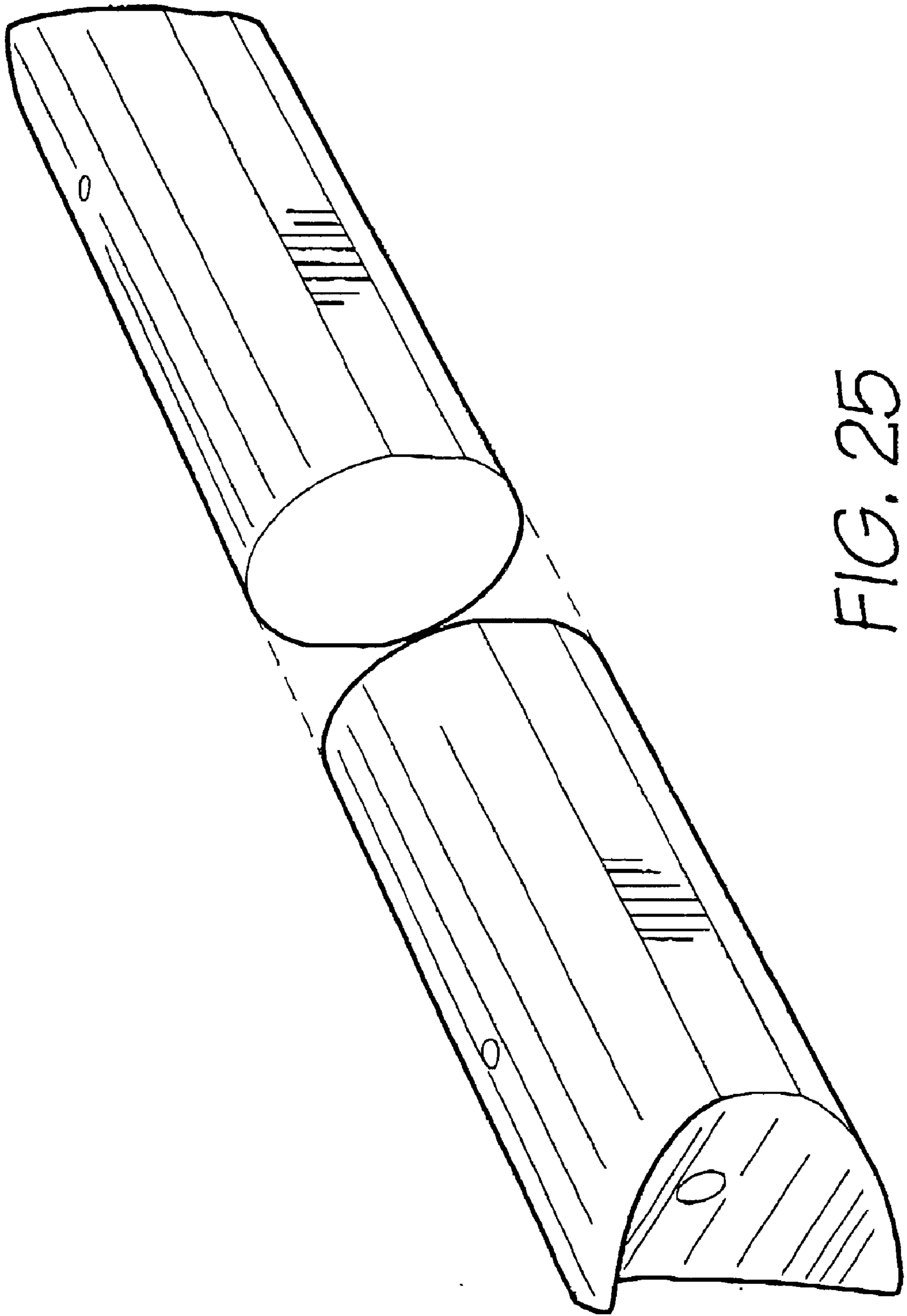


FIG. 25

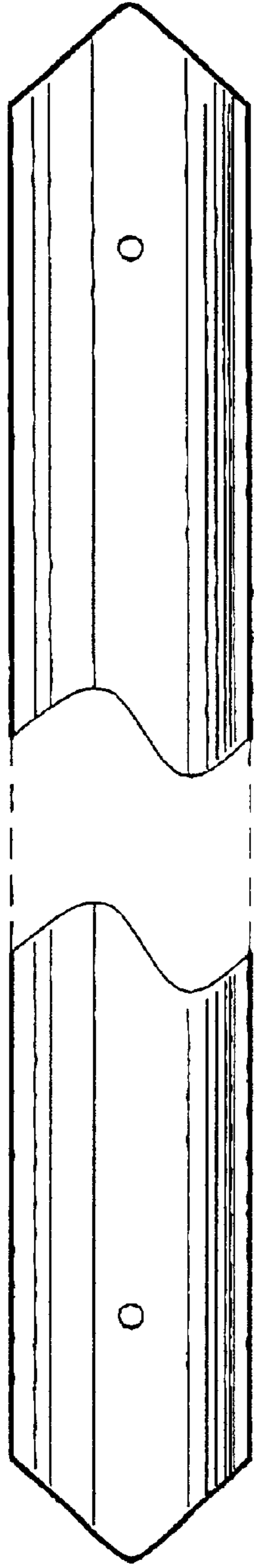


FIG. 26

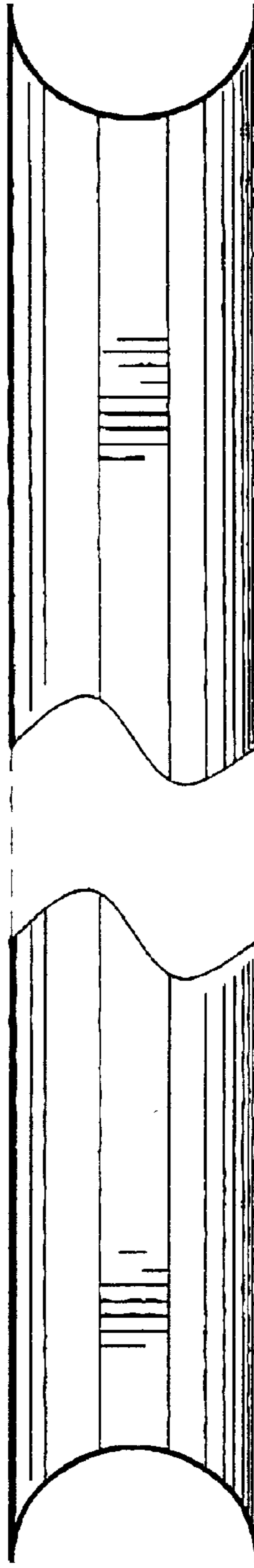


FIG. 27

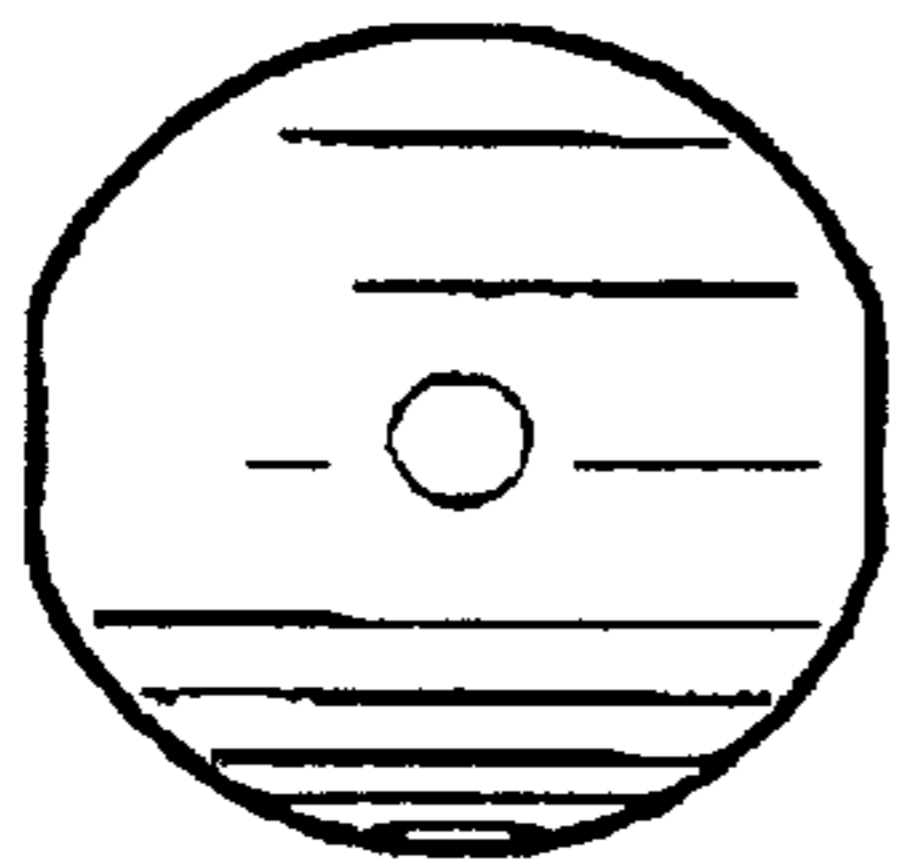


FIG. 28

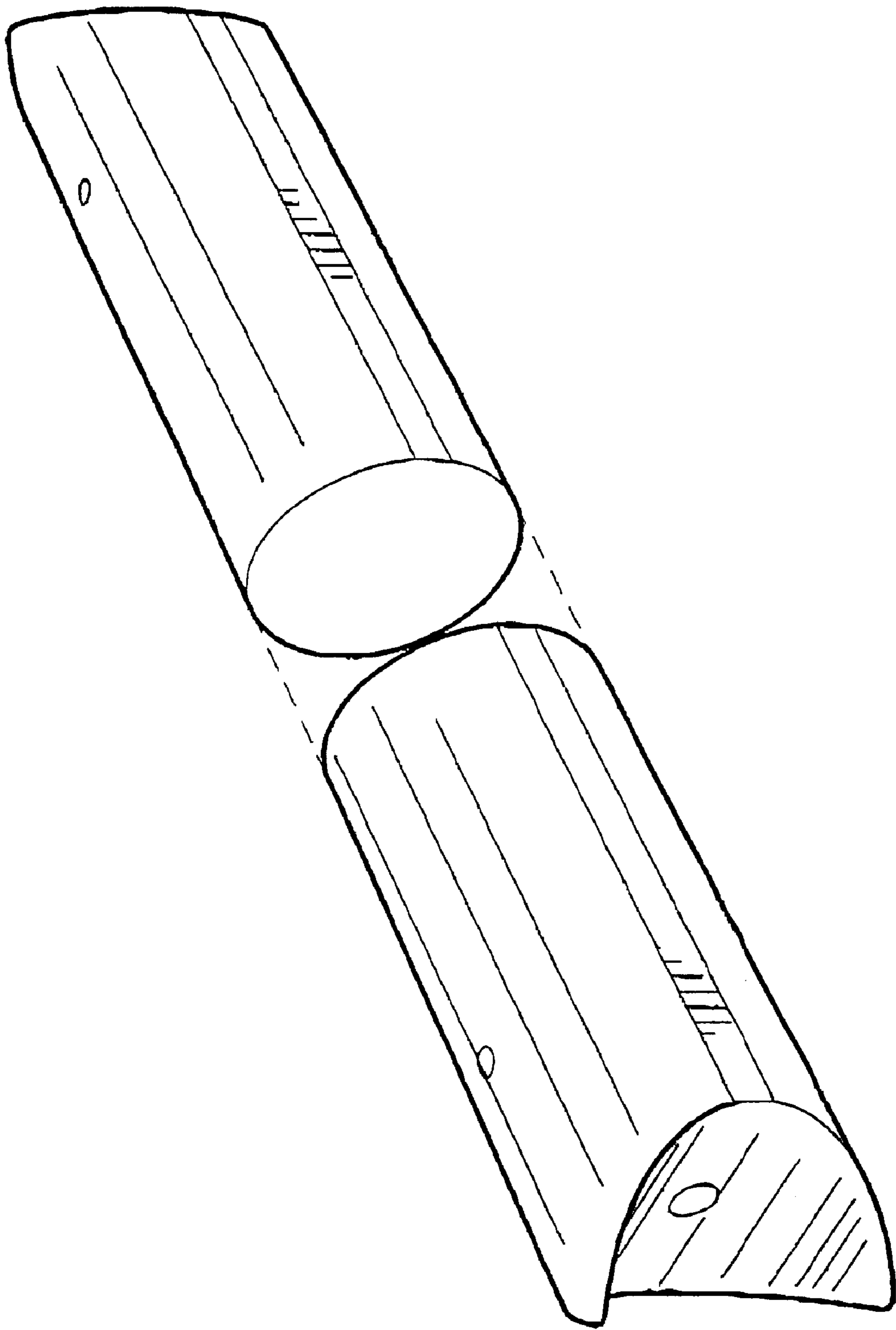


FIG. 29

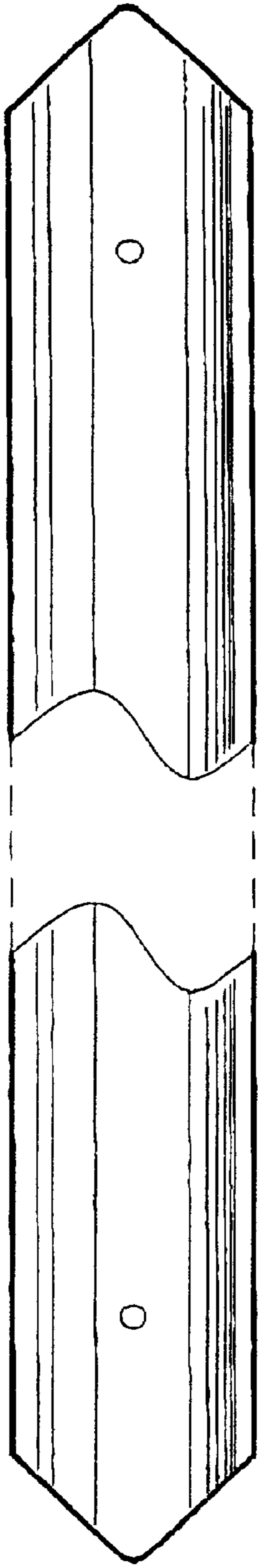


FIG. 30

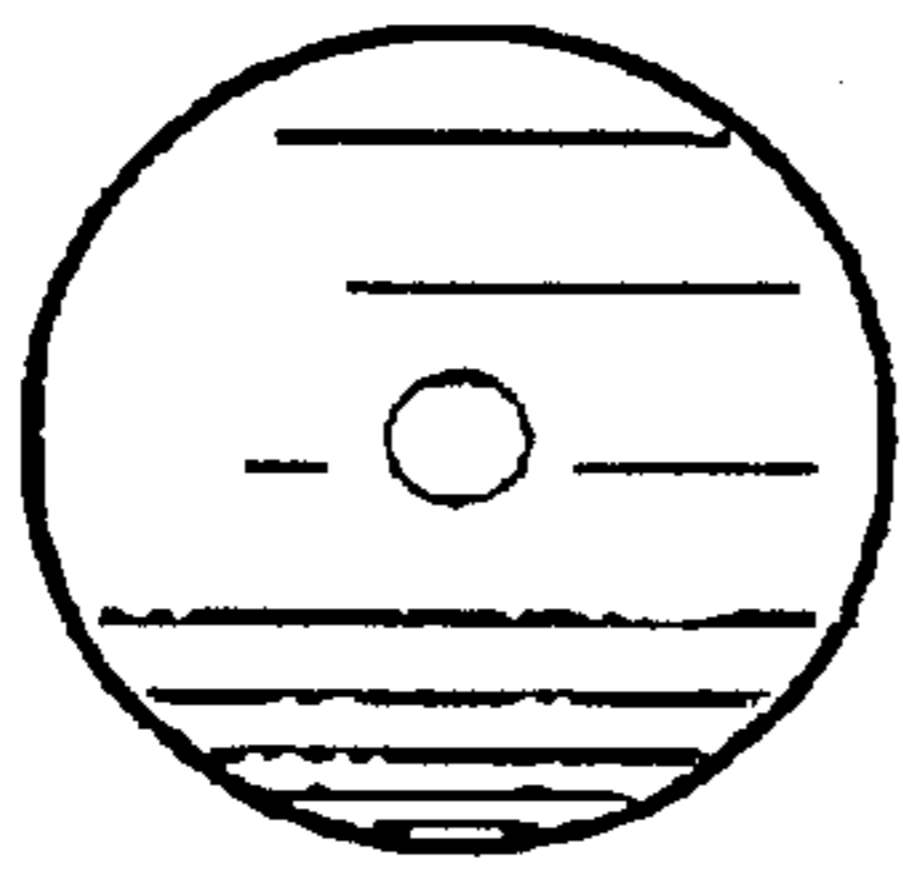


FIG. 32

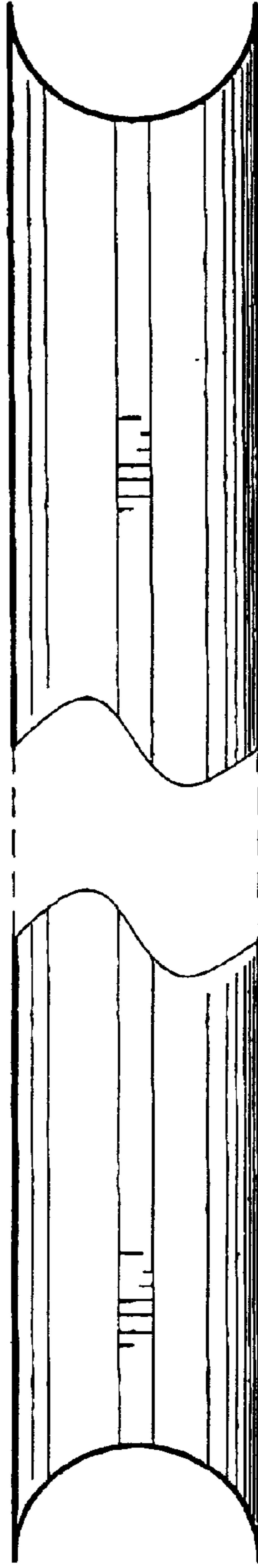


FIG. 31

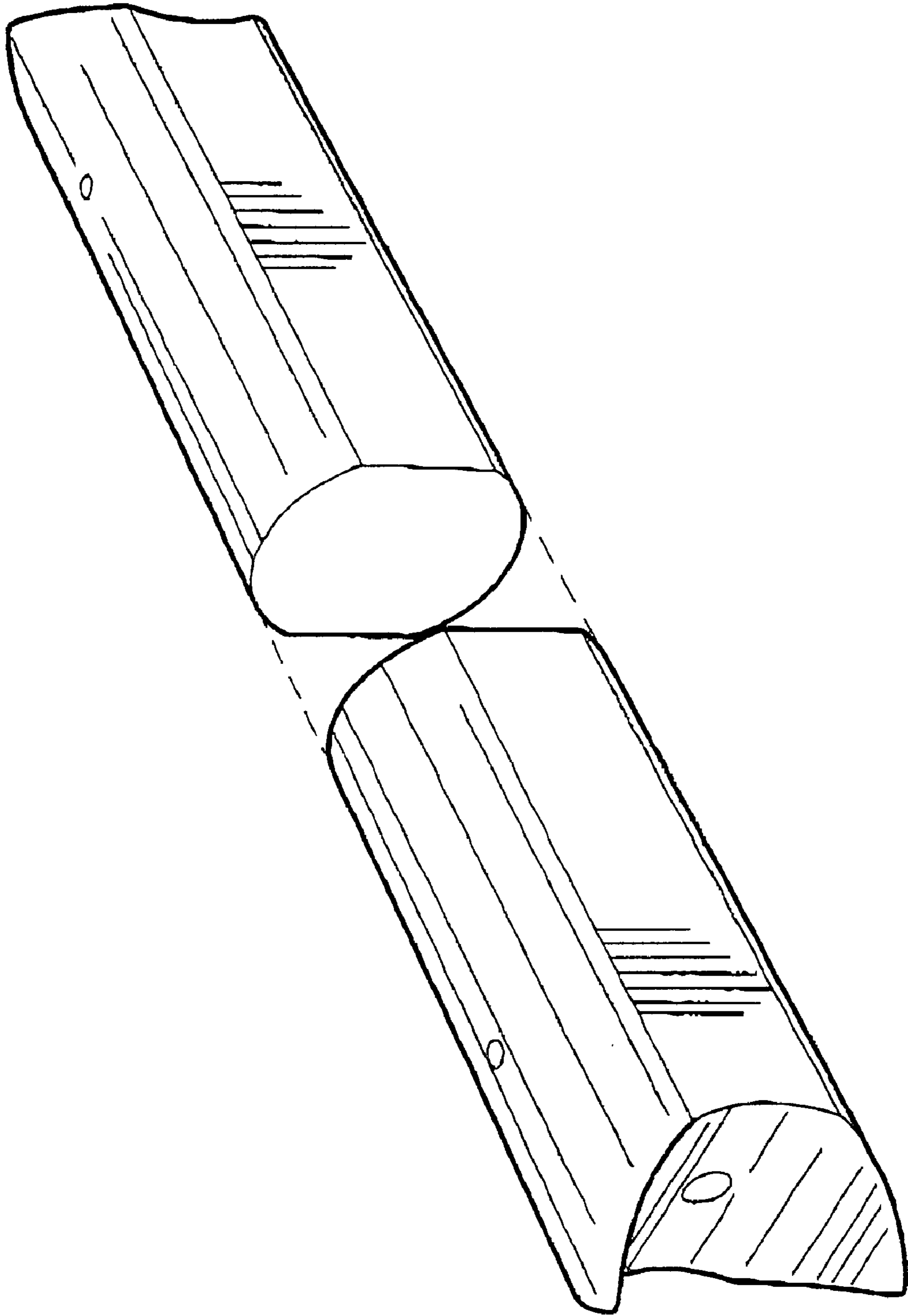


FIG. 33

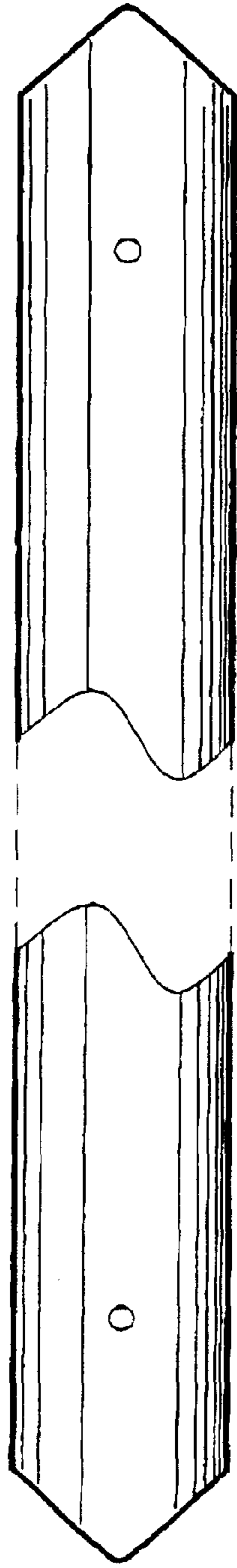


FIG. 34

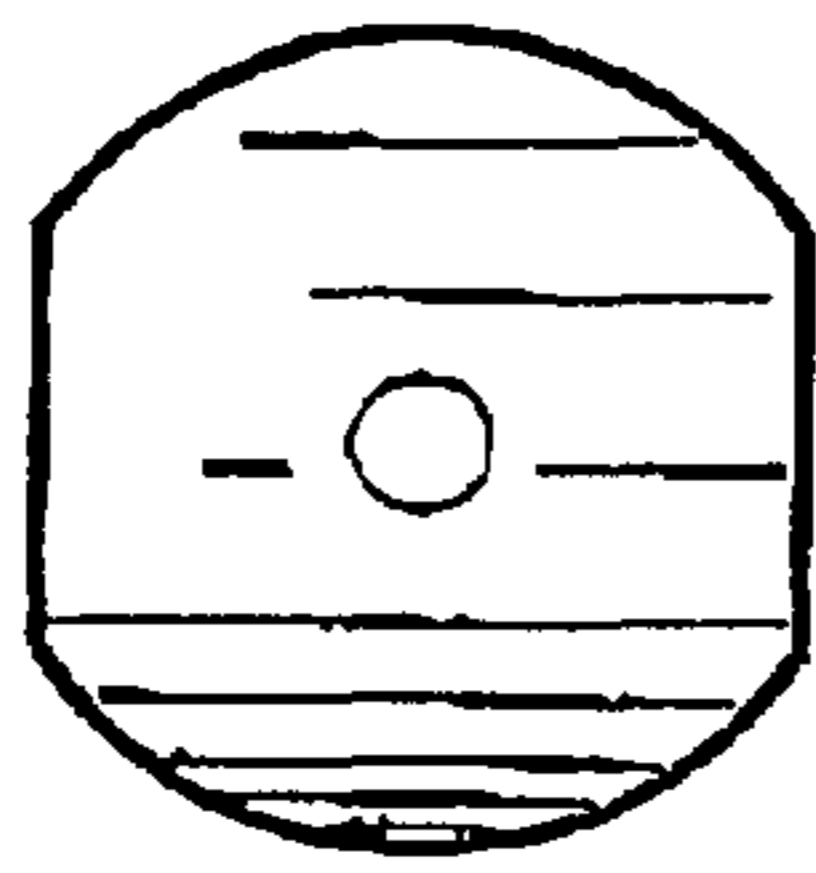


FIG. 36

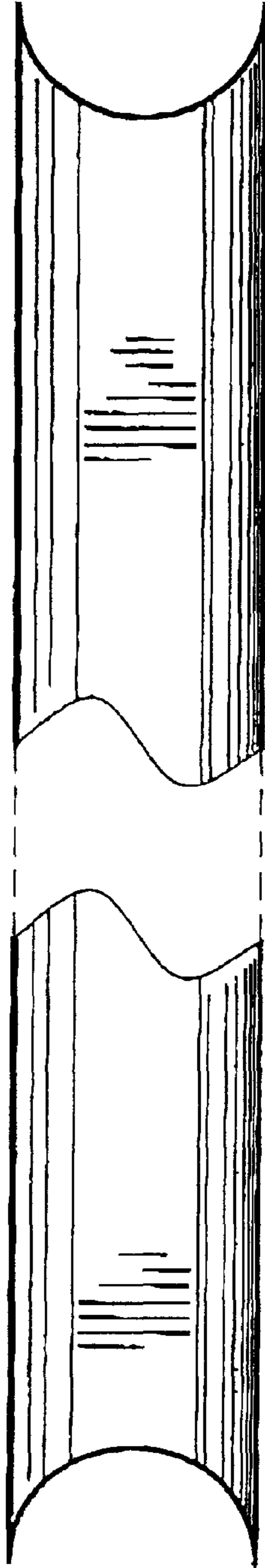


FIG. 35