



US00D475138S

(12) **United States Design Patent**
Baura et al.

(10) **Patent No.:** **US D475,138 S**

(45) **Date of Patent:** **** May 27, 2003**

(54) **ELECTRODE FOR USE ON A LIVING SUBJECT WITH REMOVABLE PROTECTIVE ELECTRODE CARRIER**

4,945,911 A	*	8/1990	Cohen et al.	600/391 X
5,402,780 A	*	4/1995	Faasse, Jr.	600/392 X
5,427,096 A	*	6/1995	Bogusiewicz et al. ..	600/396 X
5,511,548 A	*	4/1996	Riazzi et al.	600/390 X
D429,337 S	*	8/2000	Sanfilippo	D24/187

(75) Inventors: **Gail D. Baura**, San Diego, CA (US);
Kevin Brian Wagner, Chula Vista, CA (US);
Paul Ronald Jansen, San Diego, CA (US);
David Minks, Escondido, CA (US)

* cited by examiner

Primary Examiner—Stella Reid

(74) *Attorney, Agent, or Firm*—Gazdzinski & Associates

(73) Assignee: **CardioDynamics International Corporation**, San Diego, CA (US)

(57) **CLAIM**

(**) Term: **14 Years**

The ornamental design for an electrode for use on a living subject with removal protective electrode carrier, as shown and described.

(21) Appl. No.: **29/151,187**

DESCRIPTION

(22) Filed: **Oct. 31, 2001**

FIG. 1 is a top perspective view of an electrode for use on a living subject showing our new design, with the protective carrier removed;

(51) **LOC (7) Cl.** **24-01**

(52) **U.S. Cl.** **D24/187**

FIG. 2 is a top plan view of the electrode of FIG. 1;

(58) **Field of Search** D24/187; 600/382, 600/383, 384, 391, 392, 390, 396, 372; 607/152, 153, 148, 149

FIG. 3 is a bottom plan view thereof;

FIG. 4 is a first side view thereof;

FIG. 5 is a second side view thereof;

FIG. 6 is a front view thereof;

FIG. 7 is a rear view thereof; and,

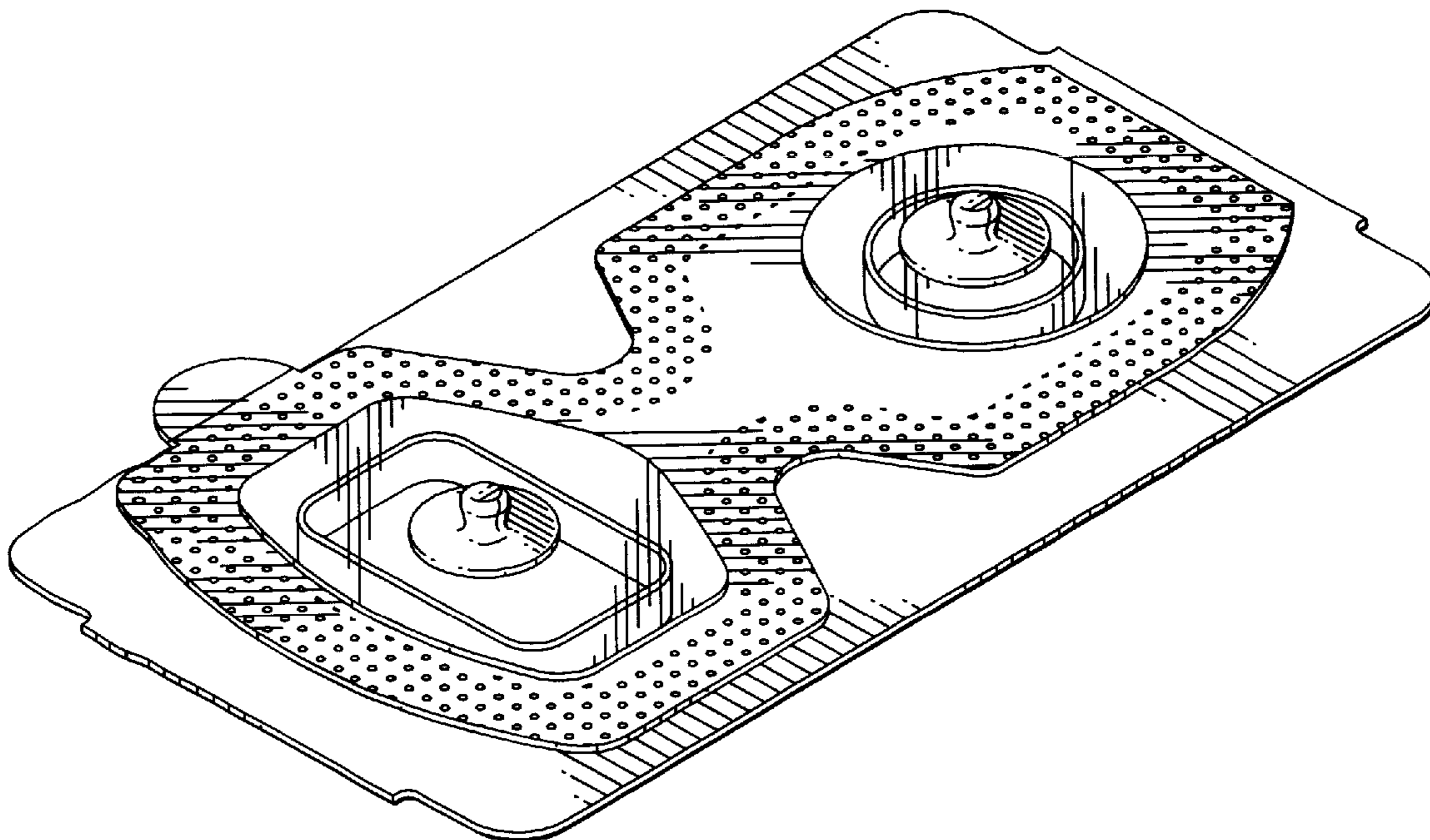
FIG. 8 is a top perspective view of the electrode of FIG. 1 mounted on the protective electrode carrier.

(56) **References Cited**

U.S. PATENT DOCUMENTS

4,617,935 A * 10/1986 Cartmell et al. 600/392 X
4,777,954 A * 10/1988 Keusch et al. 600/392 X

1 Claim, 3 Drawing Sheets



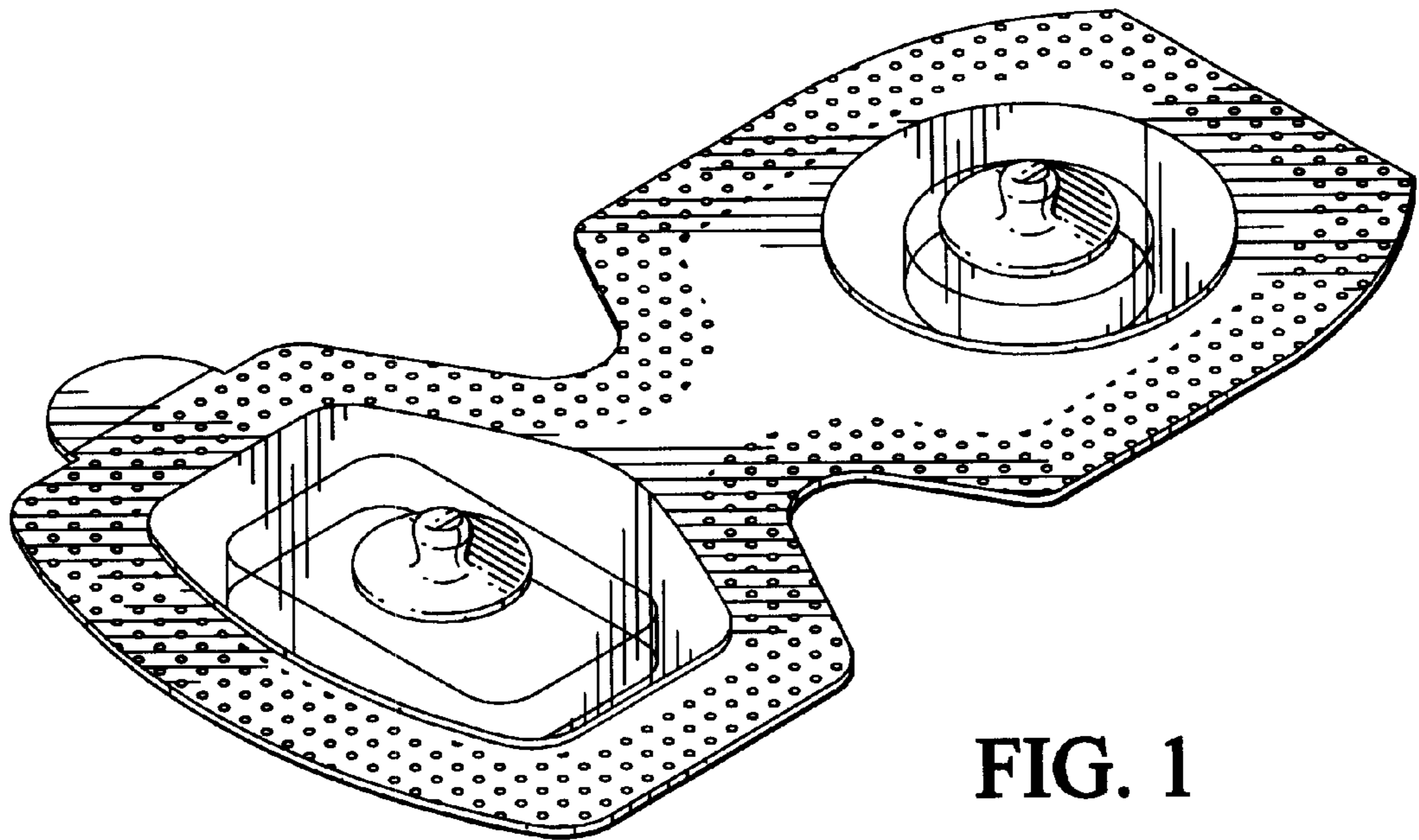


FIG. 1

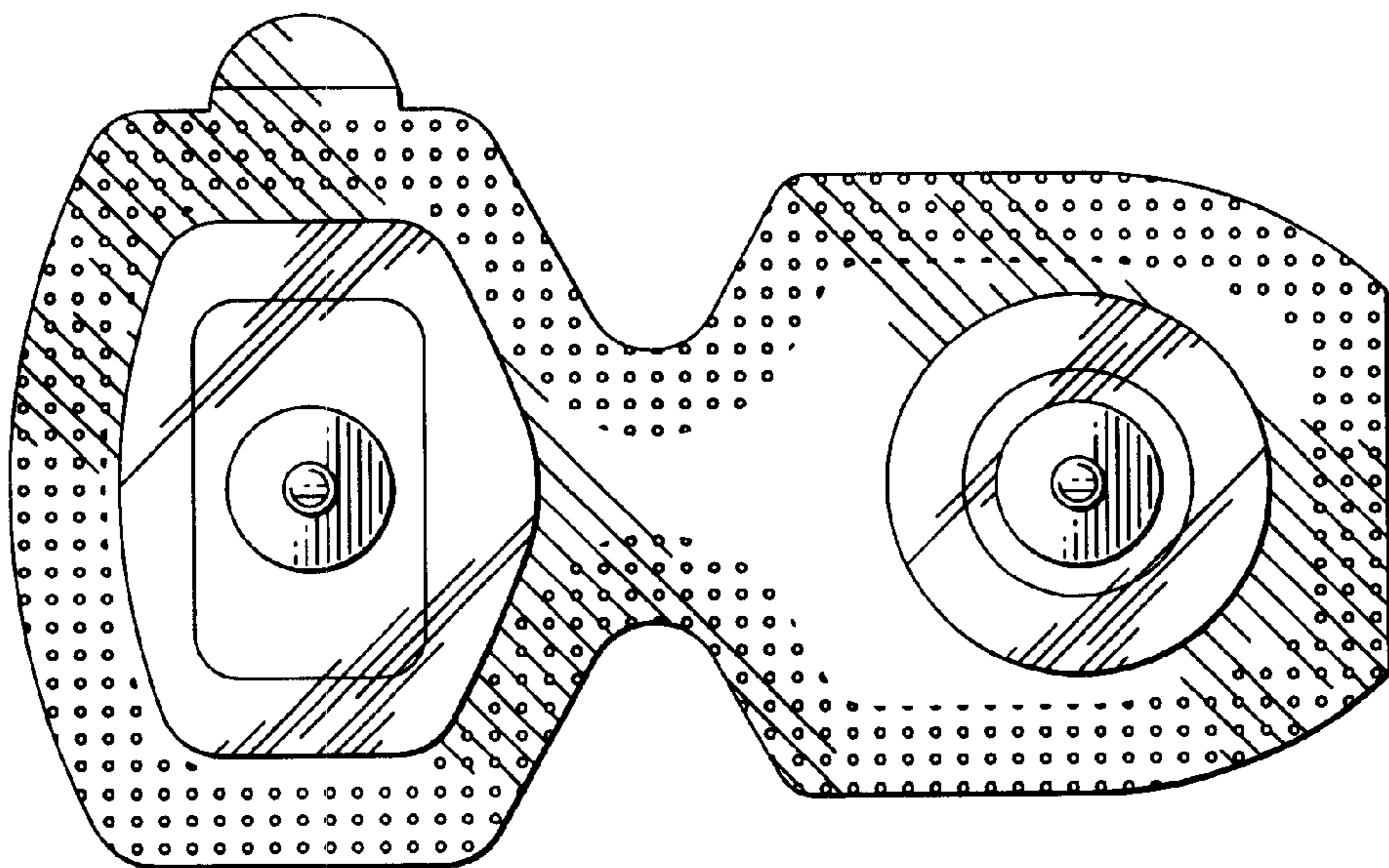


FIG. 2

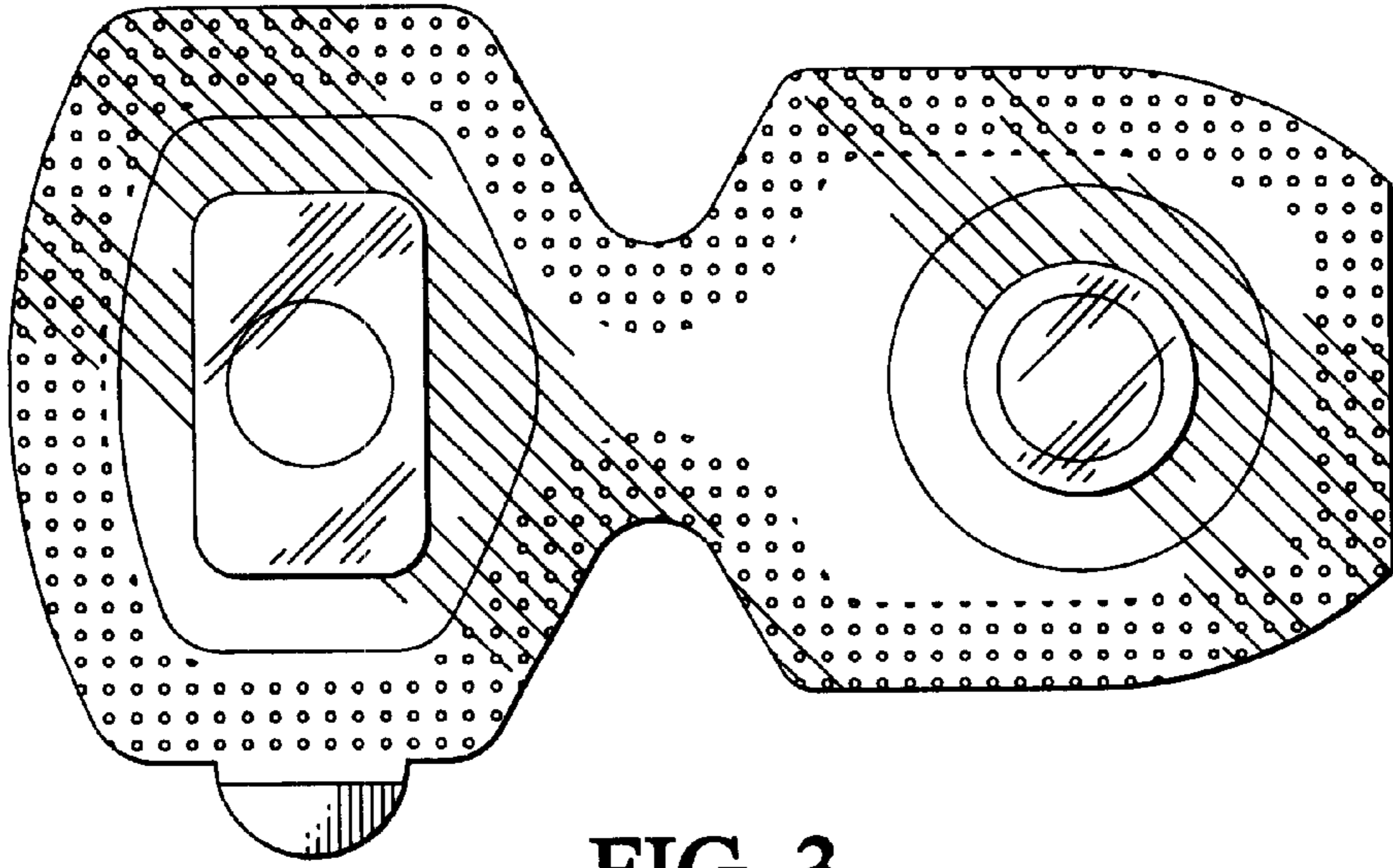


FIG. 3



FIG. 4

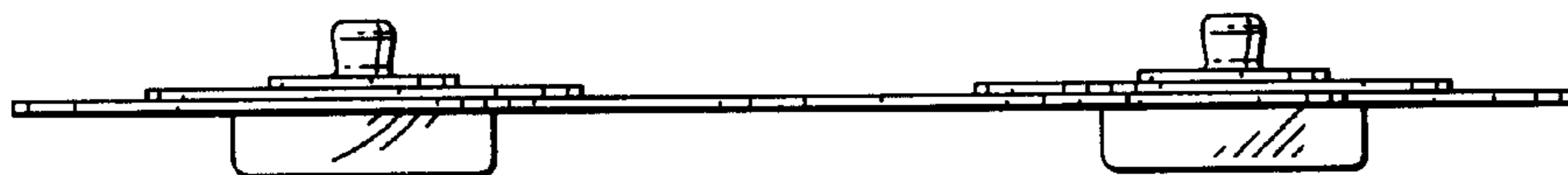


FIG. 5

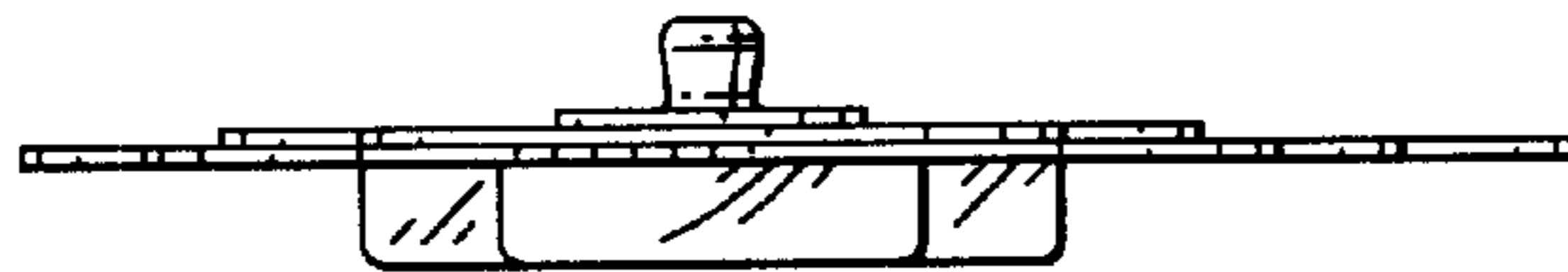


FIG. 6

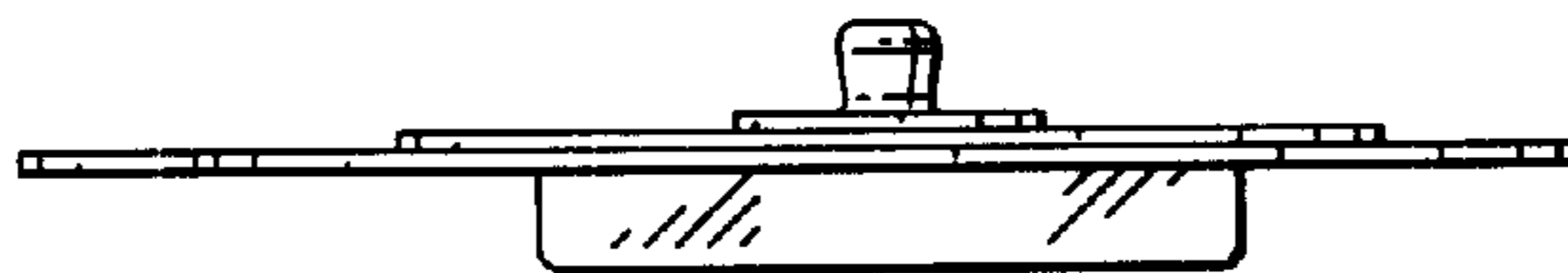


FIG. 7

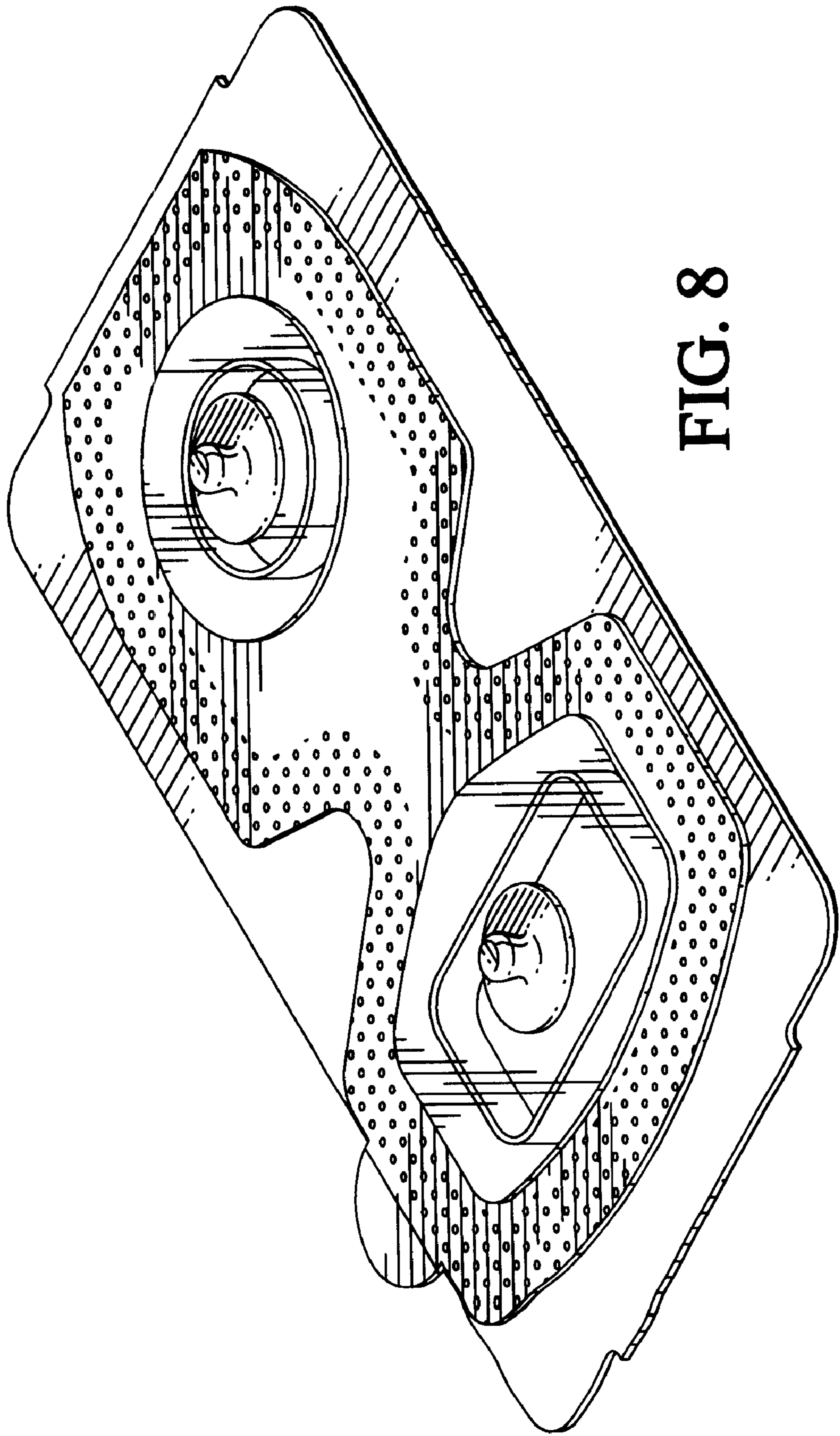


FIG. 8

UNITED STATES PATENT AND TRADEMARK OFFICE
CERTIFICATE OF CORRECTION

PATENT NO. : Des. 475,138 S
DATED : May 27, 2003
INVENTOR(S) : Gail D. Baura et al.

Page 1 of 3

It is certified that error appears in the above-identified patent and that said Letters Patent is hereby corrected as shown below:

The title page should be deleted to appear as per attached title page.

Title page,

Item [54], "ELECTRODE FOR USE ON A LIVING SUBJECT WITH REMOVABLE PROTECTIVE ELECTRODE CARRIER" should read
-- ELECTRODE FOR USE ON A LIVING SUBJECT --

Item [57], Claim, "The ornamental design for an electrode for use on a living subject with removable protective electrode carrier, as shown and described." should read
-- The ornamental design of an electrode for use on a living subject, as shown and described. --

Drawings,

Figure 8 should be deleted to appear as per attached figure 8.

Signed and Sealed this

Ninth Day of September, 2003

A handwritten signature in black ink, appearing to read "James E. Rogan", with a horizontal line underneath.

JAMES E. ROGAN
Director of the United States Patent and Trademark Office

(12) **United States Design Patent** (10) **Patent No.:** **US D475,138 S**
Baura et al. (45) **Date of Patent:** **** May 27, 2003**

(54) **ELECTRODE FOR USE ON A LIVING SUBJECT WITH REMOVABLE PROTECTIVE ELECTRODE CARRIER**

4,945,911 A * 8/1990 Cohen et al. 600/391 X
 5,402,780 A * 4/1995 Faasse, Jr. 600/392 X
 5,427,096 A * 6/1995 Bogusiewicz et al. ... 600/396 X
 5,511,548 A * 4/1996 Riazzi et al. 600/390 X
 D429,337 S * 8/2000 Sanfilippo D24/187

(75) Inventors: **Gail D. Baura**, San Diego, CA (US);
Kevin Brian Wagner, Chula Vista, CA (US);
Paul Ronald Jansen, San Diego, CA (US);
David Minks, Escondido, CA (US)

* cited by examiner

Primary Examiner—Stella Reid
 (74) *Attorney, Agent, or Firm*—Gazdzinski & Associates

(73) Assignee: **CardioDynamics International Corporation**, San Diego, CA (US)

(57) **CLAIM**

(**) Term: **14 Years**

The ornamental design for an electrode for use on a living subject with removal protective electrode carrier, as shown and described.

(21) Appl. No.: **29/151,187**

DESCRIPTION

(22) Filed: **Oct. 31, 2001**

FIG. 1 is a top perspective view of an electrode for use on a living subject showing our new design, with the protective carrier removed;

(51) **LOC (7) Cl.** **24-01**

(52) **U.S. Cl.** **D24/187**

(58) **Field of Search** D24/187; 600/382, 600/383, 384, 391, 392, 390, 396, 372; 607/152, 153, 148, 149

FIG. 2 is a top plan view of the electrode of FIG. 1;

FIG. 3 is a bottom plan view thereof;

FIG. 4 is a first side view thereof;

FIG. 5 is a second side view thereof;

FIG. 6 is a front view thereof;

FIG. 7 is a rear view thereof; and,

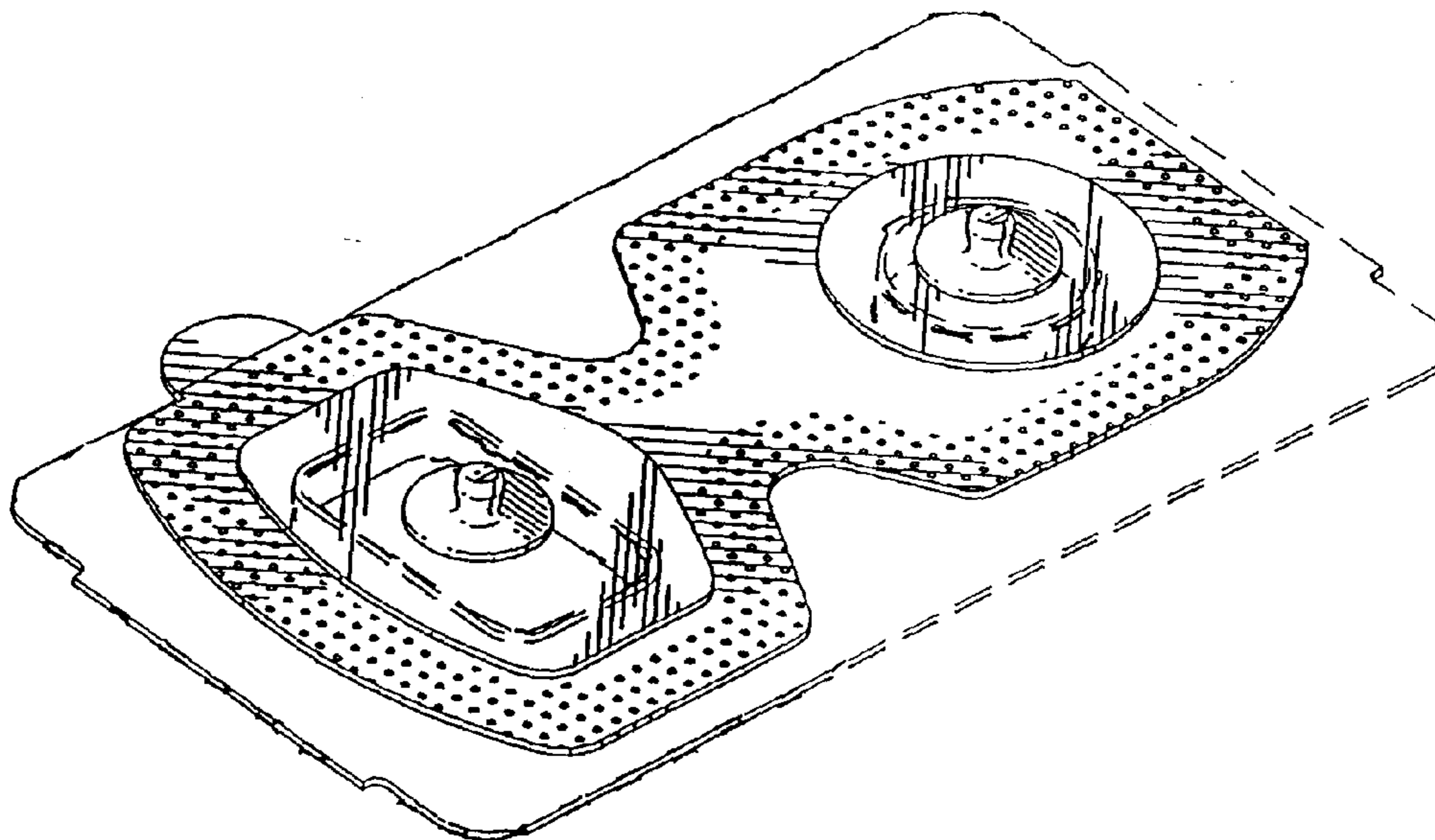
FIG. 8 is a top perspective view of the electrode of FIG. 1 mounted on the protective electrode carrier.

(56) **References Cited**

U.S. PATENT DOCUMENTS

4,617,935 A * 10/1986 Cartmell et al. 600/392 X
 4,777,954 A * 10/1988 Keusch et al. 600/392 X

1 Claim, 3 Drawing Sheets



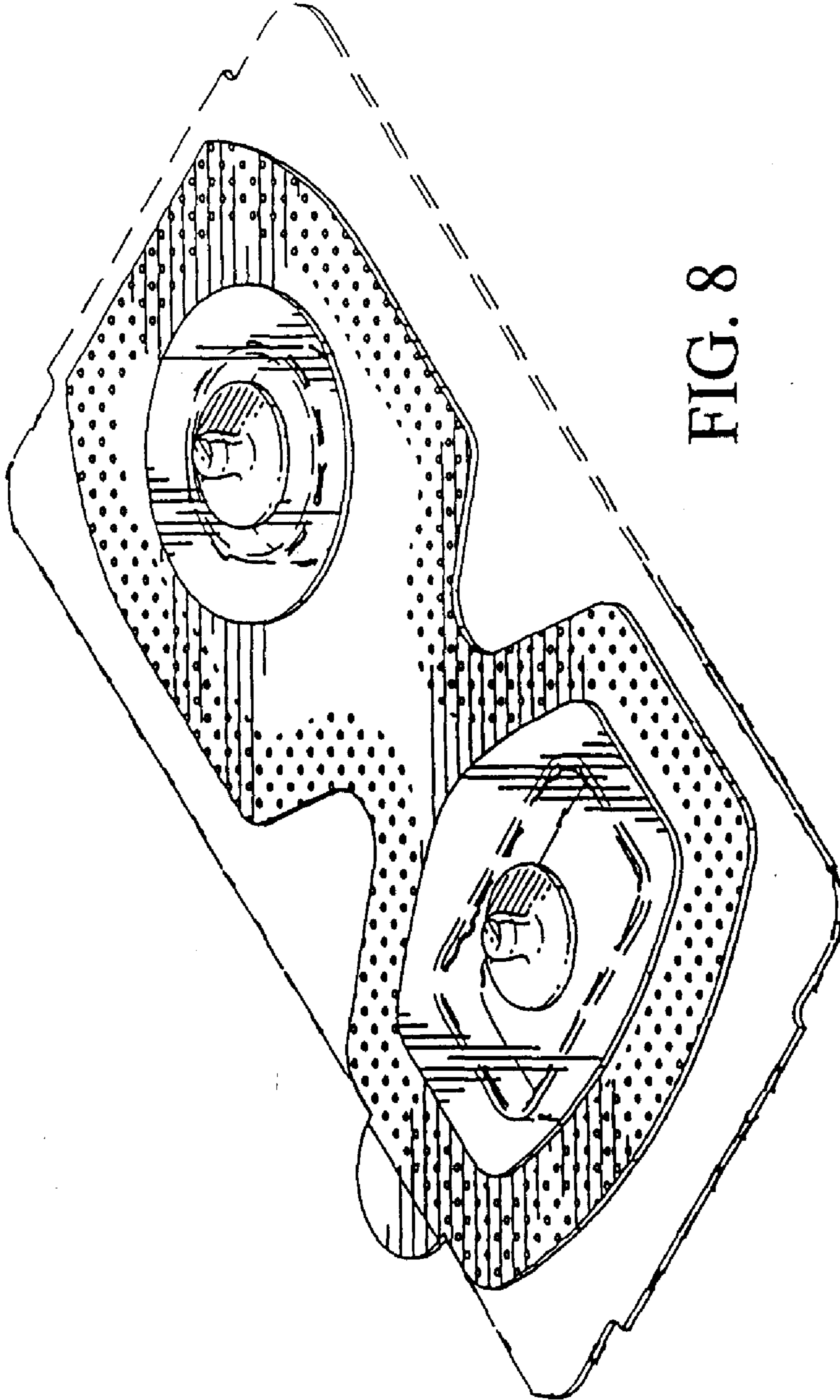


FIG. 8

UNITED STATES PATENT AND TRADEMARK OFFICE
CERTIFICATE OF CORRECTION

PATENT NO. : Des. 475,138 S
DATED : May 27, 2003
INVENTOR(S) : Gail D. Baura et al.

Page 1 of 3

It is certified that error appears in the above-identified patent and that said Letters Patent is hereby corrected as shown below:

The title page should be deleted to appear as per attached title page.

Title page,

Item [54], “**ELECTRODE FOR USE ON A LIVING SUBJECT WITH REMOVABLE PROTECTIVE ELECTRODE CARRIER**” should read
-- **ELECTRODE FOR USE ON A LIVING SUBJECT** --

Item [57], Claim, “The ornamental design for an electrode for use on a living subject with removable protective electrode carrier, as shown and described.” should read
-- The ornamental design of an electrode for use on a living subject, as shown and described. --

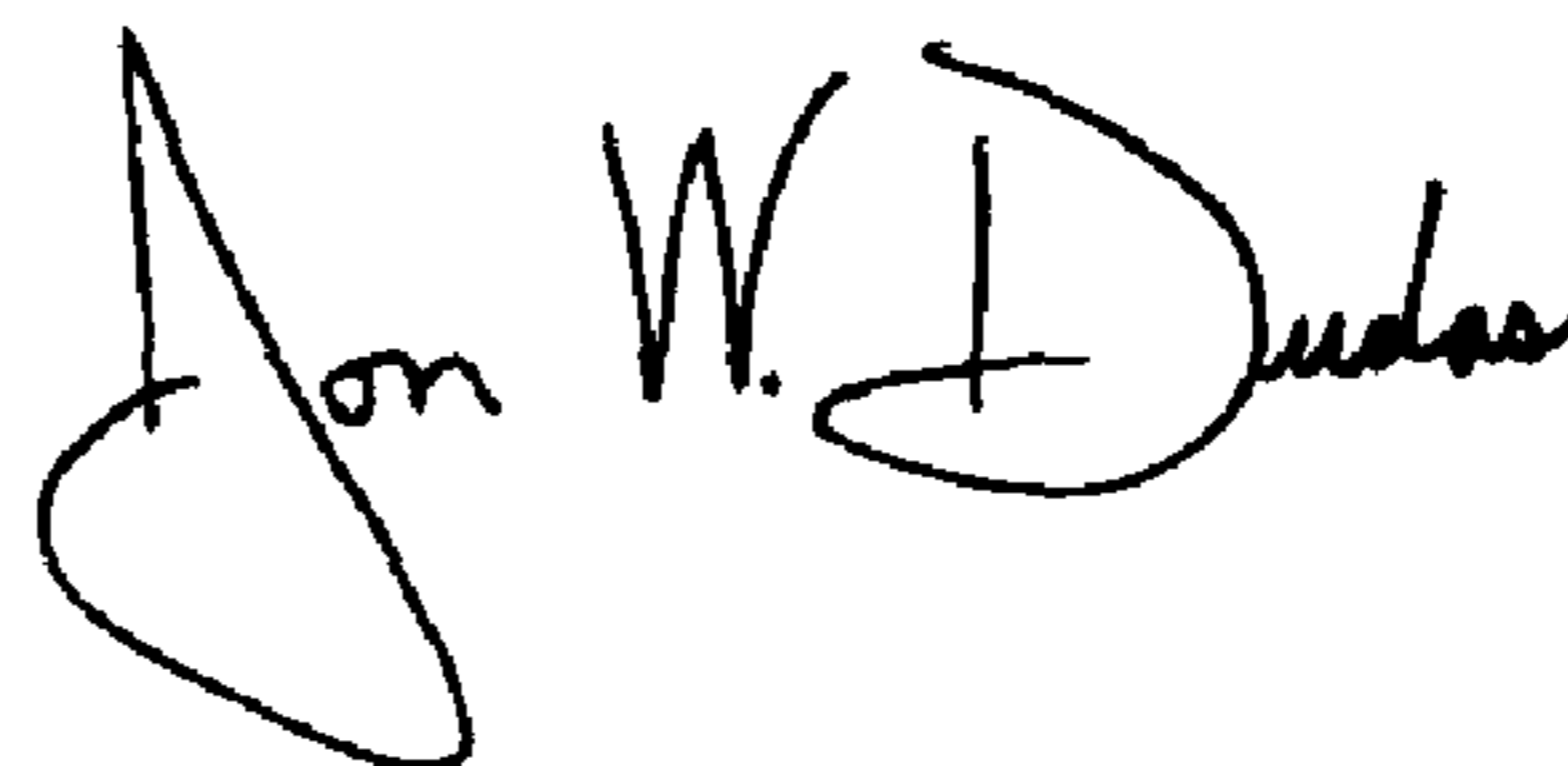
Drawings,

Figure 8 should be deleted to appear as per attached figure 8.

This certificate supersedes Certificate of Correction issued September 9, 2003.

Signed and Sealed this

Twenty-third Day of November, 2004

A handwritten signature in black ink that reads "Jon W. Dudas". The signature is written in a cursive style with a large, stylized initial 'J'.

JON W. DUDAS

Director of the United States Patent and Trademark Office

(12) **United States Design Patent** (10) Patent No.: **US D475,138 S**
Baura et al. (45) Date of Patent: **** May 27, 2003**

(54) **ELECTRODE FOR USE ON A LIVING SUBJECT**

(75) Inventors: **Gail D. Baura, San Diego, CA (US); Kevin Brian Wagner, Chula Vista, CA (US); Paul Ronald Jansen, San Diego, CA (US); David Minks, Escondido, CA (US)**

(73) Assignee: **CardioDynamics International Corporation, San Diego, CA (US)**

(**) Term: **14 Years**

(21) Appl. No.: **29/151,187**

(22) Filed: **Oct. 31, 2001**

(51) LOC (7) Cl. **24-01**

(52) U.S. Cl. **D24/187**

(58) Field of Search **D24/187; 600/382, 600/383, 384, 391, 392, 390, 396, 372; 607/152, 153, 148, 149**

(56) **References Cited**

U.S. PATENT DOCUMENTS

4,617,935 A * 10/1986 Cartmell et al. 600/392 X
 4,777,954 A * 10/1988 Keusch et al. 600/392 X

4,945,911 A * 8/1990 Cohen et al. 600/391 X
 5,402,780 A * 4/1995 Faasse, Jr. 600/392 X
 5,427,096 A * 6/1995 Bogusiewicz et al. ... 600/396 X
 5,511,548 A * 4/1996 Riazzi et al. 600/390 X
 D429,337 S * 8/2000 Sanfilippo D24/187

* cited by examiner

Primary Examiner—Stella Reid

(74) *Attorney, Agent, or Firm*—Gazdzinski & Associates

(57) **CLAIM**

The ornamental design of an electrode for use on a living subject, as shown and described.

DESCRIPTION

FIG. 1 is a top perspective view of an electrode for use on a living subject showing our new design, with the protective carrier removed;

FIG. 2 is a top plan view of the electrode of FIG. 1;

FIG. 3 is a bottom plan view thereof;

FIG. 4 is a first side view thereof;

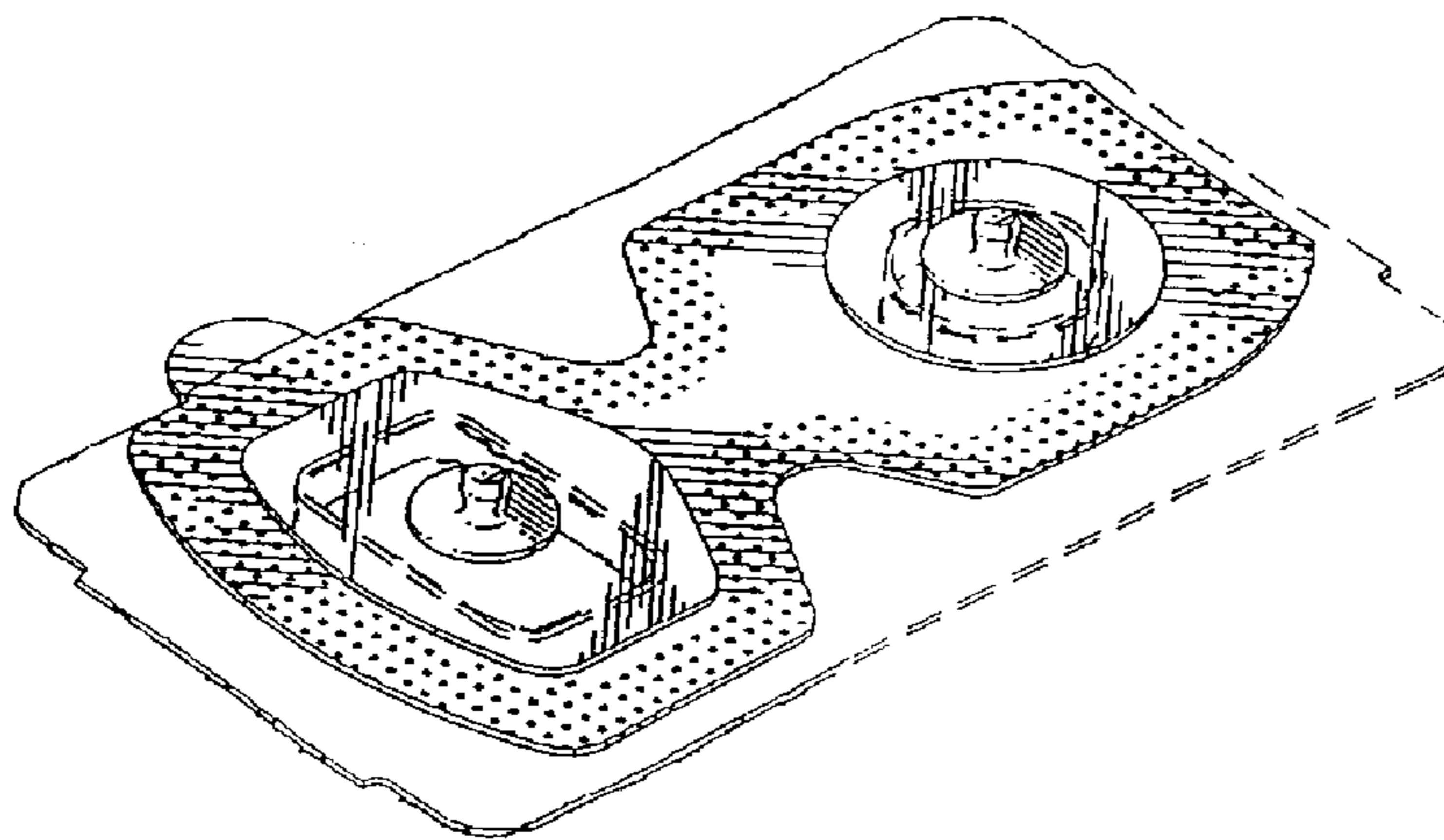
FIG. 5 is a second side view thereof;

FIG. 6 is a front view thereof;

FIG. 7 is a rear view thereof; and,

FIG. 8 is a top perspective view of the electrode of FIG. 1 mounted on the protective electrode carrier.

1 Claim, 3 Drawing Sheets



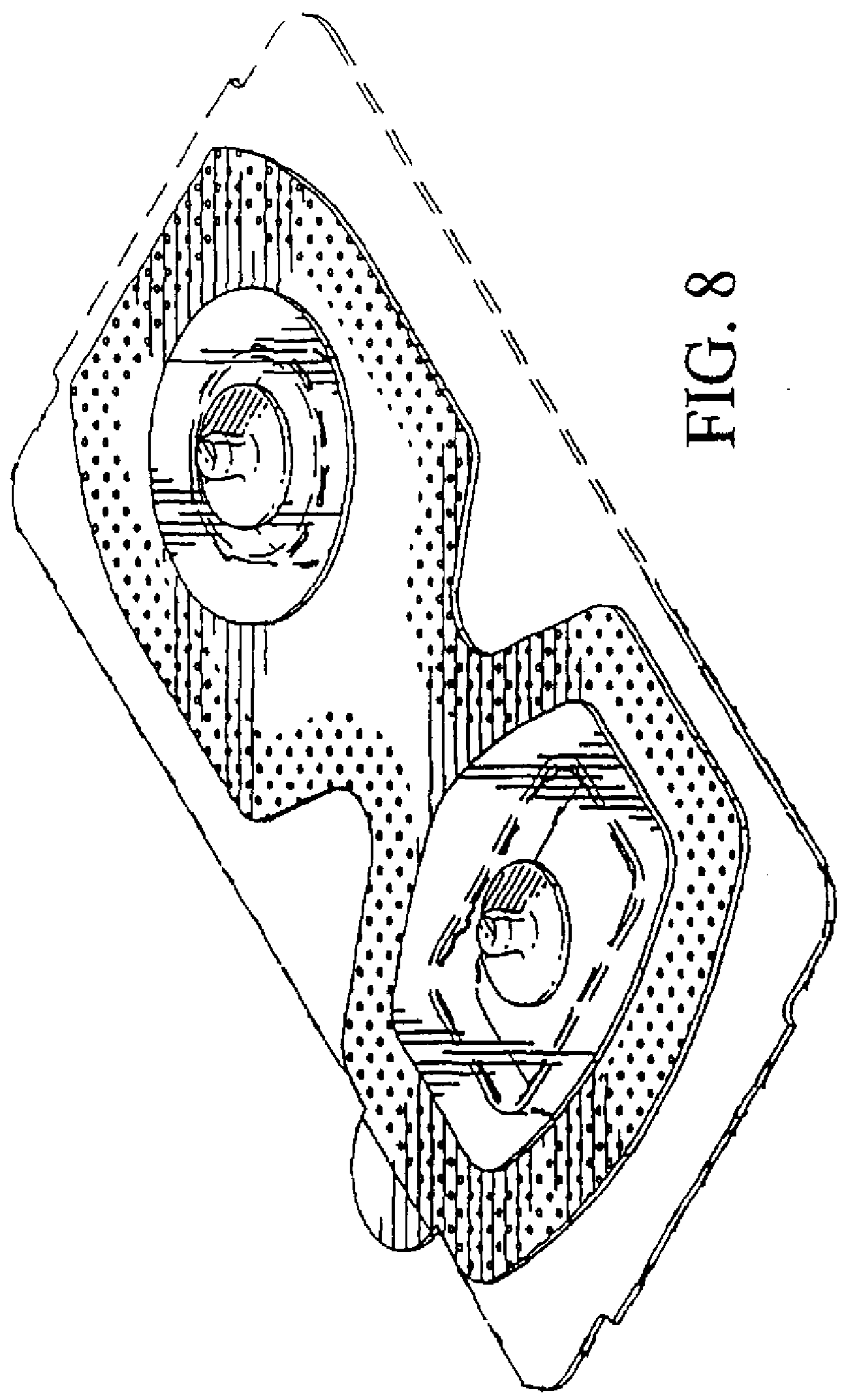


FIG. 8

UNITED STATES PATENT AND TRADEMARK OFFICE
CERTIFICATE OF CORRECTION

PATENT NO. : Des. 475,138 S
APPLICATION NO. : 29/151,187
DATED : May 27, 2003
INVENTOR(S) : Gail D. Baura et al.

Page 1 of 4

It is certified that error appears in the above-identified patent and that said Letters Patent is hereby corrected as shown below:

The title page should be deleted to appear as per attached title page.

Title page.

Item [54], "**ELECTRODE FOR USE ON A LIVING SUBJECT WITH REMOVABLE PROTECTIVE ELECTRODE CARRIER**" should read
-- **ELECTRODE FOR USE ON A LIVING SUBJECT** --

Item [57], Claim, "The ornamental design for an electrode for use on a living subject with removable protective electrode carrier, as shown and described." should read
-- The ornamental design of an electrode for use on a living subject, as shown and described. --

COVER PAGE, COLUMN 2:

"FIG. 8 is a top perspective view of the electrode of FIG. 1 mounted on the protective electrode carrier."

Should Read:

--FIG. 8 is a top perspective view of the electrode of FIG. 1 mounted on the protective electrode carrier which is being shown in broken lines for illustrative purposes only and forming no part of the claimed design.--

UNITED STATES PATENT AND TRADEMARK OFFICE
CERTIFICATE OF CORRECTION

PATENT NO. : Des. 475,138 S
APPLICATION NO. : 29/151,187
DATED : May 27, 2003
INVENTOR(S) : Gail D. Baura et al.

Page 2 of 4

It is certified that error appears in the above-identified patent and that said Letters Patent is hereby corrected as shown below:

Drawings.

Figure 8 should be deleted to appear as per attached figure 8.

This certificate supersedes the Certificates of Correction issued September 9, 2003 and November 23, 2004.

Signed and Sealed this

Twenty-eighth Day of October, 2008

A handwritten signature in black ink that reads "Jon W. Dudas". The signature is written in a cursive style with a large, looped initial "J".

JON W. DUDAS

Director of the United States Patent and Trademark Office

(12) **United States Design Patent** (10) Patent No.: **US D475,138 S**
Baura et al. (45) Date of Patent: **** May 27, 2003**

(54) **ELECTRODE FOR USE ON A LIVING SUBJECT**

(75) Inventors: **Gail D. Baura, San Diego, CA (US); Kevin Brian Wagner, Chula Vista, CA (US); Paul Ronald Jansen, San Diego, CA (US); David Minks, Escondido, CA (US)**

(73) Assignee: **CardioDynamics International Corporation, San Diego, CA (US)**

(**) Term: **14 Years**

(21) Appl. No.: **29/151,187**

(22) Filed: **Oct. 31, 2001**

(51) LOC (7) Cl. **24-01**

(52) U.S. Cl. **D24/187**

(58) Field of Search **D24/187; 600/382, 600/383, 384, 391, 392, 390, 396, 372; 607/152, 153, 148, 149**

(56) **References Cited**

U.S. PATENT DOCUMENTS

4,617,935 A * 10/1986 Cartmell et al. 600/392 X
 4,777,954 A * 10/1988 Keusch et al. 600/392 X

4,945,911 A * 8/1990 Cohen et al. 600/391 X
 5,402,780 A * 4/1995 Faasse, Jr. 600/392 X
 5,427,096 A * 6/1995 Bogusiewicz et al. ... 600/396 X
 5,511,548 A * 4/1996 Riazzi et al. 600/390 X
 D429,337 S * 8/2000 Sanfilippo D24/187

* cited by examiner

Primary Examiner—Stella Reid

(74) *Attorney, Agent, or Firm—Gazdzinski & Associates*

(57) **CLAIM**

The ornamental design of an electrode for use on a living subject, as shown and described.

DESCRIPTION

FIG. 1 is a top perspective view of an electrode for use on a living subject showing our new design, with the protective carrier removed;

FIG. 2 is a top plan view of the electrode of FIG. 1;

FIG. 3 is a bottom plan view thereof;

FIG. 4 is a first side view thereof;

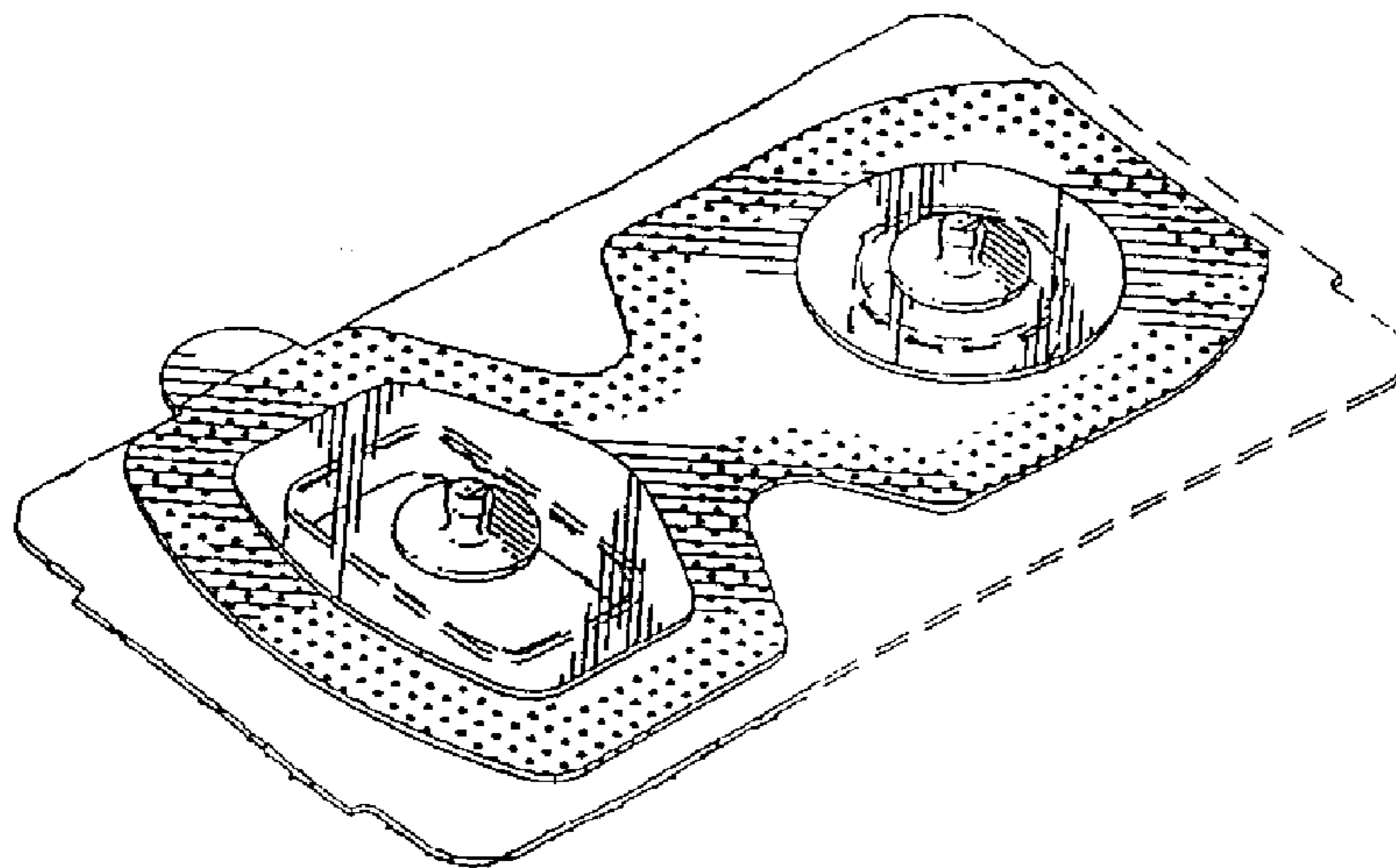
FIG. 5 is a second side view thereof;

FIG. 6 is a front view thereof;

FIG. 7 is a rear view thereof; and,

FIG. 8 is a top perspective view of the electrode of FIG. 1 mounted on the protective electrode carrier.

1 Claim, 3 Drawing Sheets



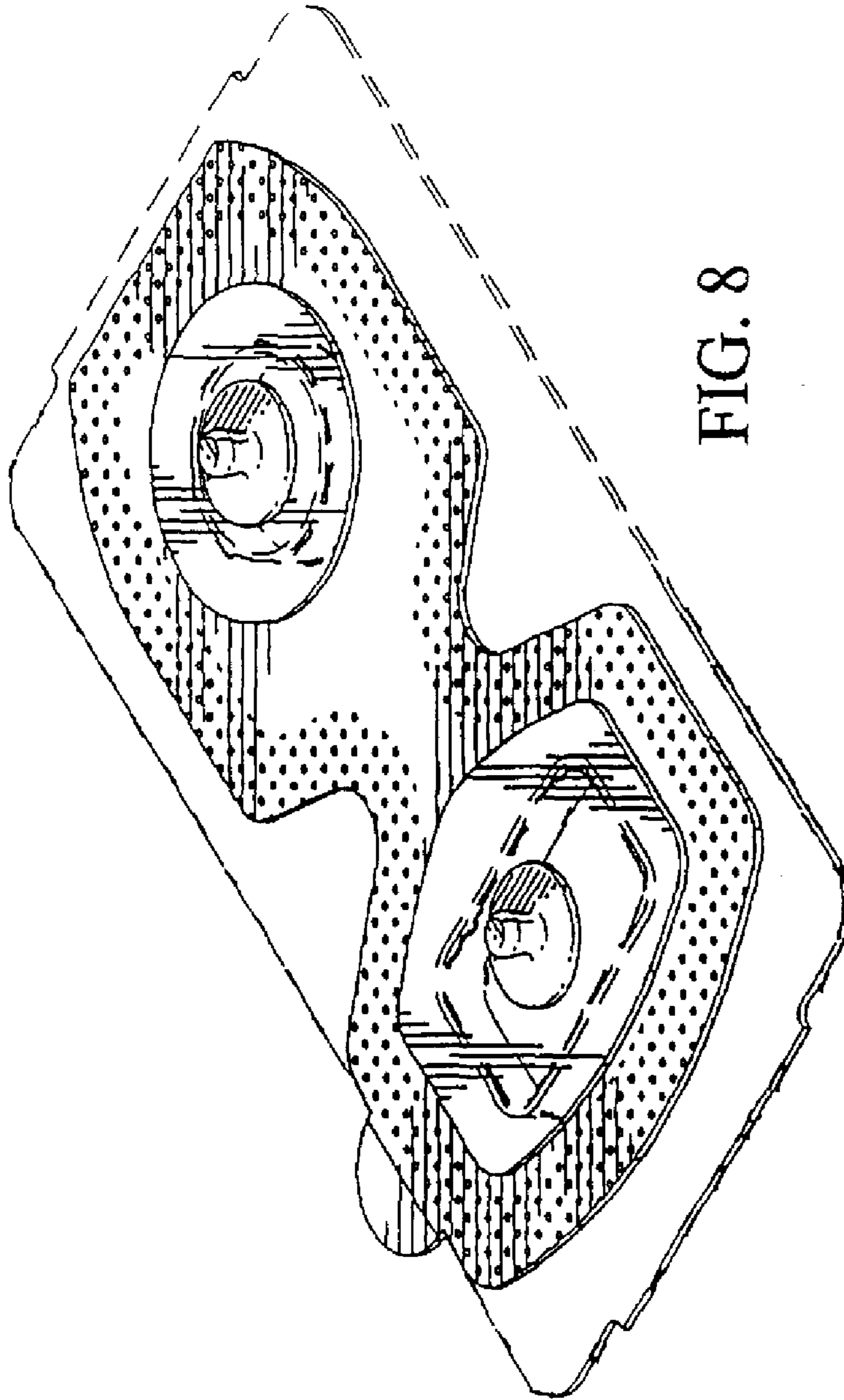


FIG. 8

UNITED STATES PATENT AND TRADEMARK OFFICE
CERTIFICATE OF CORRECTION

PATENT NO. : Des. 475,138 S
APPLICATION NO. : 29/151,187
DATED : May 27, 2003
INVENTOR(S) : Gail D. Baura et al.

Page 1 of 4

It is certified that error appears in the above-identified patent and that said Letters Patent is hereby corrected as shown below:

The title page should be deleted to appear as per attached title page.

Title page.

Item [54], "**ELECTRODE FOR USE ON A LIVING SUBJECT WITH REMOVABLE PROTECTIVE ELECTRODE CARRIER**" should read
-- **ELECTRODE FOR USE ON A LIVING SUBJECT** --

Item [57], Claim, "The ornamental design for an electrode for use on a living subject with removable protective electrode carrier, as shown and described." should read
-- The ornamental design of an electrode for use on a living subject, as shown and described. --

COVER PAGE, COLUMN 2:

"FIG. 8 is a top perspective view of the electrode of FIG. 1 mounted on the protective electrode carrier."

Should Read:

--FIG. 8 is a top perspective view of the electrode of FIG. 1 mounted on the protective electrode carrier which is being shown in broken lines for illustrative purposes only and forming no part of the claimed design.--

UNITED STATES PATENT AND TRADEMARK OFFICE
CERTIFICATE OF CORRECTION

PATENT NO. : Des. 475,138 S
APPLICATION NO. : 29/151,187
DATED : May 27, 2003
INVENTOR(S) : Gail D. Baura et al.

Page 2 of 4

It is certified that error appears in the above-identified patent and that said Letters Patent is hereby corrected as shown below:

Drawings.

Figure 8 should be deleted to appear as per attached figure 8.

This certificate supersedes all previously issued Certificates of Correction.

Signed and Sealed this

Ninth Day of December, 2008

A handwritten signature in black ink that reads "Jon W. Dudas". The signature is written in a cursive style with a large, stylized initial "J".

JON W. DUDAS
Director of the United States Patent and Trademark Office

(12) **United States Design Patent** (10) Patent No.: **US D475,138 S**
Baura et al. (45) Date of Patent: **** May 27, 2003**

(54) **ELECTRODE FOR USE ON A LIVING SUBJECT**

5,427,096 A * 6/1995 Bogusiewicz et al. ... 600/396 X
 5,511,548 A * 4/1996 Riazzi et al. 600/390 X
 D429,337 S * 8/2000 Sanfilippo D24/187

(75) Inventors: **Gail D. Baura, San Diego, CA (US); Kevin Brian Wagner, Chula Vista, CA (US); Paul Ronald Jansen, San Diego, CA (US); David Minks, Escondido, CA (US)**

* cited by examiner

Primary Examiner—Stella Reid
 (74) *Attorney, Agent, or Firm—Gazdzinski & Associates*

(73) Assignee: **CardioDynamics International Corporation, San Diego, CA (US)**

(57) **CLAIM**

The ornamental design of an electrode for use on a living subject, as shown and described.

(**) Term: **14 Years**

(21) Appl. No.: **29/151,187**

(22) Filed: **Oct. 31, 2001**

(51) LOC (7) Cl. **24-01**

(52) U.S. Cl. **D24/187**

(58) Field of Search **D24/187; 600/382, 600/383, 384, 391, 392, 390, 396, 372; 607/152, 153, 148, 149**

(56) **References Cited**

U.S. PATENT DOCUMENTS

4,617,935 A * 10/1986 Cartmell et al. 600/392 X
 4,777,954 A * 10/1988 Keusch et al. 600/392 X
 4,945,911 A * 8/1990 Cohen et al. 600/391 X
 5,402,780 A * 4/1995 Faasse, Jr. 600/392 X

DESCRIPTION

FIG. 1 is a top perspective view of an electrode for use on a living subject showing our new design, with the protective carrier removed;

FIG. 2 is a top plan view of the electrode of FIG. 1;

FIG. 3 is a bottom plan view thereof;

FIG. 4 is a first side view thereof;

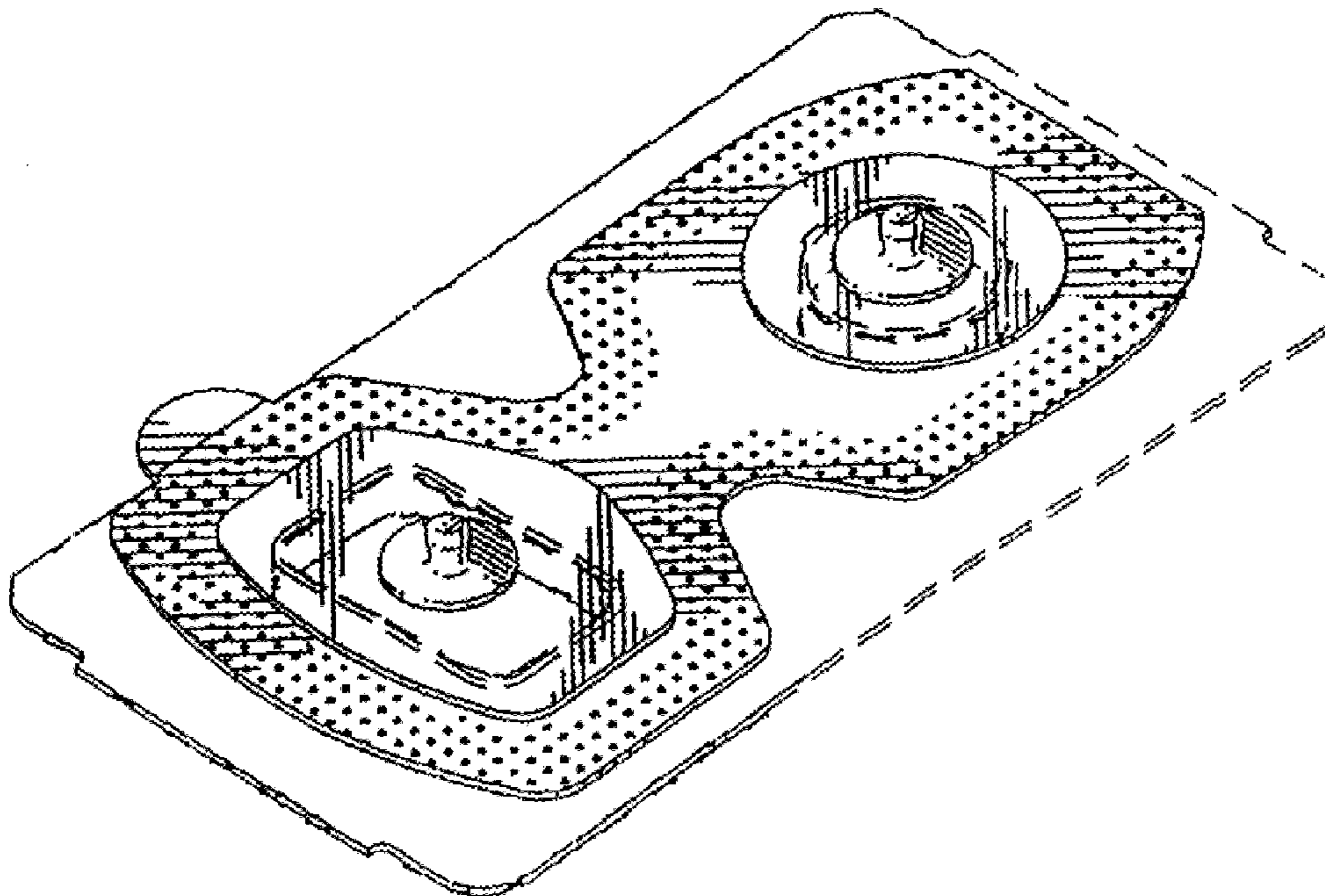
FIG. 5 is a second side view thereof;

FIG. 6 is a front view thereof;

FIG. 7 is a rear view thereof; and,

FIG. 8 is a top perspective view of the electrode of FIG. 1 mounted on the protective electrode carrier which is being shown in broken lines for illustrative purposes only and forming no part of the claimed design.

1 Claim, 3 Drawing Sheets



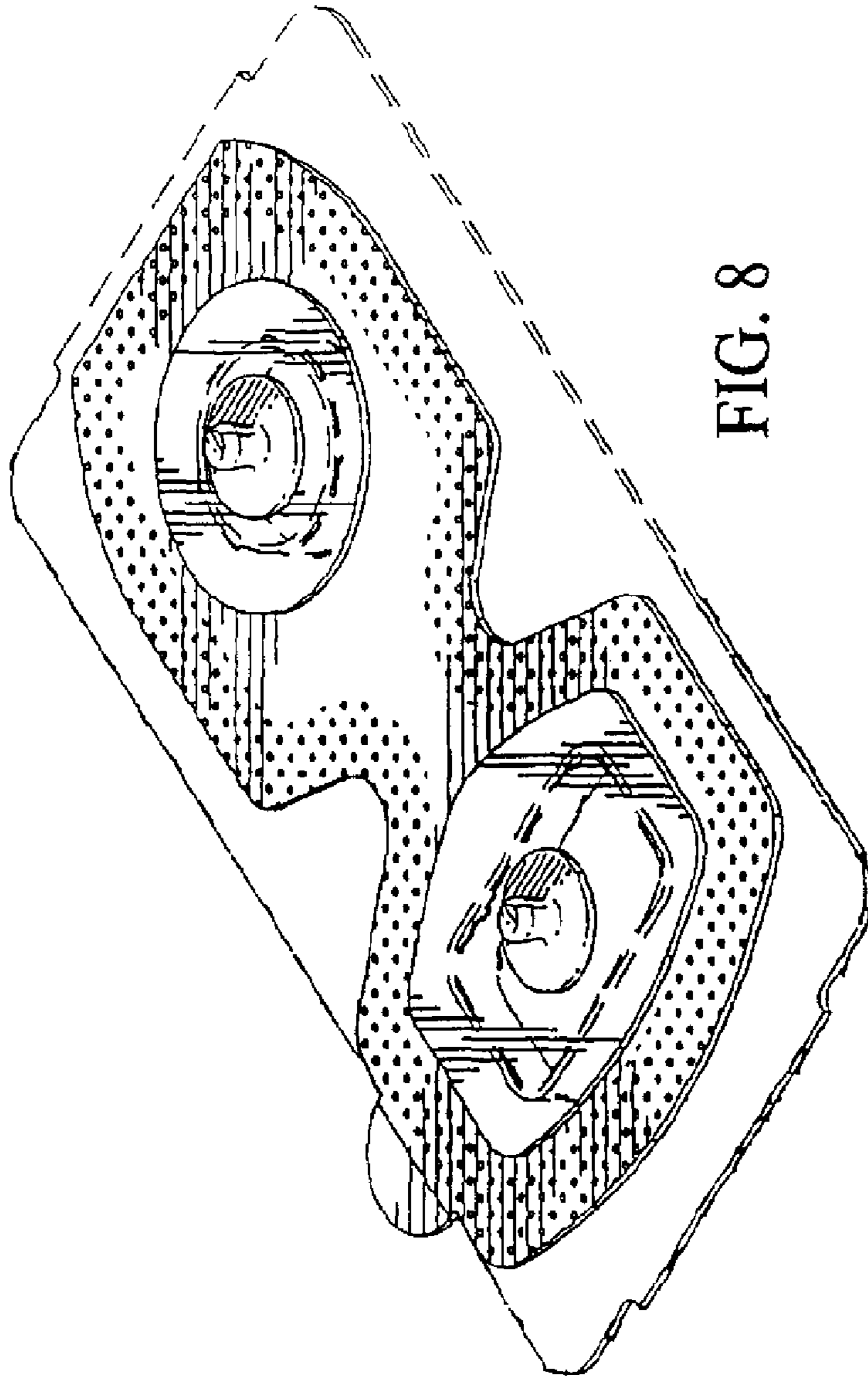


FIG. 8