



US00D475135S

(12) **United States Design Patent**  
**Howell et al.**

(10) **Patent No.: US D475,135 S**

(45) **Date of Patent: \*\* \*May 27, 2003**

(54) **DISPOSABLE SCALPEL**

(75) Inventors: **Glade Harold Howell**, Sandy, UT (US); **Simon Cohn**, North Arlington, NJ (US); **Charles Hwang**, Ridgewood, NJ (US); **John R. Montgomery**, Stanford, KY (US); **Paul DiCesare**, Easton, CT (US)

(73) Assignee: **Becton Dickinson and Company**, Franklin Lakes, NJ (US)

(\* ) Notice: This patent is subject to a terminal disclaimer.

(\*\*) Term: **14 Years**

(21) Appl. No.: **29/156,378**

(22) Filed: **Feb. 28, 2002**

**Related U.S. Application Data**

(63) Continuation-in-part of application No. 09/820,571, filed on Mar. 29, 2001.

(51) **LOC (7) Cl.** ..... **24-02**

(52) **U.S. Cl.** ..... **D24/147**

(58) **Field of Search** ..... D24/147, 146; 606/167, 162, 151; 30/339, 329, 335, 162

(56) **References Cited**

**U.S. PATENT DOCUMENTS**

3,748,736	A	*	7/1973	Eisen	.....	D24/146
3,906,626	A	*	9/1975	Riuli	.....	30/335
4,798,000	A	*	1/1989	Bedner et al.	.....	606/167
5,250,063	A	*	10/1993	Abidin et al.	.....	606/167
5,299,357	A	*	4/1994	Wonderley et al.	.....	30/335
5,417,704	A	*	5/1995	Wonderley	.....	30/335
5,868,771	A	*	2/1999	Herbert et al.	.....	30/162
5,938,676	A	*	8/1999	Cohn et al.	.....	606/167

\* cited by examiner

*Primary Examiner*—Ian Simmons

(74) *Attorney, Agent, or Firm*—James J. Murtha

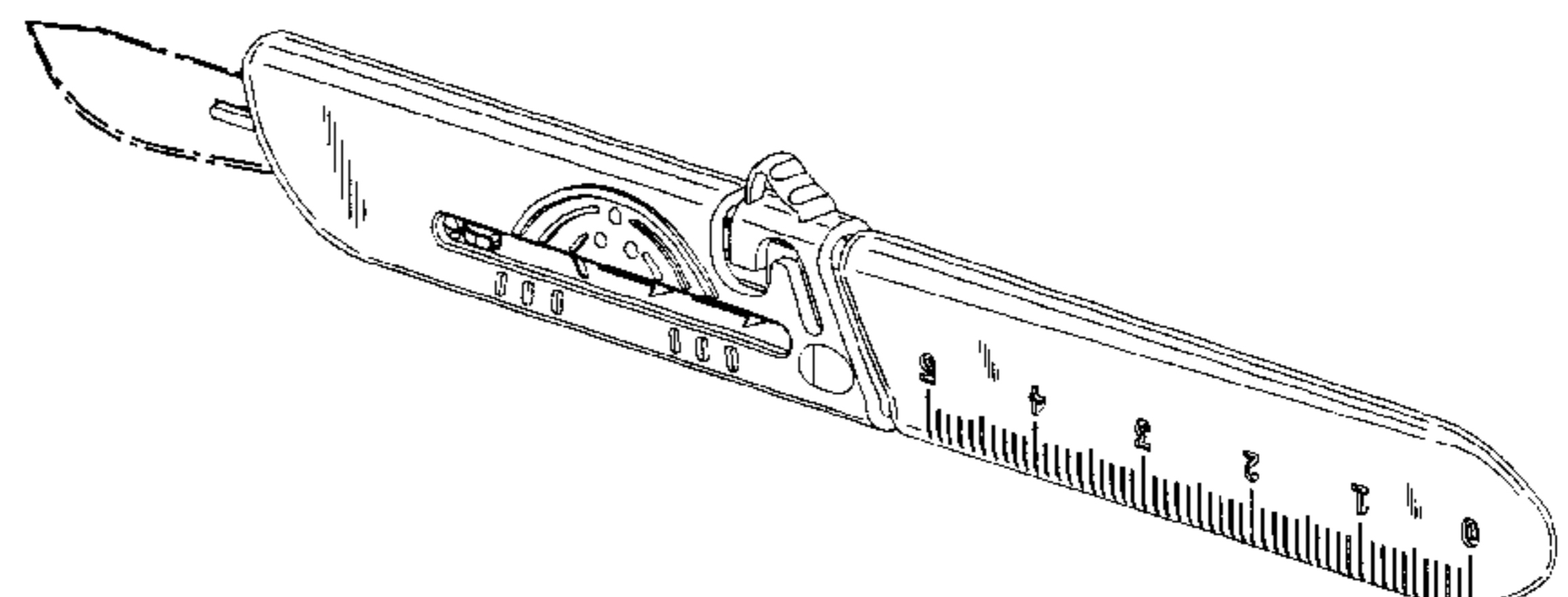
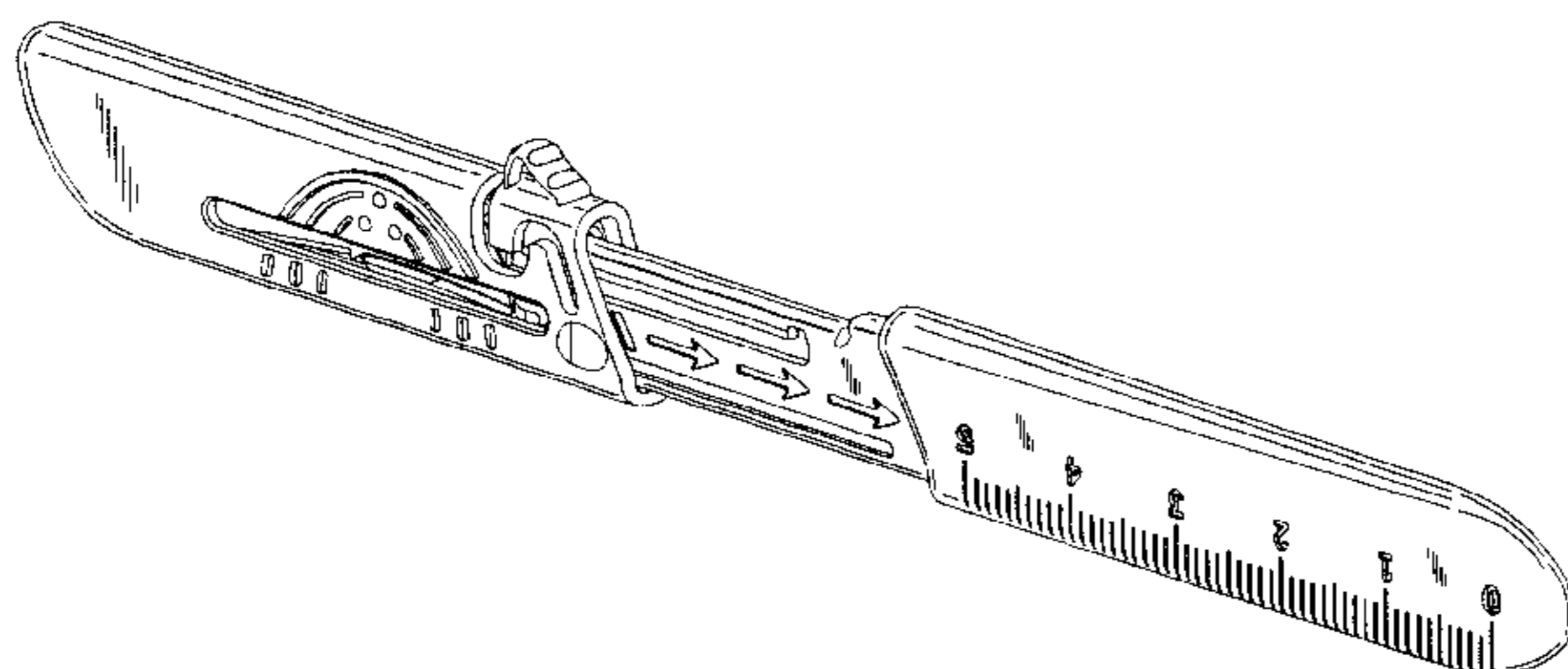
(57) **CLAIM**

The ornamental design of a disposable scalpel, as shown.

**DESCRIPTION**

FIG. 1 is a perspective view from a left, proximal end of the scalpel in a shielded position;  
 FIG. 2 is a perspective view from a right, proximal end of the scalpel of FIG. 1 in a shielded position;  
 FIG. 3 is a top elevation view of the scalpel of FIG. 1 in a shielded position;  
 FIG. 4 is a right side elevation view of the scalpel of FIG. 1 in a shielded position;  
 FIG. 5 is a left side elevation view of the scalpel of FIG. 1 in a shielded position;  
 FIG. 6 is a bottom elevation view of the scalpel of FIG. 1 in a shielded position;  
 FIG. 7 is an end elevation view of the scalpel of FIG. 1 as viewed from the left of FIG. 4 (shown in twice the scale of FIG. 1 for clarity's sake) in a shielded position;  
 FIG. 8 is an end elevation view of the scalpel of FIG. 1 as viewed from the right of FIG. 4 (shown in twice the scale of FIG. 1 for clarity's sake) in a shielded position;  
 FIG. 9 is a perspective view from a left, proximal end of the scalpel in a unshielded position;  
 FIG. 10 is a perspective view from a right, proximal end of the scalpel of FIG. 1 in a unshielded position;  
 FIG. 11 is a top elevation view of the scalpel of FIG. 1 in a unshielded position;  
 FIG. 12 is a right side elevation view of the scalpel of FIG. 1 in an unshielded position;  
 FIG. 13 is a left side elevation view of the scalpel of FIG. 1 in an unshielded position;  
 FIG. 14 is a bottom elevation view of the scalpel of FIG. 1 in an unshielded position;  
 FIG. 15 is an end elevation view of the scalpel of FIG. 1 as viewed from the left of FIG. 4 (shown in twice the scale of FIG. 1 for clarity's sake) in an unshielded position; and,  
 FIG. 16 is an end elevation view of the scalpel of FIG. 1 as viewed from the right of FIG. 4 (shown in twice the scale of FIG. 1 for clarity's sake) in an unshielded position.  
 The broken line shown in FIGS. 9 through 15 of the scalpel blade is for illustrative purposes only and forms no part of the claimed invention.

**1 Claim, 10 Drawing Sheets**



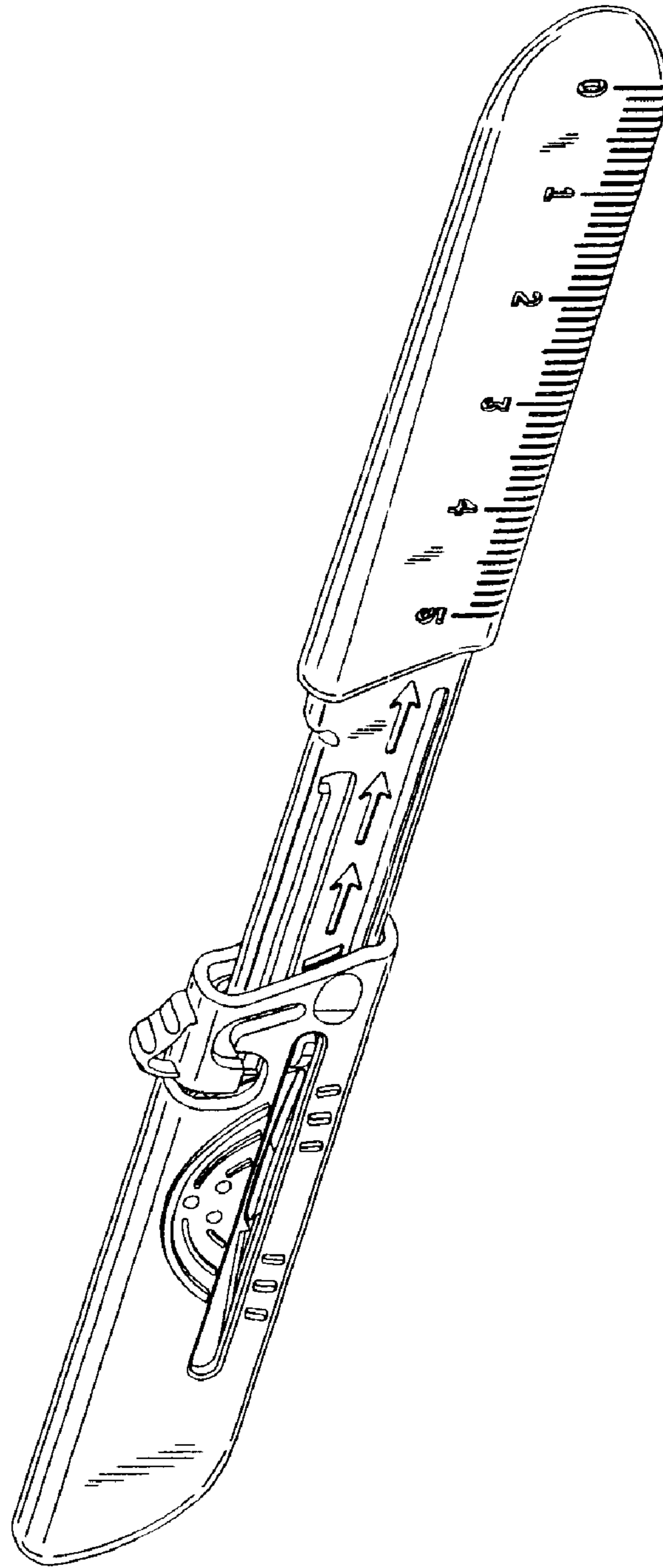


FIG. 1

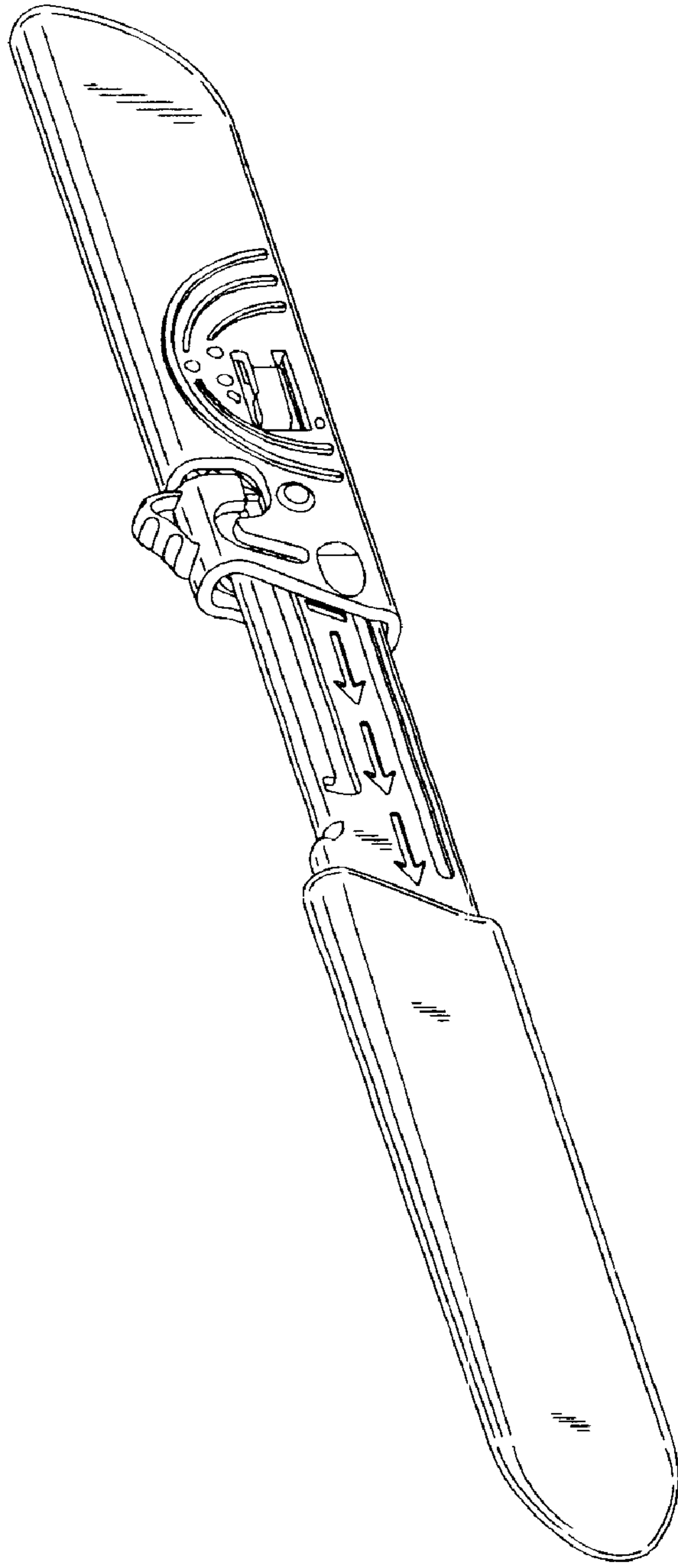


FIG. 2

FIG. 3

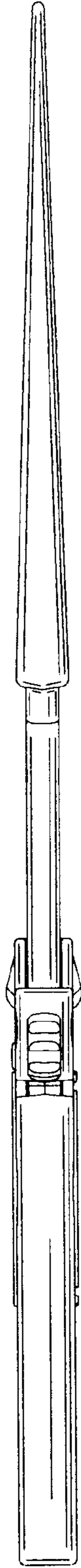


FIG. 4

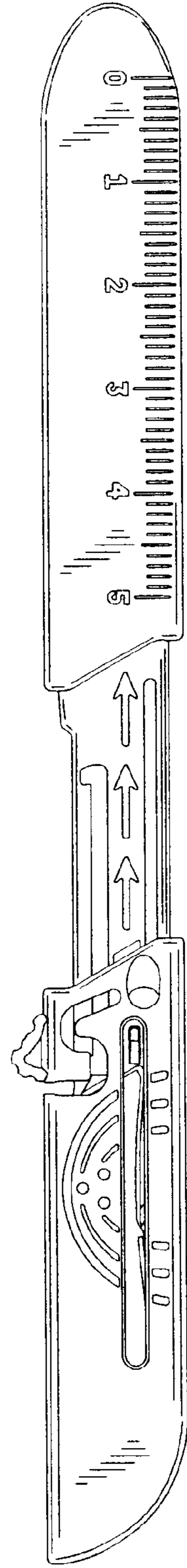


FIG. 5

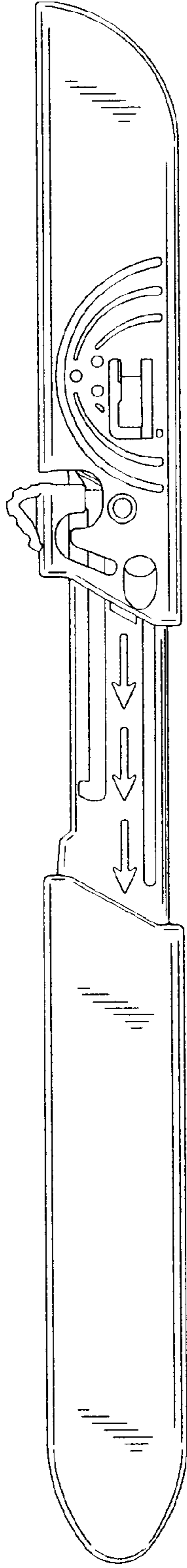


FIG. 6

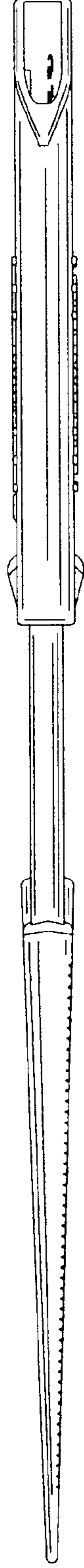


FIG. 7

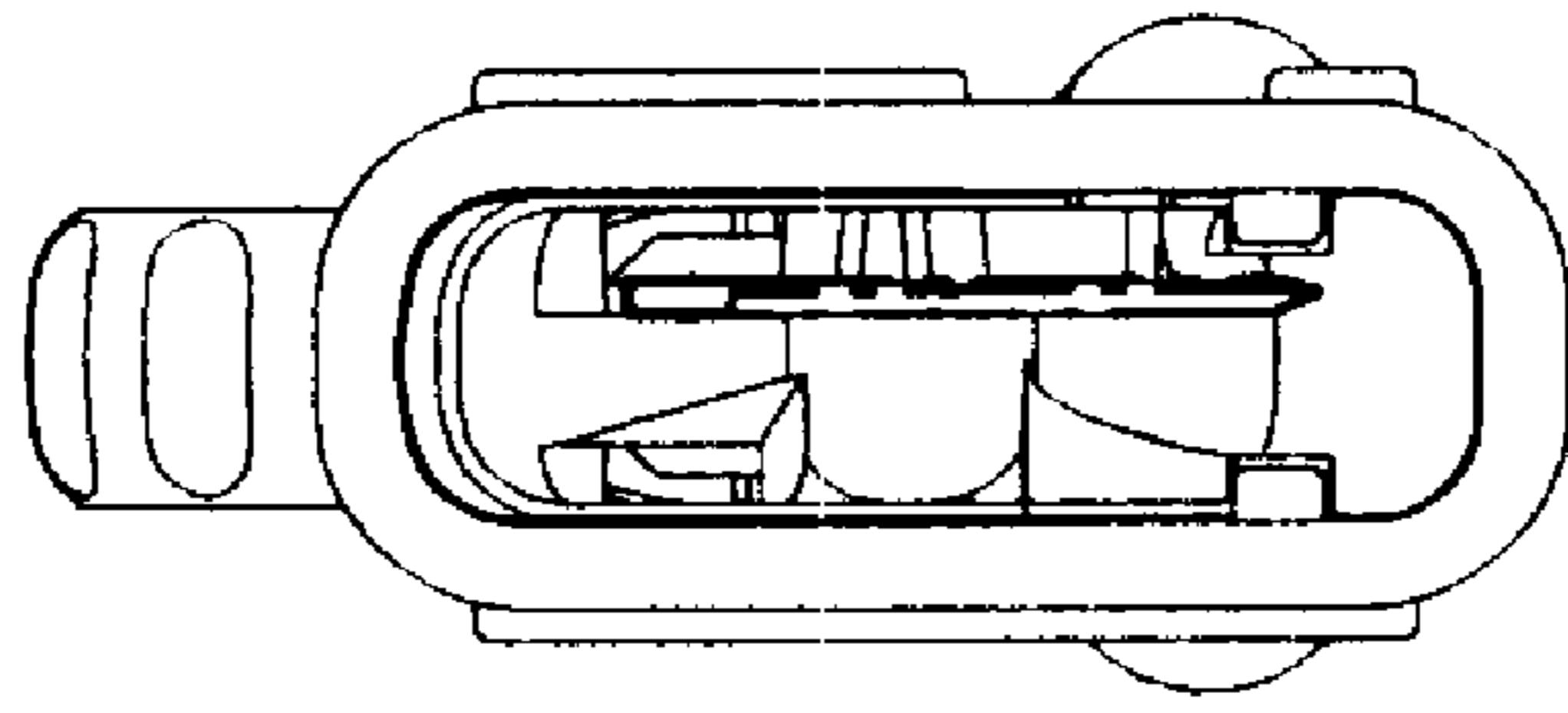
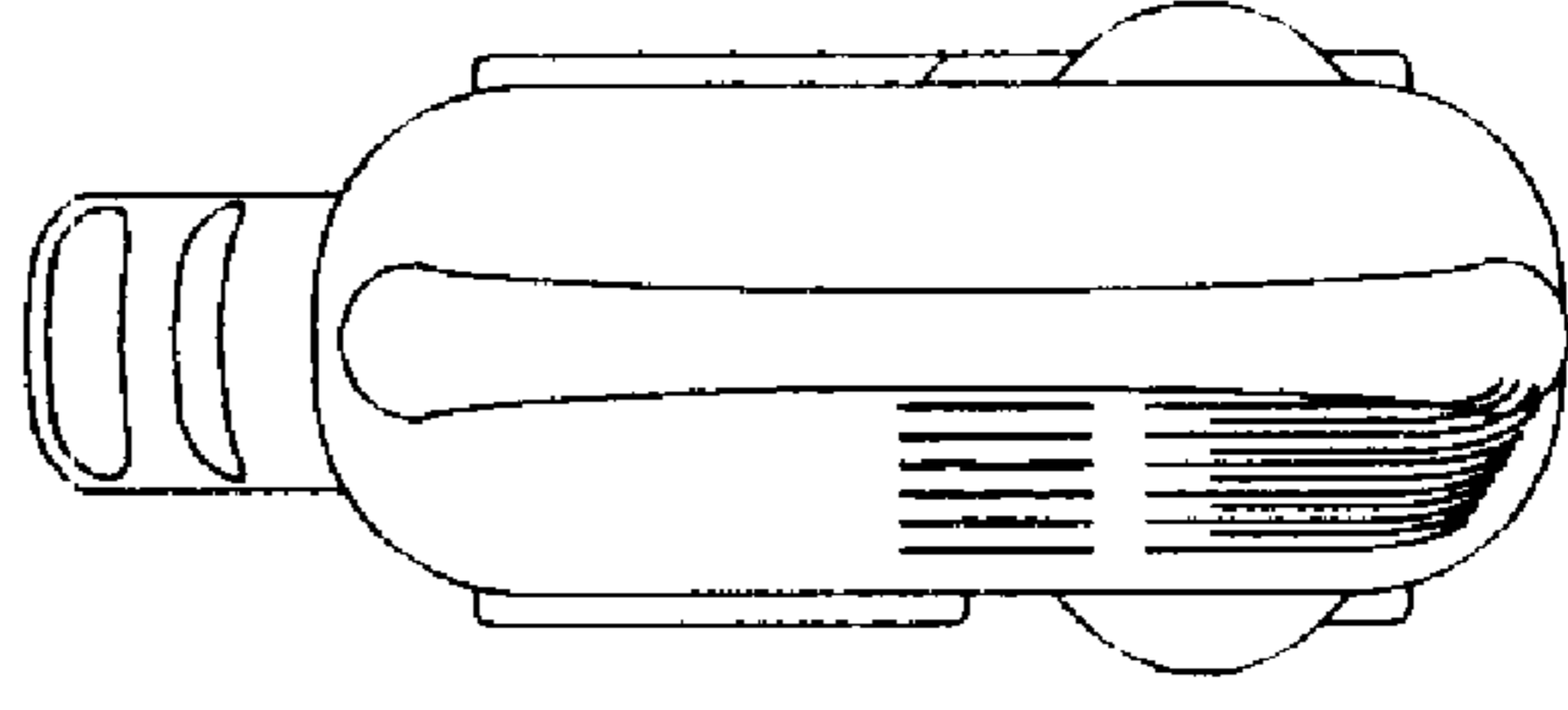


FIG. 8





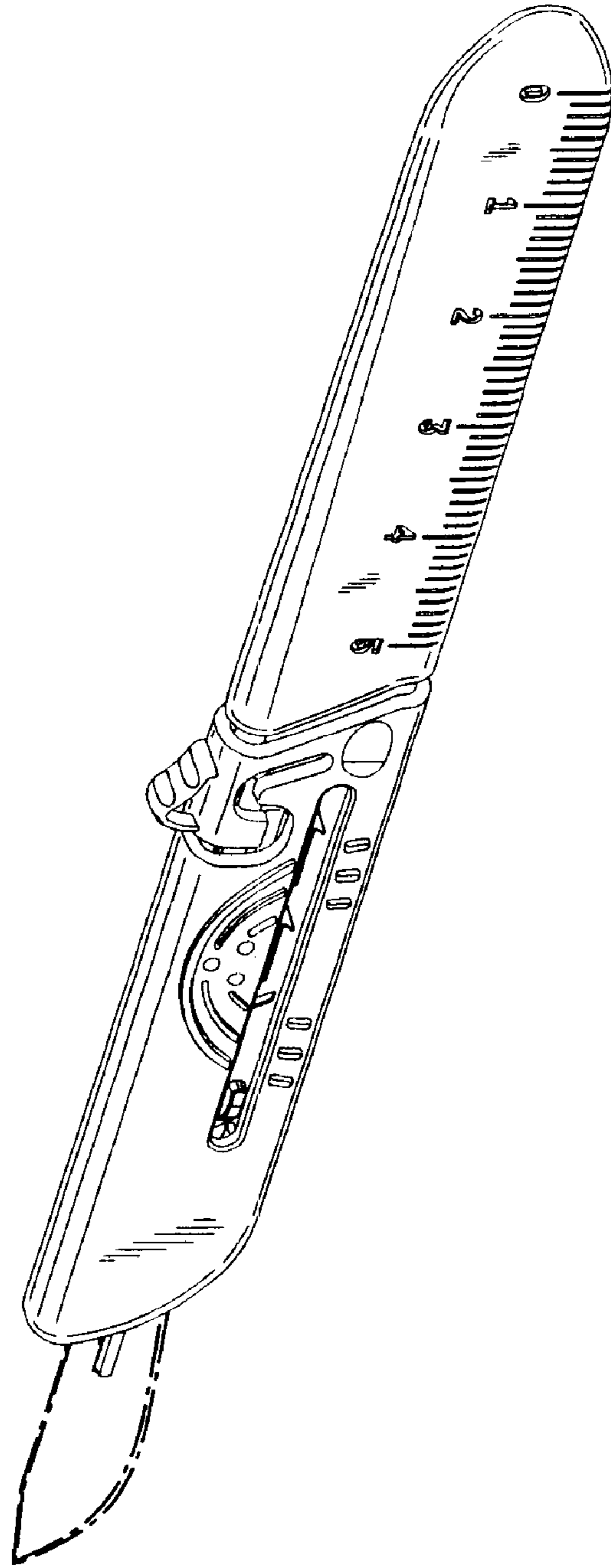


FIG. 9

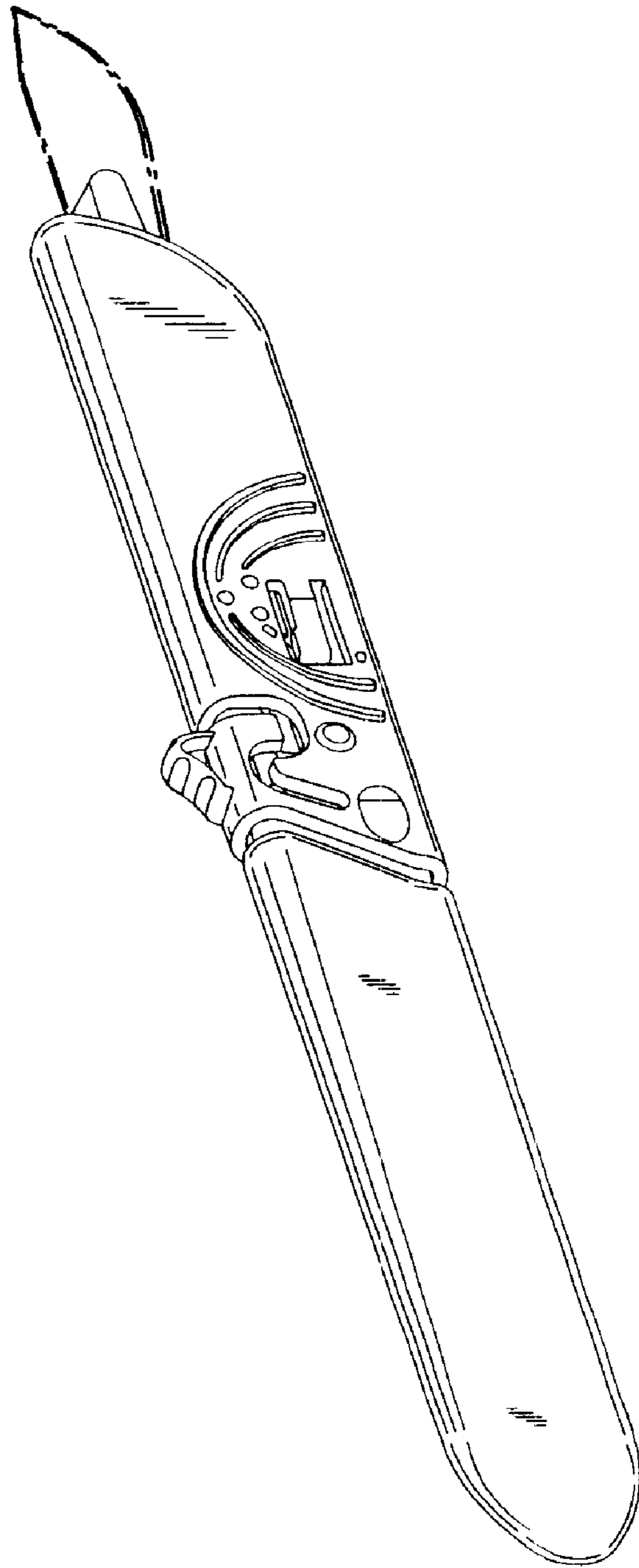


FIG. 10



FIG. 11

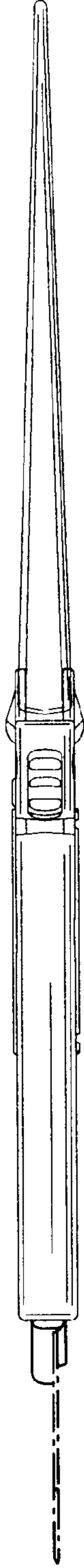


FIG. 12

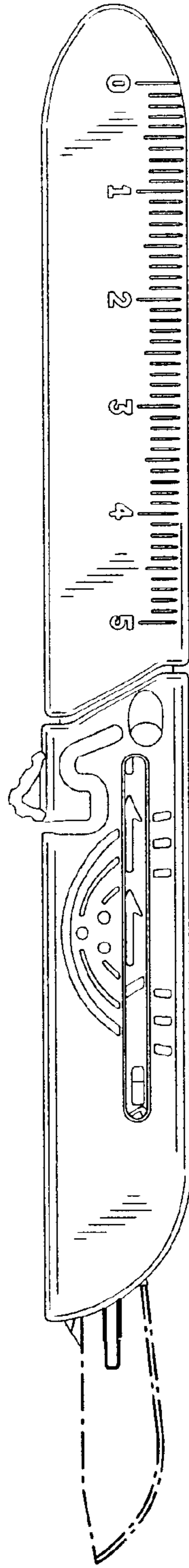


FIG. 13

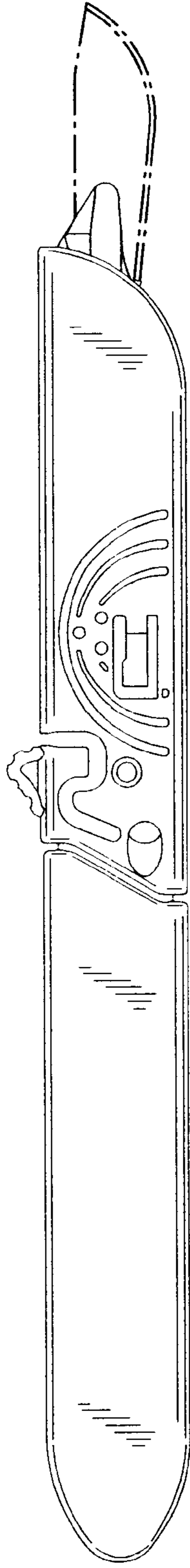


FIG. 14

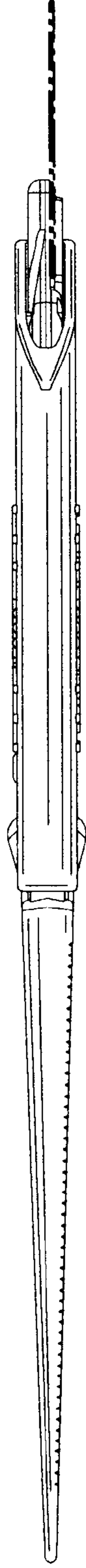


FIG. 15

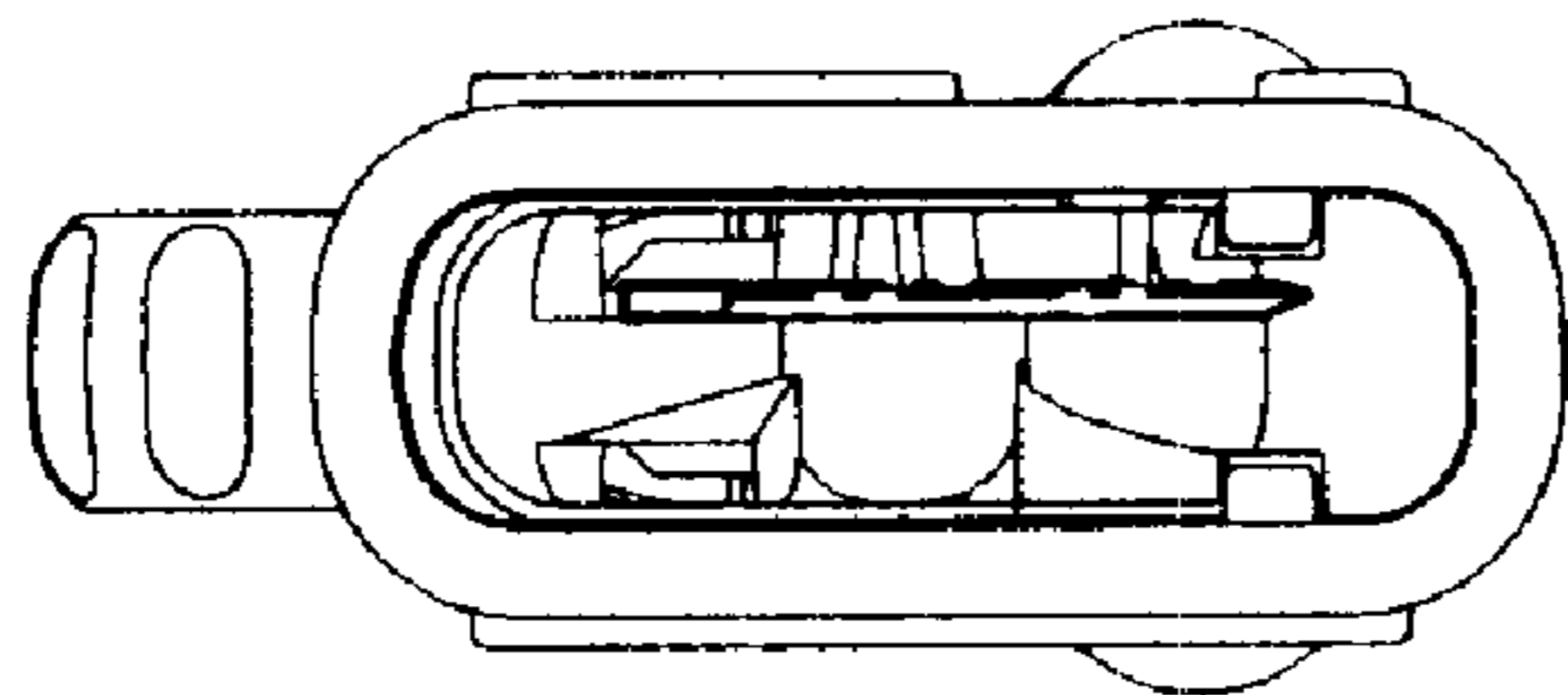


FIG. 16

