



US00D475133S

(12) **United States Design Patent**
McLuckie

(10) **Patent No.:** **US D475,133 S**

(45) **Date of Patent:** **** May 27, 2003**

(54) **LUMINESCENT-COLORED INHALER**

(76) **Inventor:** **Lynne E. McLuckie**, 34 Kanross Rd.,
Apt. 12, Brighton, MA (US) 02135

(**) **Term:** **14 Years**

(21) **Appl. No.:** **29/159,344**

(22) **Filed:** **Apr. 18, 2002**

(51) **LOC (7) Cl.** **29-02**

(52) **U.S. Cl.** **D24/110**

(58) **Field of Search** D24/110; 128/200.23,
128/205.23, 204.21, 203.22, 200.14, 203.15

(56) **References Cited**

U.S. PATENT DOCUMENTS

D311,443 S	*	10/1990	Long et al.	D24/110
5,060,643 A	*	10/1991	Rich et al.	128/200.23
5,809,997 A	*	9/1998	Wolf	128/200.23
6,029,659 A	*	2/2000	O'Connor	128/203.15
D433,502 S	*	11/2000	Rand	D24/110

6,202,642 B1 * 3/2001 McKinnon et al. 128/200.23

* cited by examiner

Primary Examiner—Ian Simmons

(74) *Attorney, Agent, or Firm*—Dale J. Ream

(57) **CLAIM**

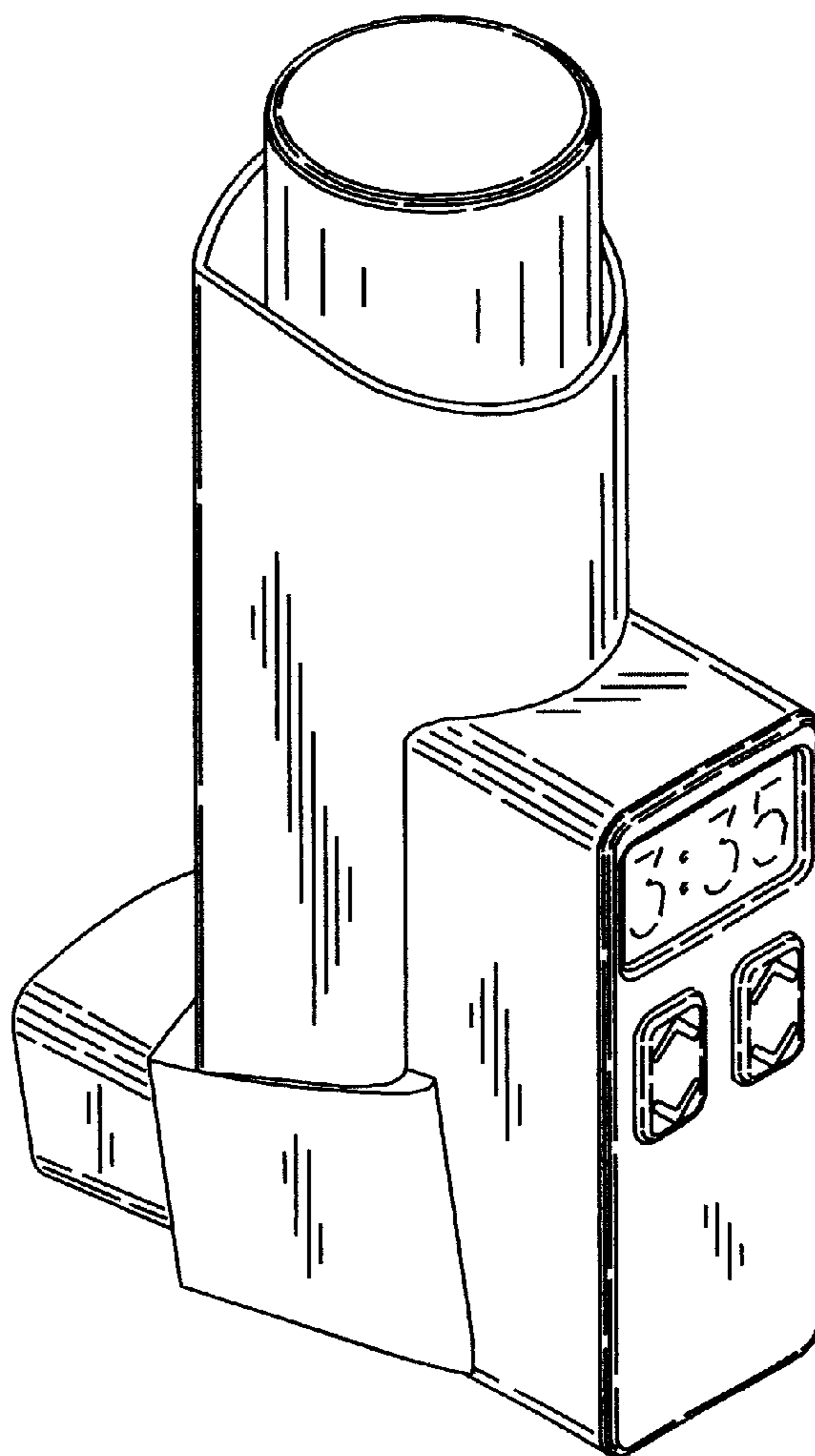
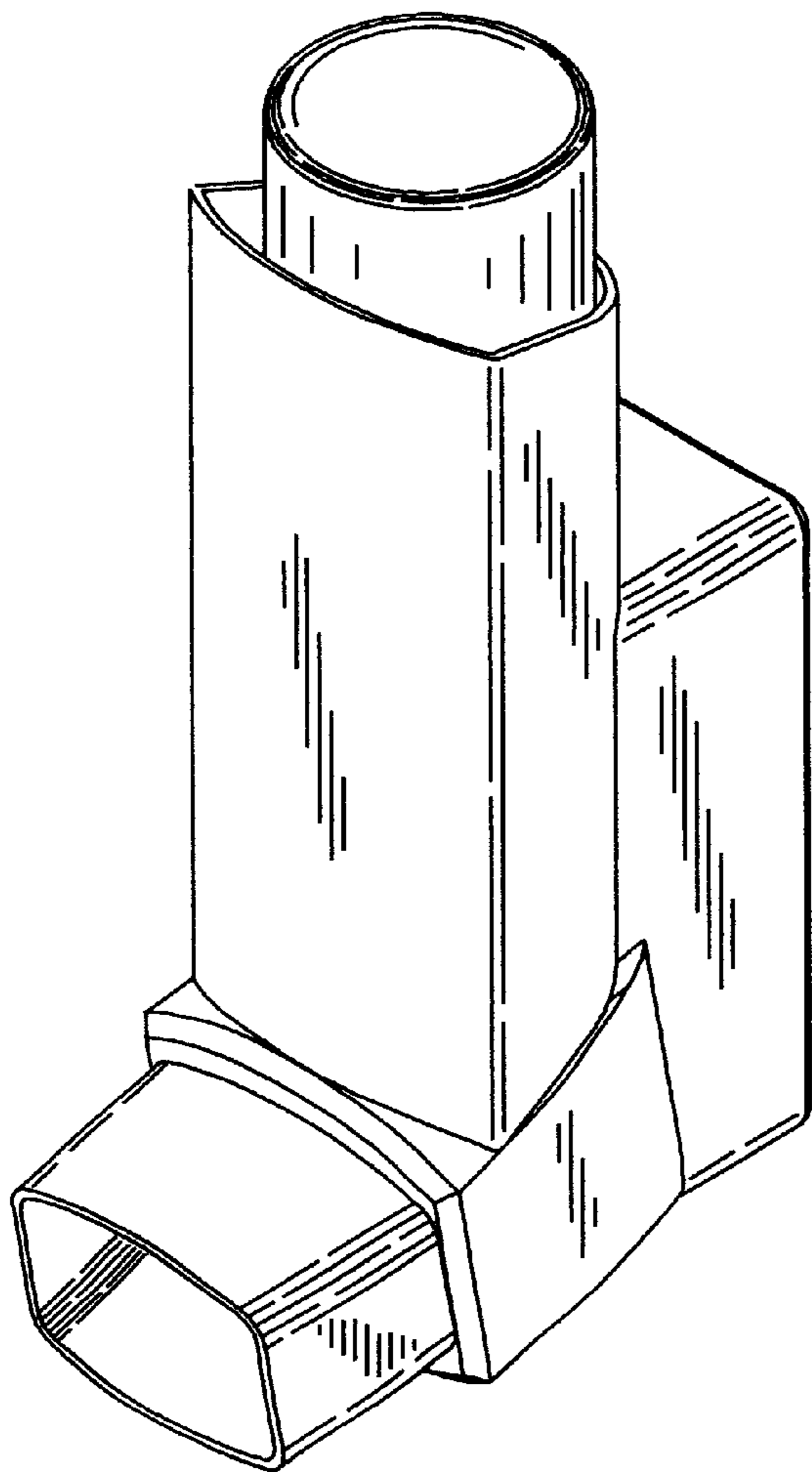
The ornamental design for a luminescent-colored inhaler, as shown and described.

DESCRIPTION

FIG. 1 is a front perspective view of a luminescent-colored inhaler showing my new design; FIG. 2 is a rear perspective view thereof; FIG. 3 is a top view thereof; FIG. 4 is a bottom view thereof; FIG. 5 is a right side view thereof; FIG. 6 is a left side view thereof; FIG. 7 is a rear view thereof; and, FIG. 8 is a front view thereof.

The broken line showing in FIGS. 2 and 7 are for illustrative purposes only and forms no part of the claimed design.

1 Claim, 7 Drawing Sheets



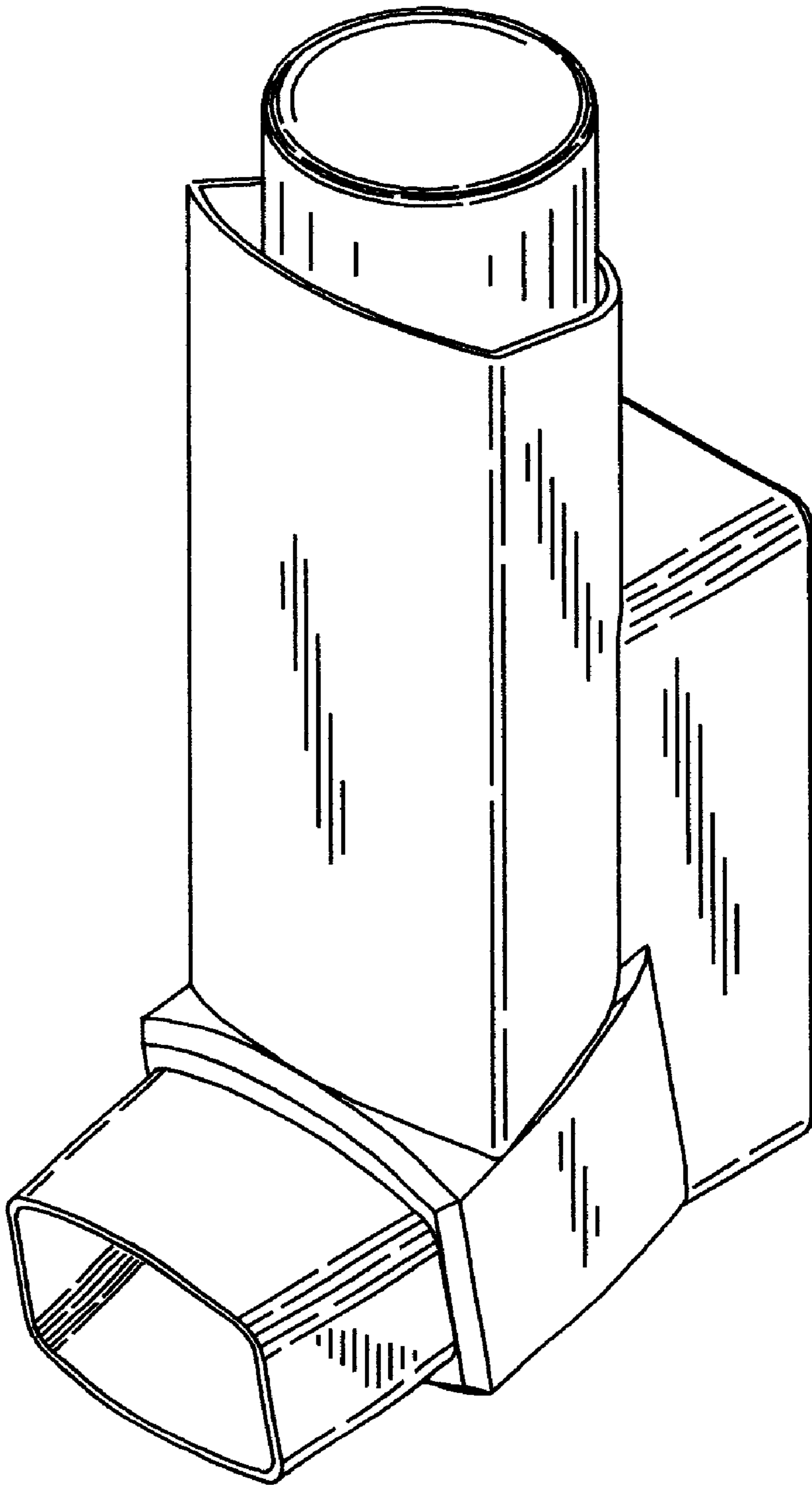


FIG. 1

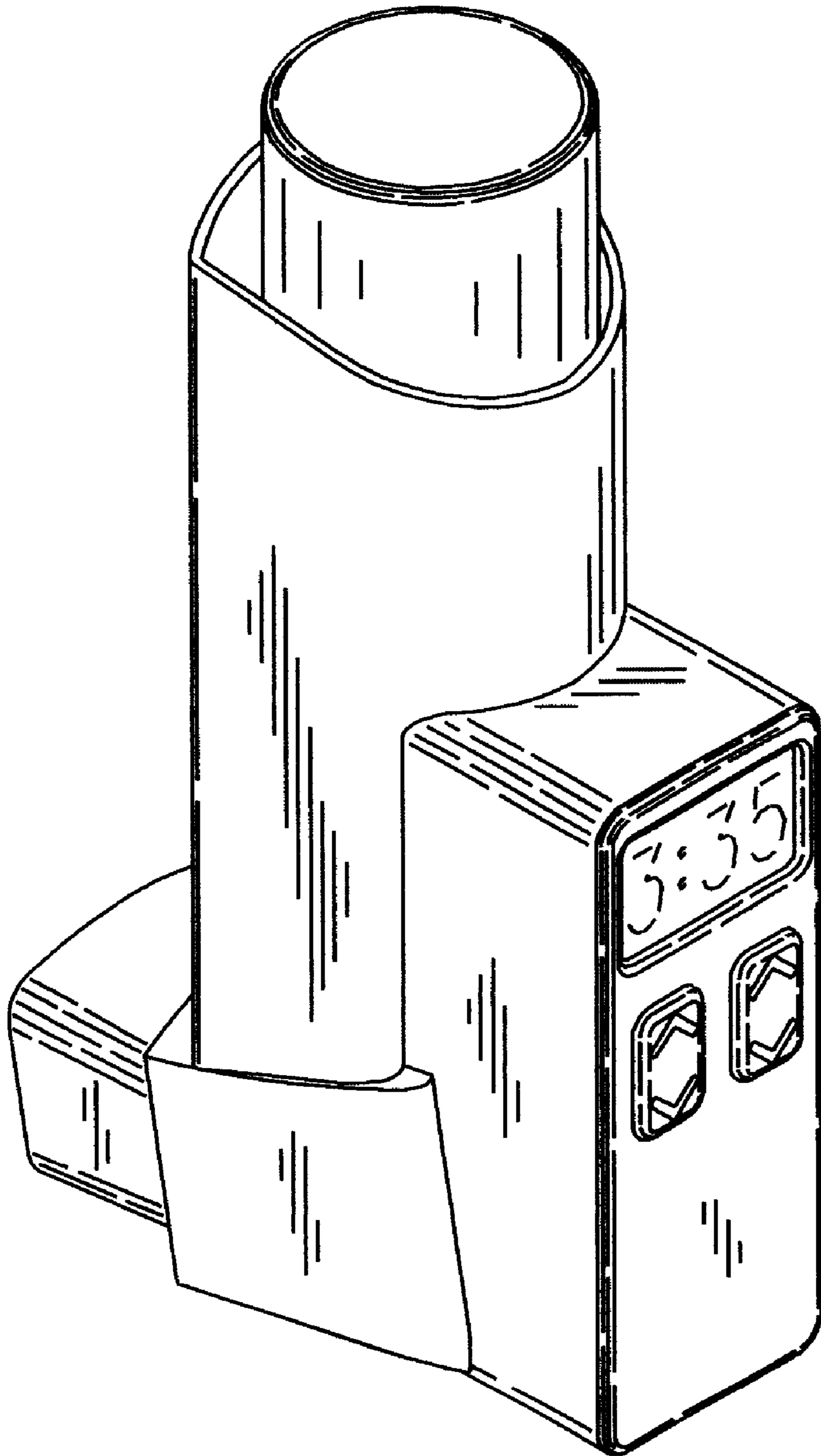


FIG. 2

FIG. 3

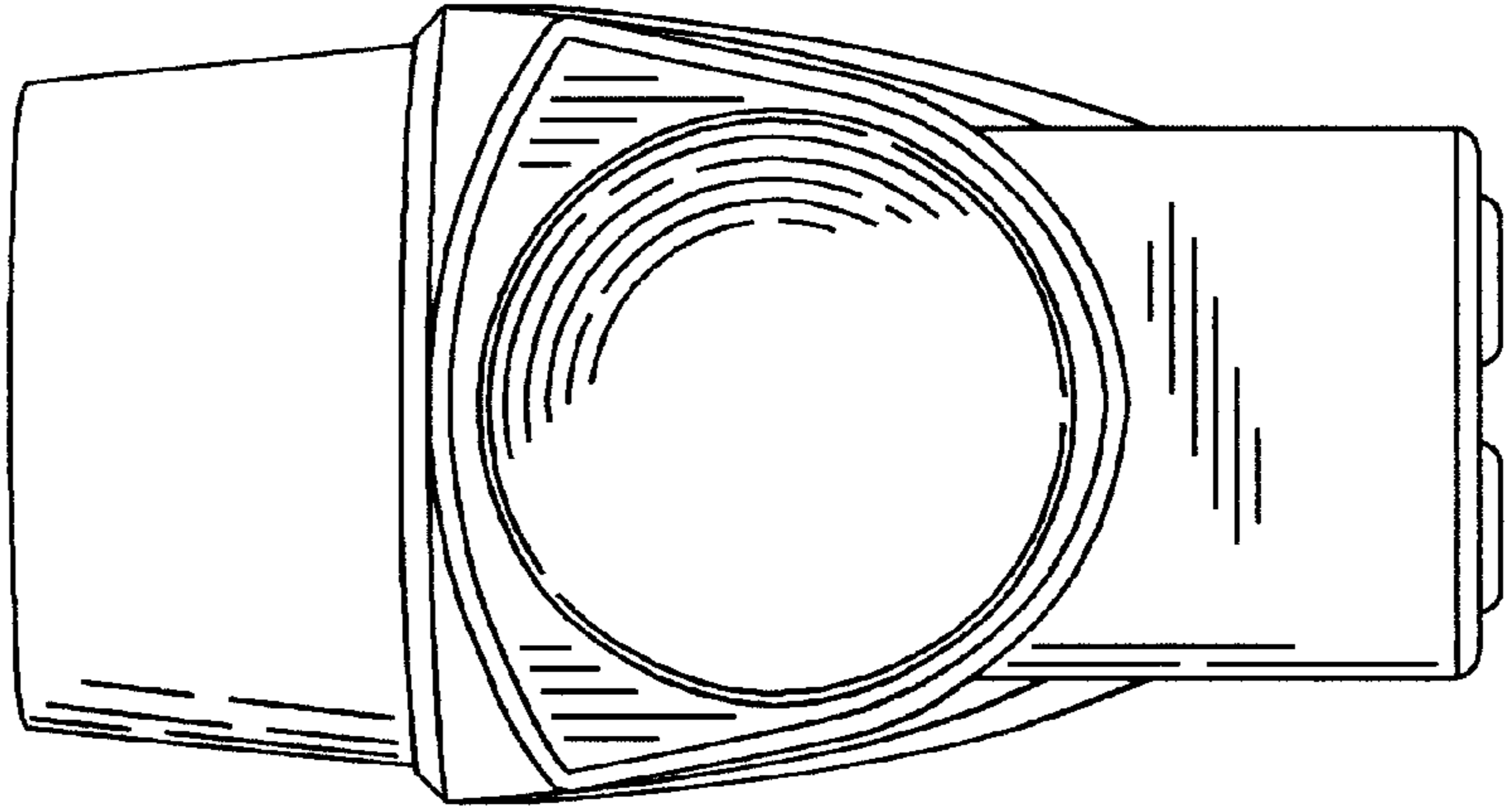
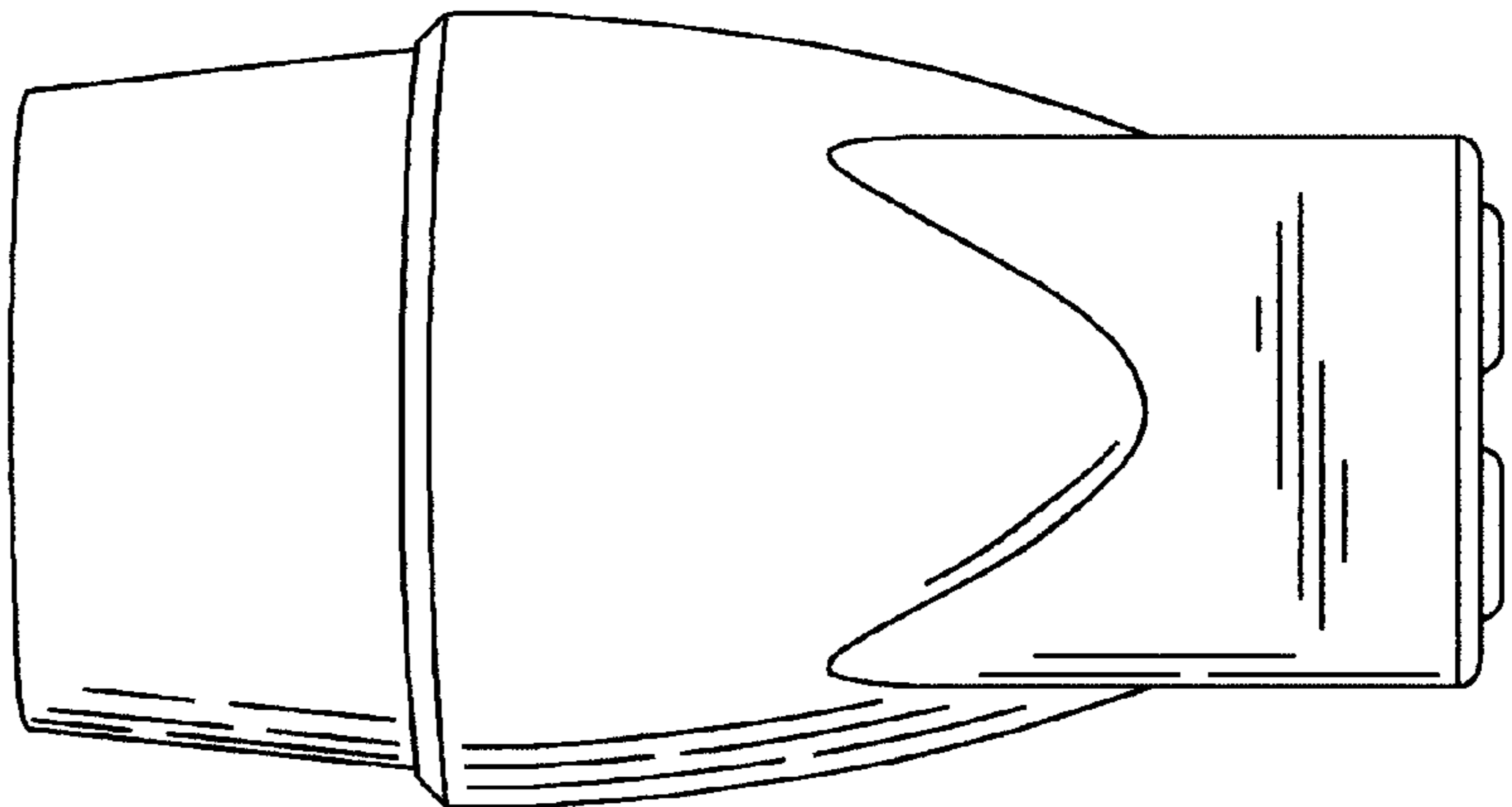


FIG. 4



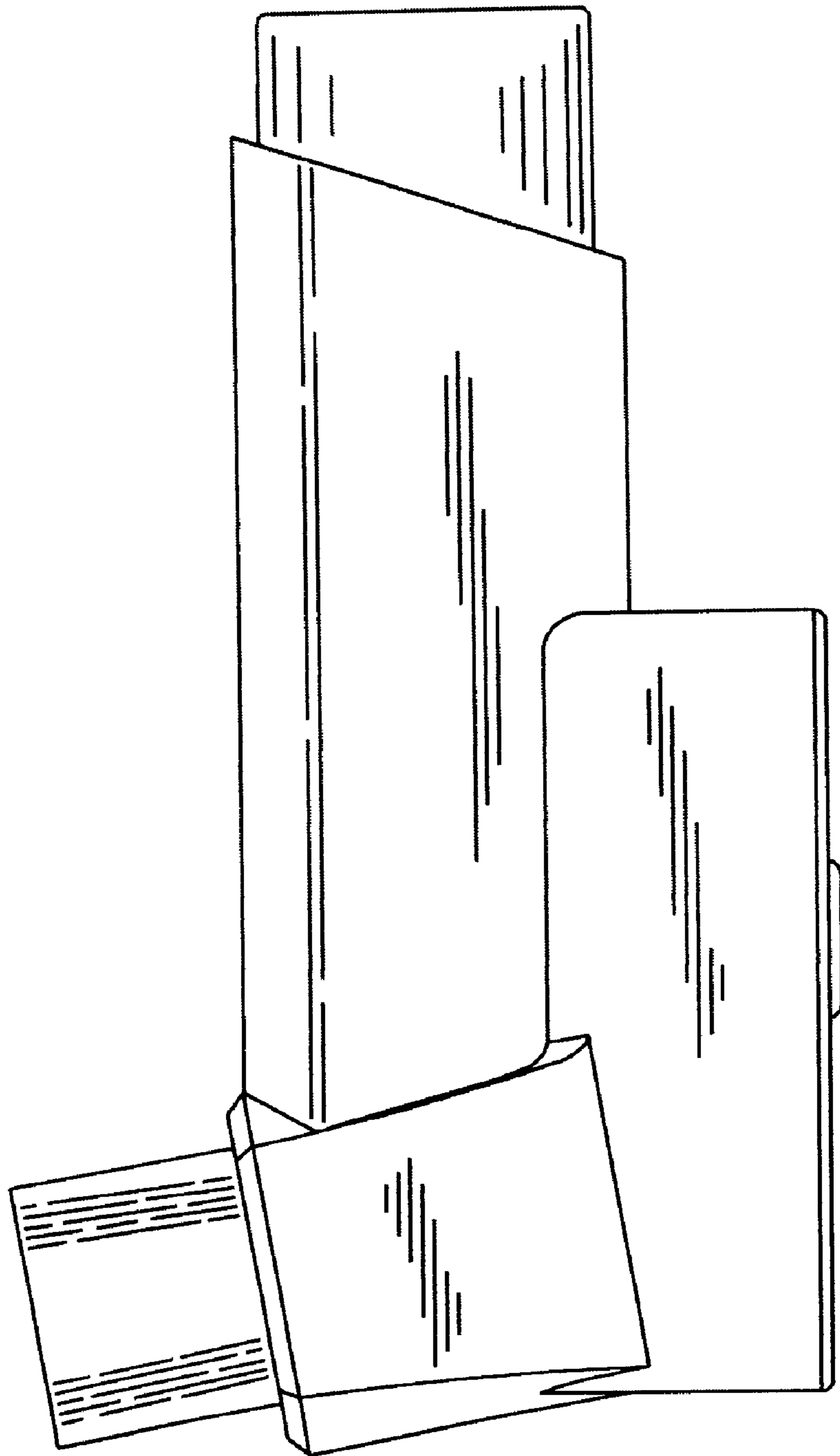


FIG. 5

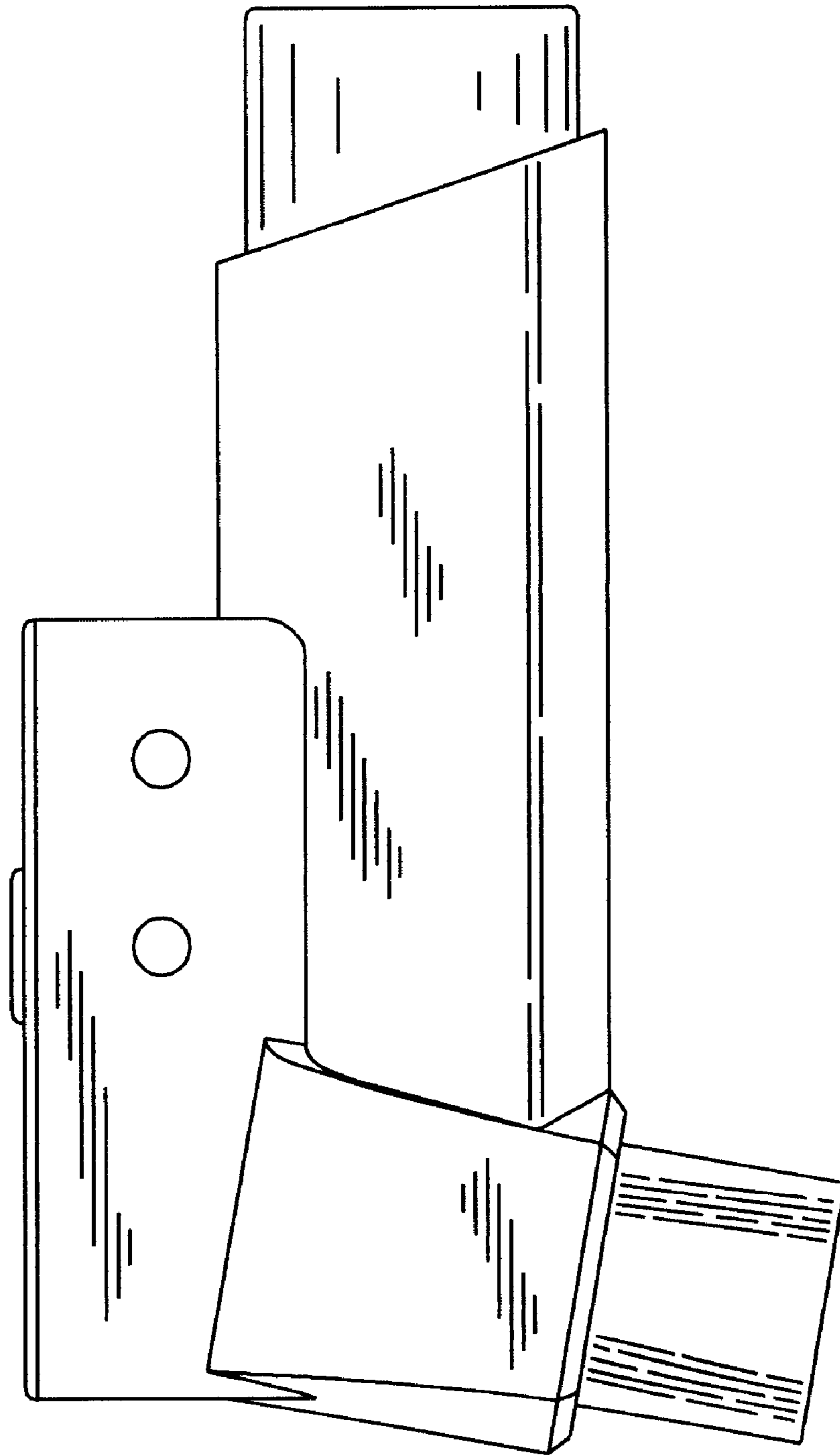


FIG. 6

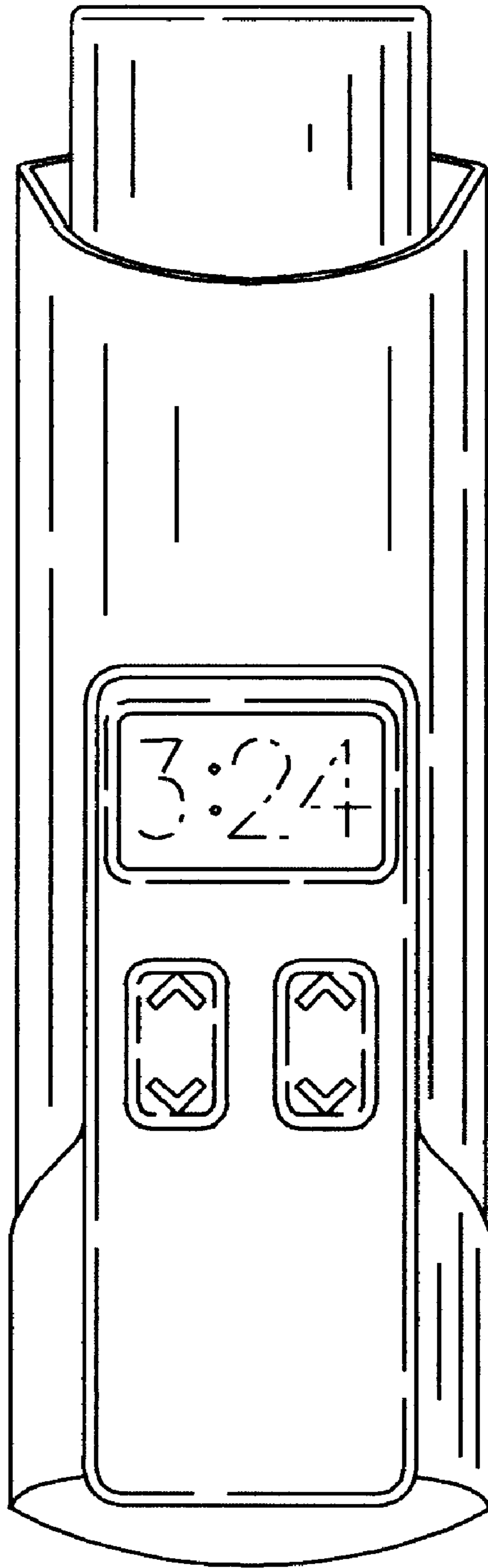


FIG. 7

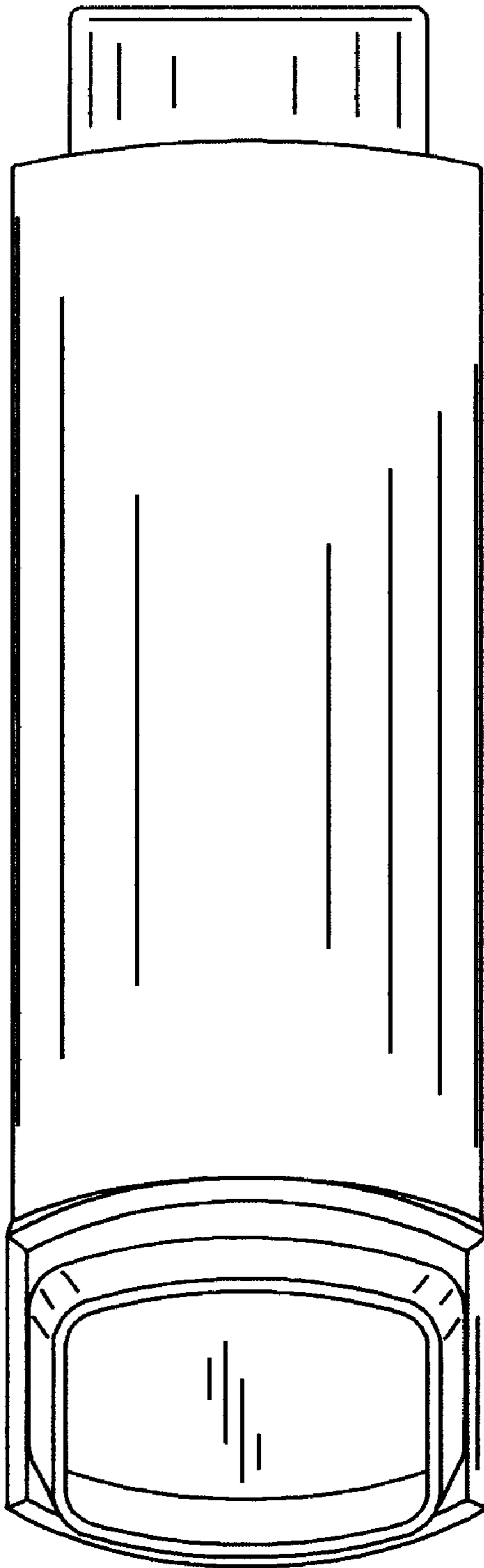


FIG. 8

UNITED STATES PATENT AND TRADEMARK OFFICE
CERTIFICATE OF CORRECTION

PATENT NO. : Des. 475,133 S
DATED : May 27, 2003
INVENTOR(S) : Lynne E. McLuckie

Page 1 of 1

It is certified that error appears in the above-identified patent and that said Letters Patent is hereby corrected as shown below:

Title page,

Item [75], inventor's address, change "34 Kanross Rd.," into -- 34 Kinross Rd. --.

Signed and Sealed this

Fifteenth Day of July, 2003

A handwritten signature in black ink, appearing to read "James E. Rogan", written over a horizontal line.

JAMES E. ROGAN

Director of the United States Patent and Trademark Office