



US00D475132S

(12) **United States Design Patent**
Randolph

(10) **Patent No.:** **US D475,132 S**

(45) **Date of Patent:** **** May 27, 2003**

- (54) **WOUND DRAINAGE CANISTER**
- (75) Inventor: **L. Tab Randolph**, San Antonio, TX
(US)
- (73) Assignee: **KCI Licensing, Inc.**, San Antonio, TX
(US)
- (**) Term: **14 Years**
- (21) Appl. No.: **29/163,046**
- (22) Filed: **Jun. 26, 2002**
- (51) **LOC (7) Cl.** **24-01**
- (52) **U.S. Cl.** **D24/108**
- (58) **Field of Search** D24/108, 111,
D24/121; 604/322, 319, 317, 318, 35, 34,
320, 119, 30; 600/573

- 6,352,525 B1 * 3/2002 Wakabayashi 604/322
- 6,368,310 B1 * 4/2002 Bemis et al. 604/319
- D469,175 S * 1/2003 Hall et al. D24/108

* cited by examiner

Primary Examiner—Ian Simmons
(74) *Attorney, Agent, or Firm*—Nadeem G. Bridi

(57) **CLAIM**

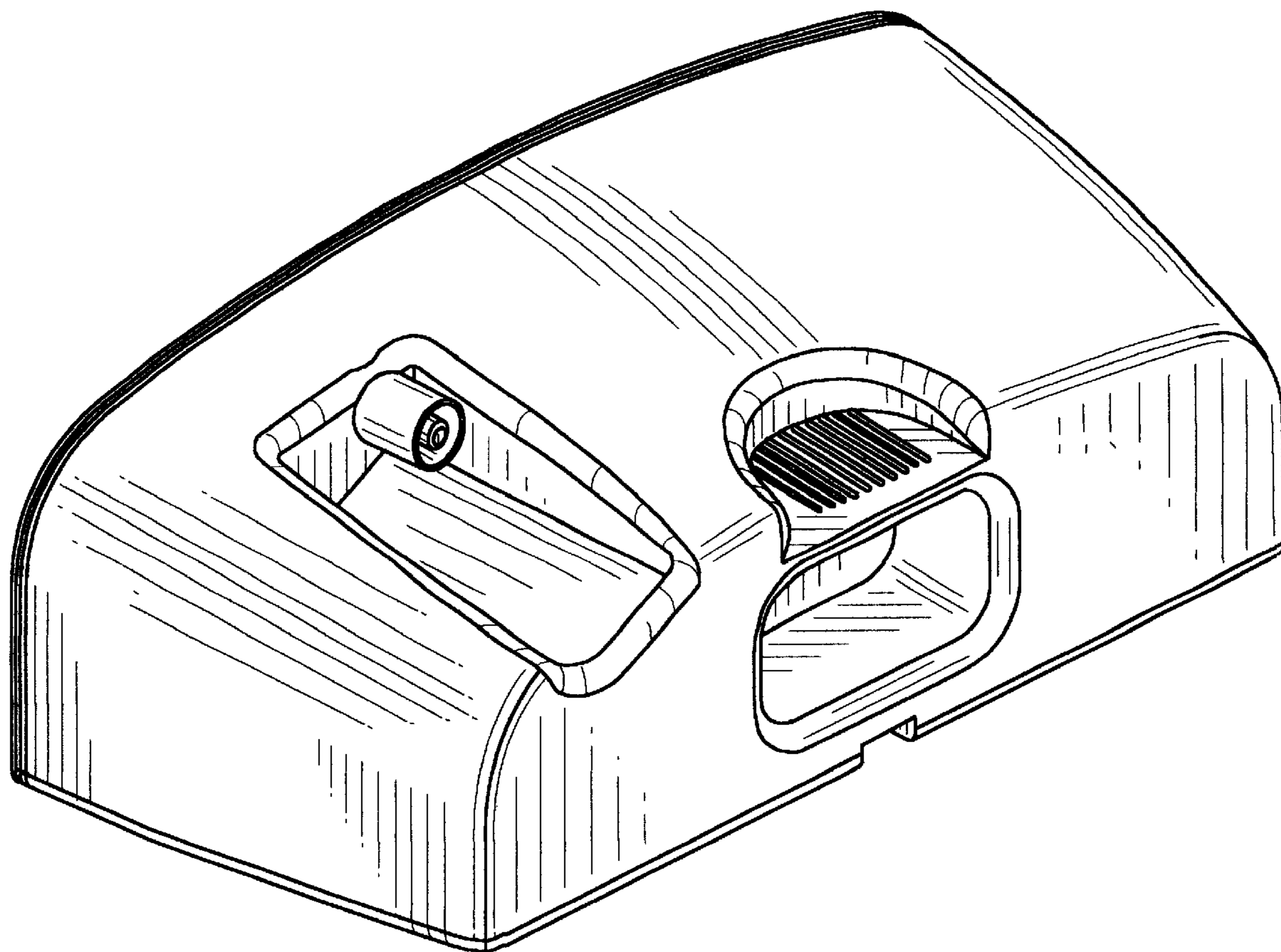
The ornamental design for a wound drainage canister, as shown and described.

DESCRIPTION

FIG. 1 is a perspective view of a wound drainage canister showing my new design;
FIG. 2 is a top plan view thereof;
FIG. 3 is a bottom plan view thereof;
FIG. 4 is a right side elevational view thereof;
FIG. 5 is a rear elevational view thereof;
FIG. 6 is a left side elevational view thereof; and,
FIG. 7 is a front elevational view thereof.

- (56) **References Cited**
U.S. PATENT DOCUMENTS
4,735,610 A * 4/1988 Akkas et al. 604/119

1 Claim, 3 Drawing Sheets



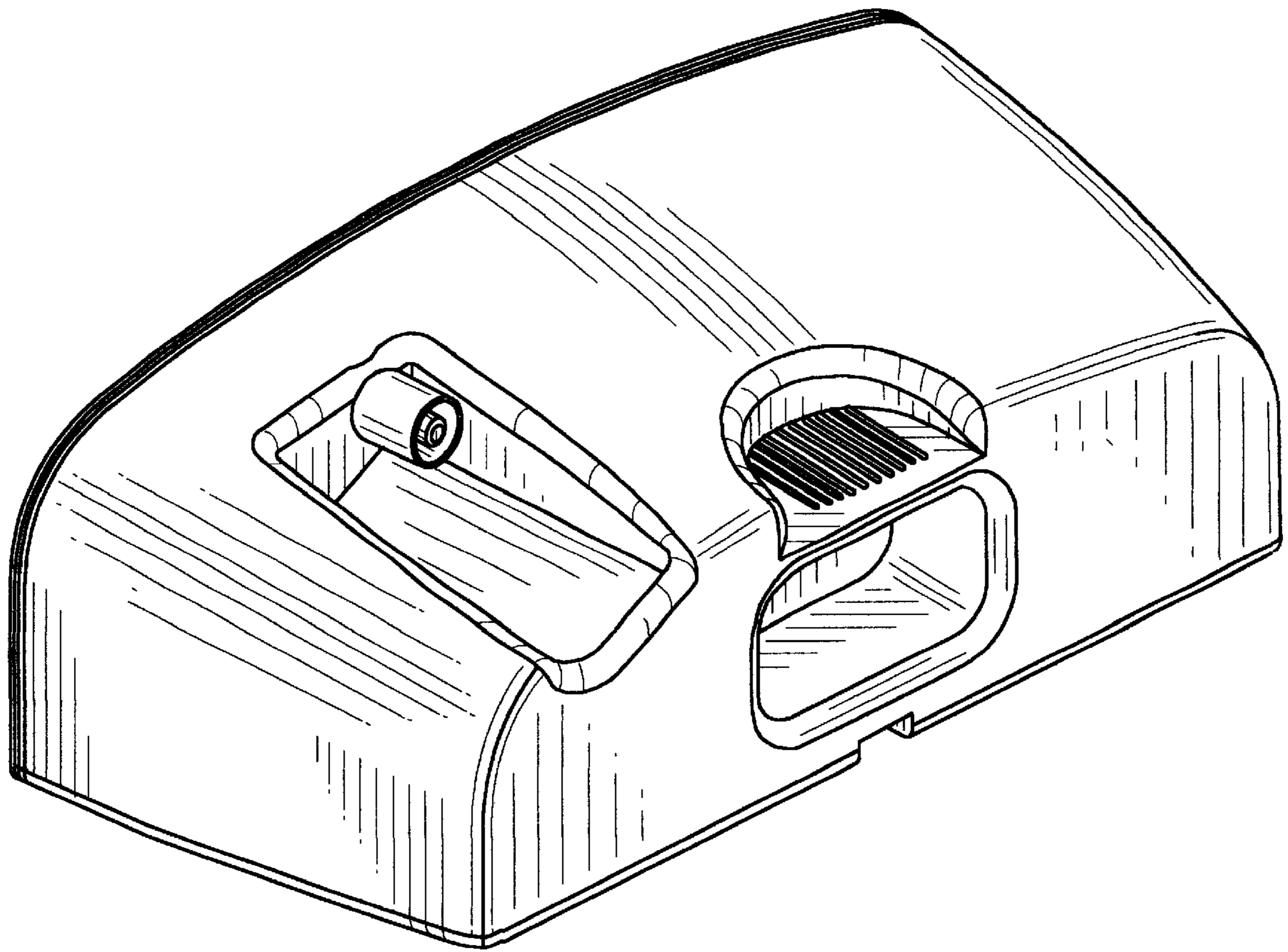


Fig. 1

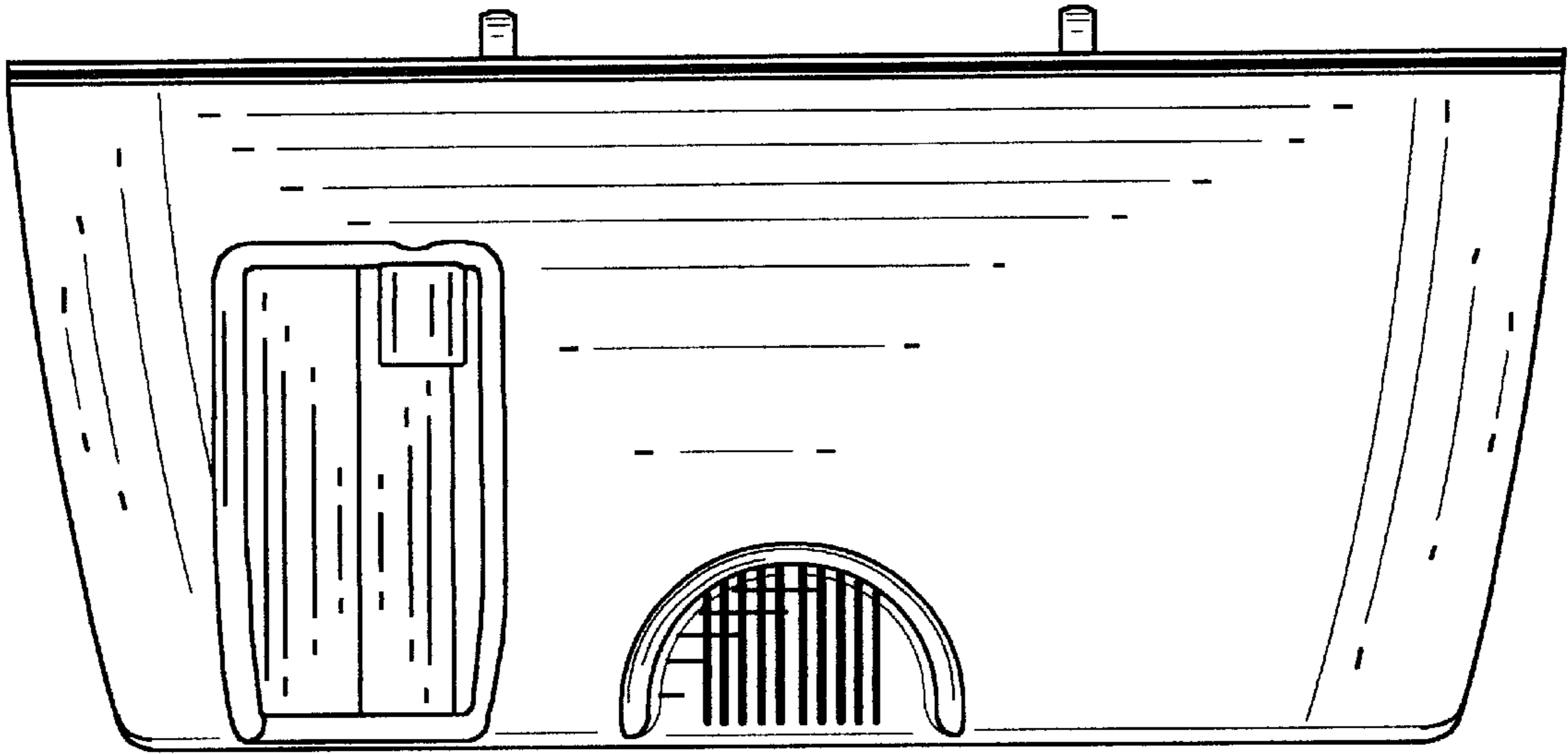


Fig. 2

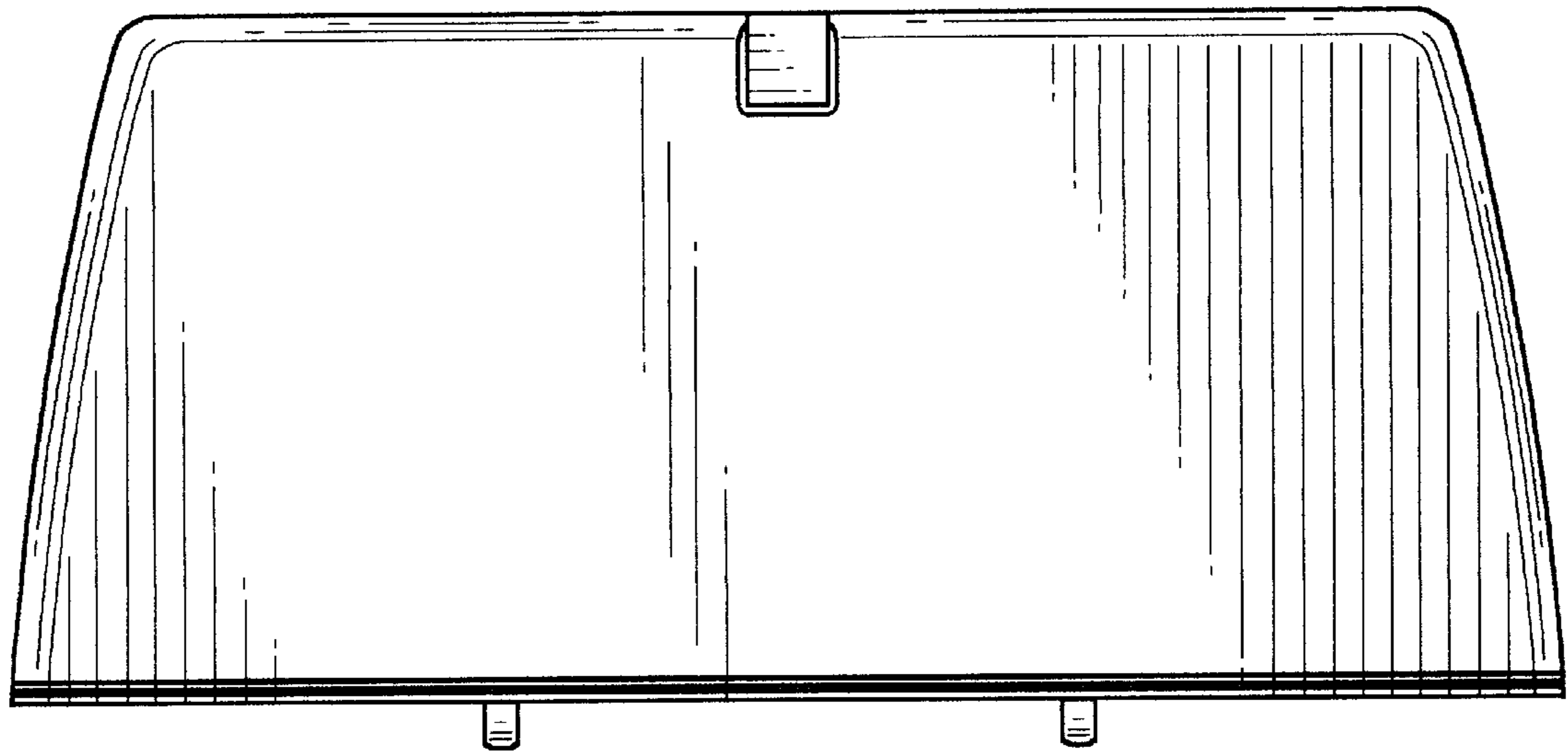


Fig. 3

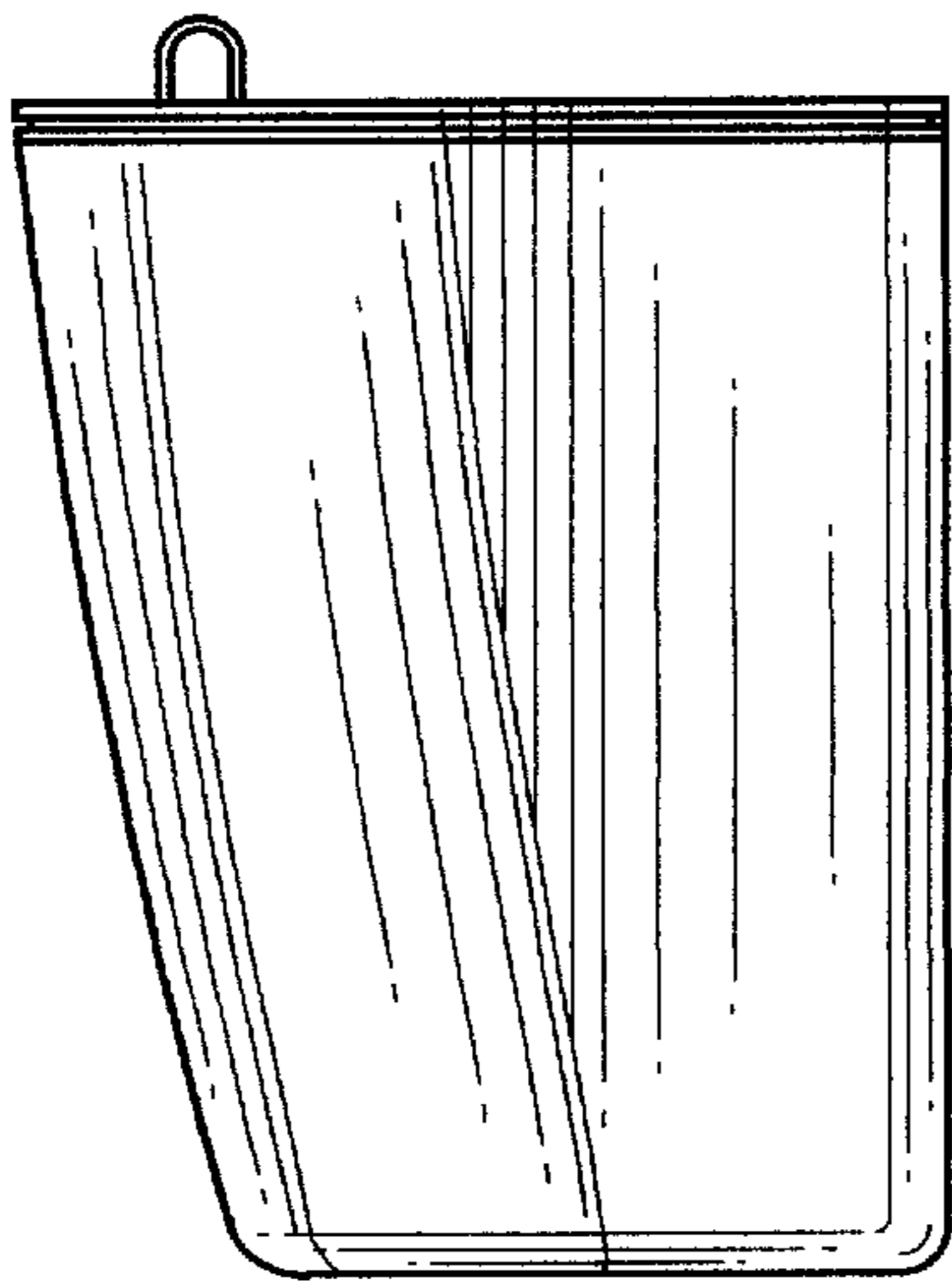


Fig. 4

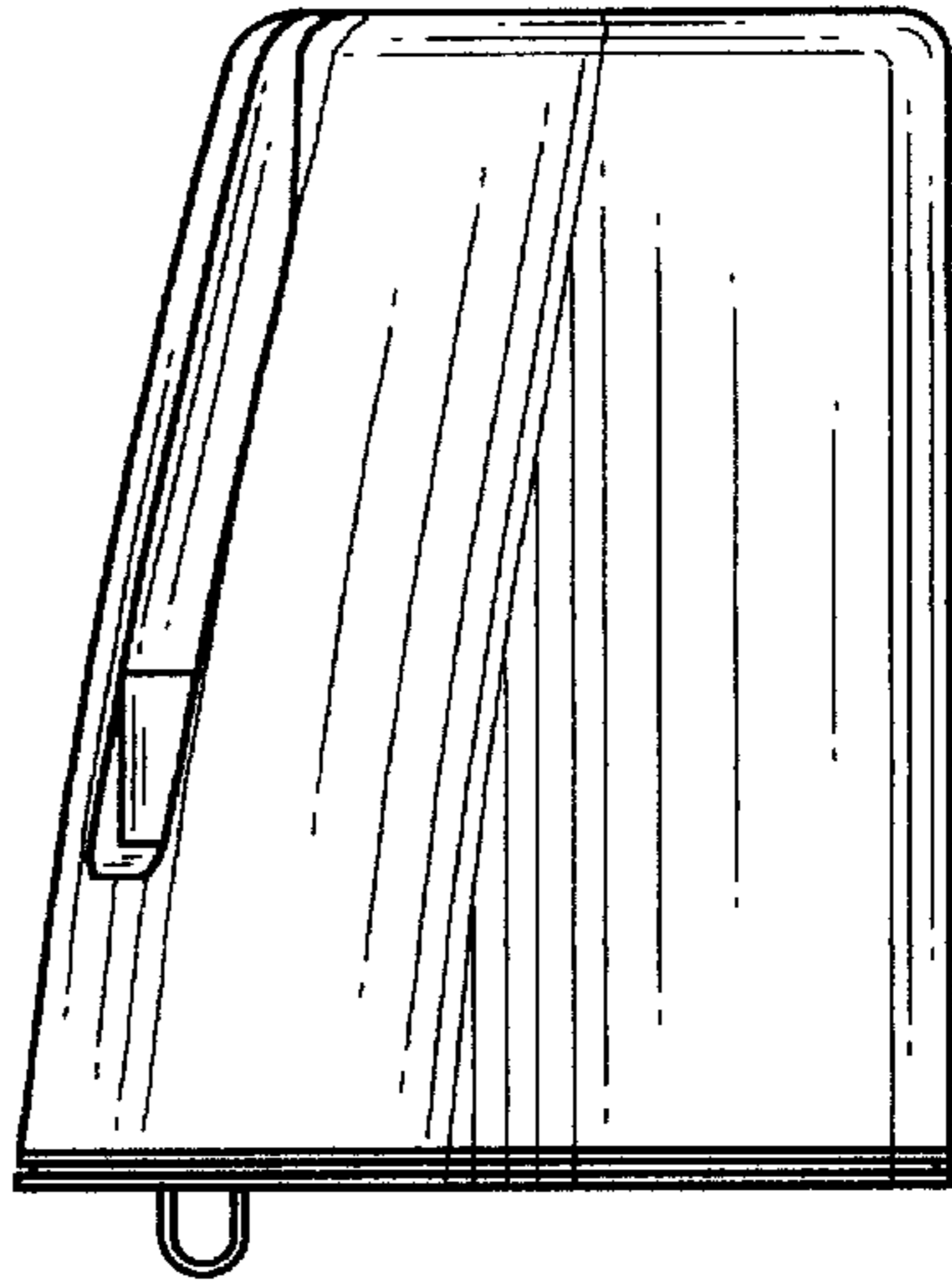


Fig. 6

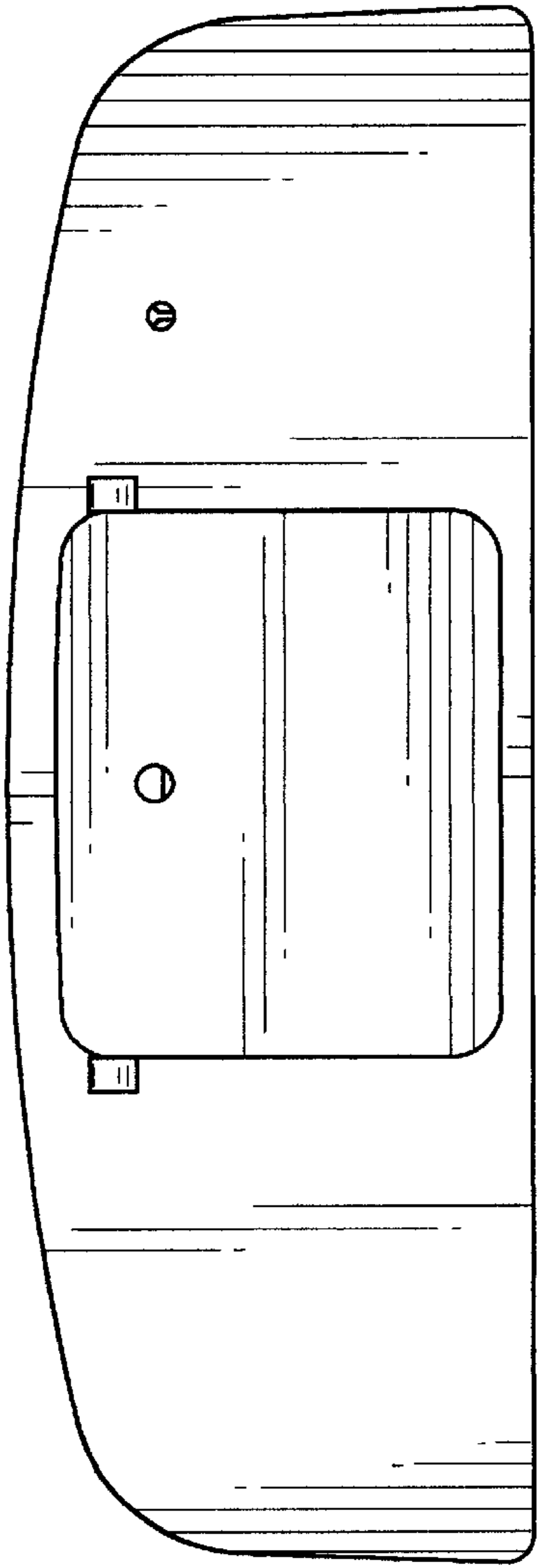


Fig. 5

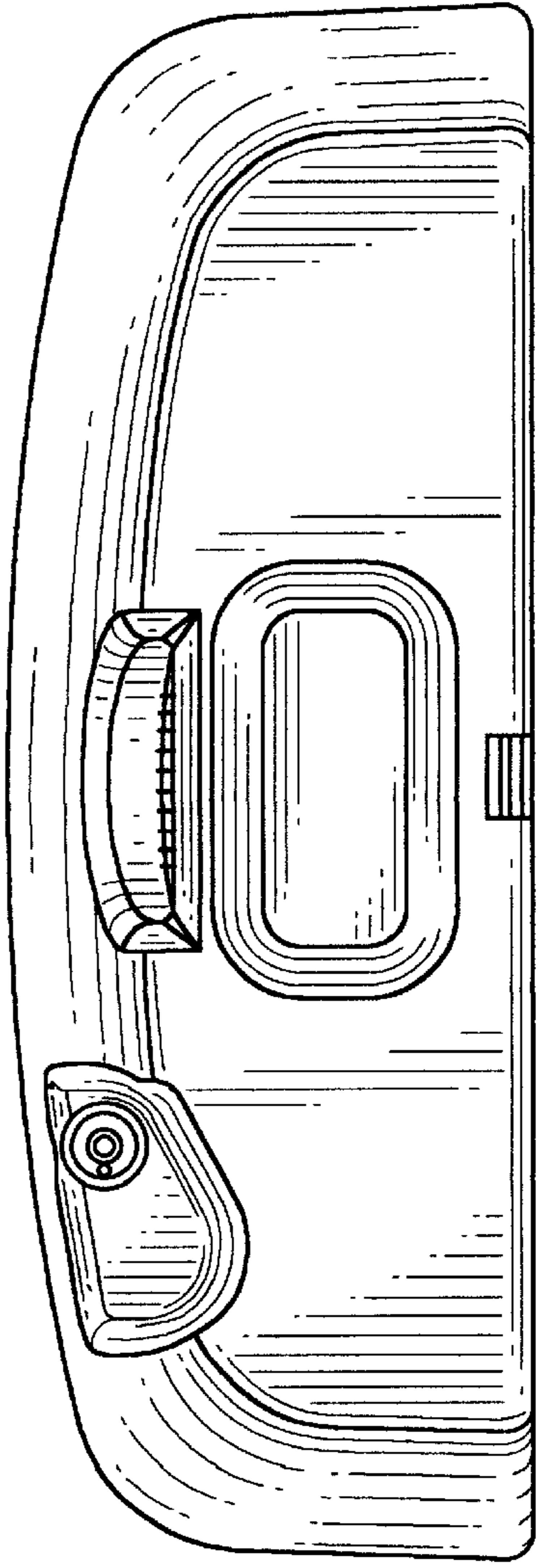


Fig. 7