



US00D475131S

(12) **United States Design Patent**
Pilger

(10) **Patent No.:** **US D475,131 S**

(45) **Date of Patent:** **** May 27, 2003**

(54) **BOOT HANGER MOUNTING BRACKET**

(75) **Inventor:** **Allan Pilger**, Longview, WA (US)

(73) **Assignee:** **North West Heating & Sheet Metal**,
Longview, WA (US)

(**) **Term:** **14 Years**

(21) **Appl. No.:** **29/165,286**

(22) **Filed:** **Aug. 5, 2002**

(51) **LOC (7) Cl.** **23-04**

(52) **U.S. Cl.** **D23/393**

(58) **Field of Search** D23/386-390,
D23/292-295, 327, 354, 412, 421, 499;
52/95, 473; 416/244 R, 247 R; D25/152,
153, 155-156; 454/250, 237, 275-277,
297, 319, 292; 165/166

(56) **References Cited**

U.S. PATENT DOCUMENTS

943,298 A	12/1909	Brown	
2,679,796 A	6/1954	Froelich et al.	98/114
3,238,860 A	3/1966	O'Day	98/40
3,323,437 A	* 6/1967	Knab	454/237 X
3,522,724 A	* 8/1970	Knab	454/297 X
3,888,013 A	6/1975	Benoit	33/174
3,985,158 A	* 10/1976	Felter	454/292 X
4,258,784 A	* 3/1981	Perry et al.	165/166
D268,282 S	* 3/1983	Wichmann et al.	D23/393

4,815,364 A	3/1989	Wagner et al.	98/114
5,129,690 A	7/1992	Meinig et al.	285/363
5,476,183 A	12/1995	Harpenau	220/3.3
5,716,270 A	2/1998	Chambers	454/332
5,983,496 A	11/1999	Hermanson	29/890.15
D453,042 S	1/2002	Mattsson et al.	D23/393
D454,949 S	3/2002	Mattsson et al.	D23/393
D456,071 S	4/2002	Mattsson et al.	D23/393
D456,072 S	4/2002	Mattsson et al.	D23/393
6,494,780 B1	* 12/2002	Norbury, Jr.	454/319

* cited by examiner

Primary Examiner—Louis S. Zarfaz

Assistant Examiner—Robert A. Delehanty

(74) *Attorney, Agent, or Firm*—Cislo & Thomas LLP

(57) **CLAIM**

The ornamental design for a boot hanger mounting bracket, as shown and described herein.

DESCRIPTION

FIG. 1 is a front perspective view of a boot hanger mounting bracket showing my new design in condition of use with a ventilation grill cover that is shown in broken lines and is for illustrative purposes only and forms no part of the claimed design.

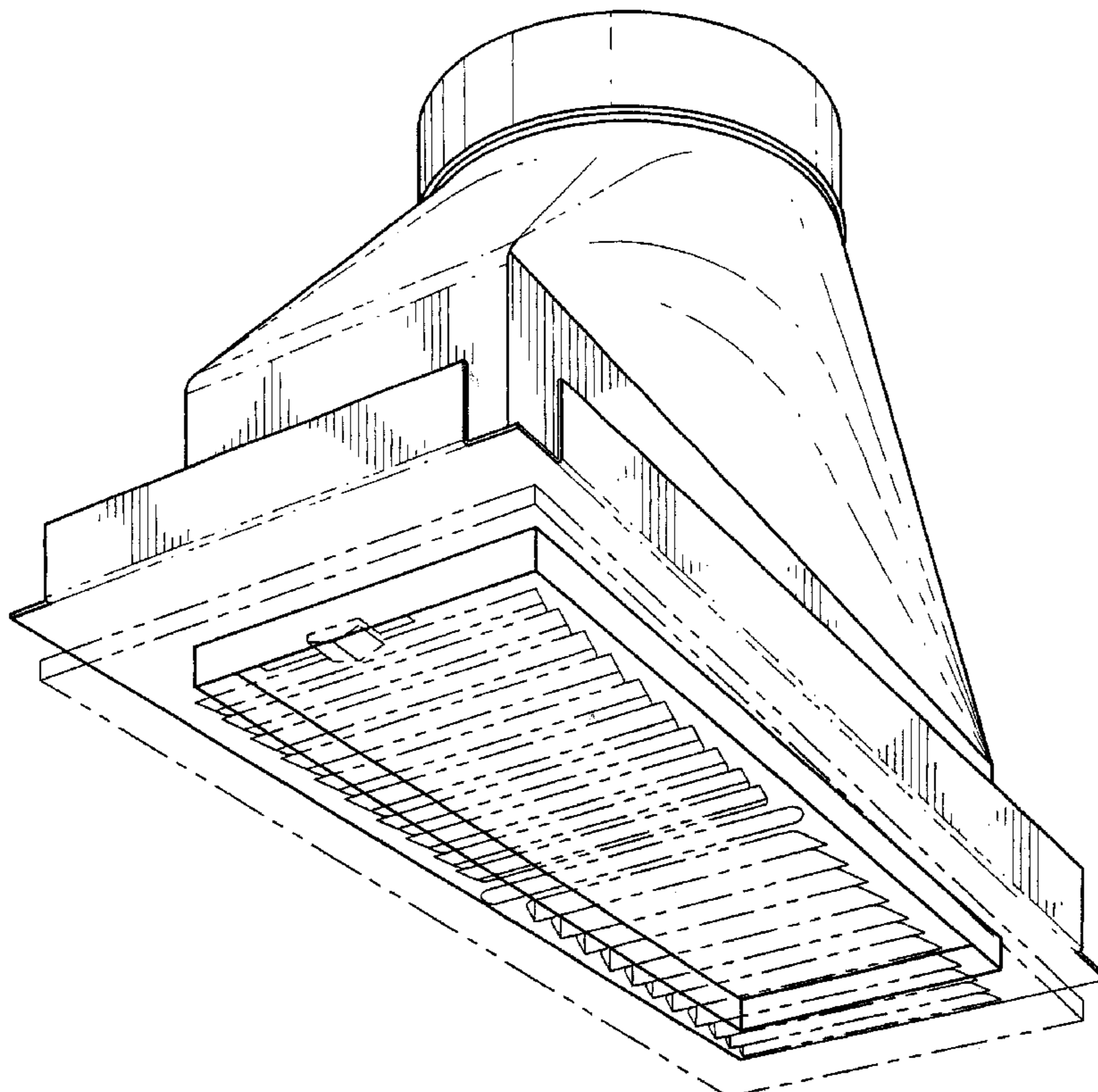
FIG. 2. Is a side view of my boot hanger mounting bracket;

FIG. 3. Is a front view thereof;

FIG. 4. Is a top view thereof; and,

FIG. 5. Is a bottom view thereof.

1 Claim, 3 Drawing Sheets



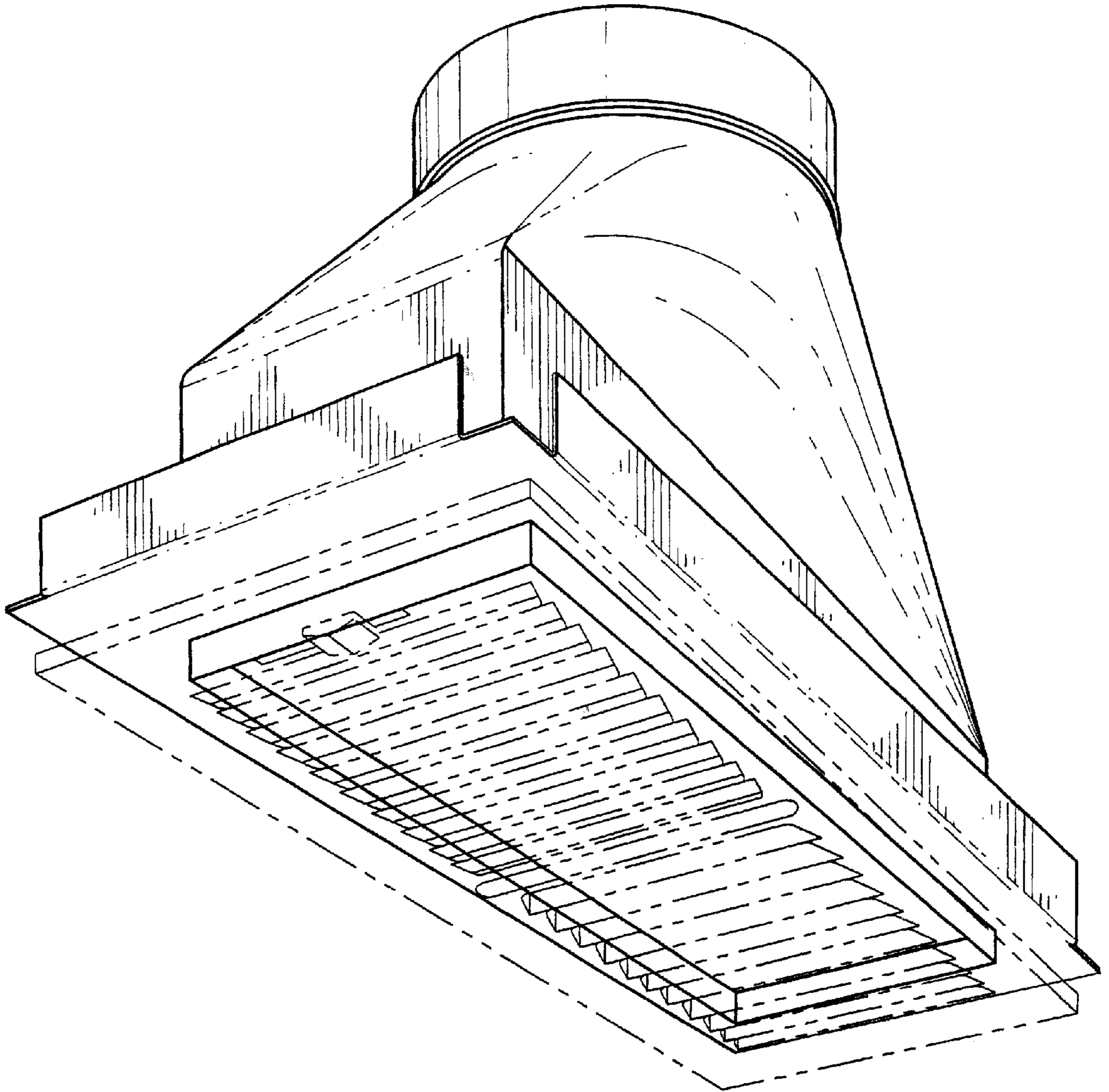


FIG. 1

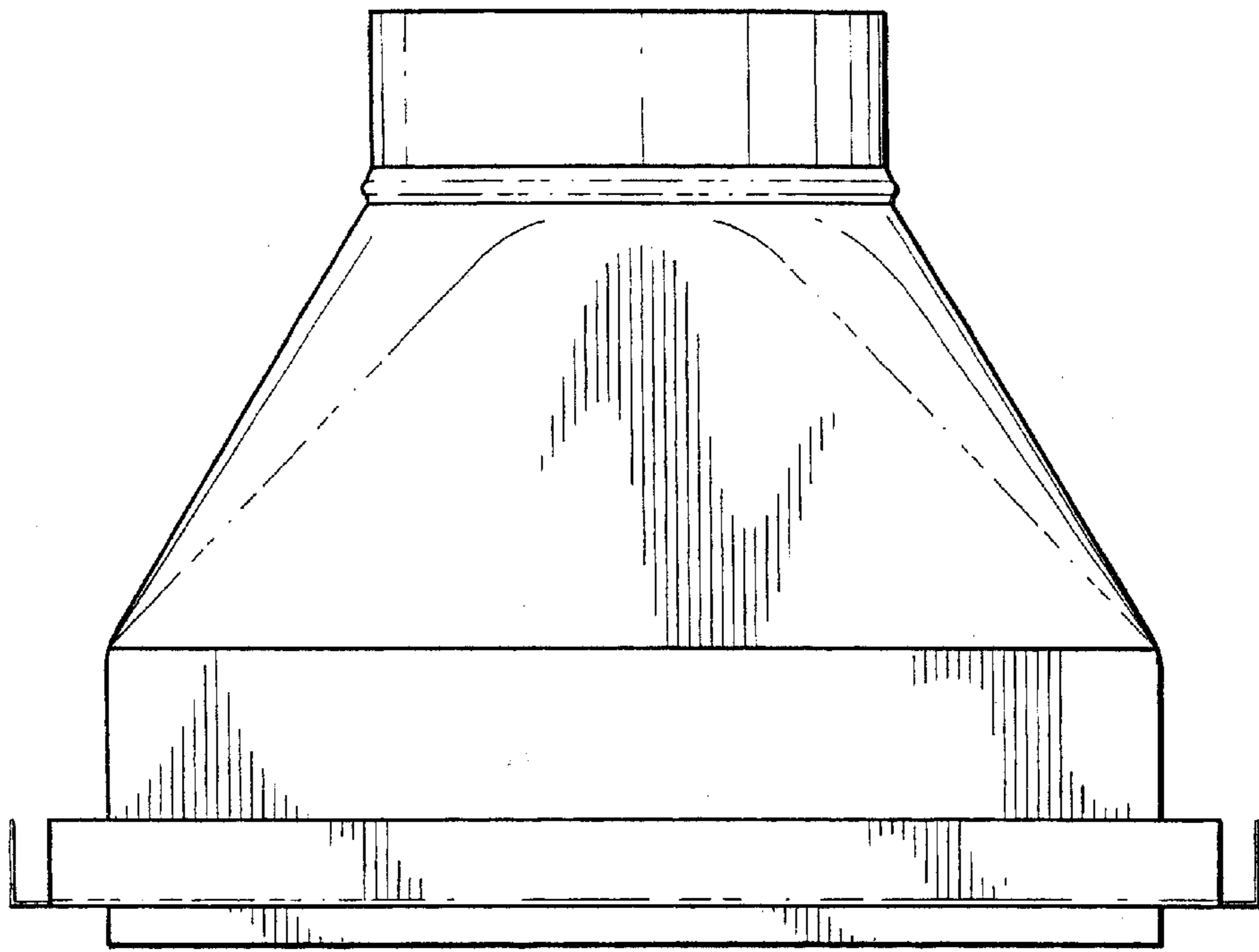


FIG. 2

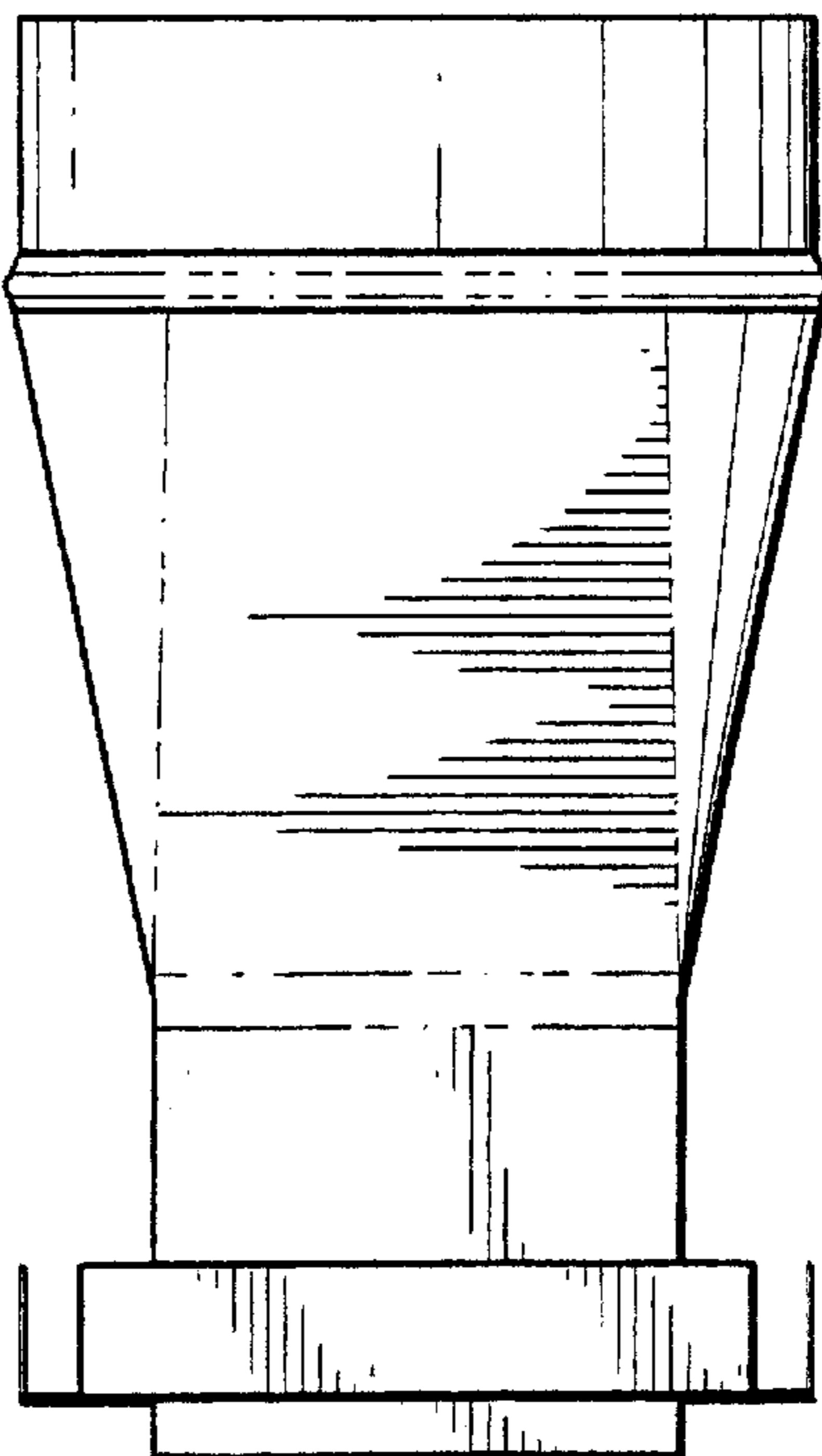


FIG. 3

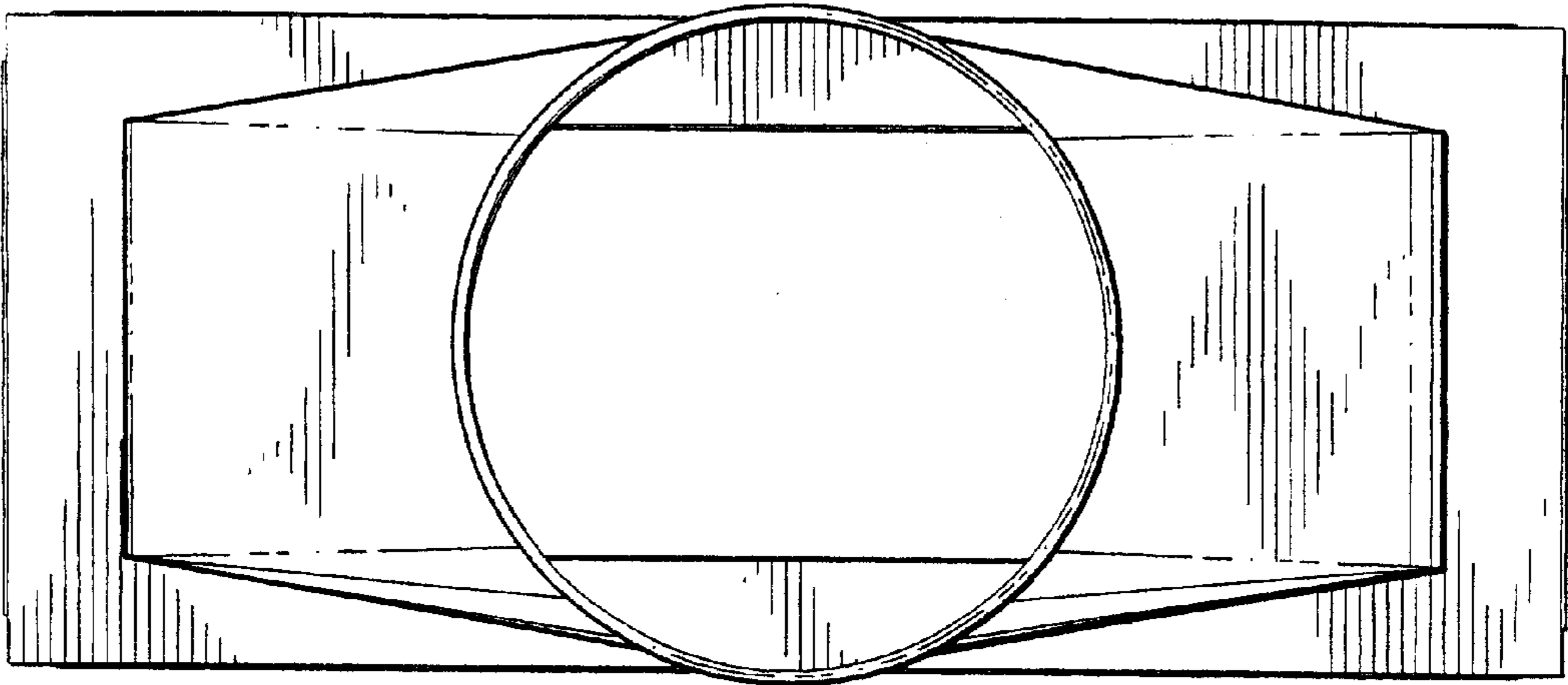


FIG. 4

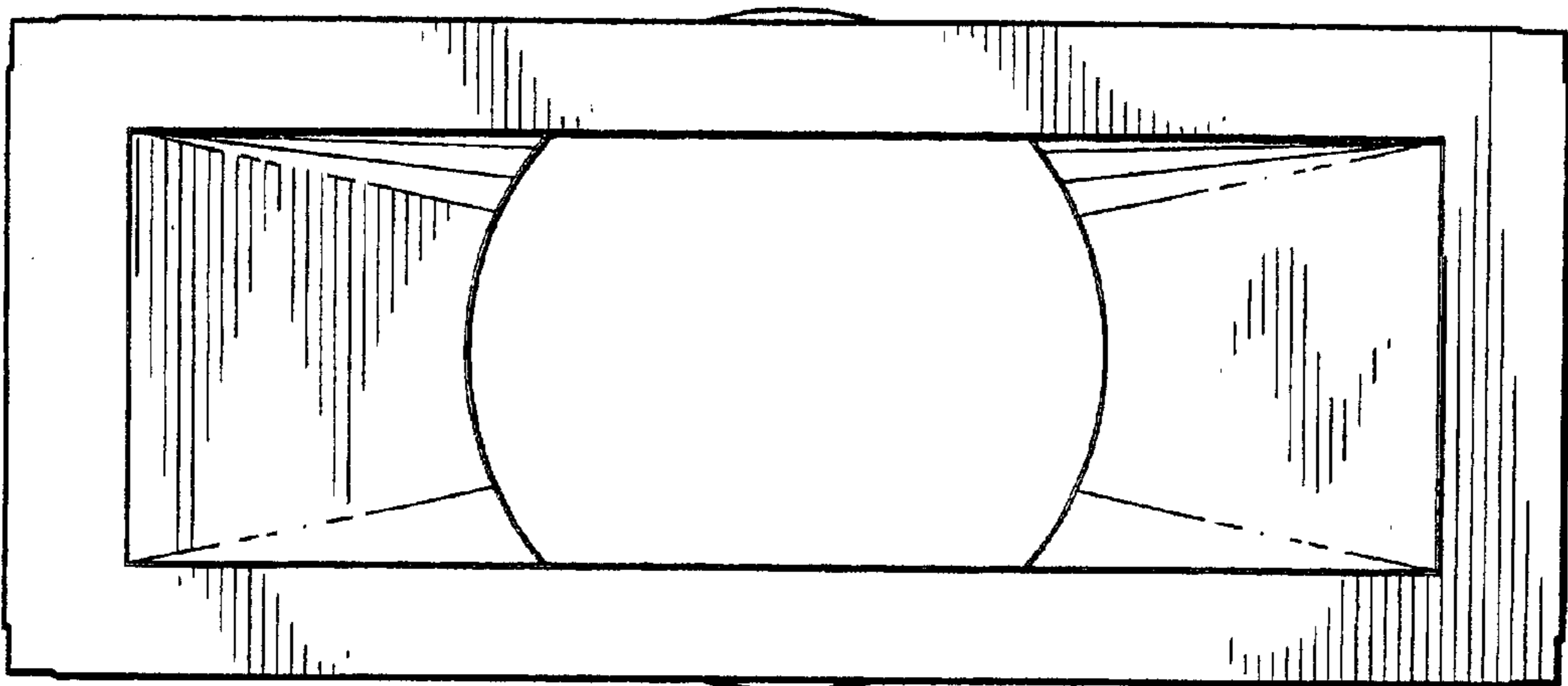


FIG. 5