



US00D475130S

(12) **United States Design Patent**
Stout, Jr.

(10) **Patent No.: US D475,130 S**

(45) **Date of Patent: ** May 27, 2003**

(54) **BELL MOUTH WITH A CRIMPED END**

(75) **Inventor: William K. Stout, Jr., Mason, OH (US)**

(73) **Assignee: Eastern Sheet Metal LLC, Cincinnati, OH (US)**

(**) **Term: 14 Years**

(21) **Appl. No.: 29/138,847**

(22) **Filed: Mar. 20, 2001**

(51) **LOC (7) Cl. 23-04**

(52) **U.S. Cl. D23/393**

(58) **Field of Search** D23/259, 262, D23/263, 266, 386, 387, 391, 393, 394; 138/111-117, DIG. 4, DIG. 11, 177; 285/47, 123.15, 123.16, 110, 374, 347, 232-234, 123.1, 123.3-123.7, 123.9, 122.1, 125.1, 129.1, 129.2, 131, 132.1, 133.11, 133.3, 133.6, 136.1, 139.1, 139.2, 139.3, 141.1, 142.1, 143.1, 148.22, 148.23, 148.24, 148.25, 189, 197-200, 332, 332.1, 334.1, 334.5, 405, 424; 454/228-236, 243, 270, 903, 906; 126/307 R, 312, 307 A, 314-317

(56) **References Cited**

U.S. PATENT DOCUMENTS

- D25,709 S 6/1896 Pratt
- 1,565,918 A 12/1925 Fitzgerald
- 1,570,974 A 1/1926 Stevens
- 1,685,701 A * 9/1928 Blanchard 454/906 X
- 2,314,386 A 3/1943 Brend
- 2,544,108 A 3/1951 Richardson
- 2,907,592 A * 10/1959 Bailey 285/219
- 2,930,635 A 3/1960 Woodling
- 3,015,510 A 1/1962 Bates
- 3,749,425 A * 7/1973 Howland 285/191
- D234,847 S 4/1975 Hoffman
- 3,955,834 A 5/1976 Ahlrot
- 4,007,941 A 2/1977 Stancati
- 4,050,703 A 9/1977 Tuvevsson et al.
- 4,193,246 A 3/1980 Schiefer et al.

- 4,216,981 A 8/1980 Jensen
- 4,369,159 A 1/1983 Irmer
- D273,702 S 5/1984 Widerby et al.
- 4,569,110 A * 2/1986 Goettel 29/890.11
- 4,606,706 A * 8/1986 Utter 285/136.1 X
- 4,664,421 A 5/1987 Jones
- 5,314,212 A * 5/1994 Sanders 285/197
- 5,405,174 A 4/1995 Sondén et al.
- 5,407,122 A 4/1995 Stefansson et al.
- D360,018 S 7/1995 Sondén et al.
- D360,019 S 7/1995 Sondén et al.
- D360,020 S 7/1995 Sondén et al.
- D360,021 S 7/1995 Sondén et al.
- D361,829 S 8/1995 Sondén et al.
- D362,299 S 9/1995 Sondén et al.
- D362,300 S 9/1995 Sondén et al.
- D363,115 S 10/1995 Lennartsson
- 5,473,815 A 12/1995 Sonden et al.

(List continued on next page.)

FOREIGN PATENT DOCUMENTS

- DE 19819 4/1977
- DE 2840962 4/1979
- DK 150025 B 11/1986

(List continued on next page.)

OTHER PUBLICATIONS

Ducts and Fittings Product Brochure, Lindab Ltd., Northampton, Great Britain (undated), front and back covers and pp. 3-52.

(List continued on next page.)

Primary Examiner—Ted Shooman

Assistant Examiner—C Tuttle

(74) *Attorney, Agent, or Firm*—Dinsmore & Shohl LLP

(57) **CLAIM**

The ornamental design for a bell mouth with a crimped end, as shown and described.

DESCRIPTION

The sole FIGURE is a perspective view of the bell mouth with a crimped end.

1 Claim, 1 Drawing Sheet



US D475,130 S

Page 2

U.S. PATENT DOCUMENTS

D367,316 S	2/1996	Sondén et al.	
D368,304 S	3/1996	Morrison	
5,531,460 A	7/1996	Stefansson et al.	
D377,829 S	2/1997	Andresen	
5,599,600 A	2/1997	Rau	
5,649,662 A	7/1997	Krichau et al.	
D383,053 S	9/1997	Schrader et al.	
D383,195 S	9/1997	Sondén et al.	
D383,196 S	9/1997	Sondén et al.	
D386,246 S	11/1997	Sondén et al.	
D402,354 S	12/1998	Strong et al.	
D407,802 S	4/1999	Hatfield et al.	
D427,667 S	7/2000	Stout, Jr.	
D427,668 S	7/2000	Stout, Jr.	
D427,673 S	7/2000	Stout, Jr.	
D430,482 S	9/2000	Stout, Jr.	
D435,090 S	12/2000	Stout, Jr.	
D437,034 S	1/2001	Stout, Jr.	
6,170,883 B1	1/2001	Mattssön et al.	
D447,223 S	8/2001	Mattsson et al.	
6,322,111 B1 *	11/2001	Brady	285/370
D454,949 S	3/2002	Mattsson et al.	
D456,071 S	4/2002	Mattsson et al.	
D456,072 S	4/2002	Mattsson et al.	
D461,887 S	8/2002	Mattsson et al.	
6,431,609 B1	8/2002	Andersson	

FOREIGN PATENT DOCUMENTS

EP	092881 A2	11/1983
EP	0273221 B1	7/1988
EP	0389462 A1	9/1990
EP	0758066 B1	2/1997
FR	2015241	4/1970
GB	1587018	3/1981
IT	1285018	3/1998
NO	174861	4/1994
SE	13987	1/1974
SE	17788	4/1976
SE	25473	4/1980
SE	25610	4/1980

SE	26059	7/1980
SE	26995	12/1980
WO	WO9415133	7/1994

OTHER PUBLICATIONS

U.S. patent application Ser. No. 29/138,761.
U.S. patent application Ser. No. 29/138,838.
U.S. patent application Ser. No. 29/138,820.
U.S. patent application Ser. No. 29/138,785.
U.S. patent application Ser. No. 29/138,839.
U.S. patent application Ser. No. 29/138,830.
U.S. patent application Ser. No. 29/138,819.
U.S. patent application Ser. No. 29/138,818.
U.S. patent application Ser. No. 29/138,782.
U.S. patent application Ser. No. 29/138,790.
U.S. patent application Ser. No. 29/138,783.
U.S. patent application Ser. No. 29/138,786.
U.S. patent application Ser. No. 29/138,771.
U.S. patent application Ser. No. 29/138,760.
U.S. patent application Ser. No. 29/138,836.
U.S. patent application Ser. No. 29/138,764.
U.S. patent application Ser. No. 29/138,668.
U.S. patent application Ser. No. 29/138,772.
U.S. patent application Ser. No. 29/138,784.
U.S. patent application Ser. No. 29/138,781.
U.S. patent application Ser. No. 29/138,842.
U.S. patent application Ser. No. 29/138,837.
U.S. patent application Ser. No. 29/138,763.
U.S. patent application Ser. No. 29/138,829.
U.S. patent application Ser. No. 29/138,762.
“Sistema Di Tenuta Ring”, Issued by Climovent System, an Italian Company; pp. 1–6 (Undated).
“Veloduct” catalog 1997, ABB Ventilation Products AB, Division Veloduct.
Hallstroms Verkstader 2 page advertisement and an English translation of portions thereof. Mar. 21, 2000.

* cited by examiner

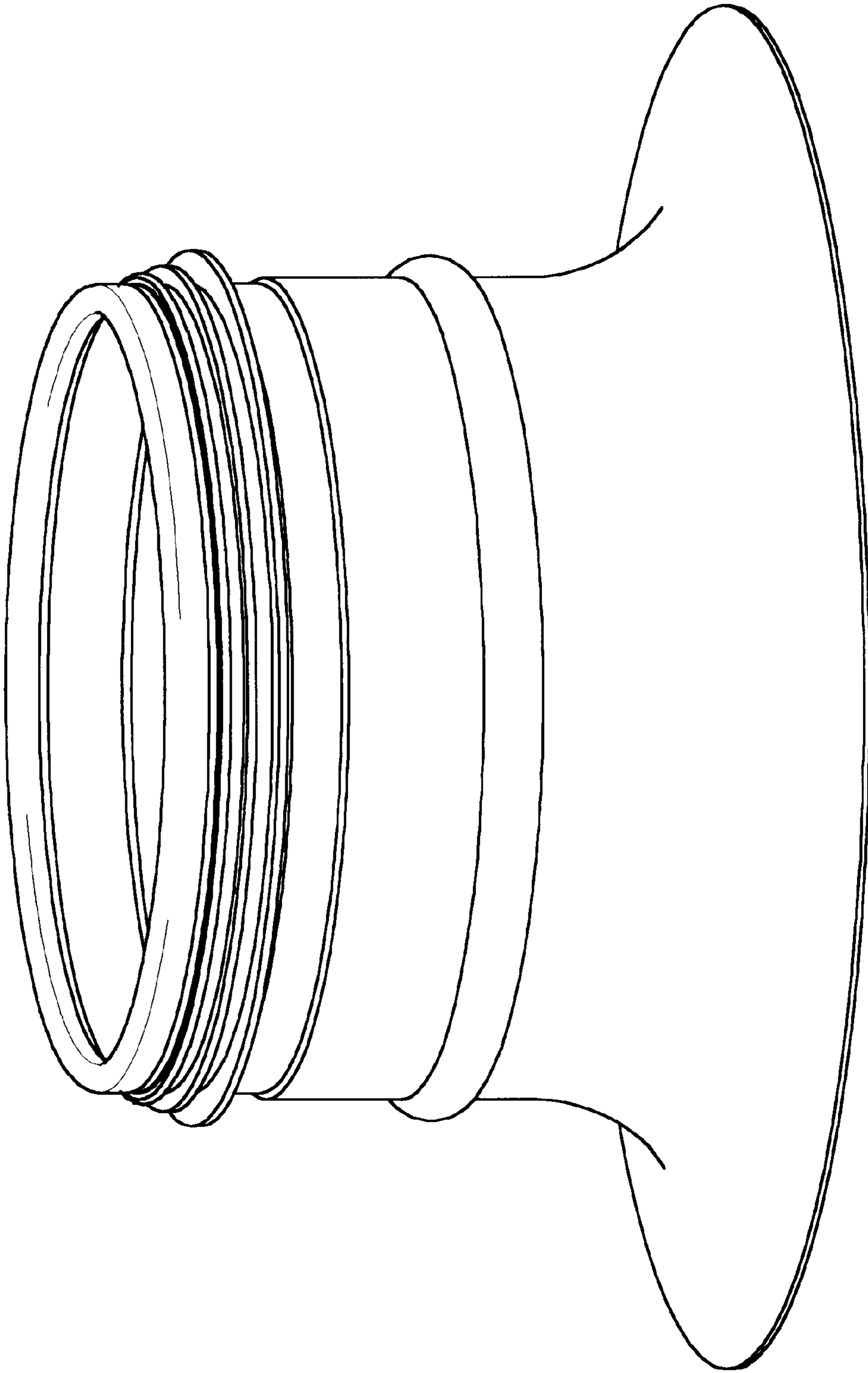


FIG. 1

UNITED STATES PATENT AND TRADEMARK OFFICE
CERTIFICATE OF CORRECTION

PATENT NO. : Des. 475,130 S
DATED : May 27, 2003
INVENTOR(S) : William K. Stout, Jr.

Page 1 of 2

It is certified that error appears in the above-identified patent and that said Letters Patent is hereby corrected as shown below:

Title page,

Preceding the claim, insert the following:

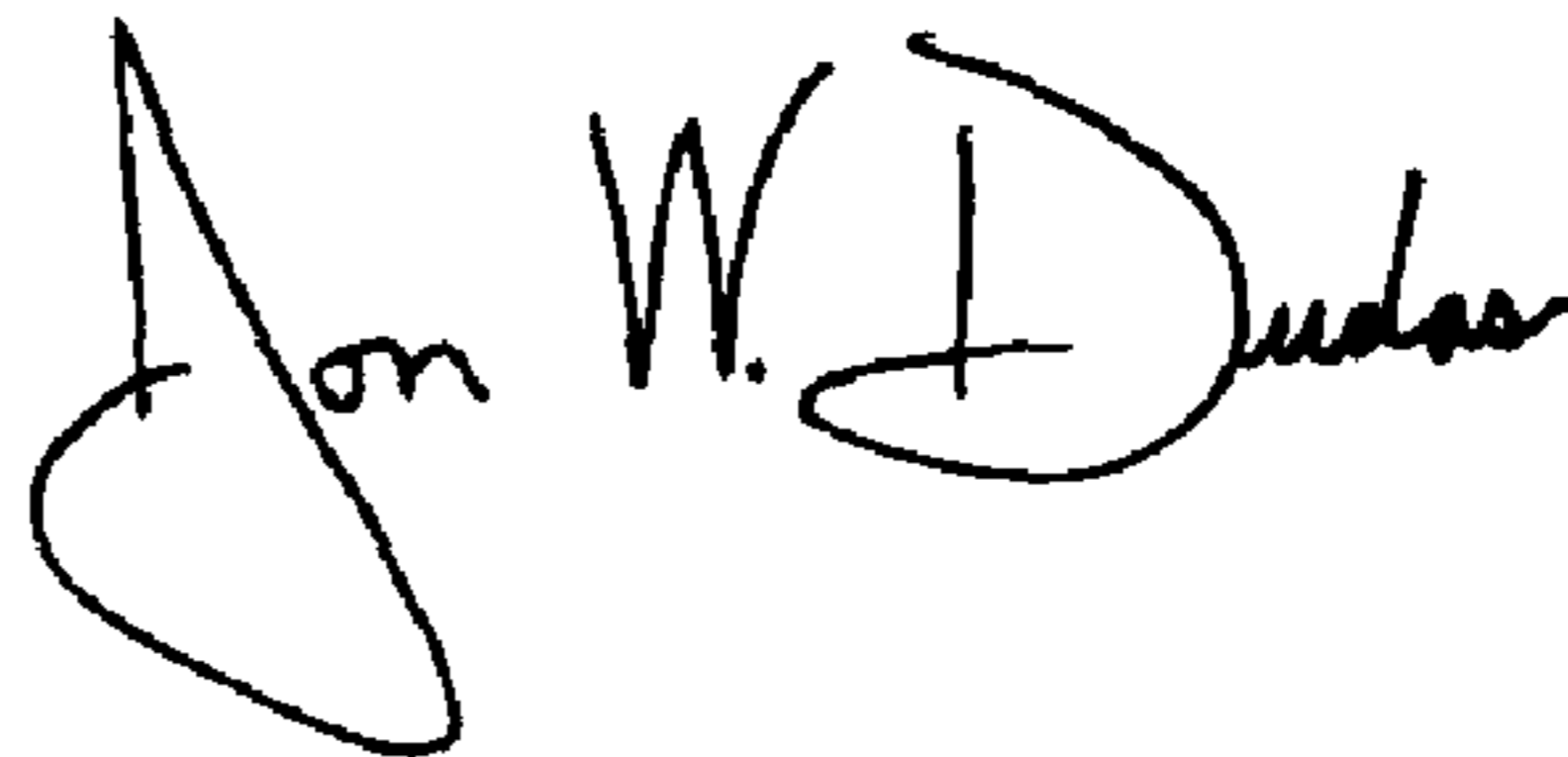
-- The broken line showing the interior structures is for illustrative purposes only and forms no part of the claimed design. --, and

The representative figure should be deleted, and substitute therefor the representative figure, as shown on the attached page.

The drawing sheet, consisting of FIG. 1, should be deleted and substitute therefor the attached drawing sheet.

Signed and Sealed this

Ninth Day of March, 2004

A handwritten signature in black ink that reads "Jon W. Dudas". The signature is written in a cursive style with a large, looped initial "J".

JON W. DUDAS
Acting Director of the United States Patent and Trademark Office

U.S. Patent

May 27, 2003

Sheet 1 of 1

D475,130 S

