



US00D475127S

(12) **United States Design Patent**
Svendsen et al.

(10) **Patent No.:** **US D475,127 S**

(45) **Date of Patent:** **** May 27, 2003**

(54) **LAVATORY SINK**

(75) Inventors: **Sean W. Svendsen**, Columbus, OH (US); **Michael J. Painter**, Columbus, OH (US); **Sherry Lynn Jones**, Pataskala, OH (US); **Christopher P. Marks**, Pickerington, OH (US); **Paul P. Kolada**, Bexley, OH (US)

(73) Assignee: **American Standard Inc.**, Piscataway, NJ (US)

(**) Term: **14 Years**

(21) Appl. No.: **29/157,800**

(22) Filed: **Mar. 25, 2002**

(51) **LOC (7) Cl.** **23-02**

(52) **U.S. Cl.** **D23/293.1**

(58) **Field of Search** D23/271-273, D23/284-285, 287, 292, 293.1, 308; 4/619, 625, 627, 630-635, 637, 643-652, 660

(56) **References Cited**

U.S. PATENT DOCUMENTS

580,136 A * 4/1897 Lloyd 4/651

2,817,097 A * 12/1957 Henley, Jr. 4/634
2,969,549 A * 1/1961 Mills 4/636
D324,902 S * 3/1992 Kohler, Jr. et al. D23/290 X
D421,104 S * 2/2000 Kawamura D23/284

* cited by examiner

Primary Examiner—Louis S. Zarfes

Assistant Examiner—Robert A. Delehanty

(74) *Attorney, Agent, or Firm*—Frommer Lawrence & Haug LLP; Matthew K. Ryan

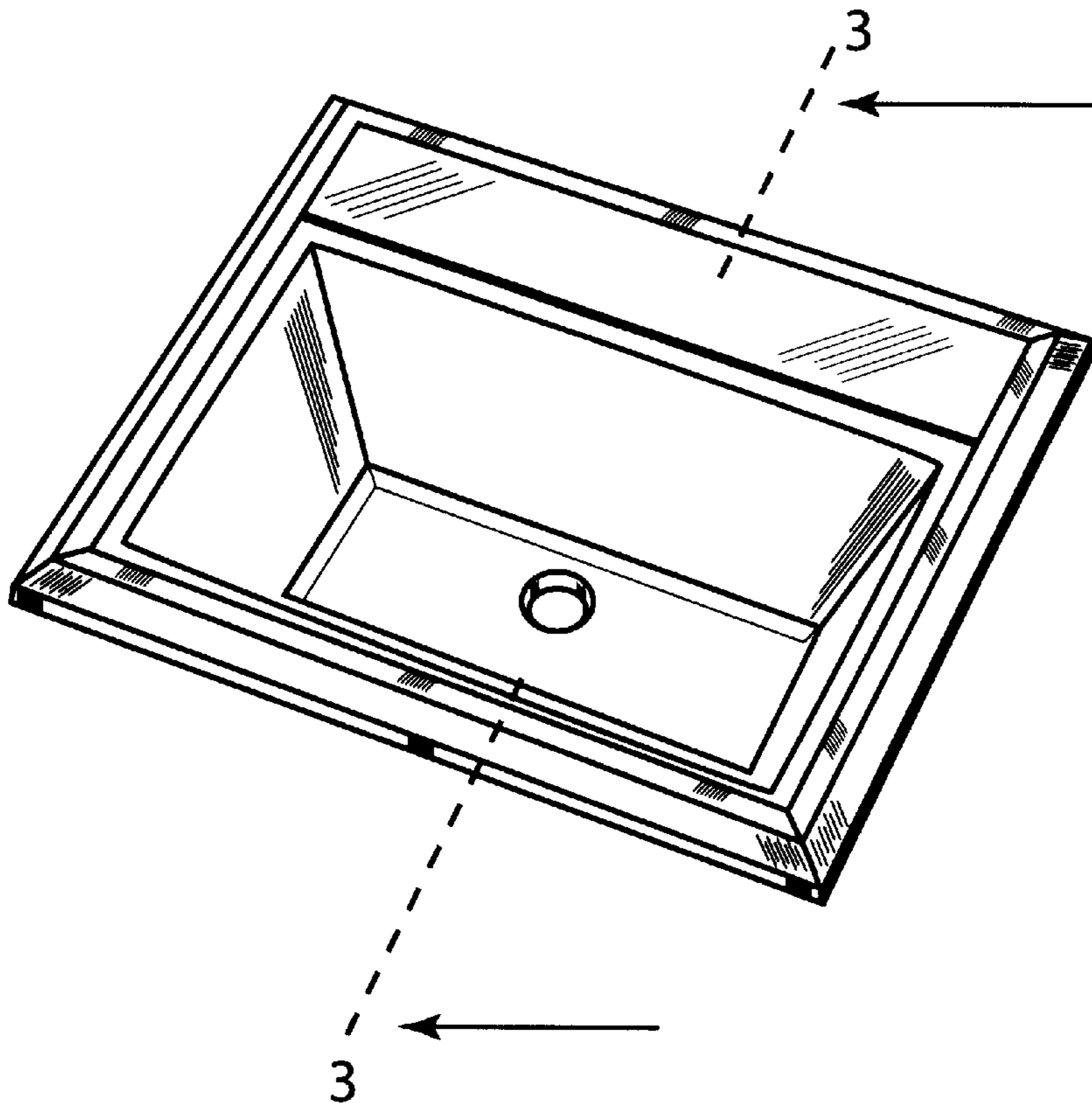
(57) **CLAIM**

The ornamental design for a “lavatory sink”, as shown.

DESCRIPTION

FIG. 1 is a front perspective view of a preferred embodiment of a lavatory sink showing our new design;
FIG. 2 is a front view of the lavatory sink of FIG. 1;
FIG. 3 is a right side sectional view of the lavatory sink of FIG. 1;
FIG. 4 is a right side view of the lavatory sink of FIG. 1;
FIG. 5 is a top view of the lavatory sink of FIG. 1;
FIG. 6 is a bottom view of the lavatory sink of FIG. 1;
FIG. 7 is a left side view of the lavatory sink of FIG. 1; and,
FIG. 8 is a rear view of the lavatory sink of FIG. 1.

1 Claim, 8 Drawing Sheets



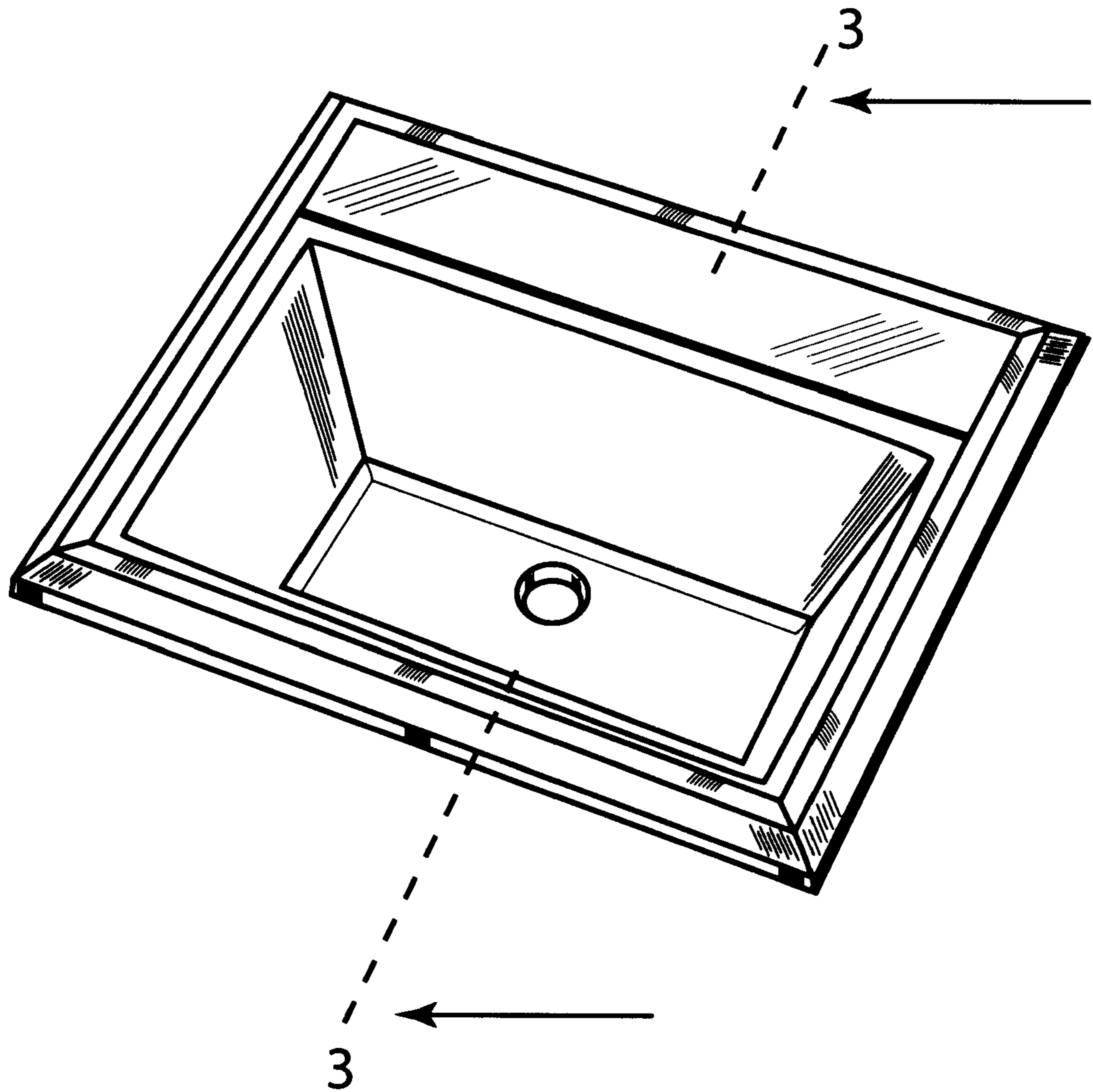


FIG. 1

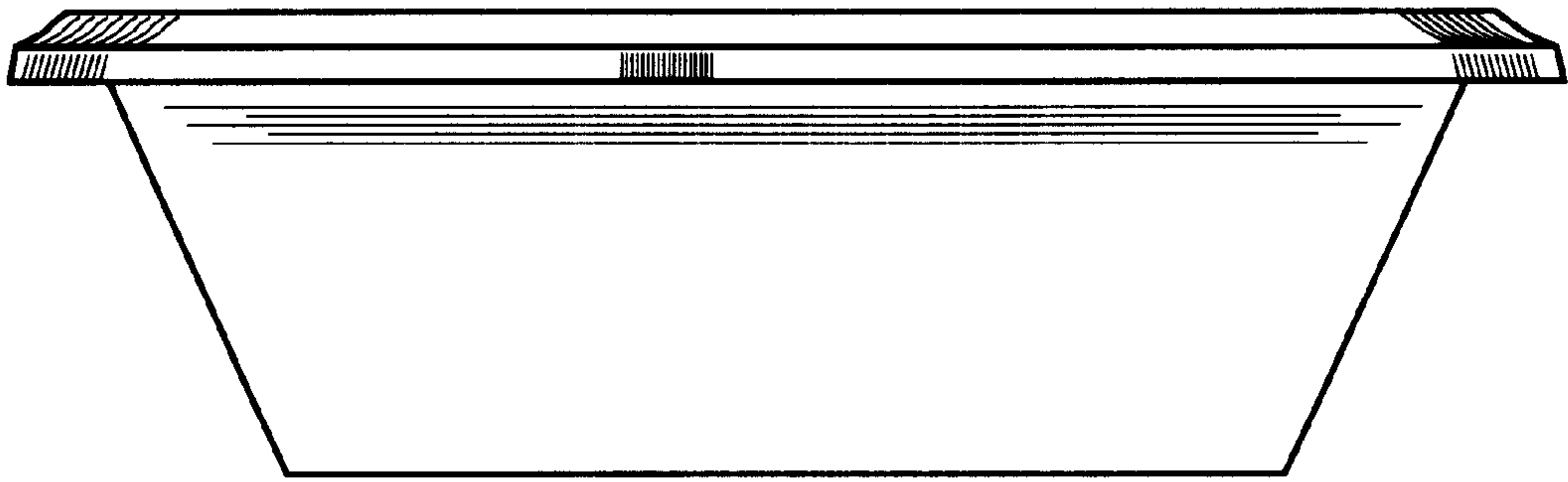


FIG. 2

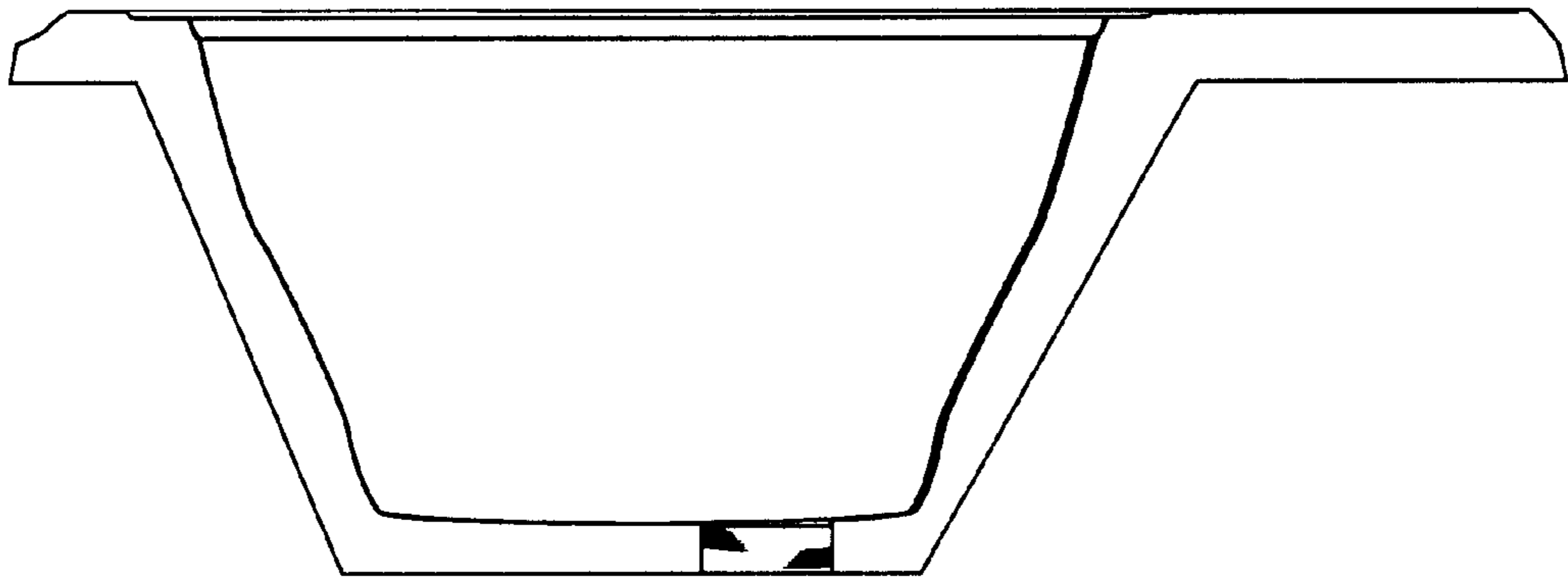


FIG. 3

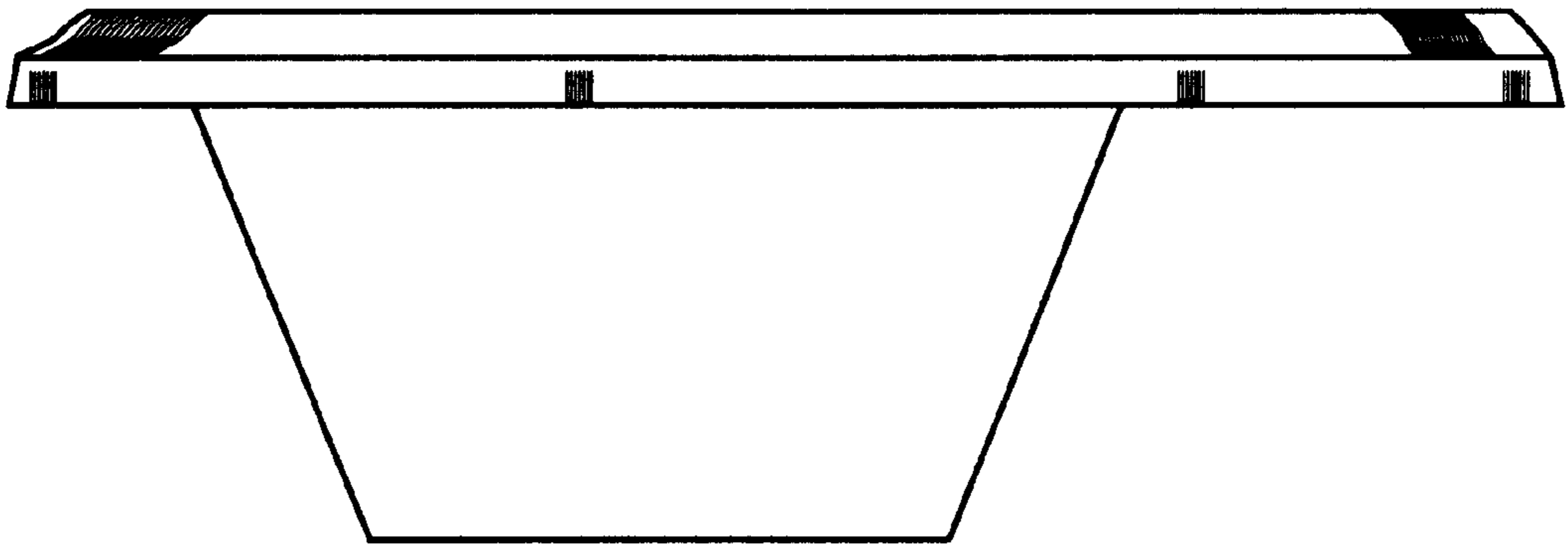


FIG. 4

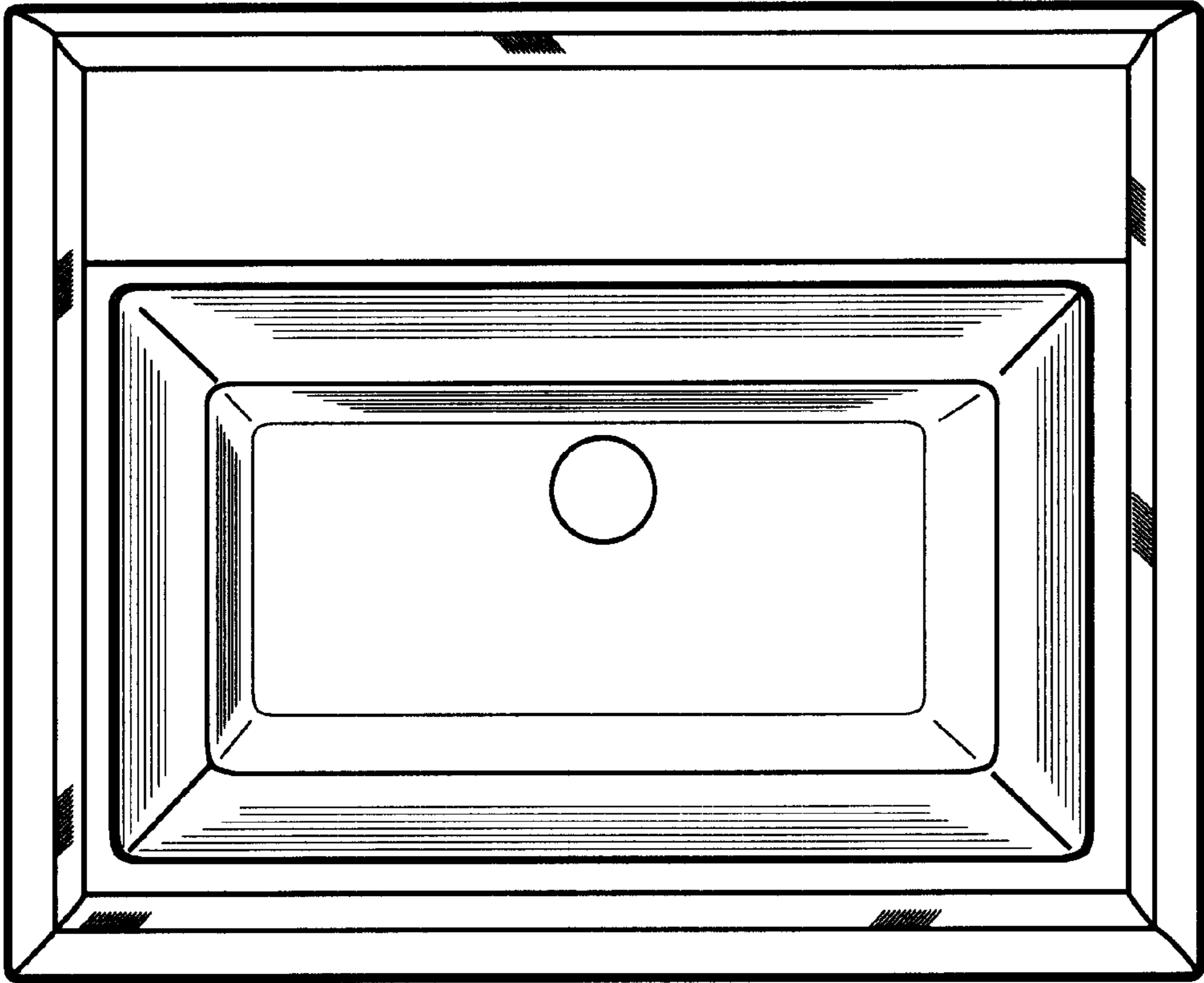


FIG. 5

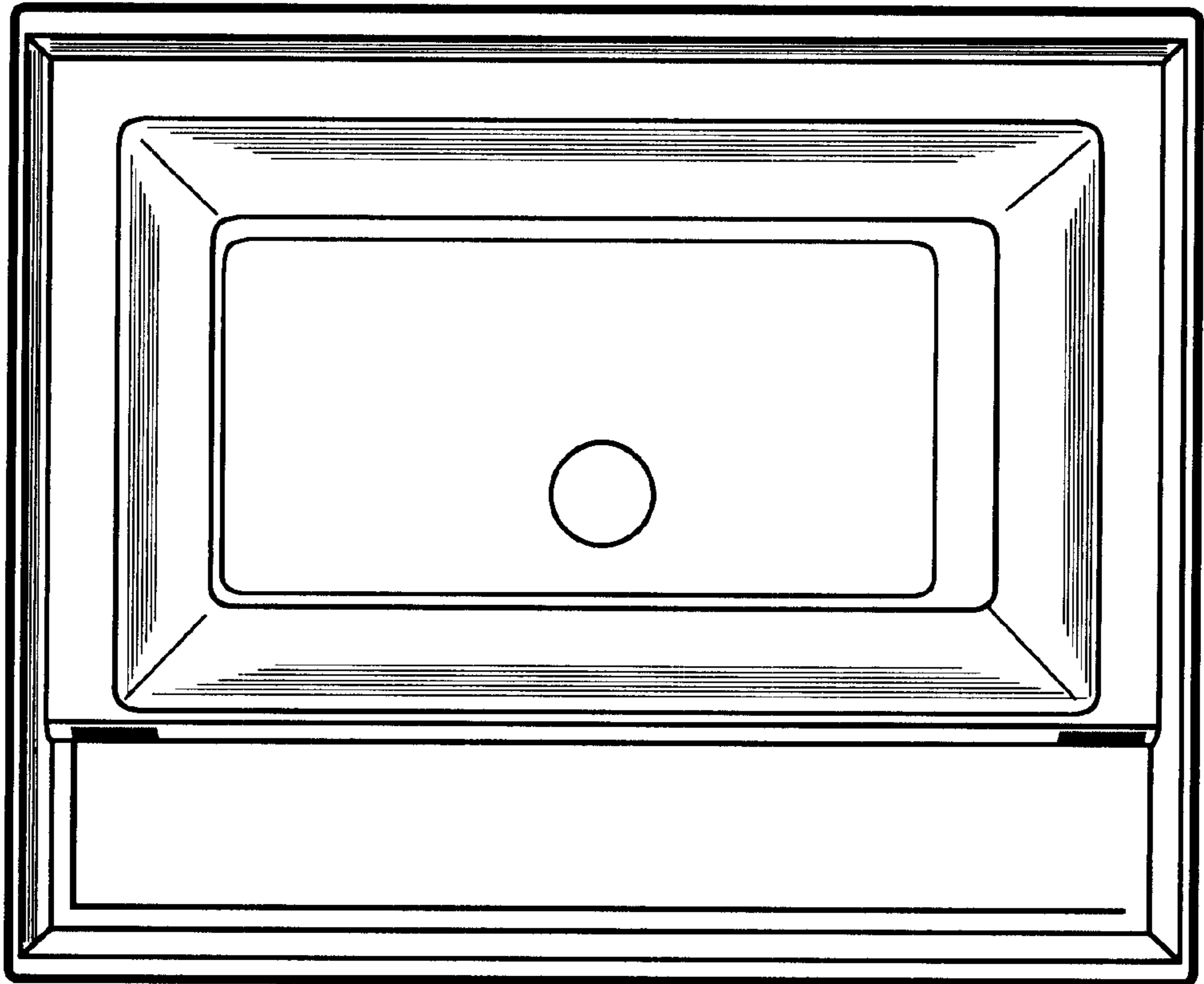


FIG. 6

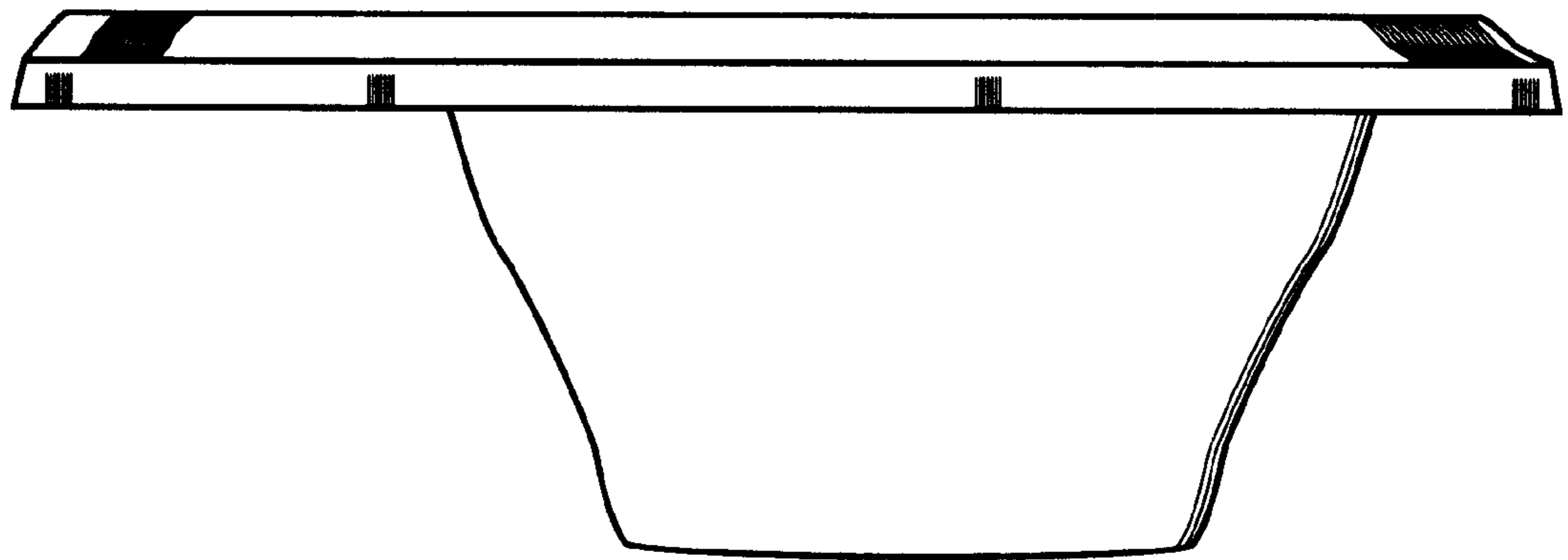


FIG. 7

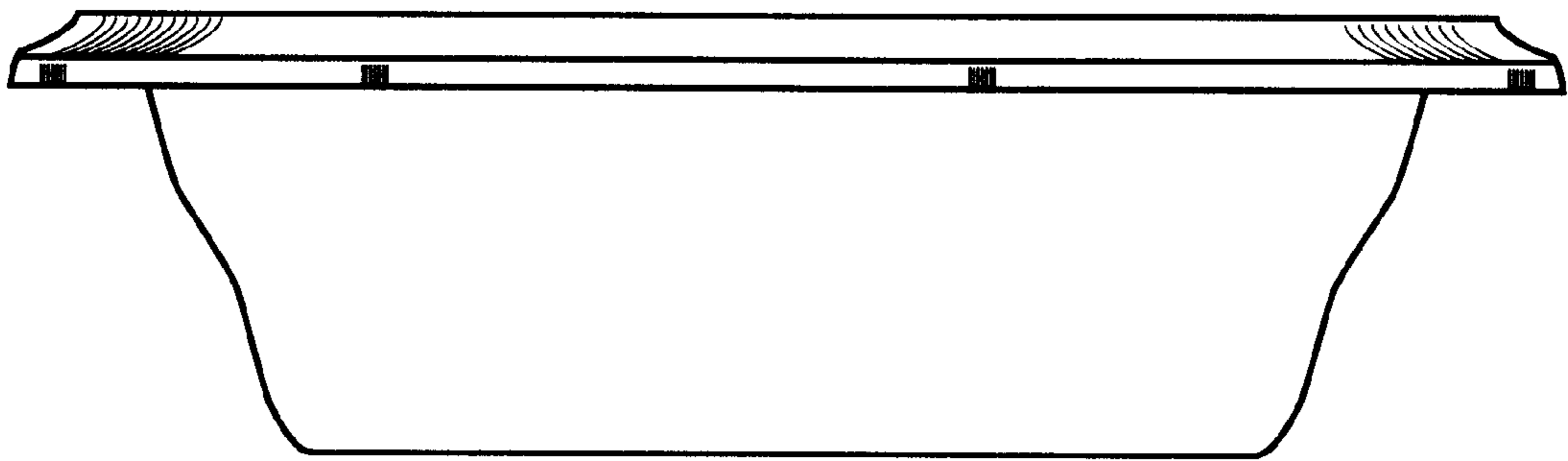


FIG. 8