



US00D475125S

(12) **United States Design Patent**
Marinov

(10) **Patent No.:** **US D475,125 S**

(45) **Date of Patent:** **** May 27, 2003**

(54) **FAUCET**

D440,635 S * 4/2001 Fleischmann D23/242
D448,065 S * 9/2001 Pitsch et al. D23/241

(75) **Inventor:** **Marin Marinov**, Franklin Park, NJ
(US)

* cited by examiner

(73) **Assignee:** **American Standard Inc.**, Piscataway,
NJ (US)

Primary Examiner—Louis S. Zarfes

Assistant Examiner—Gregory Andoll

(**) **Term:** **14 Years**

(74) *Attorney, Agent, or Firm*—Frommer Lawrence &
Haug LLP; Matthew K. Ryan

(21) **Appl. No.:** **29/158,264**

(57) **CLAIM**

(22) **Filed:** **Apr. 2, 2002**

The ornamental design for a faucet, as shown.

(51) **LOC (7) Cl.** **23-01**

DESCRIPTION

(52) **U.S. Cl.** **D23/243; D23/242; D23/241**

FIG. 1 is a front perspective view of a preferred embodiment
of a faucet showing my new design;

(58) **Field of Search** D23/238–243,
D23/250–257; 4/675–678; 137/801

FIG. 2 is a rear perspective view of the faucet of FIG. 1;

FIG. 3 is a front elevational view of the faucet of FIG. 1;

FIG. 4 is a rear elevational view of the faucet of FIG. 1;

FIG. 5 is a left side view of the faucet of FIG. 1;

FIG. 6 is a right side view of the faucet of FIG. 1; and,

FIG. 7 is a top view of the faucet of FIG. 1.

(56) **References Cited**

U.S. PATENT DOCUMENTS

D295,551 S * 5/1988 Yost D23/255
D373,179 S * 8/1996 Sieger D23/241
D406,876 S * 3/1999 Ko D23/241

1 Claim, 4 Drawing Sheets

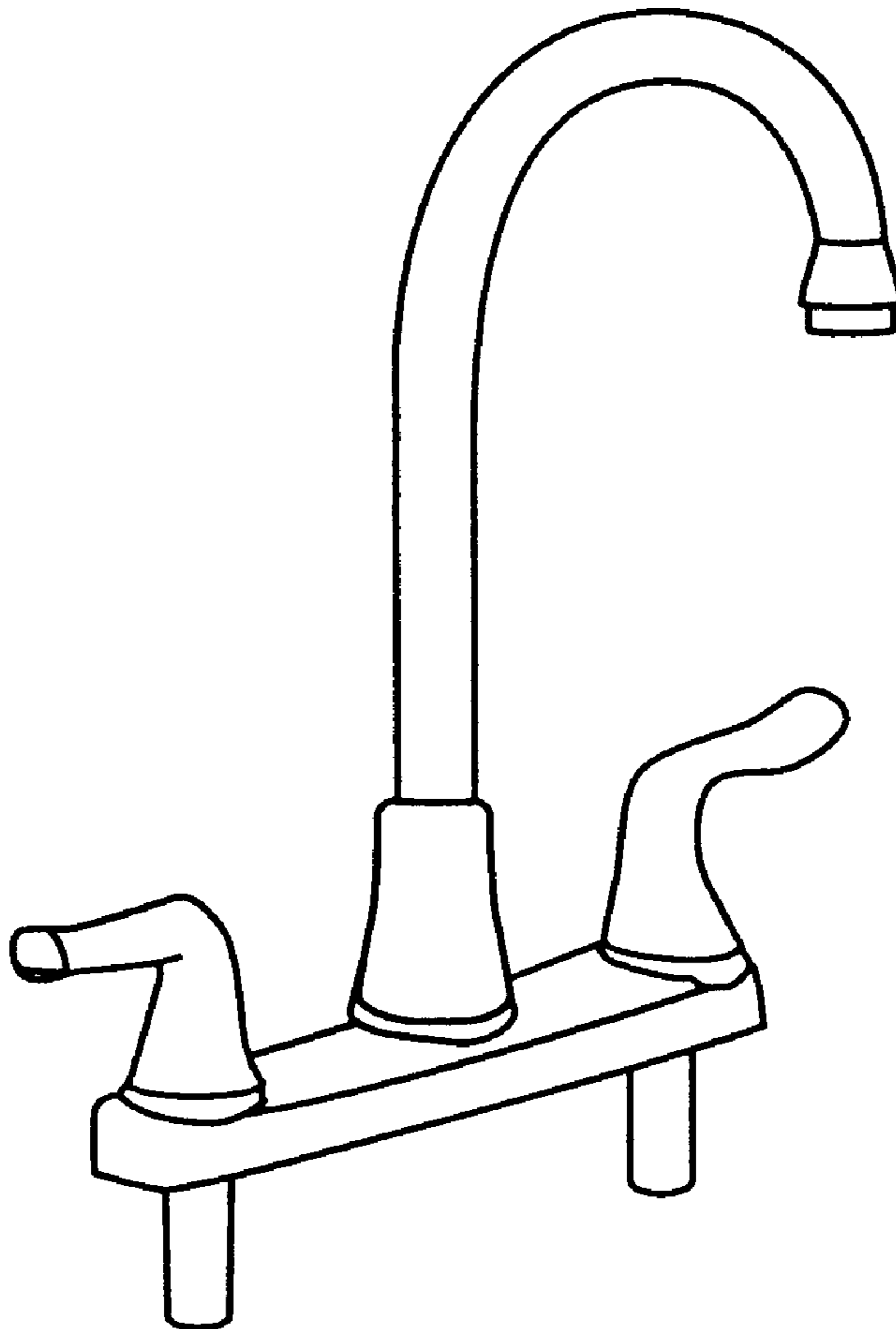


FIG. 1

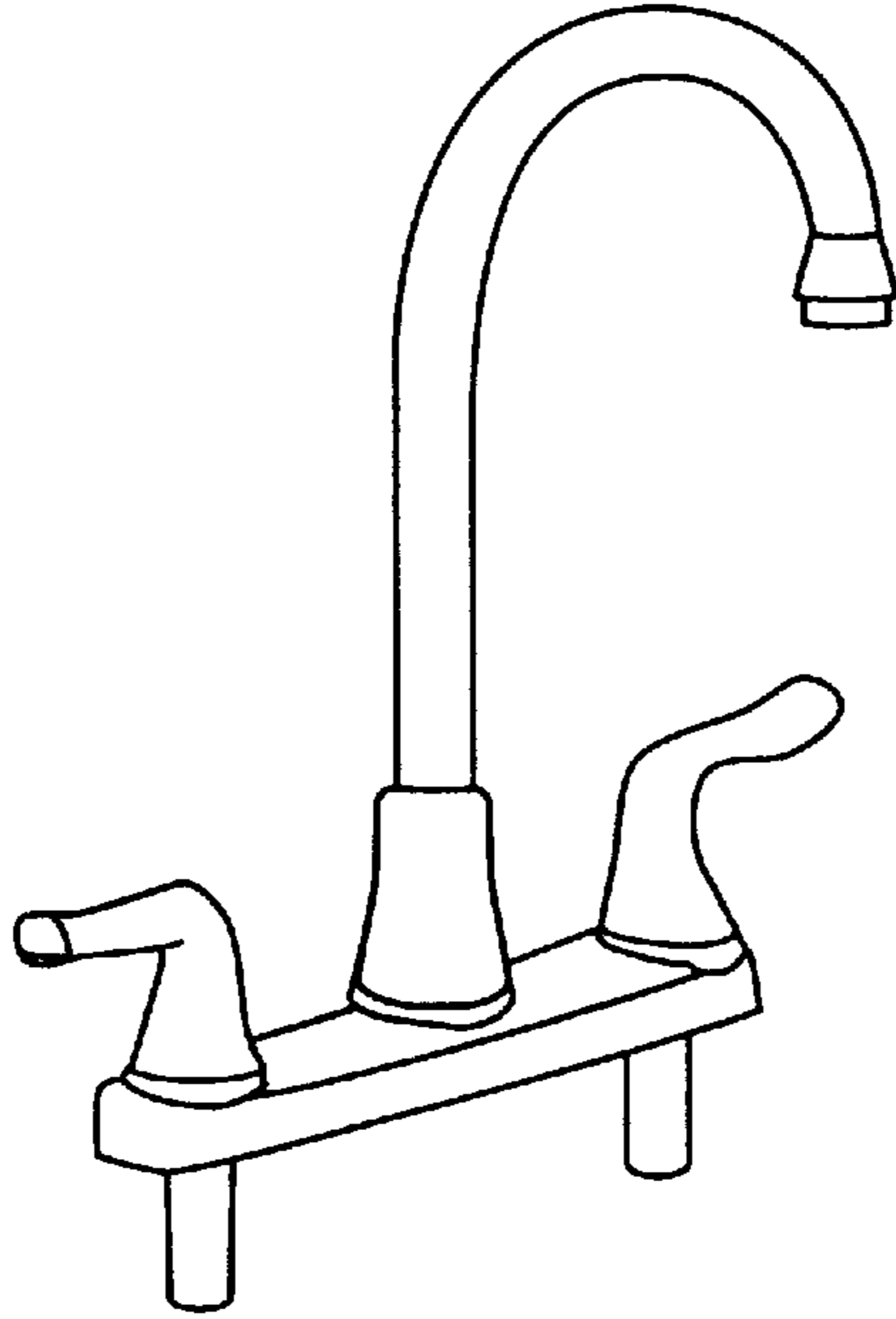


FIG. 2

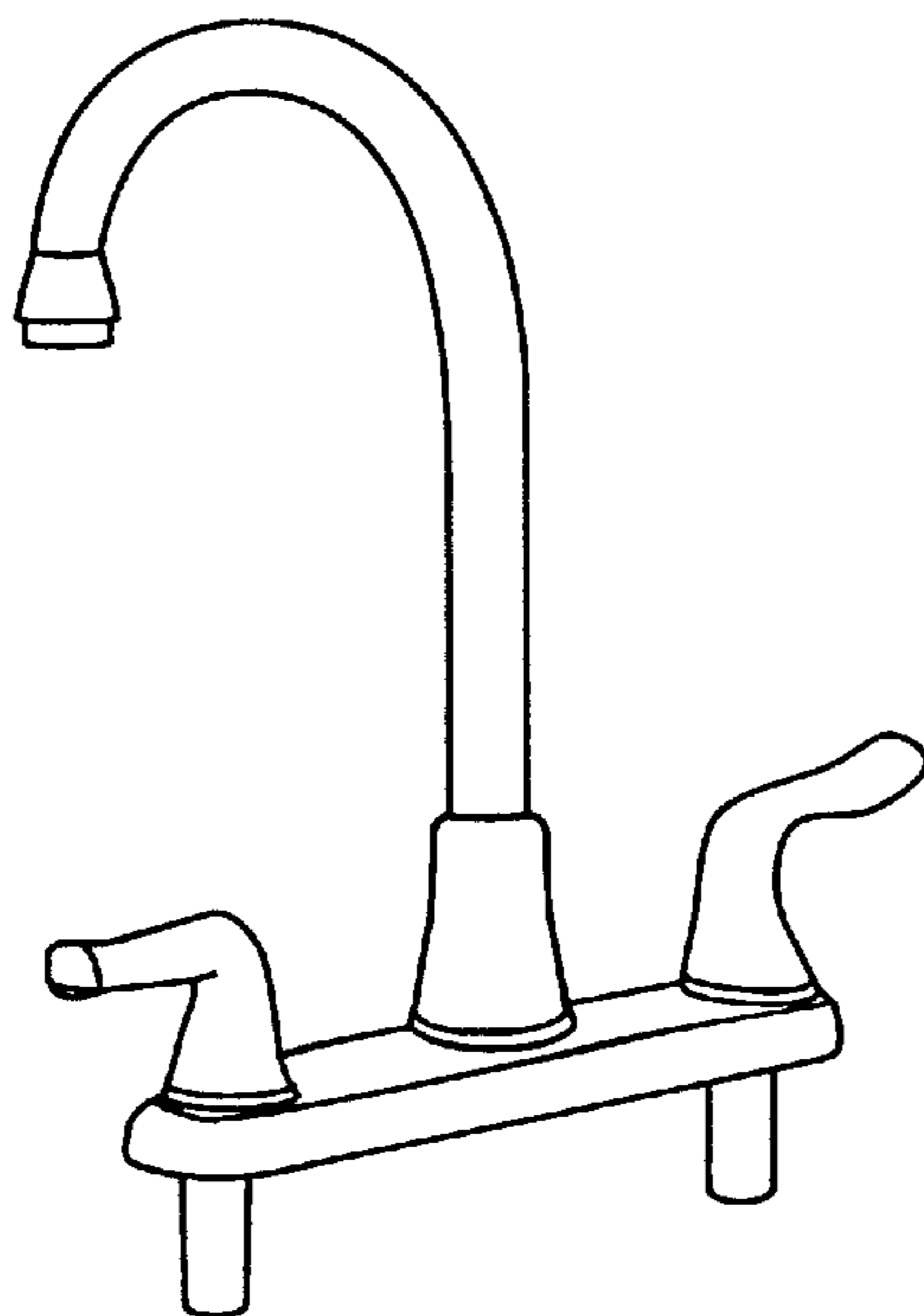


FIG. 3

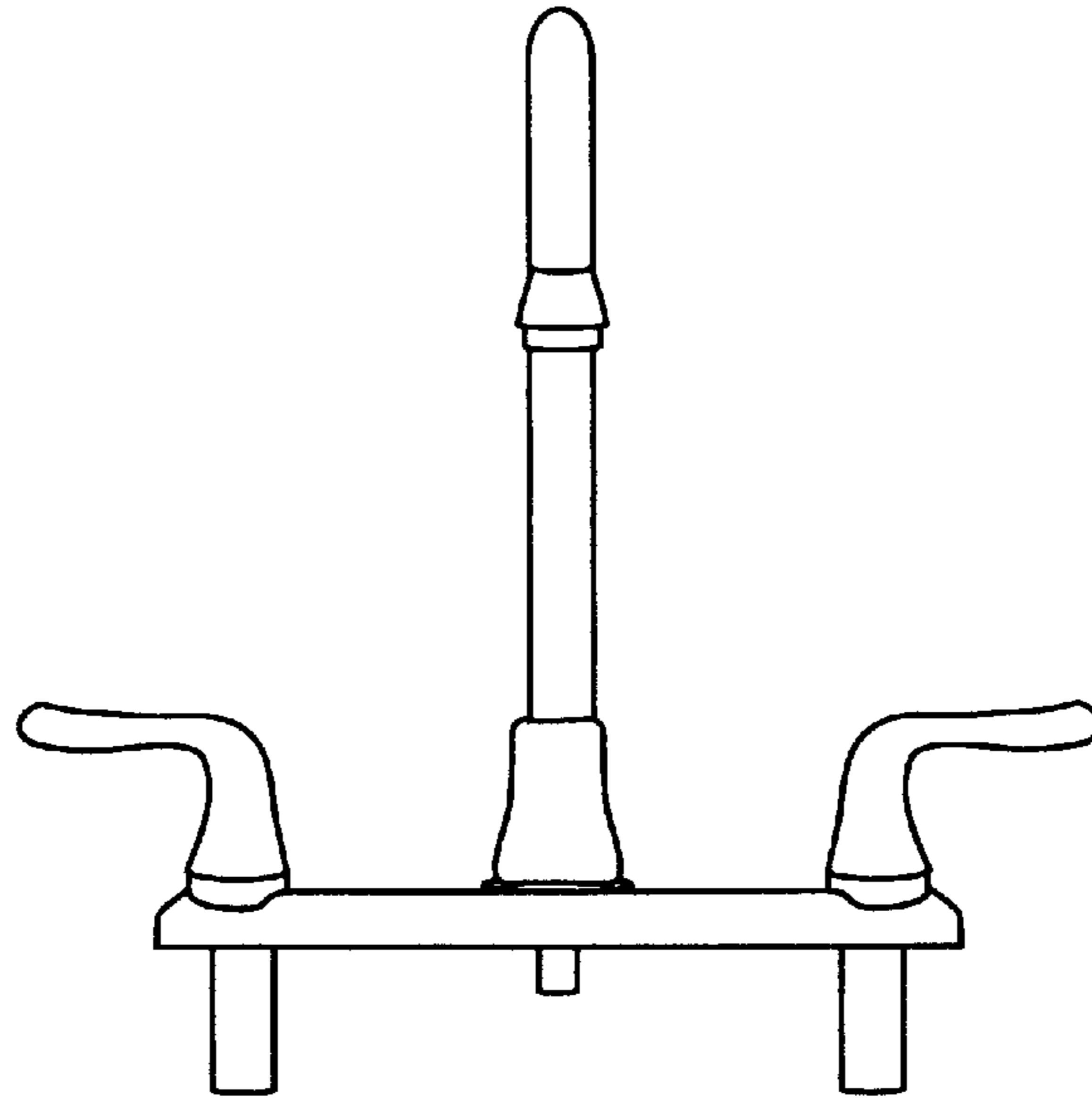


FIG. 4

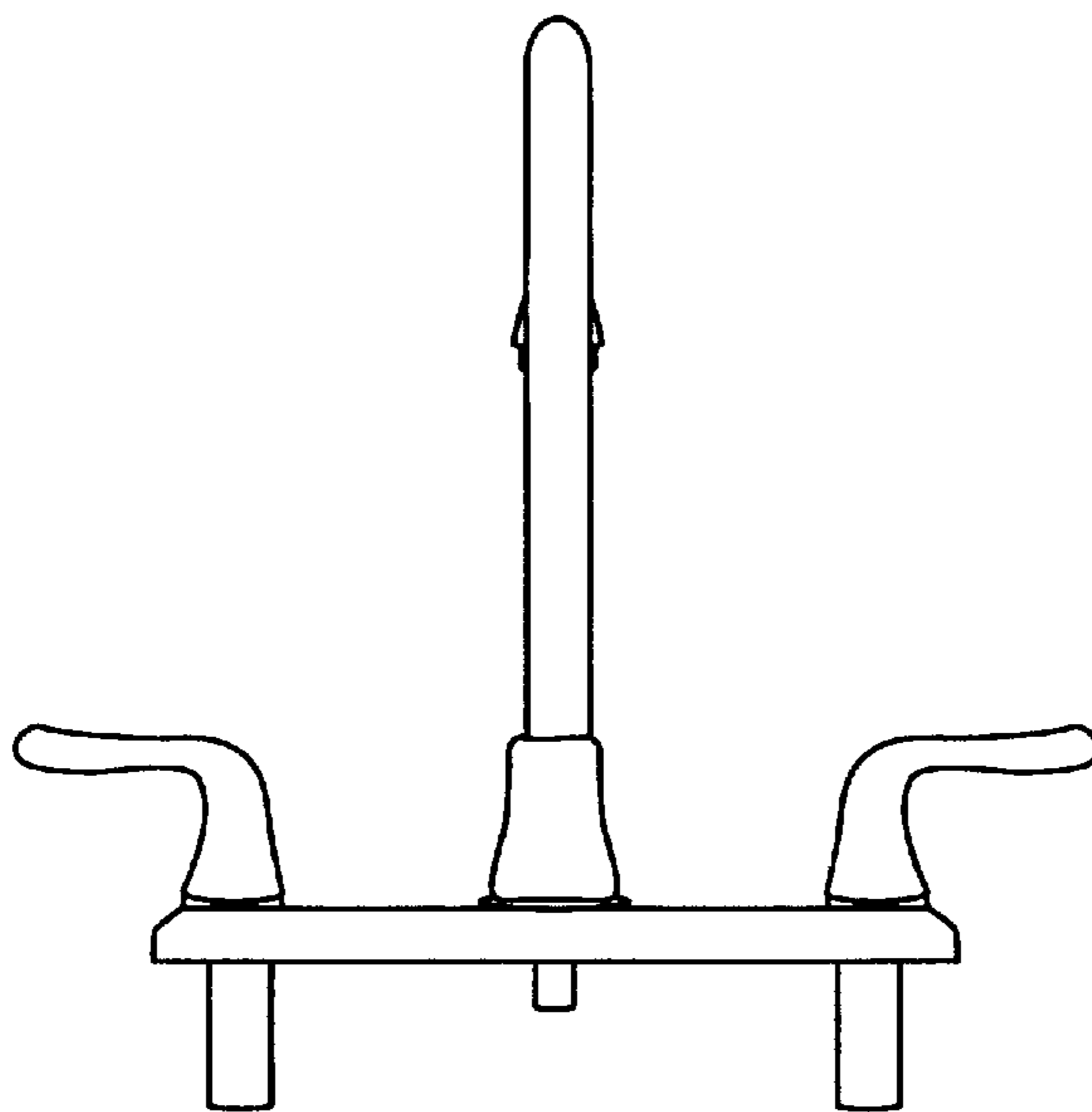


FIG. 5

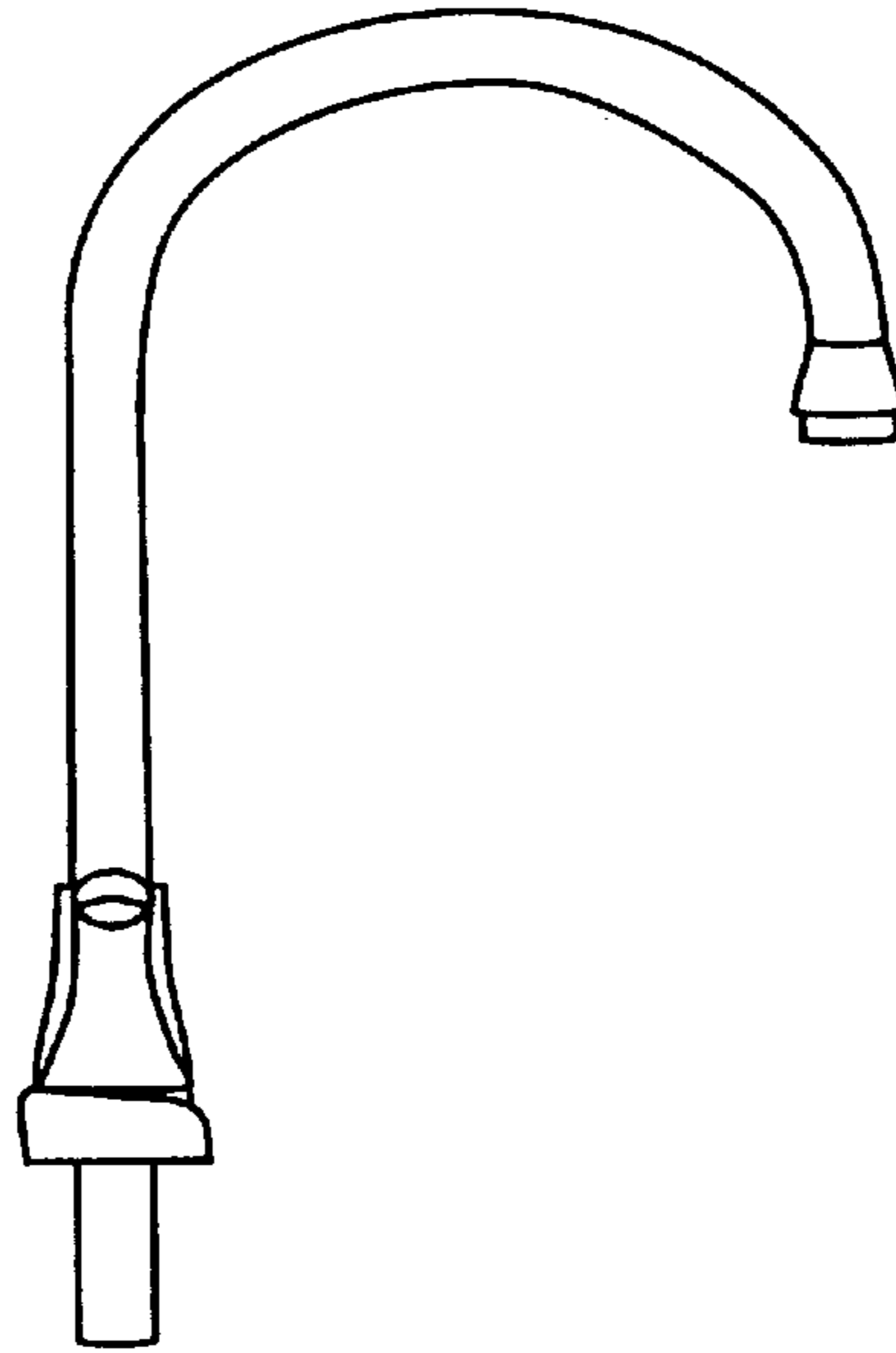


FIG. 6

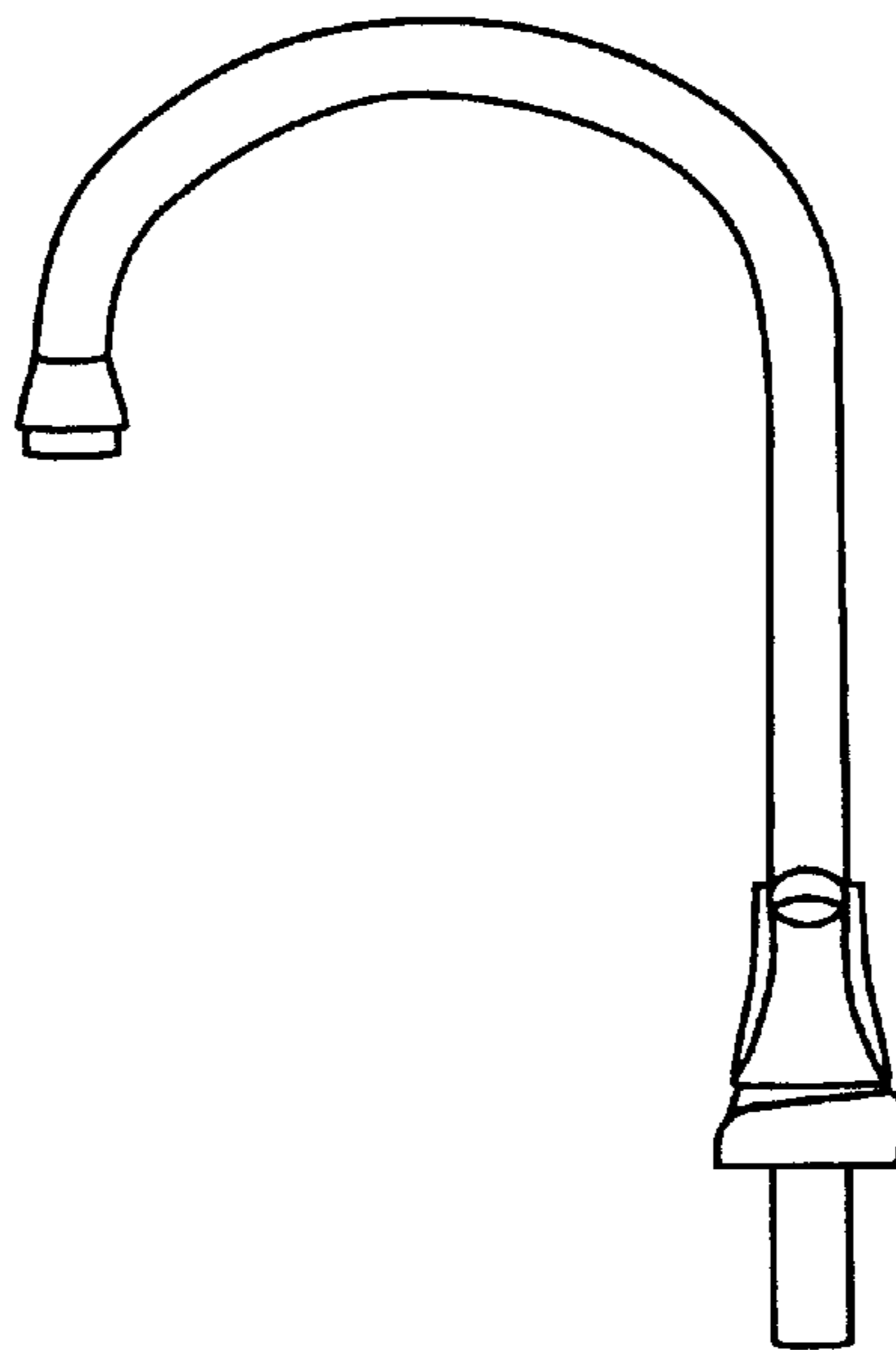


FIG. 7

